



Curved Shaft String Trimmer

Model No. 51952—260000001 & Up

Parts Catalog

Ordering Replacement Parts

To order replacement parts, please supply: the part number, the quantity, and the description of each part.

Understanding Reference Numbers

Each identified part in an illustration has a reference number. The reference number for a part also appears in the list, along with other information about the part.

Understanding Figure Numbers

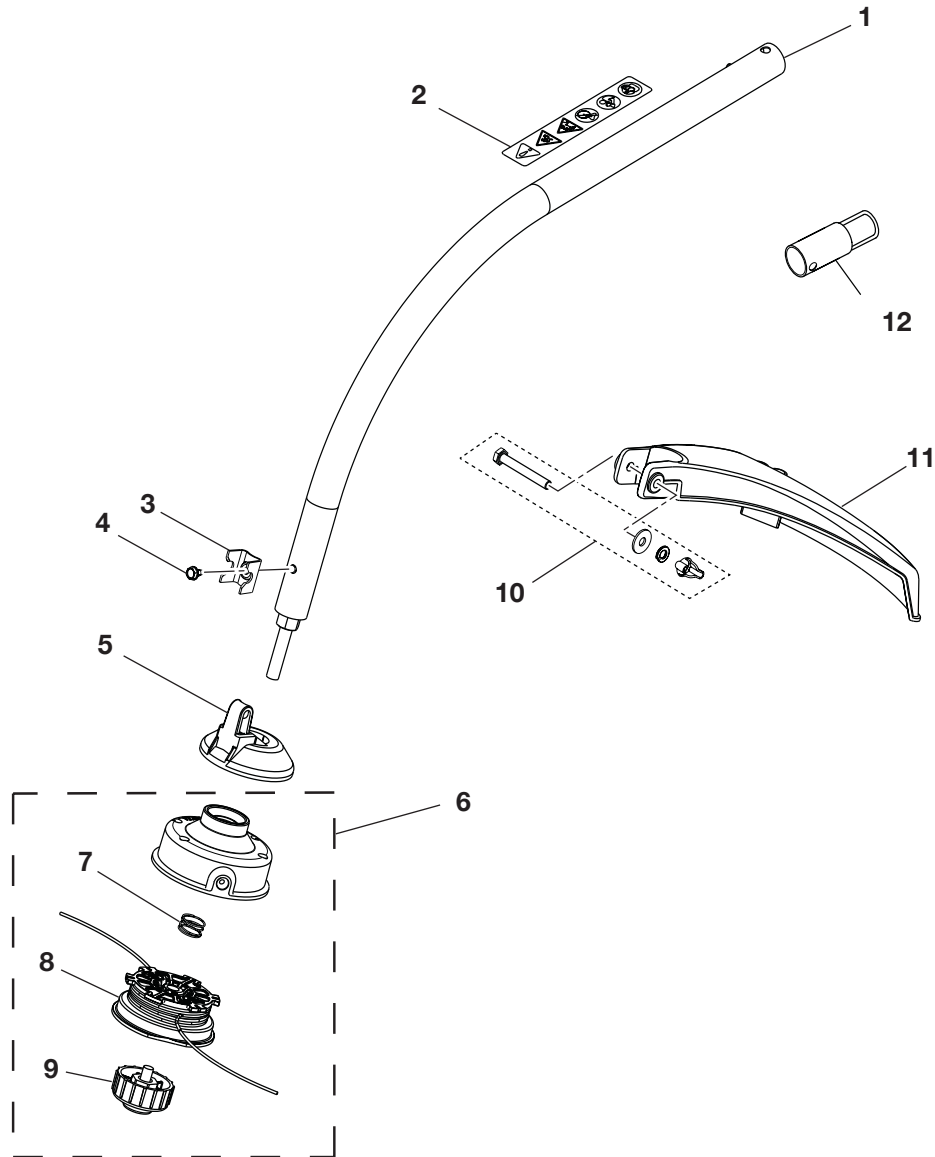
This catalog uses two special reference number formats, one to indicate parts in a service assembly and another to indicate a Figure Number.

Figure Numbers are represented as a Sub-Assembly which follow the exploded views.

Sub-Assemblies can be ordered as an Assembly or you may order any part individually.

TORO STRING TRIMMER – MODEL NUMBER 51952

FIGURE A

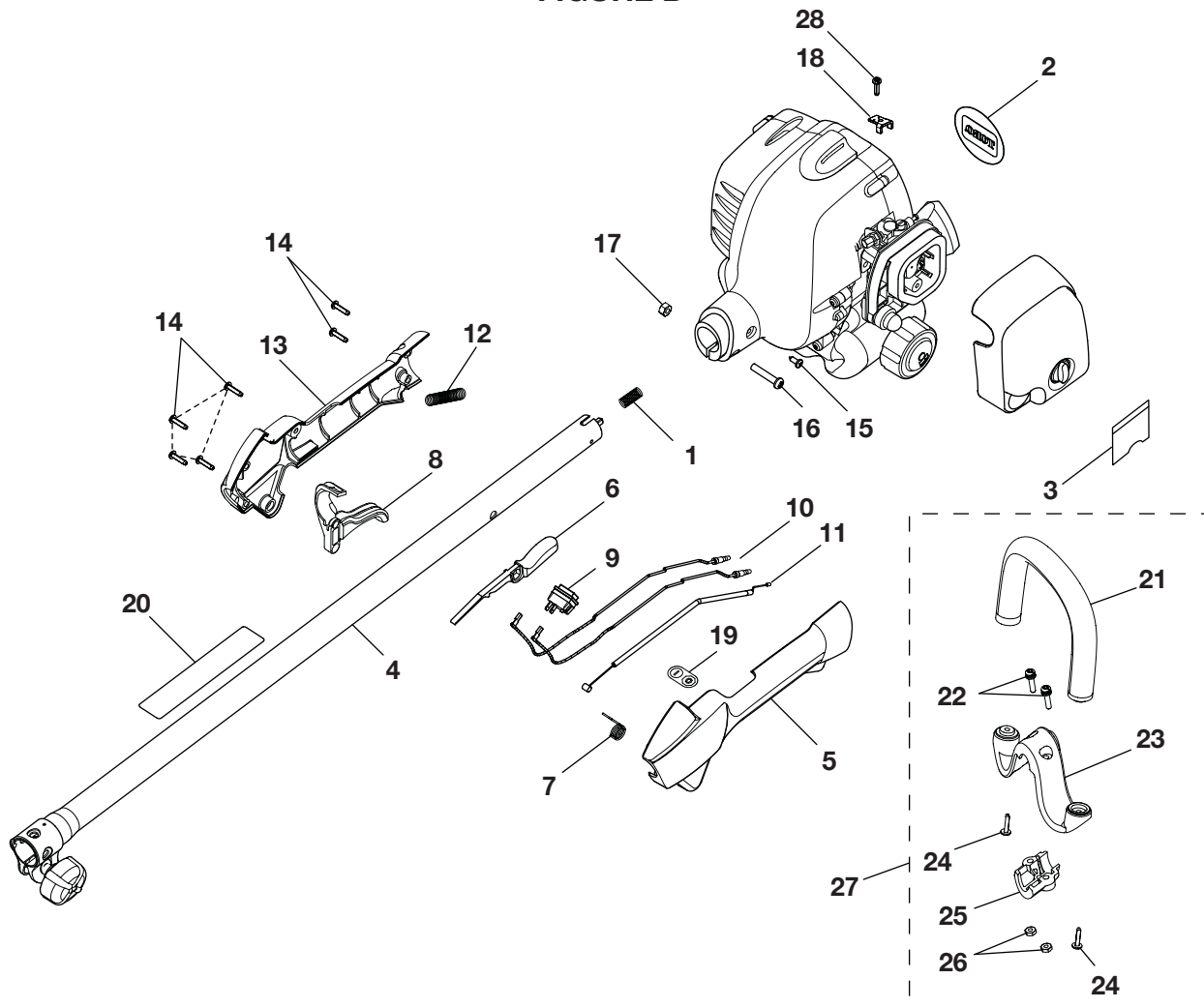


KEY PART NO. NUMBER	DESCRIPTION	QTY.
1	000998250 CURVED SHAFT ASSEMBLY (INC. KEY NO. 2).....	1
2	940230129 WARNING LABEL.....	1
3	638001001 CLAMP	1
4	660647001 SCREW (#10-32 X 3/8 in. HEX WASHER HEAD)	1
5	518127001 GRASS SHIELD.....	1
6	000998265 TRIMMER HEAD ASSEMBLY (.095) (INC. KEY NOS. 7-9).....	1
7	678022001 COMPRESSION SPRING.....	1
8	308044003 SPOOL WITH LINE (.095).....	1
9	308042002 RETAINING CAP, LEFT-HANDED THREAD	1
10	120650001 FASTENER PARTS KIT	1
11	308052001 GRASS DEFLECTOR ASSEMBLY	1
12	518019001 HANGER CAP	1

To locate a source for replacement parts,
contact us toll free at 1-866-574-9242 (US) or 1-866-574-9243 (Canada).

TORO STRING TRIMMER – MODEL NUMBER 51952

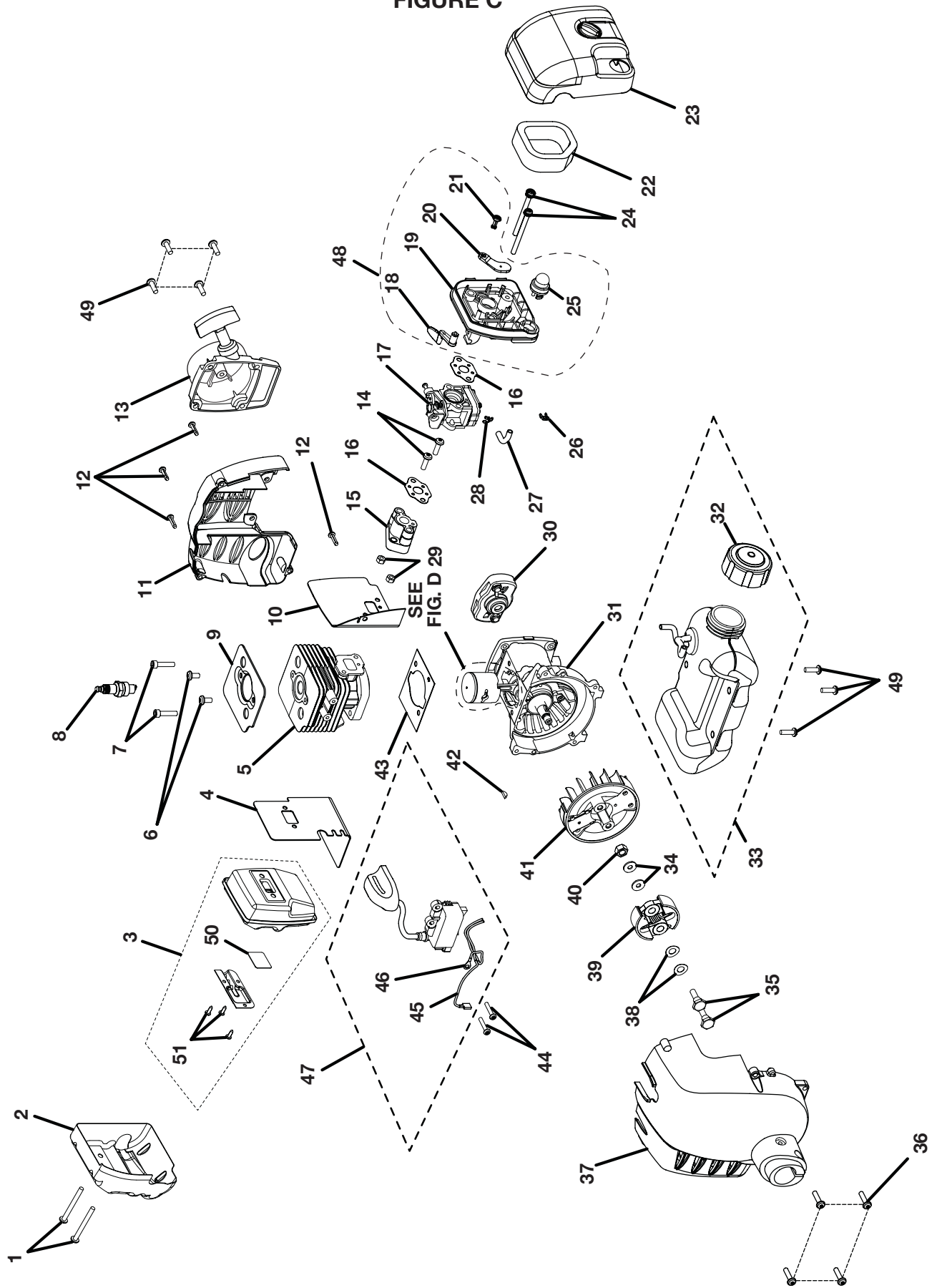
FIGURE B



KEY PART NO. NUMBER	DESCRIPTION	QTY.	KEY PART NO. NUMBER	DESCRIPTION	QTY.
1 690140011	COMPRESSION SPRING.....	1	16 T660697001	SCREW (M6 X 1-30 mm).....	1
2 950060008	LOGO PLATE.....	1	17 678029002	HEX NUT	1
3 940686004	LOWER START LABEL.....	1	18 638133001	THROTTLE CABLE CLAMP	1
4 000998234	UPPER SHAFT ASSEMBLY (INC. KEY NO. 20).....	1	19 940627017	ON/OFF LABEL.....	1
5 518122001	REAR HANDLE SUPPORT.....	1	20 940230129	WARNING LABEL	1
6 518125001	LOCK-OFF BUTTON.....	1	21 000998217	ASSIST HANDLE W/GRIP.....	1
7 690694002	TRIGGER SPRING	1	22 660653001	SCREW (#12-24 X 1 in. SEMS) ..	2
8 518124001	TRIGGER.....	1	23 518038001	M CLAMP.....	1
9 760394001	SWITCH WITH DUST SHIELD ..	1	24 660637001	SLOTTED TORX SCREW	2
10 770670001	LEAD	2	25 518020001	CLAMP.....	1
11 308225003	CABLE, THROTTLE.....	1	26 678106001	HEX NUT (12-24).....	2
12 518210004	CORRUGATED TUBE.....	1	27 308056001	ASSIST HANDLE ASSEMBLY ...	1
13 518123001	REAR HANDLE COVER	1	28 660734001	SCREW (M4 X 16 mm).....	1
14 660563002	SCREW (M4 X 16 mm).....	6	983000854	OPERATOR'S MANUAL	
15 660669001	SCREW (#8-16 X 1/2 in. TRI-LOBULAR).....	1	983000854R	REPAIR SHEET	

To locate a source for replacement parts, contact us toll free at 1-866-574-9242 (US) or 1-866-574-9243 (Canada).

FIGURE C



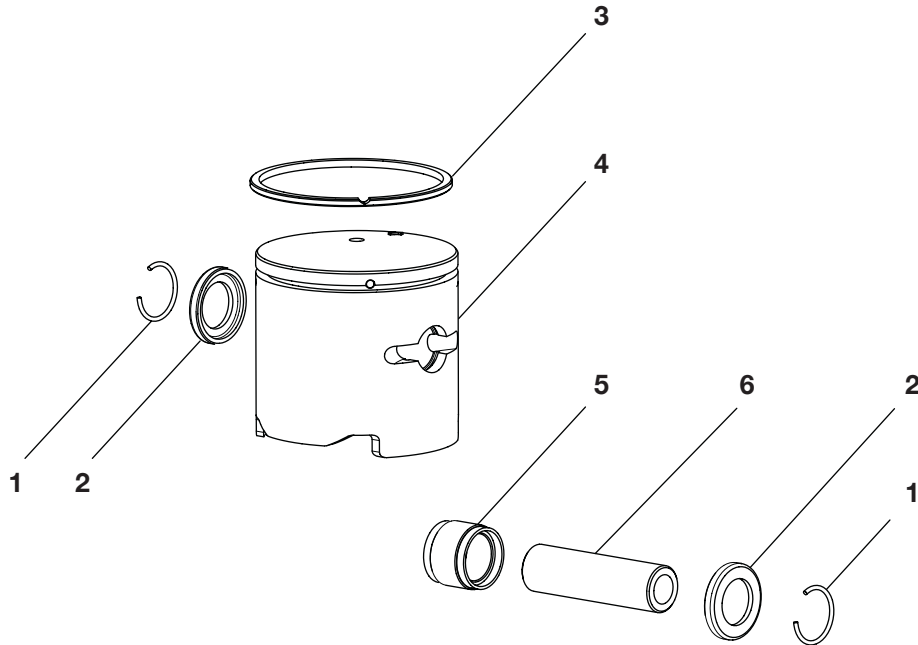
TORO STRING TRIMMER – MODEL NUMBER 51952

FIGURE C - PARTS LIST

KEY PART NO. NUMBER	DESCRIPTION	QTY.	KEY PART NO. NUMBER	DESCRIPTION	QTY.		
1	660347001	SCREW (M5 X 50 mm TORX SLOTTED RECESSED PAN HD.) ...	2	28	690699001	HOSE CLIP	1
2	638027002	HEAT SHIELD.....	1	29	690840001	NUT (M5 x .8 mm).....	2
3	300748015	MUFFLER ASSEMBLY	1	30	308004001	PULLEY ASSEMBLY	1
4	630002006	MUFFLER GASKET.....	1	31	300749004	CRANKCASE ASSEMBLY.....	1
5	640570016	CYLINDER	1	32	300758006	FUEL CAP ASSEMBLY	1
6	660351002	SCREW (M5 X 10 in. TORX RECESSED PAN HD.)	2	33	300757002	FUEL TANK ASSEMBLY (INCLUDES KEY NO. 32)	1
7	660342001	SCREW (M5 X 22 mm SOCKET HD.).....	2	34	690695001	WASHER.....	2
8	870170001	SPARK PLUG.....	1	35	660353001	CLUTCH SCREW.....	2
9	630002021	CYLINDER PLATE.....	1	36	660344001	SCREW (M5 X 20 mm TORX SLOTTED RECESSED PAN HD.) ...	4
10	900711006	INSULATOR GASKET	1	37	300754010	FRONT HOUSING ASSEMBLY	1
11	590470001	ENGINE HOUSING, REAR.....	1	38	690696001	CURVED WASHER	2
12	660563001	SCREW (M4 X 16 mm TORX RECESSED PAN HD.).....	4	39	300756001	CLUTCH ASSEMBLY	1
13	308430001	STARTER RECOIL ASSEMBLY	1	40	690689001	ROTOR NUT	1
14	660344003	SCREW (M5 X 31 mm Torx SLOTTED RECESSED PAN HD.) ...	2	41	640574001	ROTOR.....	1
15	518329001	HEAT DAM INSULATOR	1	42	690688001	WOODRUFF KEY (10 mm X 3 mm).....	1
16	900711003	CARBURETOR GASKET.....	2	43	900709001	GASKET	1
17	308480001	CARBURETOR ASSEMBLY	1	44	660349001	SCREW (M4 X 22 mm TORX SLOTTED RECESSED PAN HD.) ...	2
18	590458001	CHOKE LEVER.....	1	45	290143001	LEAD ASSEMBLY, BLACK.....	1
19	518130001	CARBURETOR PLATE	1	46	290143002	LEAD ASSEMBLY, RED.....	1
20	590946001	CHOKE PLATE	1	47	290178004	COIL BOOT ASSEMBLY (INCLUDES KEY NOS. 45 & 46).....	1
21	660345001	SCREW (M4 X 12 mm SLOTTED RECESSED PAN HD.)	1	48	308478001	FILTER HOUSING ASSEMBLY	1
22	560873001	ELEMENT.....	1	49	660351001	SCREW (M5 X 16 MM TORX SLOTTED).....	7
23	308207004	COVER ASSEMBLY	1	50	638268001	SCREEN.....	1
24	660346001	SCREW (M5 X 60 mm, SLOTTED RECESSED PAN HD. MACHINE)...	2	51	660870001	SCREW (RECESS PAN HD)	3
25	300780002	PRIMER ASSEMBLY	1	52	000998216	SPARK ARRESTOR KIT (NOT SHOWN INC. KEY NOS. 4, 50, AND 51).....	1
26	690700001	HOSE CLIP	1				
27	560880002	FUEL LINE.....	1				

To locate a source for replacement parts,
contact us toll free at 1-866-574-9242 (US) or 1-866-574-9243 (Canada).

FIGURE D



KEY PART NO.	PART NUMBER	DESCRIPTION	QTY.
1	690691001	WRIST PIN CLIP RING	2
2	690687001	WASHER	2
3	690161002	PISTON RING.....	1
4	640920002	PISTON.....	1
5	690686002	NEEDLE BEARING (ID 8 X 8.8).....	1
6	620301001	WRIST PIN.....	1

To locate a source for replacement parts,
 contact us toll free at 1-866-574-9242 (US) or 1-866-574-9243 (Canada).



OWT Industries, Inc.

P.O. Box 35
Highway 8
Pickens, SC 29671
USA

Customer Service Information

If your product requires service or maintenance,
contact your nearest authorized service dealer.

To locate your nearest authorized service dealer for this product,
contact us toll free at 1-866-574-9242 (US) or 1-866-574-9243 (Canada).