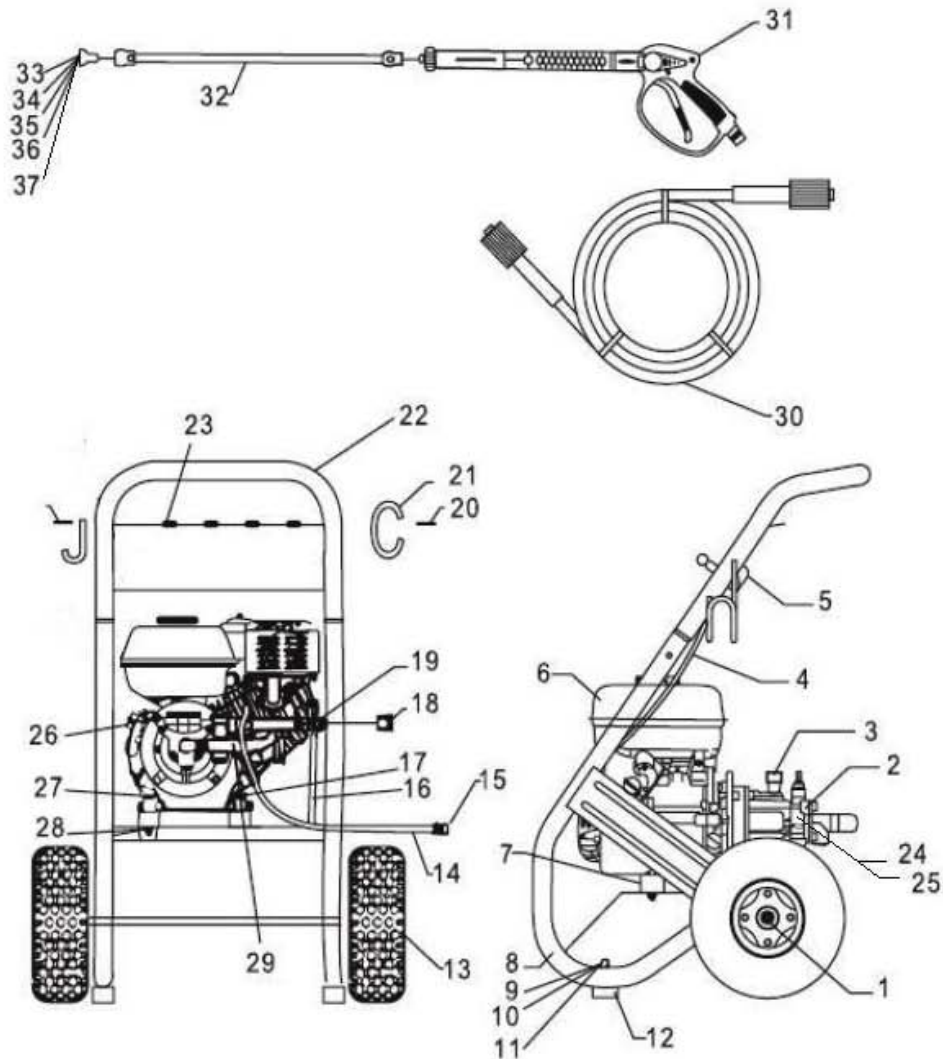


APW5102 PARTS LIST



Part Number	Description	NOTE
APW5102-G-1	Hub cap	
APW5102-G-2	Pump assembly	
APW5102-G-3	Inlet cover	
APW5102-G-4	Accelerator wire drawing	

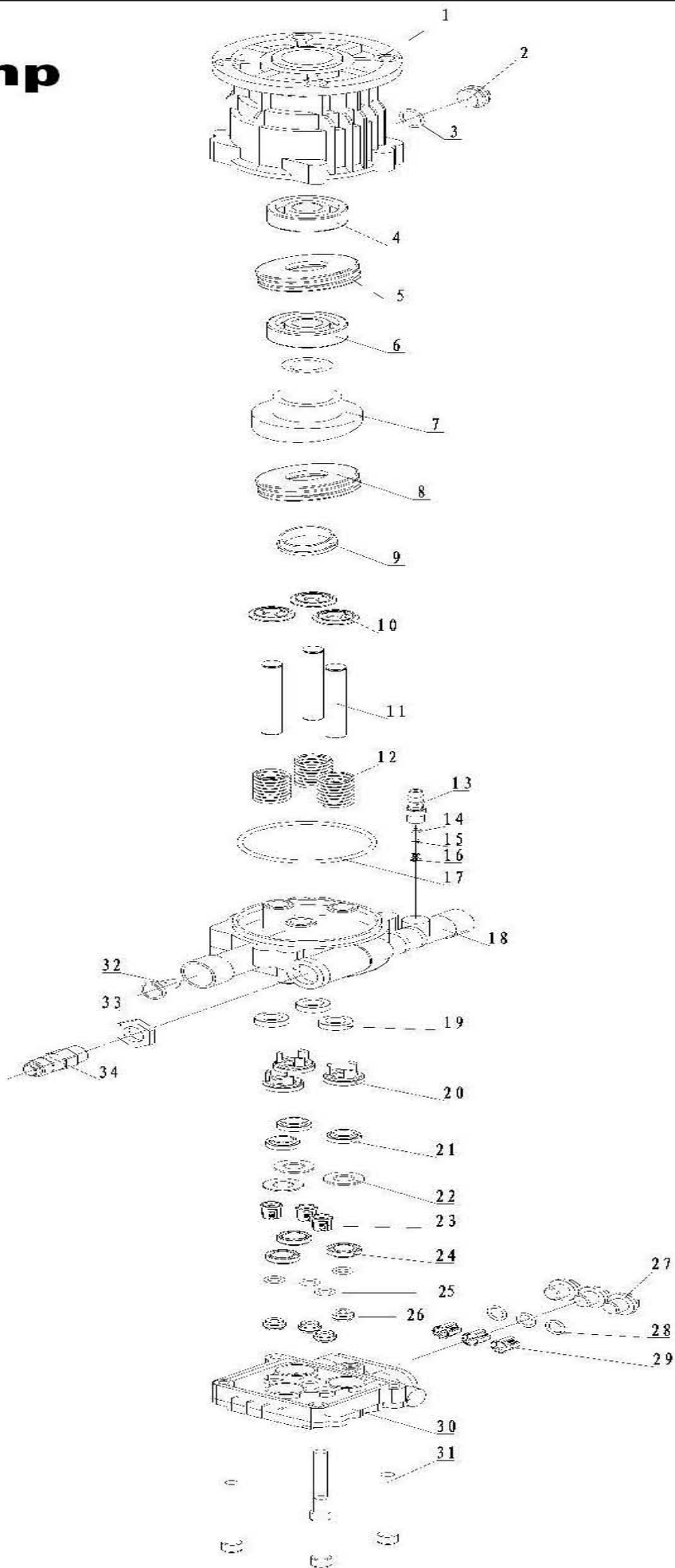
3000PSI PRESSURE WASHER

Part Number	Description	NOTE
APW5102-G-5	Component of accelerator control level	
APW5102-G-6	Engine	
APW5102-G-7	Isolator	
APW5102-G-8	Carriage	
APW5102-G-9	Nut	
APW5102-G-10	Plant	
APW5102-G-11	Bolt	
APW5102-G-12	Rubber foot	
APW5102-G-13	Wheel	
APW5102-G-14	Chemical hose	
APW5102-G-15	Chemical filter	
APW5102-G-16	Whiz bolt	
APW5102-G-17	Hose adapter	
APW5102-G-18	Nut	
APW5102-G-19	Nut lock	
APW5101-G-20	Screw	
APW5102-G-21	Vinyl cap	
APW5102-G-22	Handle	
APW5102-G-23	Grommet	

Part Number	Description	NOTE
APW5102-G-24	Thermal Relief Valve	
APW5102-G-25	Thermal Relief Cap	
APW5102-G-26	Oil fill pump cap	
APW5102-G-27	Bolt	
APW5102-G-28	Nut	
APW5102-G-29	Whip Hose	
APW5101-G-30	Hose	
APW5101-G-31	Gun assy.	
APW5102-G-32	Assy. Wand & quick connect	
APW5102-G-33	Nozzle black	INCLUDED IN ASSEMBLY APW5102-G-33-37
APW5102-G-34	Nozzle red	INCLUDED IN ASSEMBLY APW5102-G-33-37
APW5102-G-35	Nozzle yellow	INCLUDED IN ASSEMBLY APW5102-G-33-37
APW5102-G-36	Nozzle green	INCLUDED IN ASSEMBLY APW5102-G-33-37
APW5102-G-37	Nozzle white	INCLUDED IN ASSEMBLY APW5102-G-33-37

- **All repairs and part replacement should be performed by a qualified technician or service center. Some parts may not be available as single replacement.**

pump



PART NUMBER	DESCRIPTION	NOTE
APW5102-P-1	Connection Base	
APW5102-P-2	Hexangular Bolt	
APW5102-P-3	O-ring	
APW5102-P-4	Frame Oil Seal	
APW5102-P-5	Thrust Bearing	
APW5102-P-6	Bearing	
APW5102-P-7	Short Shaft	
APW5102-P-8	Thrust Bearing	
APW5102-P-9	Eccentric Bowl	
APW5102-P-10	Plunger Wedge	
APW5102-P-11	Plunger	
APW5102-P-12	Plunger Spring	
APW5102-P-13	Soap Input	
APW5102-P-14	O-ring	
APW5102-P-15	Steel Ball	
APW5102-P-16	Plunger Spring	
APW5102-P-17	O-ring	
APW5102-P-18	Pump Body	
APW5102-P-19	Oil Seal	
APW5102-P-20	Tripod plunger frame	
APW5102-P-21	Gasket	

3000PSI PRESSURE WASHER

PART NUMBER	DESCRIPTION	NOTE
APW5102-P-22	Gasket	
APW5102-P-23	Inlet valve	
APW5102-P-24	Water Seals	
APW5102-P-25	O-ring	
APW5102-P-26	Valve Cap	
APW5102-P-27	Bridge Pipe	
APW5102-P-28	O-ring	
APW5102-P-29	One-Way Valve	
APW5102-P-30	Pump Cover	
APW5102-P-31	Hexangular Bolt	
APW5102-P-32	Inlet Filter	
APW5102-P-33	Bridge Pipe	
APW5102-P-34	Overheat Protection	
APW5102-E-06	Recoil Stater Grip	
APW5102-E-05	Spark Plug	

- The last two digitals of the Part Number refer to the reference number in the picture.
- The last two parts which are APW5102-E-06 and APW5102-E-05 are the only offered parts of the engine.
- All repairs and part replacement should be performed by a qualified technician or service center. Some parts may not be available as single replacement.