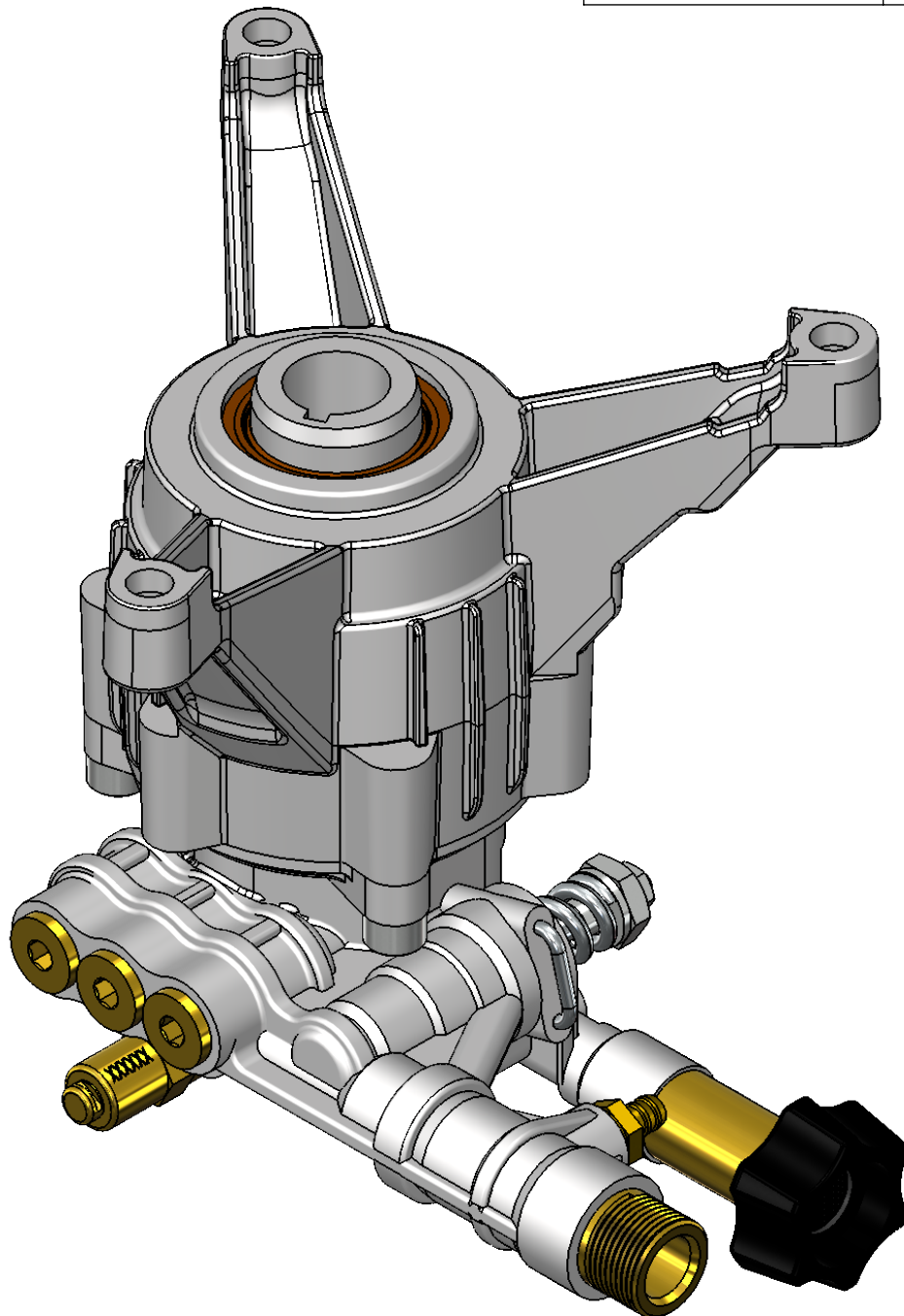


PHOENIX 28 SERIES AXIAL PUMP IPL

PUMPS COVERED IN THIS IPL

510020

2.4GPM @ 3000PSI



	NAME	DATE
DRAWN	JHS	AUG 2017
CHECKED	DH/OSW	AUG 2017
ENG APPR.	OSW	AUG 2017
MFG APPR.	-	-
Q.A. APPR.	-	-
SERVICE APPR.	DH	AUG 2017

PROPRIETARY AND CONFIDENTIAL
 THE INFORMATION CONTAINED IN THIS DRAWING IS THE SOLE PROPERTY OF FNA-GROUP. ANY REPRODUCTION IN PART OR AS A WHOLE WITHOUT THE WRITTEN PERMISSION OF FNA-GROUP IS PROHIBITED.

FNA-GROUP

1265 INDUSTRIAL STREET, DECATUR, AR 72722

TITLE:

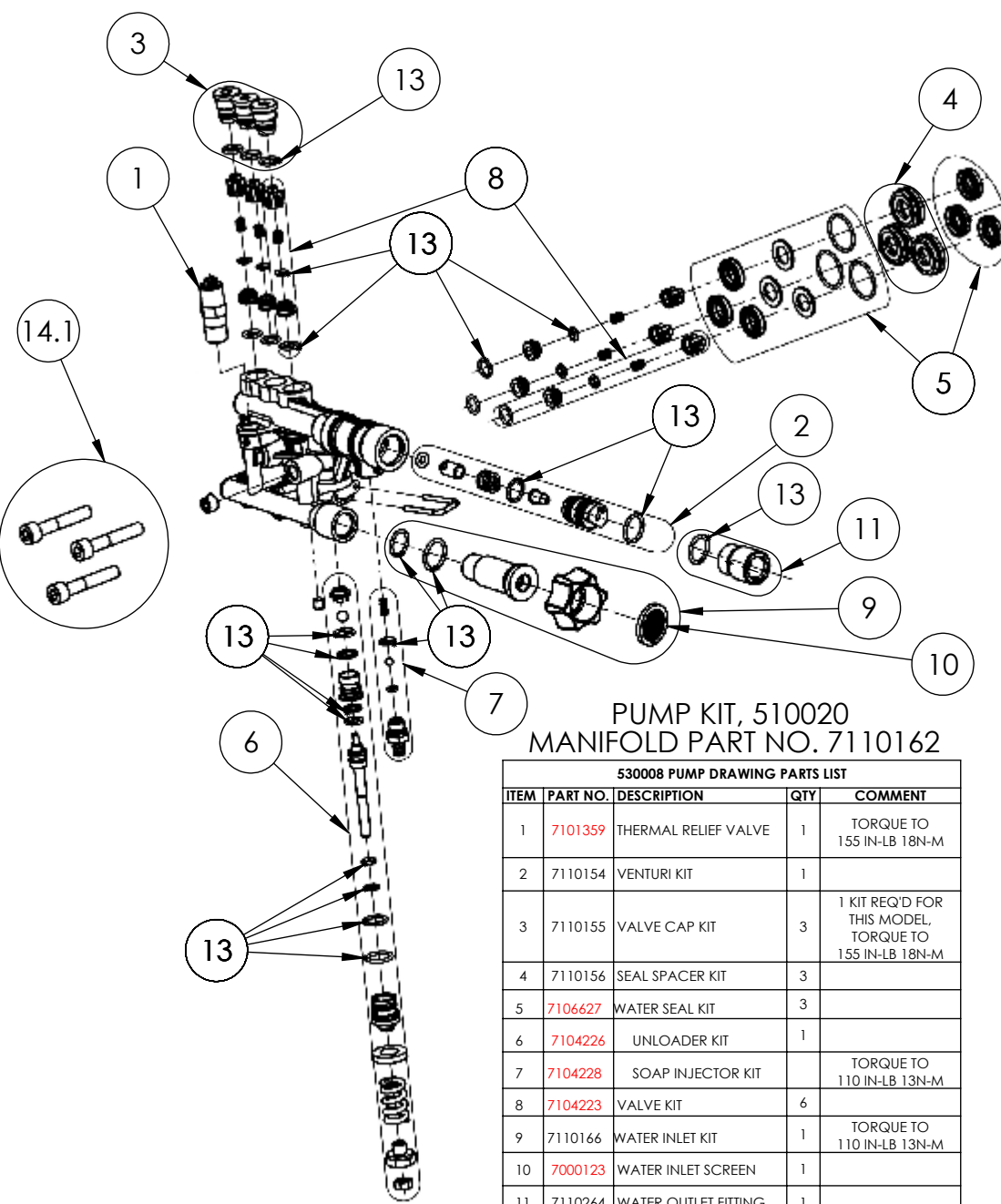
510020 VERTICAL AXIAL PUMP IPL

SIZE	DWG. NO.	REV.
A	510020	A

SCALE: N/A | ECN# DC17-0255

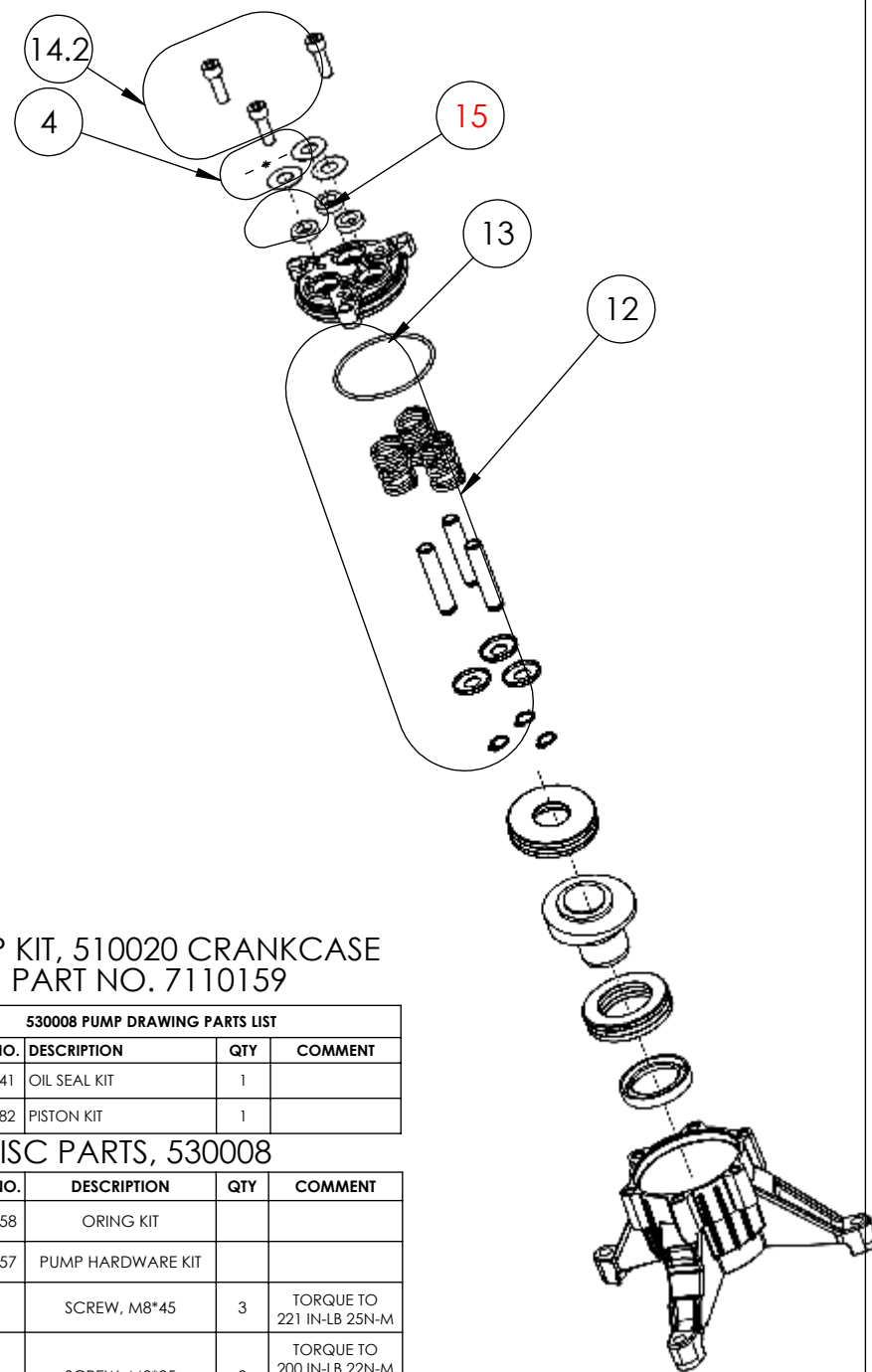
SHEET 1 OF 2

Version: -



PUMP KIT, 510020
MANIFOLD PART NO. 7110162

530008 PUMP DRAWING PARTS LIST				
ITEM	PART NO.	DESCRIPTION	QTY	COMMENT
1	7101359	THERMAL RELIEF VALVE	1	TORQUE TO 155 IN-LB 18N-M
2	7110154	VENTURI KIT	1	
3	7110155	VALVE CAP KIT	3	1 KIT REQ'D FOR THIS MODEL, TORQUE TO 155 IN-LB 18N-M
4	7110156	SEAL SPACER KIT	3	
5	7106627	WATER SEAL KIT	3	
6	7104226	UNLOADER KIT	1	
7	7104228	SOAP INJECTOR KIT		TORQUE TO 110 IN-LB 13N-M
8	7104223	VALVE KIT	6	
9	7110166	WATER INLET KIT	1	TORQUE TO 110 IN-LB 13N-M
10	7000123	WATER INLET SCREEN	1	
11	7110264	WATER OUTLET FITTING	1	



PUMP KIT, 510020 CRANKCASE
PART NO. 7110159

530008 PUMP DRAWING PARTS LIST				
ITEM	PART NO.	DESCRIPTION	QTY	COMMENT
15	7105741	OIL SEAL KIT	1	
12	7110182	PISTON KIT	1	

MISC PARTS, 530008

ITEM	PART NO.	DESCRIPTION	QTY	COMMENT
13	7110158	ORING KIT		
14	7110157	PUMP HARDWARE KIT		
14.1		SCREW, M8*45	3	TORQUE TO 221 IN-LB 25N-M
14.2		SCREW, M8*25	3	TORQUE TO 200 IN-LB 22N-M (CONTAINS 1 EXTRA SCREW)