



# Illustrated Parts List

## Model Series

# 206400

TYPE NUMBERS  
0035 through 0130.

### TABLE OF CONTENTS

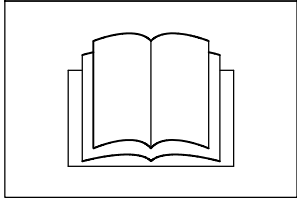
Air Cleaner .....	5
Alternator .....	10
Blower Housing/Shrouds .....	6
Camshaft .....	2
Carburetor .....	4
Controls .....	7
Crankcase Cover .....	2
Crankshaft .....	2
Cylinder .....	2
Cylinder Head .....	3
Electric Starter .....	9
Exhaust System .....	5
Flywheel .....	6
Fuel Supply .....	8
Gasket Set - Engine .....	3
Gasket Set - Valve .....	3
Gear Reduction .....	9
Governor Spring .....	7
Ignition .....	10
Kit - Carburetor Overhaul .....	4
Lubrication .....	2
Operator's Manual .....	2
Piston/Rings/Connecting Rod .....	2
Rewind Starter .....	6
Valves .....	3
Warning Label .....	2



PRINTED IN U.S.A.

COPYRIGHT by BRIGGS & STRATTON CORPORATION  
All rights reserved. No part of this material may be reproduced or transmitted, in any form or by any means, electronic or mechanical, including photocopying, recording or by any information storage and retrieval system, without permission in writing from Briggs & Stratton Corporation.

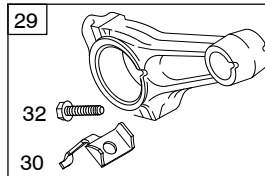
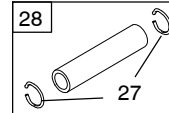
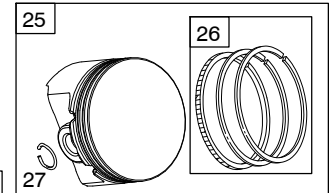
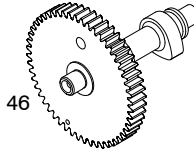
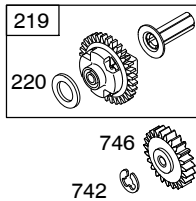
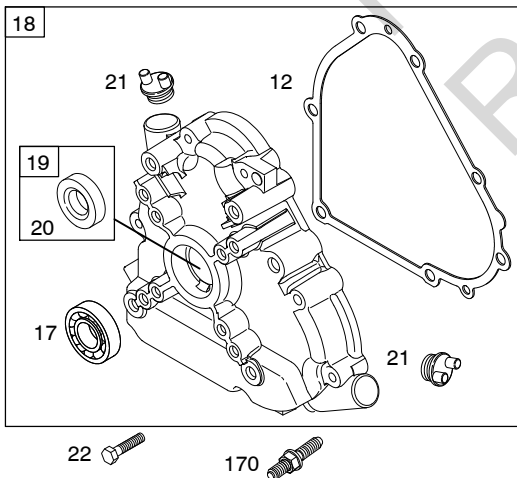
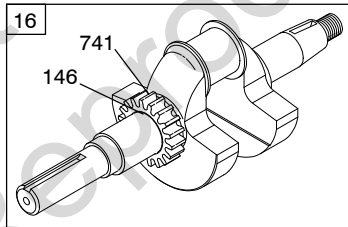
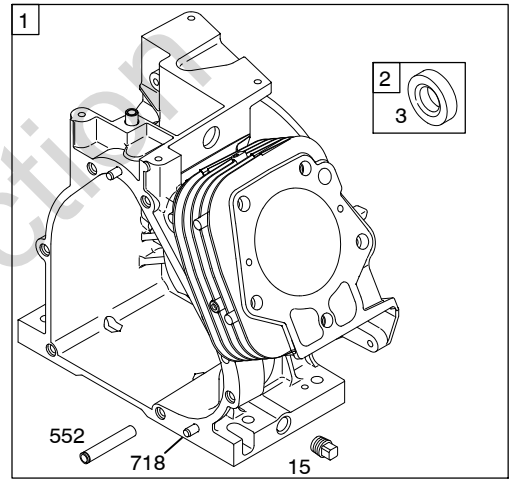
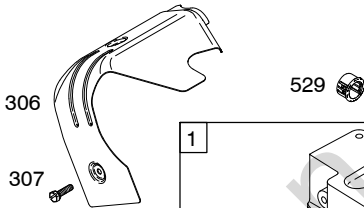
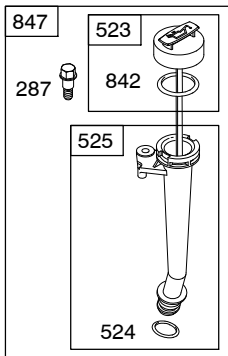
1058 OPERATOR'S MANUAL



1319 WARNING LABEL

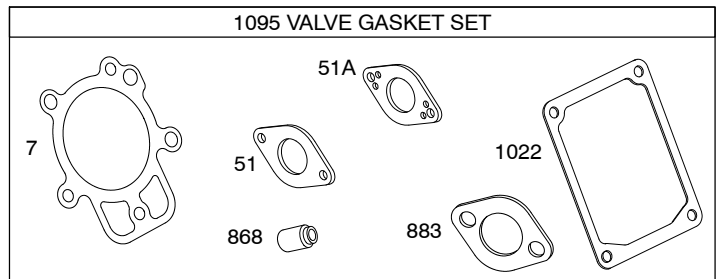
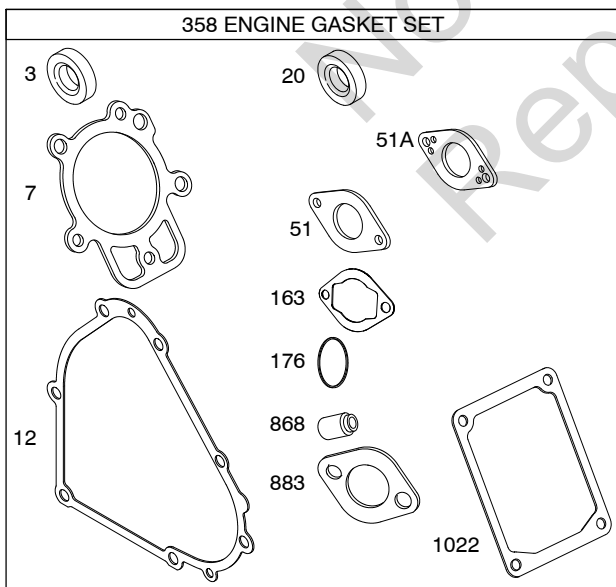
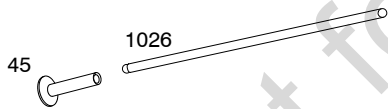
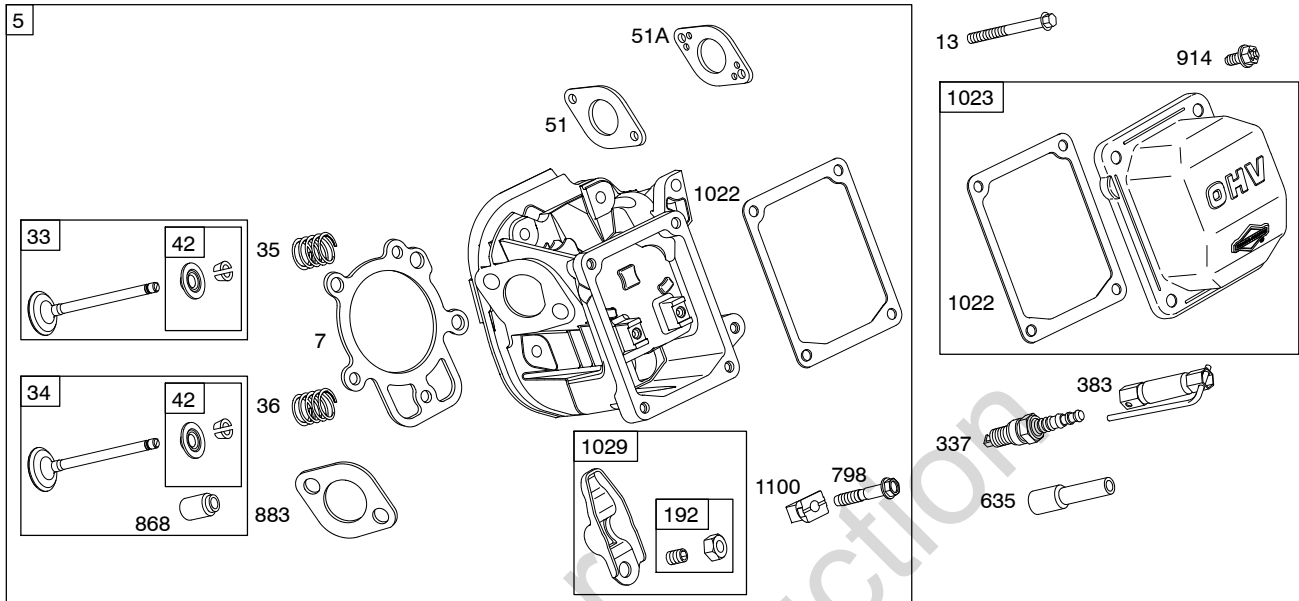
<b>WARNING</b>	
	Read and follow Operating Instructions before running engine.
	Gasoline is flammable. Allow engine to cool at least 2 minutes before refueling.
	Engines emit carbon monoxide, DO NOT run in enclosed area.
	Muffler area temperature may exceed 150°F. Do not touch hot parts.

**REQUIRED** when replacing parts with warning labels affixed.



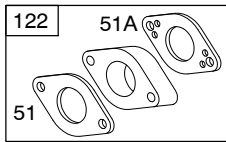
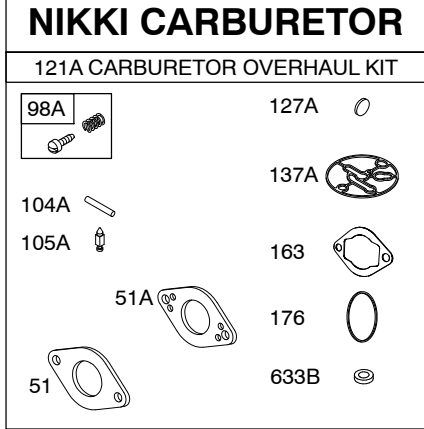
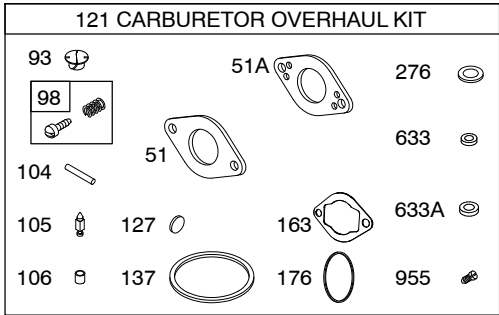
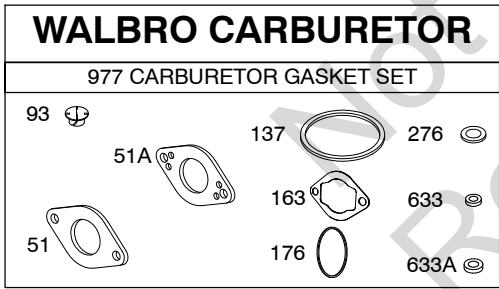
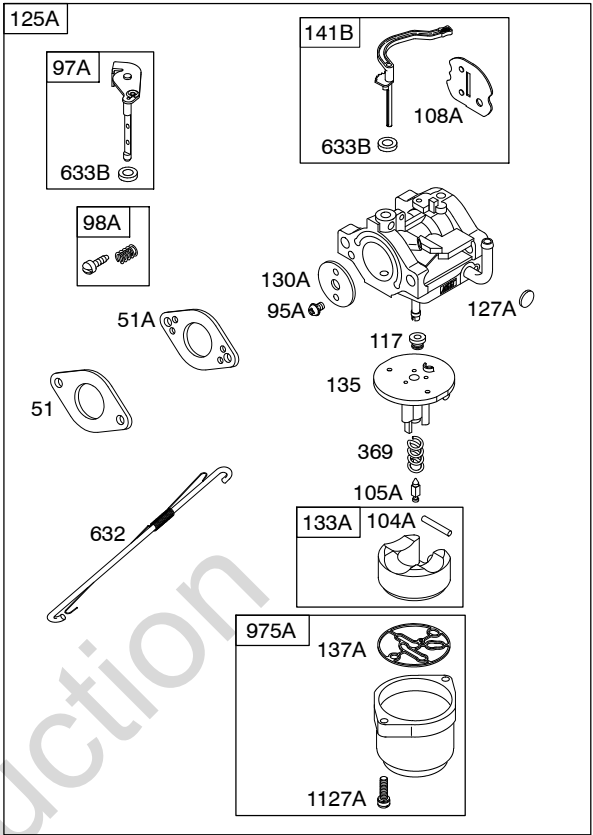
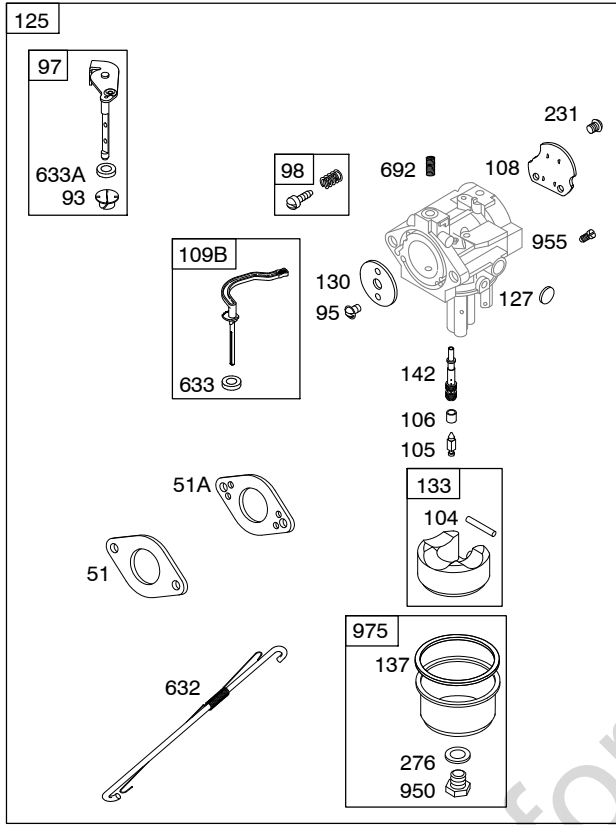
718A

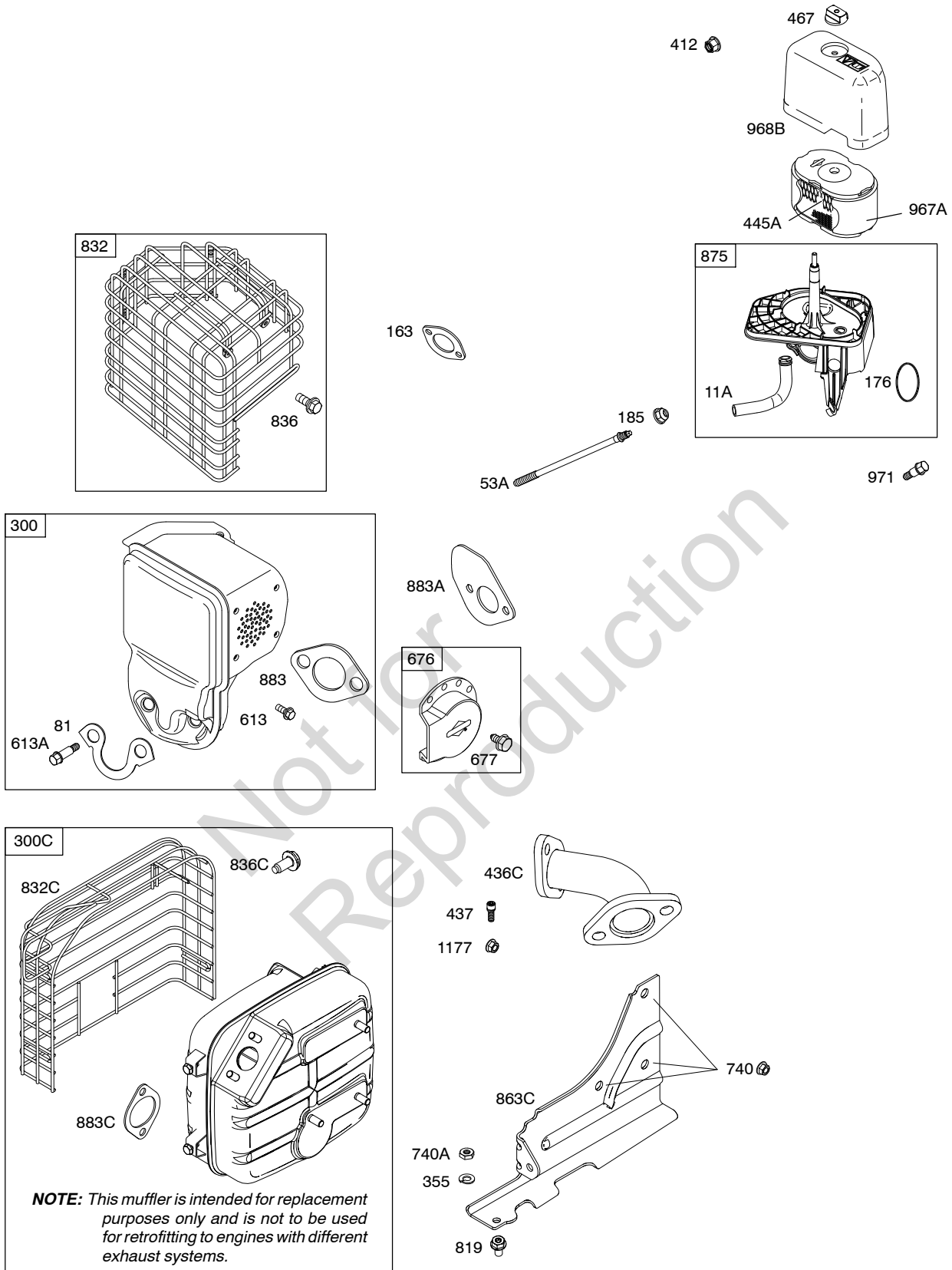
Illustrations cover a range of engines. Parts shown without corresponding text may not be used on your specific engine.  
 6451-2 Assemblies include all parts shown in frames. 08/04/2009



Illustrations cover a range of engines. Parts shown without corresponding text may not be used on your specific engine.  
 6451-3 Assemblies include all parts shown in frames. 08/04/2009

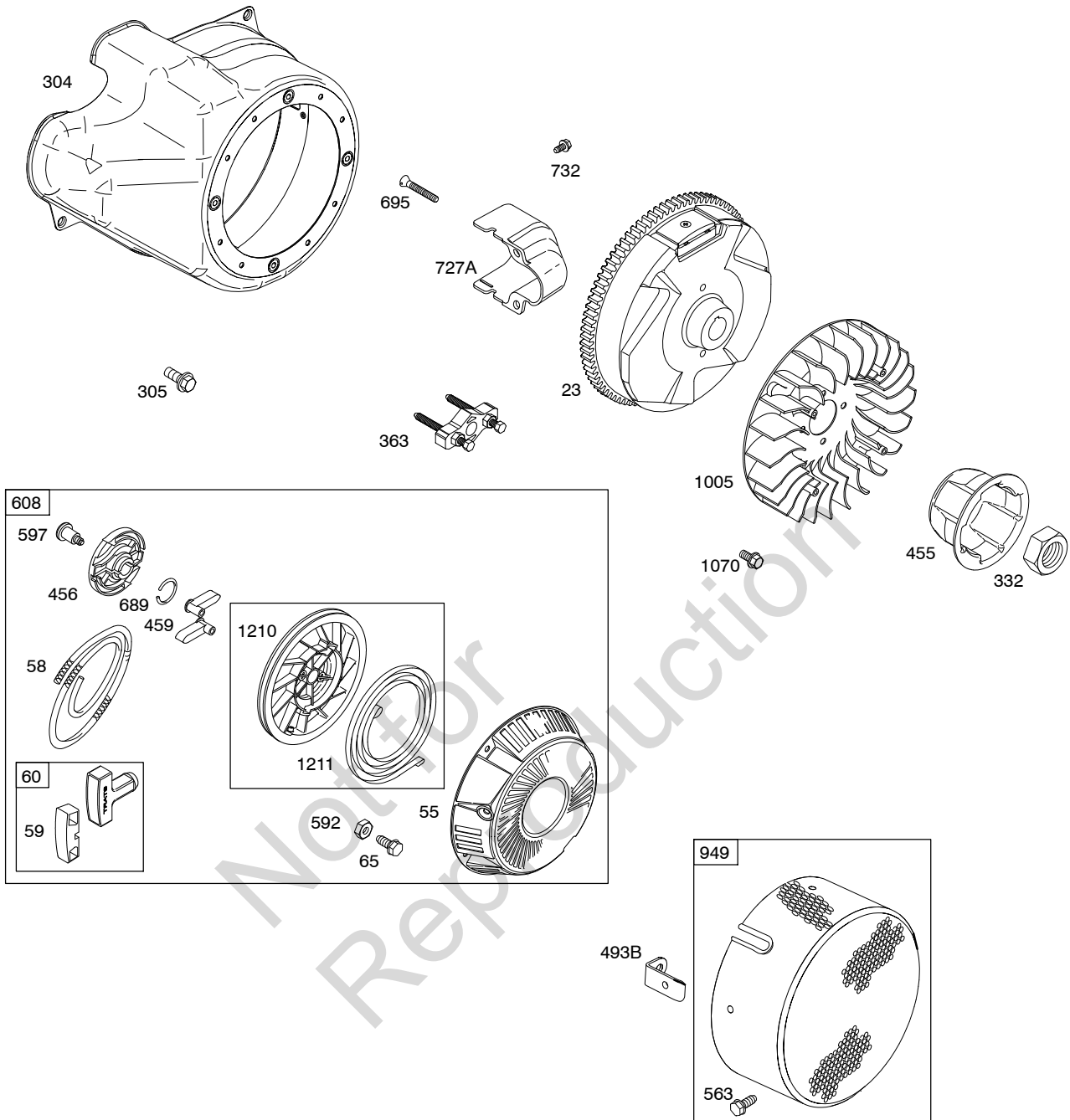
GHOSTED PARTS ARE NOT SERVICEABLE  
AND ARE SHOWN FOR REFERENCE ONLY.



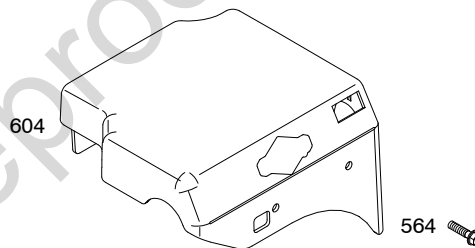
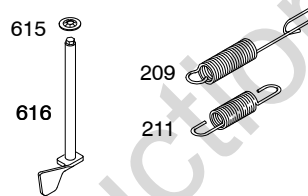
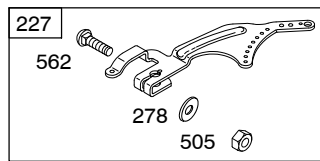
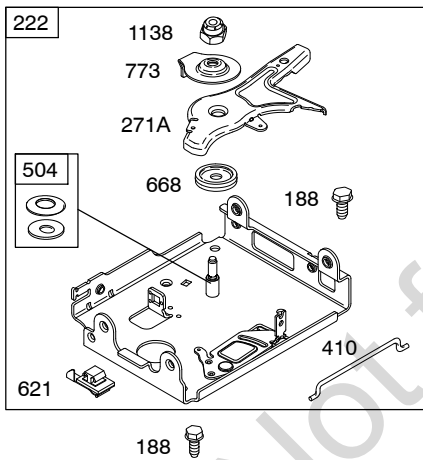
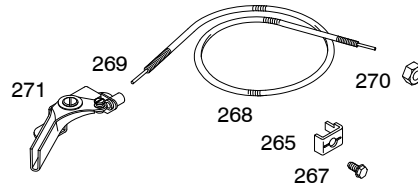
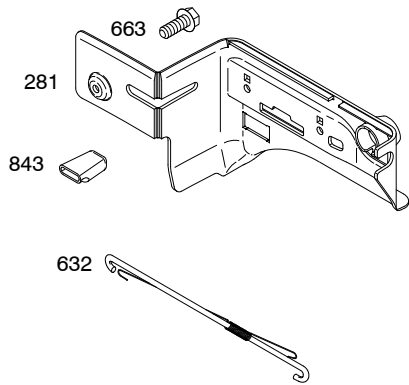


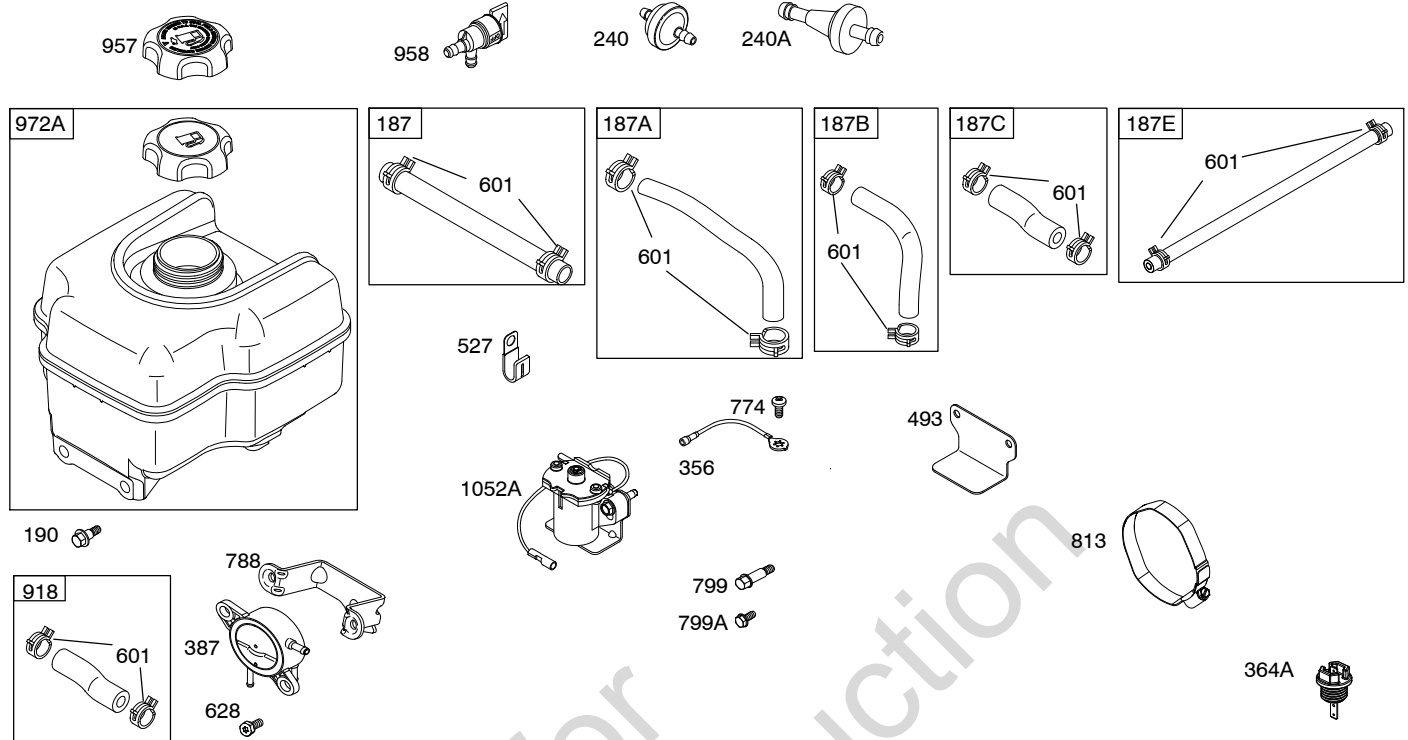
Illustrations cover a range of engines. Parts shown without corresponding text may not be used on your specific engine.  
 6451-5 Assemblies include all parts shown in frames. 08/04/2009

1036 EMISSIONS LABEL



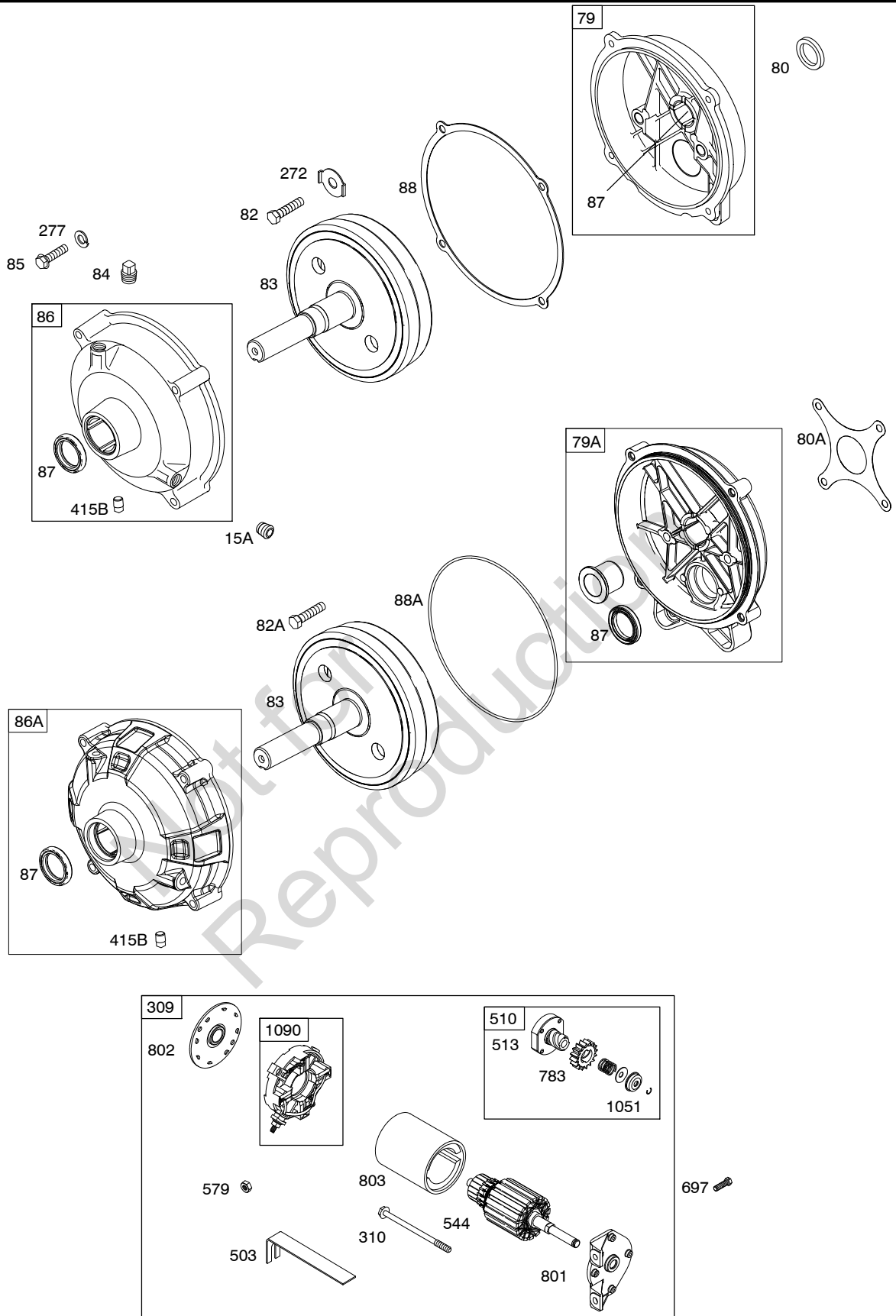
Illustrations cover a range of engines. Parts shown without corresponding text may not be used on your specific engine.  
6451-6 Assemblies include all parts shown in frames. 08/04/2009



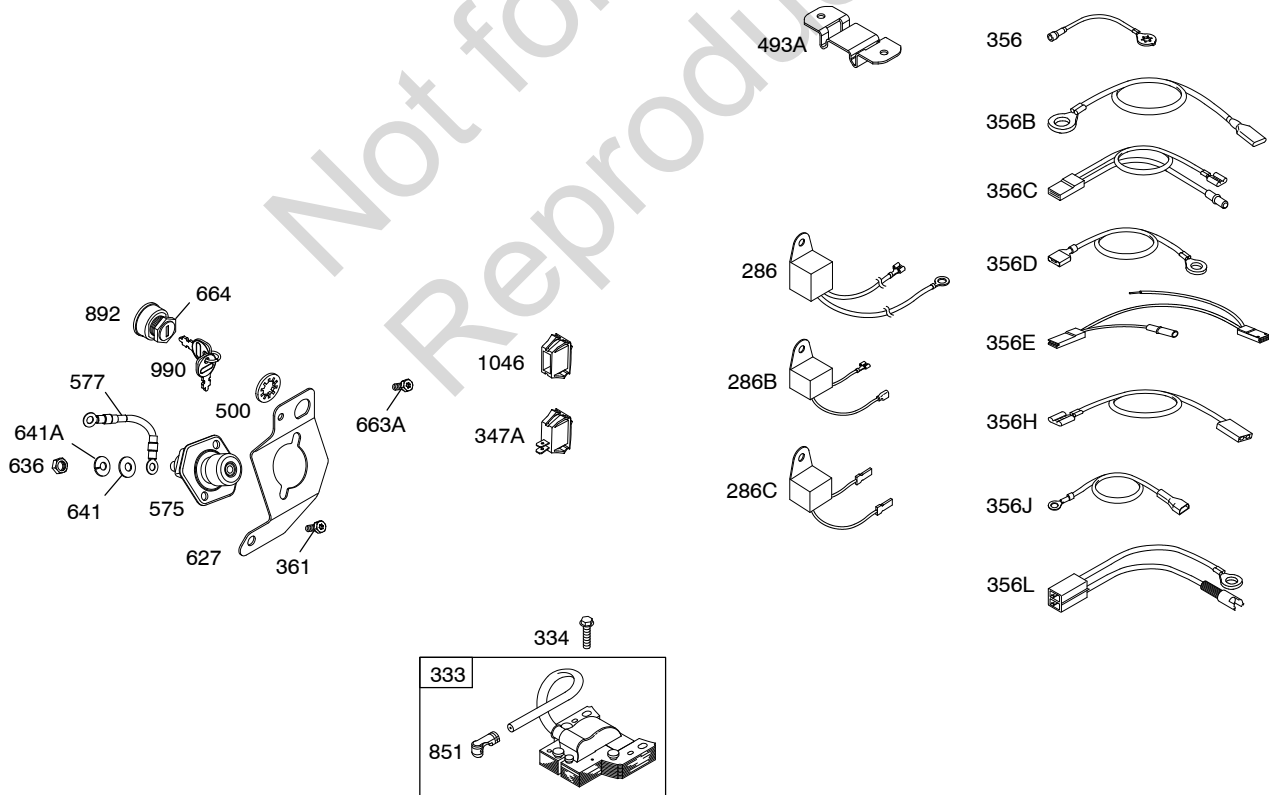
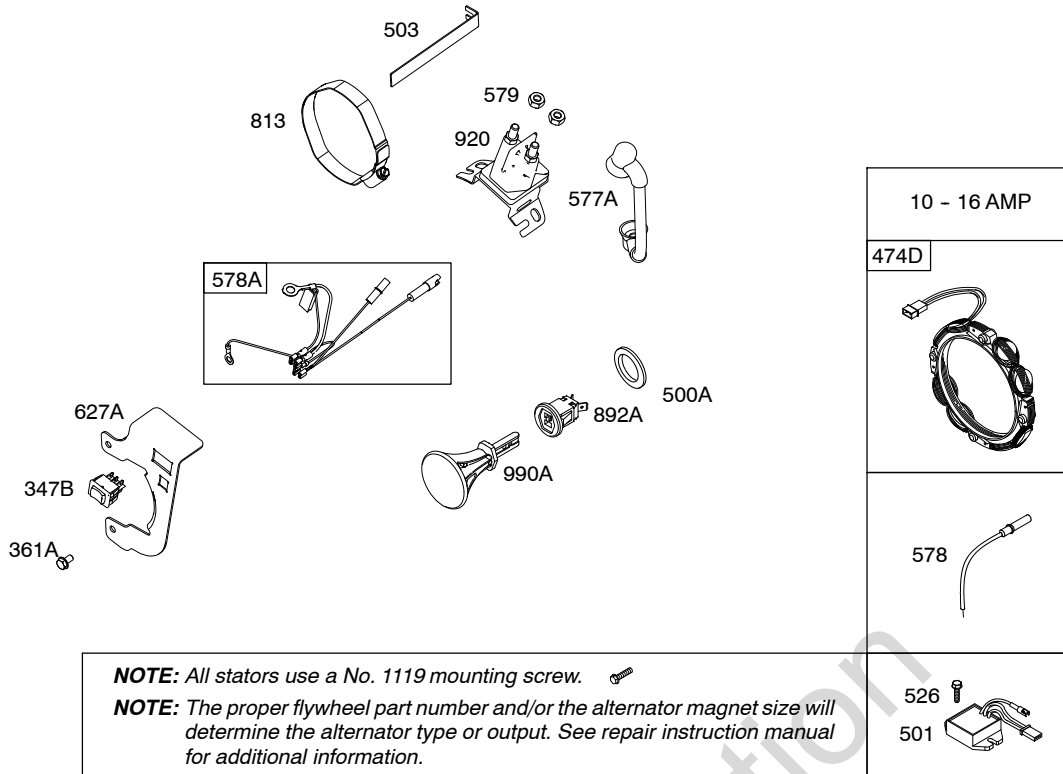


Not for  
Reproduction





Illustrations cover a range of engines. Parts shown without corresponding text may not be used on your specific engine.  
 6451-9 Assemblies include all parts shown in frames. 08/04/2009



REF. NO.	PART NO.	DESCRIPTION	REF. NO.	PART NO.	DESCRIPTION	REF. NO.	PART NO.	DESCRIPTION
1	793117	Cylinder Assembly	18	791412	Cover-Crankcase	23	794814	Flywheel
2	698340	Kit-Bushing/Seal (Magneto Side)			Used on Type No(s). 0035, 0036, 0041, 0100, 0112, 0120, 0121, 0122, 0123, 0125, 0126, 0130.			----- Note -----
3	391086S	Seal-Oil (Magneto Side)						695485 Flywheel
5	793009	Head-Cylinder						Used on Type No(s). 0041, 0112, 0115, 0117, 0118, 0119, 0122.
7	694872	Gasket-Cylinder Head			----- Note -----	24	222698S	Key-Flywheel
11A	695305	Tube-Breather			695816 Cover- Crankcase	25	792117	Piston Assembly (Standard)
12	694953	Gasket-Crankcase			Used on Type No(s). 0117.			----- Note -----
13	690360	Screw (Cylinder Head)			792139 Cover- Crankcase			792144 Piston Assembly (.020" Oversize)
15	691686	Plug-Oil Drain			(Used After Code Date 06082000).	26	792026	Ring Set (Standard)
15A	691682	Plug-Oil Drain			Used on Type No(s). 0049, 0115, 0118, 0124.			(Used After Code Date 05081000).
16	794717	Crankshaft			695816 Cover- Crankcase			----- Note -----
		----- Note -----			(Used Before Code Date 06082100).			694004 Ring Set (Used Before Code Date 05081100).
		694678 Crankshaft Used on Type No(s). 0126, 0130.			Used on Type No(s). 0049, 0115, 0117, 0118, 0124.			792073 Ring Set (.020" Oversize)
		695817 Crankshaft Used on Type No(s). 0049, 0115, 0117, 0118, 0124.			Used on Type No(s). 0049, 0115, 0118, 0124.			(Used After Code Date 05081000).
		695818 Crankshaft Used on Type No(s). 0035, 0120.			793584 Cover- Crankcase			694008 Ring Set (.020" Oversize)
17	695434	Bearing-Ball			(Used After Code Date 06082000).			(Used Before Code Date 05081100).
					Used on Type No(s). 0119.	27	690975	Lock-Piston Pin
					699327 Cover- Crankcase	28	696581	Pin-Piston
					(Used Before Code Date 06082100).	29	694691	Rod-Connecting
					Used on Type No(s). 0119.	30	694692	Dipper-Connecting Rod
			19	698340	Kit-Bushing/Seal (PTO Side)	32	690976	Screw (Connecting Rod)
			20	391086S	Seal-Oil (PTO Side)	33	499596	Valve-Exhaust
			21	281658S	Cap-Oil Fill	34	792200	Valve-Intake
			22	695174	Screw (Crankcase Cover/Sump)	35	694865	Spring-Valve (Intake)
						36	694865	Spring-Valve (Exhaust)
						42	499586	Keeper-Valve
						45	690977	Tappet-Valve

Illustrations cover a range of engines. Parts shown without corresponding text may not be used on your specific engine.

# 206400

REF. NO.	PART NO.	DESCRIPTION	REF. NO.	PART NO.	DESCRIPTION	REF. NO.	PART NO.	DESCRIPTION
46	790958	Camshaft	93	690602	Bushing-Throttle Shaft	146	690979	Key-Timing
51	694874	Gasket-Intake	95	691636	Screw (Throttle Valve)	163	693458	Gasket-Air Cleaner
51A	694875	Gasket-Intake	95A	690718	Screw (Throttle Valve)	170	695296	Stud (Crankcase Cover/Sump)
53A	695433	Stud (Carburetor)	97	695325	Shaft-Throttle	176	691917	Seal-O Ring (Air Cleaner Base)
55	695288	Housing-Rewind Starter	97A	696387	Shaft-Throttle	185	690958	Nut (Air Cleaner Base)
58	693389	Rope-Starter (Cut To Required Length)	98	495800	Kit-Idle Speed	186	692317	Connector-Hose (90 Degree)
59	805957	Insert-Grip	98A	695408	Kit-Idle Speed	----- Note -----		
60	490652	Grip-Starter Rope	104	690525	Pin-Float Hinge	691764	Connector- Hose (Straight) Used on Type No(s). 0119.	
65	690759	Screw (Rewind Starter)	104A	694918	Pin-Float Hinge	187	791766	Line-Fuel (15 Inches Long)(Cut To Required Length)
79	690614	Case-Gear Reduction (Used Before Code Date 07021600).	105	691782	Valve-Float Needle	187A	791869	Line-Fuel (Used After Code Date 05063000).
79A	793590	Case-Gear Reduction (Used After Code Date 07021500).	105A	696136	Valve-Float Needle	----- Note -----		
80	691603	Gasket-Gear Case (Used Before Code Date 07021600).	106	690577	Seat-Inlet	695429	Line-Fuel (Used Before Code Date 05070100).	
80A	793588	Gasket-Gear Case (Used After Code Date 07021500).	108	691227	Valve-Choke	187B	791834	Line-Fuel (Used After Code Date 05063000).
81	695400	Lock-Muffler Screw	108A	696143	Valve-Choke	----- Note -----		
82	690287	Screw (Gear Reduction Case) (Used Before Code Date 07021600).	109B	695329	Shaft-Choke	695482	Line-Fuel (Used Before Code Date 05070100).	
82A	792753	Screw (Gear Reduction Case) (Used After Code Date 07021500).	109C	790148	Shaft-Choke	187C	791871	Line-Fuel (Used After Code Date 05063000).
83	690387	Shaft-Auxiliary Drive	117	696134	Jet-Main (Standard)	----- Note -----		
84	691121	Plug-Breather	118	696135	Jet-Main (High Altitude)	695483	Line-Fuel (Used Before Code Date 05070100).	
85	691076	Screw (Gear Cover to Gear Reduction Case)	121	695441	Kit-Carburetor Overhaul (Use With Walbro Carburetor)	187E	791745	Line-Fuel (23 Inches Long)(Cut To Required Length)
86	690613	Cover-Gear (Used Before Code Date 07021600).	121A	696146	Kit-Carburetor Overhaul	188	690877	Screw (Control Bracket)
86A	793591	Cover-Gear (Used After Code Date 07021500).	122	694876	Spacer-Carburetor Carburetor (To Service Complete Carburetor, See Referece Number 125A)	190	692127	Screw (Fuel Tank)
87	391086S	Seal-Gear Reduction	125					
88	691601	Gasket-Gear Reduction Cover (Used Before Code Date 07021600).	125A	695920	Carburetor	----- Note -----		
88A	793589	Gasket-Gear Reduction Cover (Used After Code Date 07021500).	127	694524	Plug-Welch	698785	Carburetor Used on Type No(s). 0119.	
			127A	690727	Plug-Welch			
			130	690468	Valve-Throttle			
			130A	696139	Valve-Throttle			
			133	494381	Float-Carburetor			
			133A	694914	Float-Carburetor			
			135	696142	Tube-Fuel Transfer			
			137	281165S	Gasket-Float Bowl			
			137A	695426	Gasket-Float Bowl			
			141B	696144	Kit-Choke Shaft			
			142	695528	Nozzle-Carburetor (Standard)			
			143	695529	Nozzle-Carburetor (High Altitude)			

Illustrations cover a range of engines. Parts shown without corresponding text may not be used on your specific engine.  
 6451-12 Assemblies include all parts shown in frames. 08/04/2009

REF. NO.	PART NO.	DESCRIPTION	REF. NO.	PART NO.	DESCRIPTION	REF. NO.	PART NO.	DESCRIPTION
192	690083	Adjuster-Rocker Arm	286B	696058	Module-Oil Sensor (Electric Start)	333	492341	Armature-Magneto
209	694867	Spring-Governor			(Used Before Code Date 03010600).	334	691061	Screw (Magneto Armature)
211	695307	Spring-Governed Idle			Used on Type No(s). 0041, 0112, 0115, 0117, 0118.	337	491055S	Plug-Spark
219	693578	Gear-Governor						----- Note -----
220	691724	Washer (Governor Gear)						691043 Plug-Spark
222	695380	Bracket-Control	286C	699951	Module-Oil Sensor			Used on Type No(s). 0123, 0125.
227	694864	Lever-Governor Control			Used on Type No(s). 0120, 0121, 0122, 0125, 0126, 0130.	347A	697854	Switch-Rocker
231	691636	Screw (Choke Valve)			----- Note -----			Used on Type No(s). 0035, 0036, 0049, 0100, 0112, 0115, 0117, 0120, 0121, 0124, 0125, 0126, 0130.
240	691035	Filter-Fuel			699951 Module-Oil Sensor			
		Used on Type No(s). 0119.			(Used After Code Date 03010500).	347B	790949	Switch-Rocker
		----- Note -----			Used on Type No(s). 0035, 0036, 0041, 0049, 0100, 0112, 0115, 0117, 0118.	355	691075	Washer (Muffler Bracket)
		298090S Filter-Fuel						
		Used on Type No(s). 0130.				356	692603	Wire-Stop
240A	694485	Filter-Fuel	287	691693	Screw (Dipstick Tube)	356B	699340	Wire-Stop
265	691024	Clamp-Casing						Used on Type No(s). 0119.
267	692577	Screw (Casing Clamp)	300	697252	Muffler	356C	695295	Wire-Stop
268	691025	Casing-Control Wire (Cut To Required Length)	300C	793701	Muffler (This muffler is intended for replacement purposes only and is not to be used for retrofitting to engines with different exhaust systems)	356D	695366	Wire-Stop (Used Before Code Date 03072400).
269	691026	Wire-Control (Cut To Required Length)						Used on Type No(s). 0035, 0036, 0049, 0100, 0112, 0115, 0117, 0124, 0125.
270	691027	Nut (Control Wire Casing)	304	791478	Housing-Blower	356E	696328	Wire-Stop
271	691028	Lever-Control	305	691108	Screw (Blower Housing)			Used on Type No(s). 0041, 0118, 0122.
271A	695381	Lever-Control	306	697240	Shield-Cylinder (Used After Code Date 01102800).	356H	696482	Wire-Stop
272	691168	Lock-Screw Head			----- Note -----			Used on Type No(s). 0123.
276	692255	Washer-Sealing			694677 Shield-Cylinder	356J	699994	Wire-Stop (Used After Code Date 03072300).
277	691075	Washer (Gear Case To Gear Reduction)	307	691660	Screw (Cylinder Shield)			Used on Type No(s). 0035, 0036, 0049, 0100, 0112, 0115, 0117, 0124, 0125, 0130.
278	792008	Washer (Governor Control Lever)	309	695479	Motor-Starter	356L	792609	Wire-Stop
281	697268	Panel-Control (Used After Code Date 01102800).			Used on Type No(s). 0041, 0112, 0115, 0117, 0118, 0119, 0122.	357	691483	Key-Drive Pully
		----- Note -----	310	690323	Screw (Starter Motor)	358	695438	Gasket Set-Engine
		695294 Panel-Control (Used Before Code Date 01102900).	332	694685	Nut (Flywheel)	361	691681	Screw (Starting Switch)
286	695186	Module-Oil Sensor (Used Before Code Date 03010600).				361A	690297	Screw (Starting Switch)
		Used on Type No(s). 0035, 0036, 0049, 0100.						

Illustrations cover a range of engines. Parts shown without corresponding text may not be used on your specific engine.

# 206400

REF. NO.	PART NO.	DESCRIPTION	REF. NO.	PART NO.	DESCRIPTION	REF. NO.	PART NO.	DESCRIPTION
363	19203	Puller-Flywheel	510	693699	Drive-Starter	615	694676	Retainer-Governor Shaft
364A	699947	Terminal-Oil Plug Used on Type No(s). 0035, 0036, 0041 0049, 0100, 0112, 0115, 0117, 0118, 0120, 0121, 0122, 0124, 0125, 0126, 0130.	513	692024	Clutch-Drive	616	694675	Crank-Governor
369	695422	Spring-Float Bowl	522	697689	Plug (Dipstick/Fill)	621	692310	Switch-Stop
383	19374S	Wrench-Spark Plug	523	695344	Dipstick	627	696064	Bracket-Stopswitch
387	808656	Pump-Fuel	524	691876	Seal-Dipstick Tube	627A	792608	Bracket-Stopswitch
410	695382	Link-Control	525	695343	Tube-Dipstick	628	690297	Screw (Fuel Pump Bracket)
412	690958	Nut (Air Cleaner Cover) Used on Type No(s). 0115.	526	690297	Screw (Regulator) Used on Type No(s). 0041, 0112, 0117, 0118, 0119, 0122.	632	694868	Link-Throttle (Used With Walbro Carburetors)
415	691363	Plug	527	698467	Clamp-Fuel Used on Type No(s). 0119.	----- Note -----		
415B	690283	Plug	529	791822	Grommet	633	690597	Seal-Choke/Throttle Shaft
436C	792374	Manifold-Exhaust	544	692034	Armature-Starter	633A	691326	Seal-Choke/Throttle Shaft
437	696705	Screw (Exhaust Manifold)	552	694674	Bushing-Governor Crank	633B	690998	Seal-Choke/Throttle Shaft
445A	695302	Filter-Air Cleaner Cartridge	562	793216	Bolt (Governor Control Lever)	635	691909	Boot-Spark Plug
455	694683	Cup-Flywheel	563	695449	Screw (Debris-Guard)	636	696198	Nut (Starting Switch) Used on Type No(s). 0041, 0118, 0122.
456	692299	Plate-Pawl Friction	564	692198	Screw (Control Cover)	641	691075	Washer (Starting Switch)
459	281505S	Pawl-Ratchet	575	692303	Switch-Starting Used on Type No(s). 0041, 0118, 0122.	641A	690282	Washer (Starting Switch)
467	691668	Knob-Air Cleaner	577	690630	Cable-Starter Used on Type No(s). 0041, 0118, 0122.	663	692577	Screw (Control Panel)
474D	695466	Alternator (10 Amp Regulator) Used on Type No(s). 0041, 0112, 0117, 0118, 0119, 0122.	577A	690795	Cable-Starter	663A	690372	Screw (Control Panel) Used on Type No(s). 0041, 0118, 0122, 0123.
493	694861	Bracket-Mounting	578	692306	Wire Assembly	664	691087	Nut (Key Switch) Used on Type No(s). 0041, 0118, 0122.
493A	691177	Bracket-Mounting Used on Type No(s). 0041, 0112, 0117, 0118, 0119, 0122.	578A	790948	Wire Assembly	668	694257	Spacer (Control Bracket)
493B	699075	Bracket-Mounting (Debris Guard)	579	691029	Nut (Starter Cable)	676	393761	Deflector-Muffler
500	691086	Washer (Key Switch) Used on Type No(s). 0041, 0118, 0122.	592	690800	Nut (Rewind Starter)	677	690367	Screw (Muffler Deflector)
500A	792613	Washer (Key Switch)	597	691696	Screw (Pawl Friction Plate)			
501	691185	Regulator Used on Type No(s). 0041, 0112, 0117, 0118, 0119, 0122.	601	791850	Clamp-Hose			
503	691532	Strap-Starter	604	699066	Cover-Control			
504	695383	Washer Set-Friction	608	695287	Starter-Rewind			
505	691251	Nut (Governor Control Lever)	613	695312	Screw (Muffler)			
			613A	695399	Screw (Muffler)			

Illustrations cover a range of engines. Parts shown without corresponding text may not be used on your specific engine.  
6451-14 Assemblies include all parts shown in frames. 08/04/2009

REF. NO.	PART NO.	DESCRIPTION	REF. NO.	PART NO.	DESCRIPTION	REF. NO.	PART NO.	DESCRIPTION
689	691855	Spring-Friction	832	795035	Guard-Muffler	975	495933	Bowl-Float
692	691301	Spring-Detent	832C	792380	Guard-Muffler			(Walbro)
695	698807	Screw	836	695312	Screw	975A	696138	Bowl-Float
		(Ring Gear)			(Muffler Guard)	977	695439	Gasket Set-Carburetor
697	690372	Screw			(Used After Code Date			(Use With Walbro
		(Drive Cap)			01061000).			Carburetor)
		Used on Type No(s).			----- Note -----	990	691959	Key Set
		0112, 0115.			690367 Screw	990A	695756	Key Set
718	690959	Pin-Locating			(Muffler Guard)	1005	694684	Fan-Flywheel
718A	695178	Pin-Locating			(Used Before Code	1022	690971	Gasket-Rocker Cover
		(Head)			Date 01061100).	1023	697691	Cover-Rocker
727A	697465	Cover-Starter Drive	836C	710023	Screw	1026	695177	Rod-Push
		Used on Type No(s).			(Muffler Guard)	1029	690972	Arm-Rocker
		0041, 0112, 0115,				1036		Label-Emissions
		0117, 0118, 0119,	842	691031	Seal-O Ring			(Available From A
		0122.			(Dipstick Tube)			Briggs & Stratton
732	691097	Screw	843	695588	Sleeve-Lever			Authorized Dealer)
		(Starter Drive Cover)	847	695342	Dipstick/Tube	1046	691337	Plug-Stop Switch
		Used on Type No(s).			Assembly	1051	691265	Ring-Retaining
		0041, 0112, 0115,	851	692424	Terminal-Spark Plug	1052A	791159	Sensor-Oil
		0117, 0118, 0119,	863C	793700	Bracket-Muffler	1058	277040	Manual-Operator's
		0122.	868	690968	Seal-Valve			----- Note -----
740	710090	Nut	875	695304	Base-Air Cleaner			MS3780 Manual-
		(Muffler Bracket)			(Plastic)			Operator's
740A	793859	Nut	883	695398	Gasket-Exhaust			Used on Type No(s).
		(Muffler Bracket)	883A	697255	Gasket-Exhaust			0119, 0123, 0125,
741	691288	Gear-Timing	883C	710250	Gasket-Exhaust			0130.
742	692564	Retainer-E Ring	892	392833	Switch-Key	1070	691058	Screw
746	694679	Gear-Idler			Used on Type No(s).			(Flywheel Fan)
773	694258	Retainer			0041, 0118, 0122.	1090	691293	Retainer-Brush
774	695447	Screw	892A	791944	Switch-Key	1095	695440	Gasket Set-Valve
		(Stop Wire)	914	693732	Screw	1100	791959	Pivot-Rocker Arm
783	693713	Gear-Pinion			(Rocker Cover)	1119	691183	Screw
788	699078	Bracket-Fuel Pump	918	393815	Hose-Vacuum			(Alternator)
		Used on Type No(s).	920	691656	Solenoid-Starter	1127A	695407	Screw
		0119.	949	790495	Guard-Debris Screen			(Float Bowl)
798	697890	Screw	950	695407	Screw-Float Bowl	1138	694255	Nut
		(Rocker Arm)			(Walbro)			(Control Bracket)
799	695446	Screw	955	695659	Plug-Carburetor	1177	710090	Nut
		(Oil Sensor)			(Walbro)			(Muffler)
799A	690297	Screw	957	792647	Cap-Fuel Tank	1194	691876	Seal-O Ring
		(Oil Sensor)			(Plastic)			(Plug)
801	694482	Cap-Drive	958	698180	Valve-Fuel Shut Off	1210	498144	Pulley/Spring
802	691286	Cap-End			(Plastic)			Assembly
803		Housing-Starter	967A	695303	Filter-Pre Cleaner			(Pulley)
		(Not Serviced	968B	695301	Cover-Air Cleaner	1211	498144	Pulley/Spring
		Separately, Order	971	695181	Screw			Assembly
		Starter Motor 695479)			(Air Cleaner Base to	1219	794467	Label-Warning
813	690635	Clamp			Carburetor)			
819	690352	Screw	972A	694260	Tank-Fuel			
		(Muffler Bracket)			(Plastic)			

Illustrations cover a range of engines. Parts shown without corresponding text may not be used on your specific engine.

Not for  
Reproduction

