



# Parts Manual

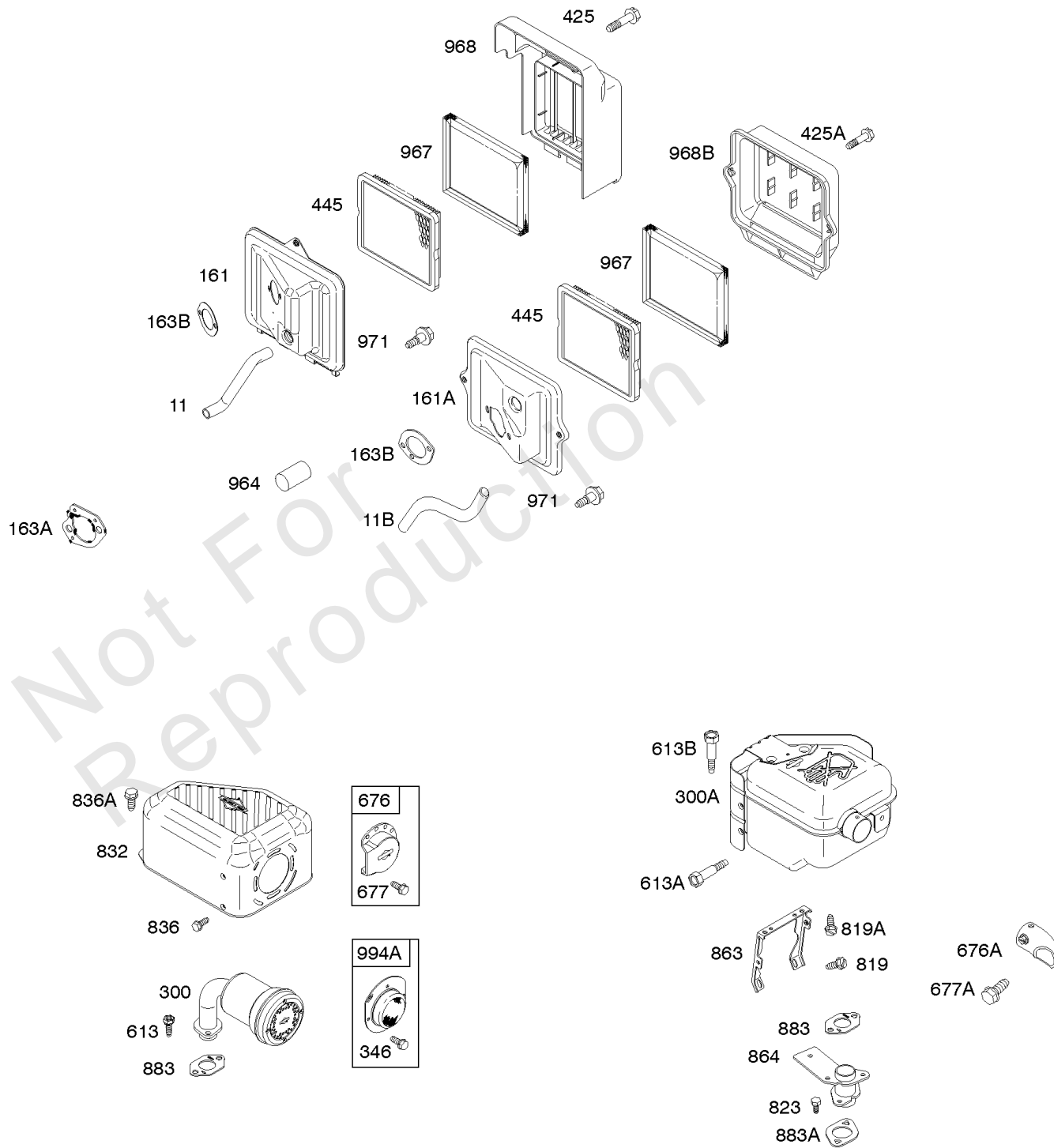
Mfg. No: 15T212-1120-F8



---

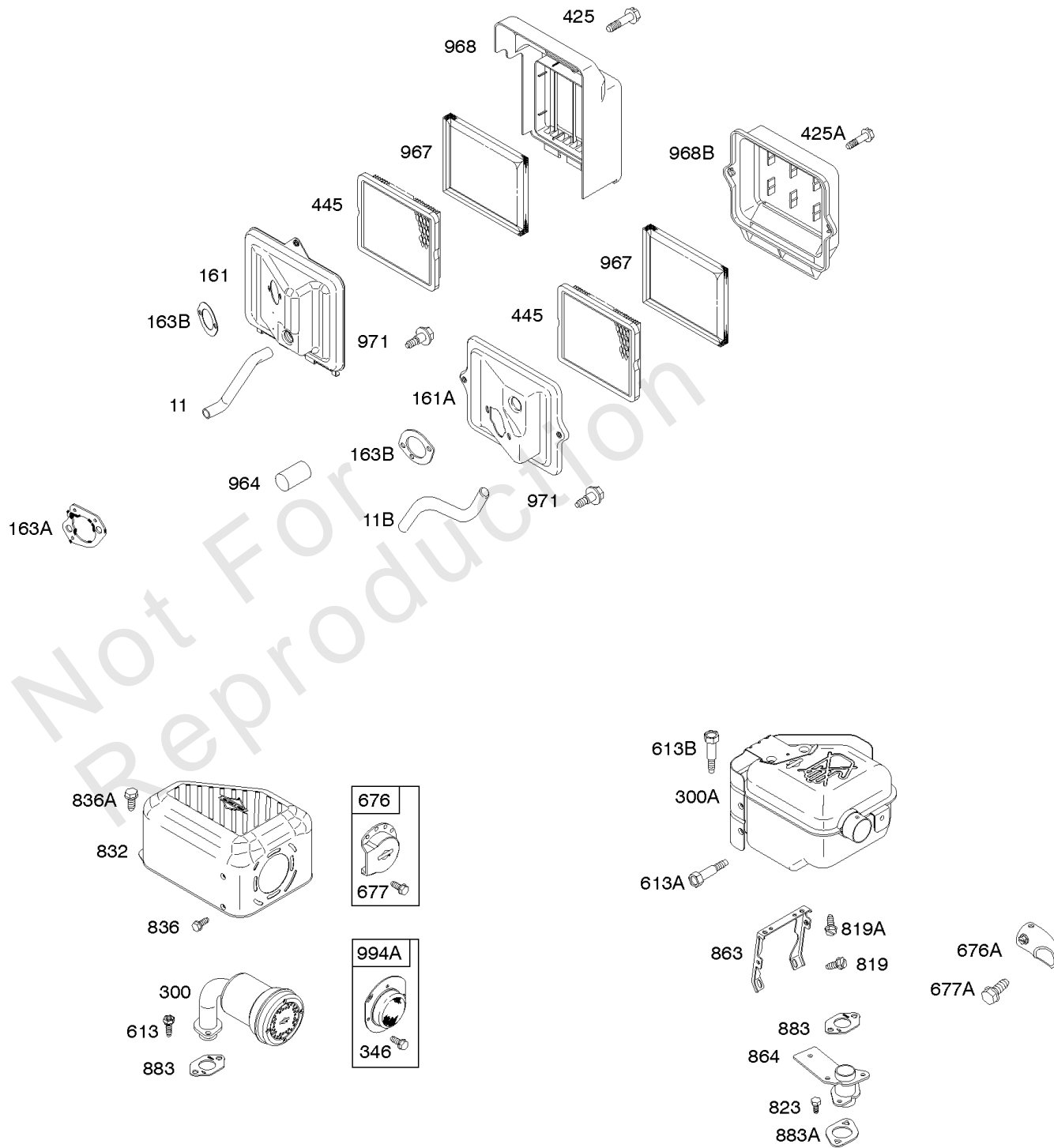
<b>Model Components</b>	<b>Page</b>
Air Cleaner, Exhaust System. ....	4
Blower Housing, Electric Starter, Flywheel, Rewind Starter. ....	8
Camshaft, Crankshaft, Cylinder, Piston Group. ....	12
Carburetor, Fuel Supply. ....	16
Controls, Governor Spring, Ignition. ....	20
Crankcase Cover, Lubrication. ....	24
Cylinder Head. ....	26

Not For  
Reproduction



## Air Cleaner, Exhaust System

REF NO	PART NO	QTY	DESCRIPTION
11	692600		Tube-Breather -(Flat Panel Air Cleaner)
11B	790632		Tube-Breather -(Ultra Low Mount Air Cleaner)
161	699207		Base-Air Cleaner -(Flat Panel Air Cleaner)
161A	790631		Base-Air Cleaner -(Ultra Low Mount Air Cleaner)
163A	792870		Gasket-Air Cleaner -(High Mount)
163B	696024		Gasket-Air Cleaner -(Flat Panel Air Cleaner)
300	693593		Muffler
300A	797433		Muffler
346	690661		SCREW -(Spark Arrestor) (SAE)
346	699203		Screw -(Spark Arrestor) (Metric)
425	699208		Screw -(Air Cleaner Cover)
425A	699492		SCREW -(Air Cleaner Cover)
445	595030		Filter-A/C Cartridge
613	791972		Screw -(Muffler)
613A	699481		SCREW -(Muffler)
613B	799081		Screw -(Muffler)
676	796956		Deflector-Muffler
676A	697816		DEFLECTOR, Muffler
677	690661		SCREW -(Muffler Deflector) (SAE)
677	699203		Screw -(Muffler Deflector) (Metric)
677A	699776		SCREW -(Muffler Deflector)
819	699233		Screw -(Muffler Bracket)
819A	699481		SCREW -(Muffler Bracket)
823	791972		Screw -(Muffler Adapter)
832	593953		Guard-Muffler -(Lo Tone)
836	699203		Screw -(Muffler Guard)
836A	594002		Screw -(Muffler Guard)
863	699229		Bracket-Muffler
864	699232		Adapter-Muffler
883	691893		Gasket-Exhaust -(Between Adapter And Cylinder)
883A	692237		Gasket-Exhaust
964	799159		CAP, Connector
967	493537S		Filter-Pre Cleaner -(Flat Panel)
968	692584		Cover-Air Cleaner -(Flat Panel Air Cleaner)



## *Air Cleaner, Exhaust System*

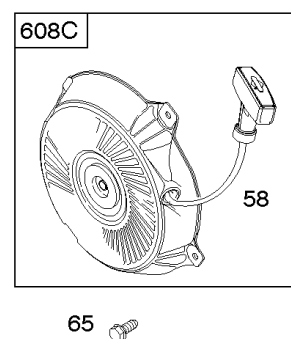
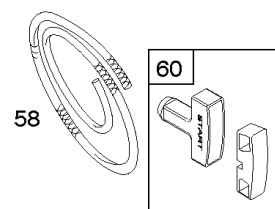
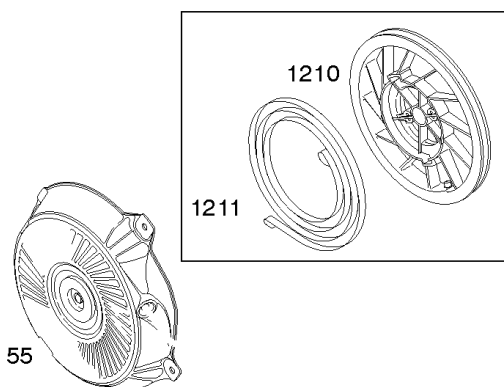
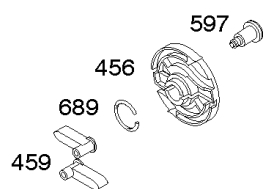
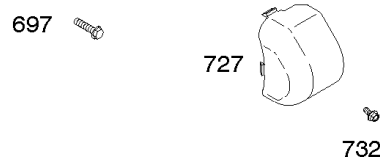
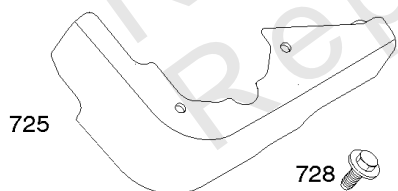
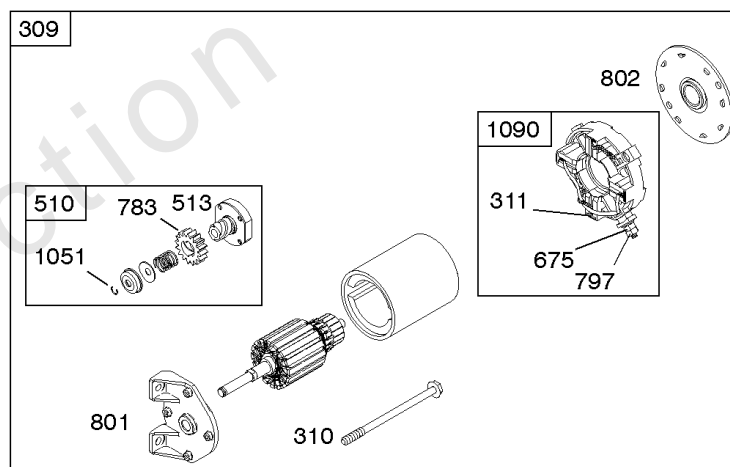
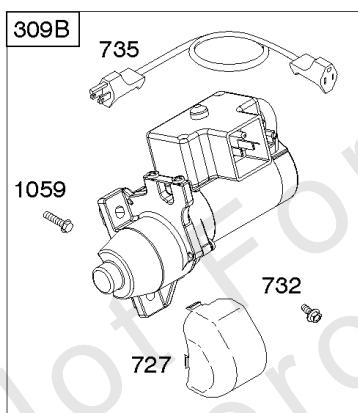
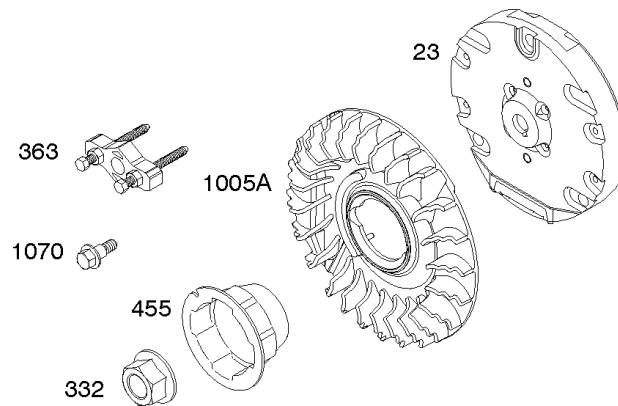
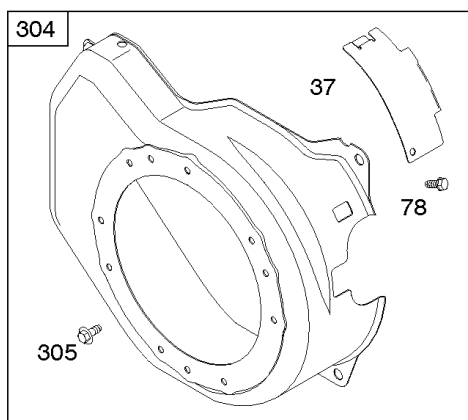
---

REF NO	PART NO	QTY	DESCRIPTION
968B	791082		COVER, Air Cleaner -(Ultra Low Mount Air Cleaner)
971	690370		Screw -(Air Cleaner Base to Carburetor/Throttle Body) (SAE)
971	798649		Screw -(Air Cleaner Base to Carburetor/Throttle Body) (Metric)
994A	399541		Arrestor-Spark

Not For  
Reproduction

# Blower Housing, Electric Starter, Flywheel, Rewind Starter

Mfg. No: 15T212-1120-F8



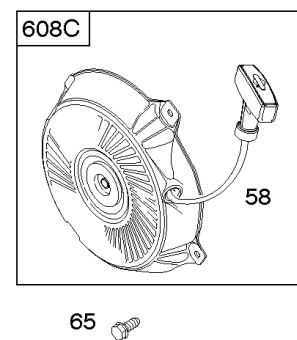
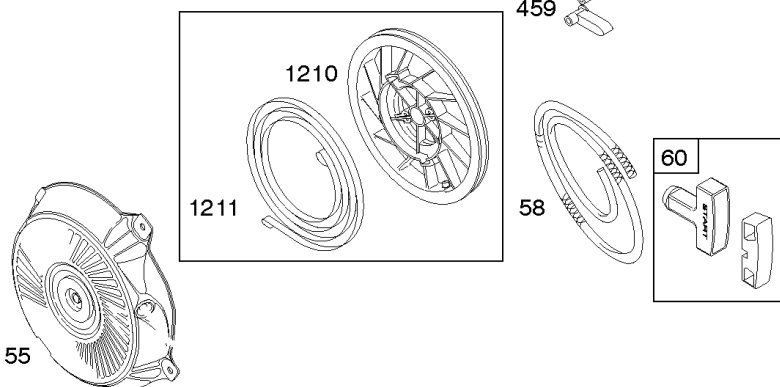
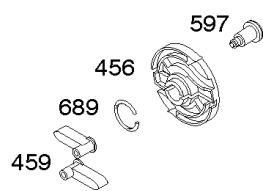
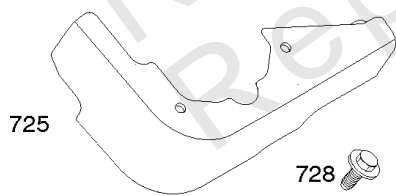
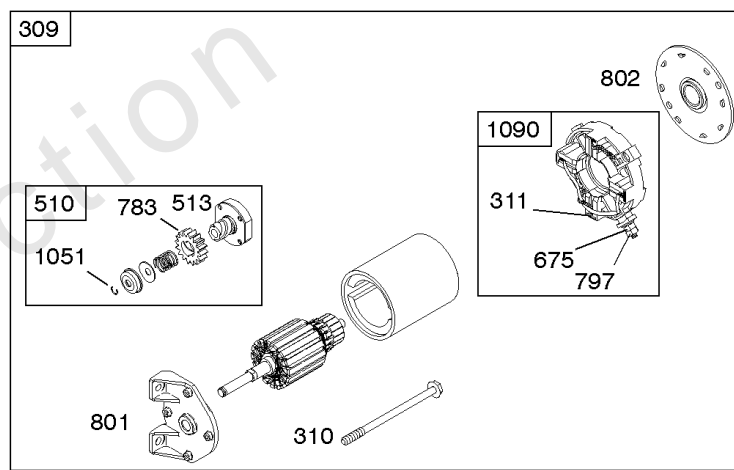
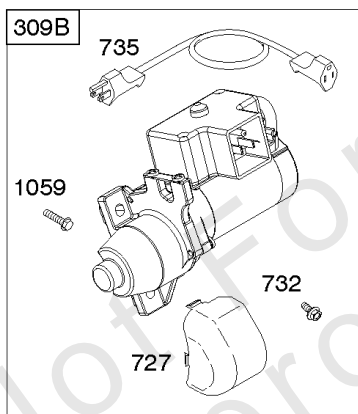
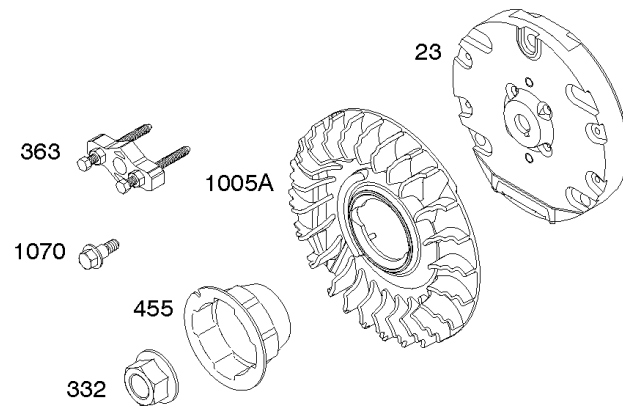
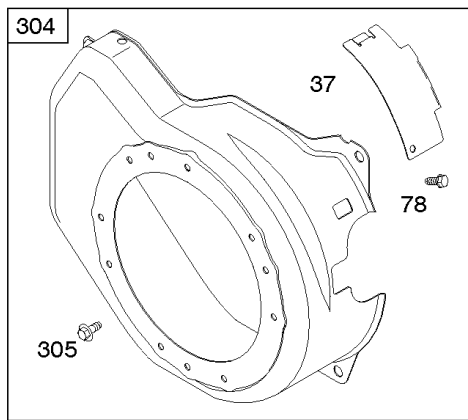


## Blower Housing, Electric Starter, Flywheel, Rewind Starter

REF NO	PART NO	QTY	DESCRIPTION
23	699488		Flywheel
37	699661		Guard-Flywheel
55	791848		Housing-Rewind Starter -Used After Code Date 08030200 -Used Before Code Date 12010100
55	691422		Housing-Rewind Starter -Used Before Code Date 08030300
55			Housing-Rewind Starter -(Not Serviced Separate. Service With Rewind Assembly.) -Used After Code Date 11123100
58	693389		ROPE, Starter (Cut To Required Length)
60	490652		HANDLE, Starter Rope -(2 Piece)
65	699228		SCREW -(Rewind Starter)
78	699205		Screw -(Flywheel Guard)
304	699598		Housing-Blower
305	699481		SCREW -(Blower Housing)
309	798790		Motor-Starter
310	690323		BOLT -(Starter Motor)
311	497608		Brush Set
332	591988		Nut -(Flywheel)
363	19203		PULLER, Flywheel
455	591302		Cup-Flywheel
456			Plate-Pawl Friction -(Not Serviced Separate. Service With Rewind Assembly.) -Used After Code Date 11123100
456	692299		Plate-Pawl Friction -Used Before Code Date 12010100
459			Pawl-Ratchet -(Not Serviced Separate. Service With Rewind Assembly.) -Used After Code Date 11123100
459	281505S		Pawl-Ratchet -Used Before Code Date 12010100
510	499308		Drive-Starter
513	692024		ARMATURE, Starter
597			Screw -(Pawl Friction Plate) (Not Serviced Separate. Service With Rewind Assembly.) -Used After Code Date 11123100
597	691696		Screw -(Pawl Friction Plate) -Used Before Code Date 12010100
608C	591301		Starter-Rewind
675	691261		WASHER -(Brush Retainer)
689			Spring-Friction -(Not Serviced Separate. Service With Rewind Assembly.) -Used After Code Date 11123100
689	691855		Spring-Friction -Used Before Code Date 12010100
697	793567		Screw -(Starter Motor) (Drive Cap)
725	792874		Shield-Heat
727	698039		Cover-Starter Drive
728	699491		Screw -(Heat Shield)

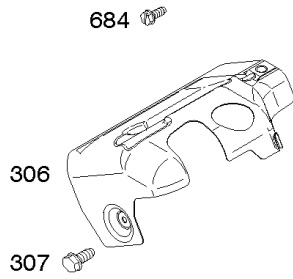
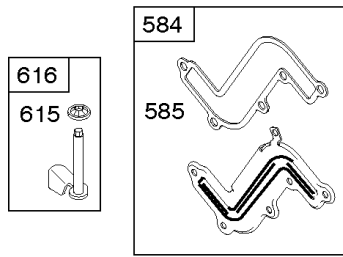
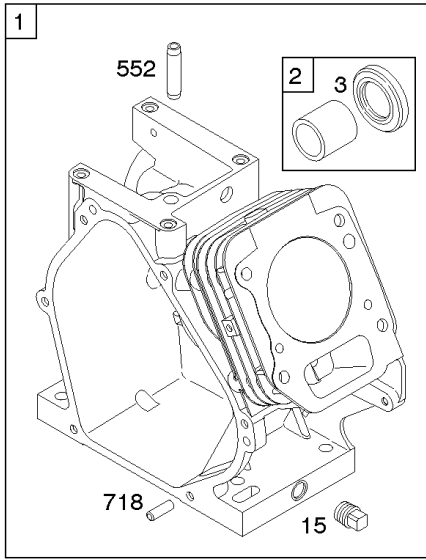
# Blower Housing, Electric Starter, Flywheel, Rewind Starter

Mfg. No: 15T212-1120-F8



## Blower Housing, Electric Starter, Flywheel, Rewind Starter

REF NO	PART NO	QTY	DESCRIPTION
732	699200		SCREW -(Starter Drive Cover)
735	795901		Cord-Starter
783	692353		Gear-Pinion
797	691029		NUT -(Brush Retainer)
801	694482		CAP, Drive
802	691286		CAP, End
1005A	794273		Fan-Flywheel
1051	691265		RING, Retaining
1059	793567		Kit-Screw/Washer
1070	699201		Screw -(Flywheel Fan)
1090	691293		RETAINER, Brush
1210	498144		Pulley/Spring Assembly -(Pulley) -Used Before Code Date 08030300
1210	791849		Pulley/Spring Assembly -(Pulley) -Used After Code Date 08030200 -Used Before Code Date 12010100
1210			Pulley/Spring Assembly -(Pulley) (Not Serviced Separate. Service With Rewind Assembly.) -Used After Code Date 11123100
1211	791849		Pulley/Spring Assembly -(Spring) (Not Serviced Separate. Service With Rewind Assembly.) -Used After Code Date 11123100
1211	498144		Pulley/Spring Assembly -(Spring) -Used Before Code Date 08030300
1211	791849		Pulley/Spring Assembly -(Spring) -Used After Code Date 08030200 -Used Before Code Date 12010100



15A

1319 WARNING LABEL

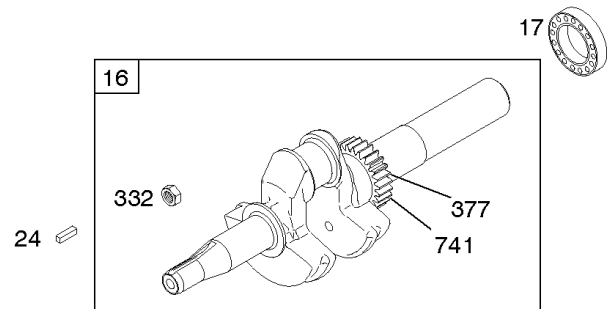
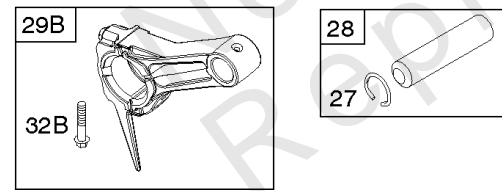
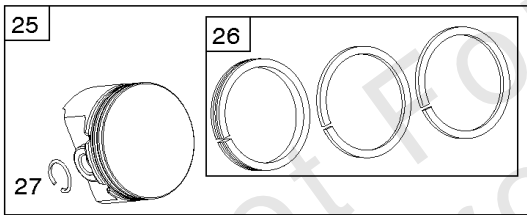
**REQUIRED** when replacing parts with warning labels affixed.

1319A WARNING LABEL

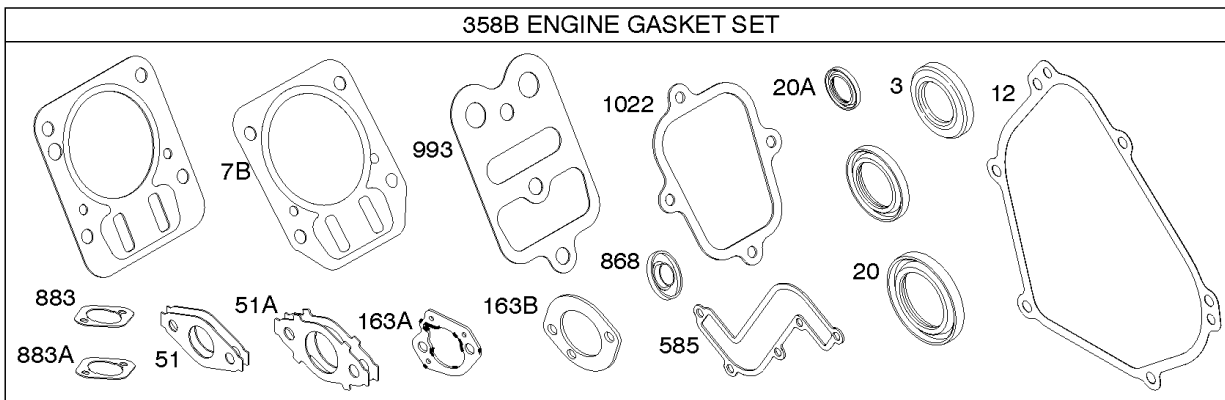
**REQUIRED** when replacing parts with warning labels affixed.

1330 REPAIR MANUAL

1036 EMISSIONS LABEL

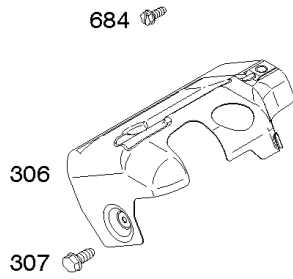
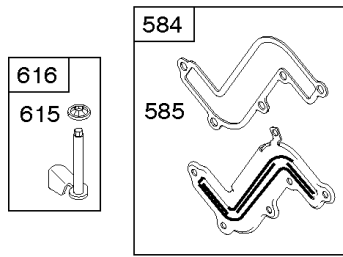
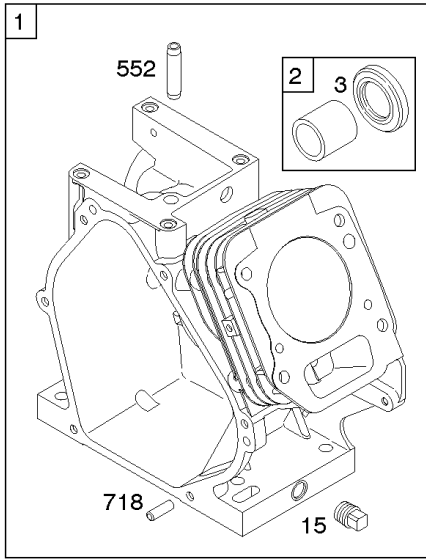


17



## Camshaft, Crankshaft, Cylinder, Piston Group

REF NO	PART NO	QTY	DESCRIPTION
1	794188		Cylinder Assembly
2	796961		Kit-Bushing/Seal -(Magneto Side)
3	299819S		SEAL, Oil -(Magneto Side)
7B	791716		Gasket-Cylinder Head
12	699485		Gasket-Crankcase
15	691686		PLUG, Oil Drain -(Square Head)(1/4" Diameter)
15A	691682		Plug-Oil Drain -(Hex Socket)(1/4" Diameter)
16	593495		Crankshaft -Used Before Code Date 15040900
16	797070		Crankshaft -Used After Code Date 15040800
17	798538		Bearing-Ball
20	692550		Seal-Oil (PTO Side) -(PTO Side)
20A	691952		Seal-Oil (PTO Side) -(PTO Side)
24	796335		KEY, Flywheel
25	791791		Piston Assembly -(.020" Oversize)
25	791786		Piston Assembly -(Standard)
26	791792		SET, Ring -(.020" Oversize)
26	791787		SET, Ring -(Standard)
27	690975		LOCK, Piston Pin
28	690229		Pin-Piston (STD)
29B	791783		Rod-Connecting
32B	791784		Screw -(Connecting Rod)
46	693404		Camshaft
46A	695285		Camshaft
51	692555		Gasket-Intake (2 Required)
51A	791718		Gasket-Intake
163A	792870		Gasket-Air Cleaner -(High Mount)
163B	696024		Gasket-Air Cleaner -(Flat Panel Air Cleaner)
306	594516		Shield-Cylinder -Used After Code Date 14091100
306	795334		Shield-Cylinder -Used Before Code Date 14091200
307	794822		SCREW -(Cylinder Shield)
332	591988		Nut -(Flywheel)
358B	791797		Gasket Set-Engine
377	690979		KEY, Woodruff
552	692346		Bushing-Governor Crank
584	791759		Cover-Breather Passage
585	791760		Gasket-Breather Passage
615	692576		Retainer-Governor Shaft
616	692547		Crank-Governor



15A

1319 WARNING LABEL

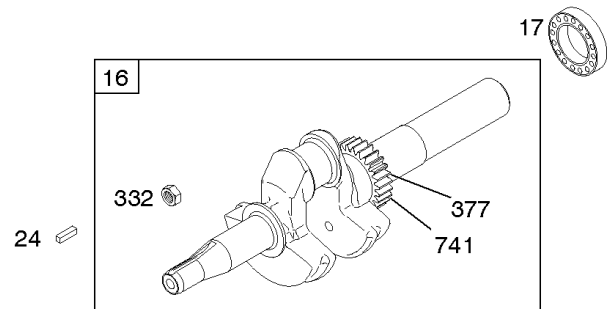
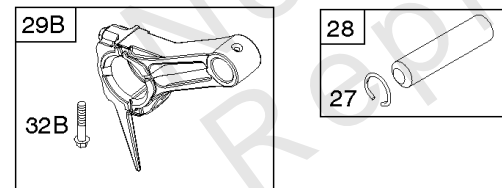
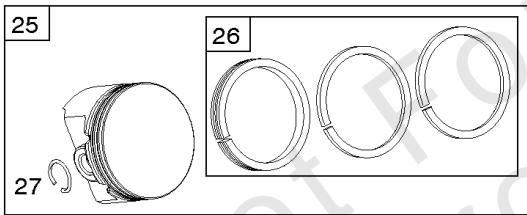
**REQUIRED** when replacing parts with warning labels affixed.

1319A WARNING LABEL

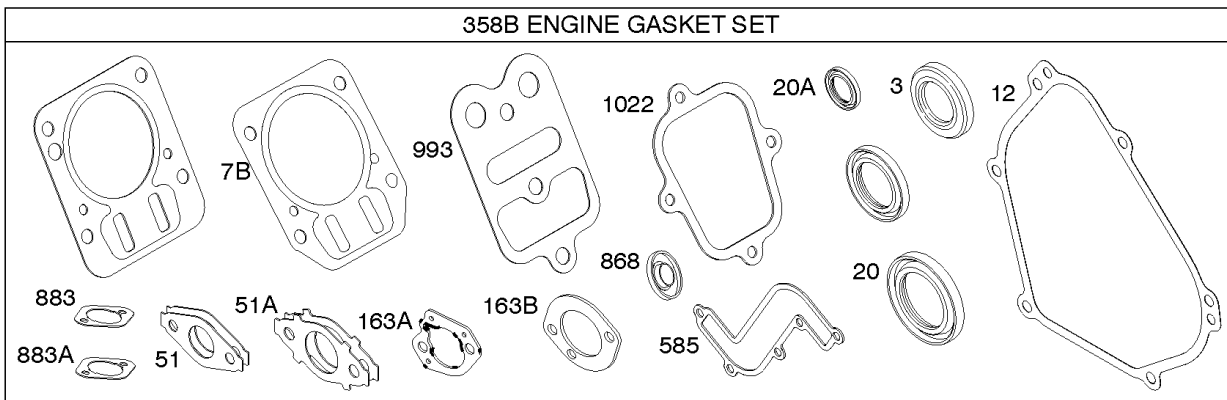
**REQUIRED** when replacing parts with warning labels affixed.

1330 REPAIR MANUAL

1036 EMISSIONS LABEL



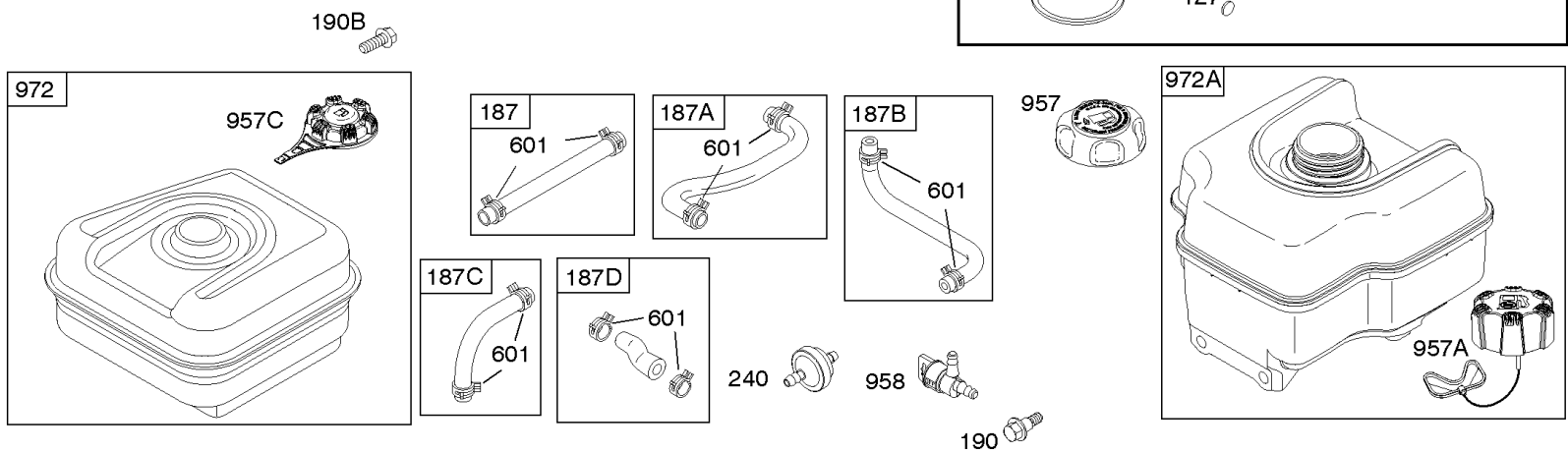
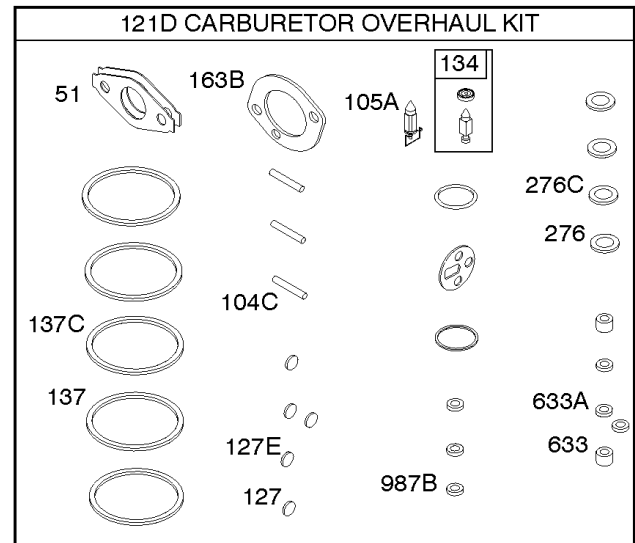
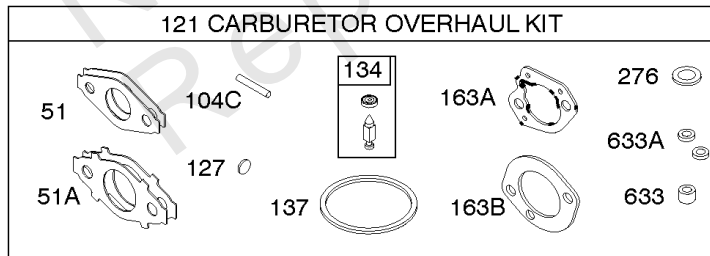
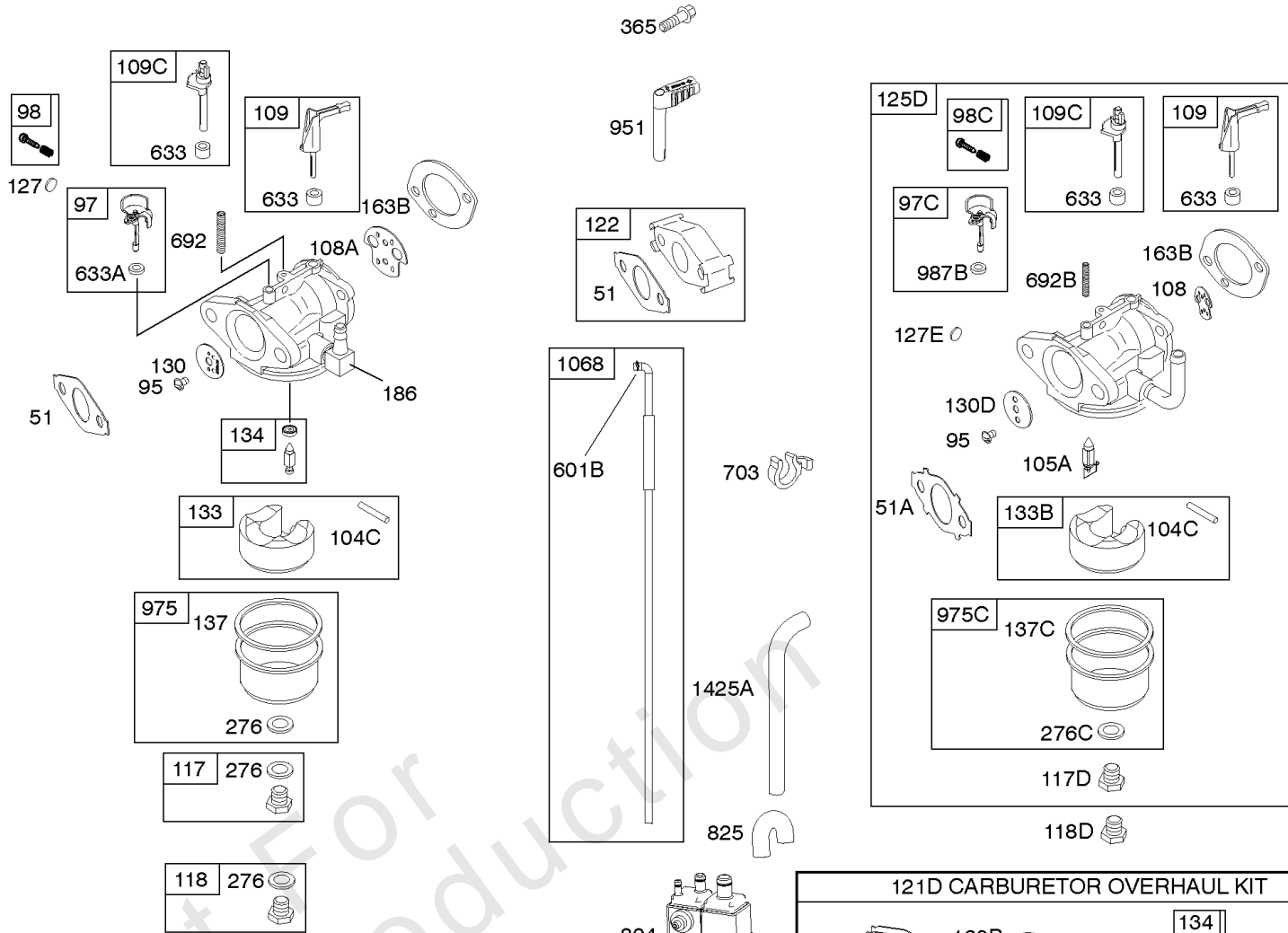
17



## Camshaft, Crankshaft, Cylinder, Piston Group

REF NO	PART NO	QTY	DESCRIPTION
684	793369		Screw -(Breather Passage Cover)
718	592860		PIN, Locating
741	593499		Gear-Timing -(Plastic) -Used Before Code Date 15040900
741	695087		Gear-Timing -(Metal) -Used After Code Date 15040800
868	795440		Seal-Valve
883	691893		Gasket-Exhaust -(Between Adapter And Cylinder)
883A	692237		Gasket-Exhaust
993	694088		Gasket-Cylinder Head Plate
1022	691890		Gasket-Rocker Cover
1036			Label-Emissions -(Available From A Briggs & Stratton Authorized Dealer)
1319	794467		LABEL, Warning
1319A	797669		LABEL, Warning
1330	272147		REP MAN-1 CYL OHV VANG

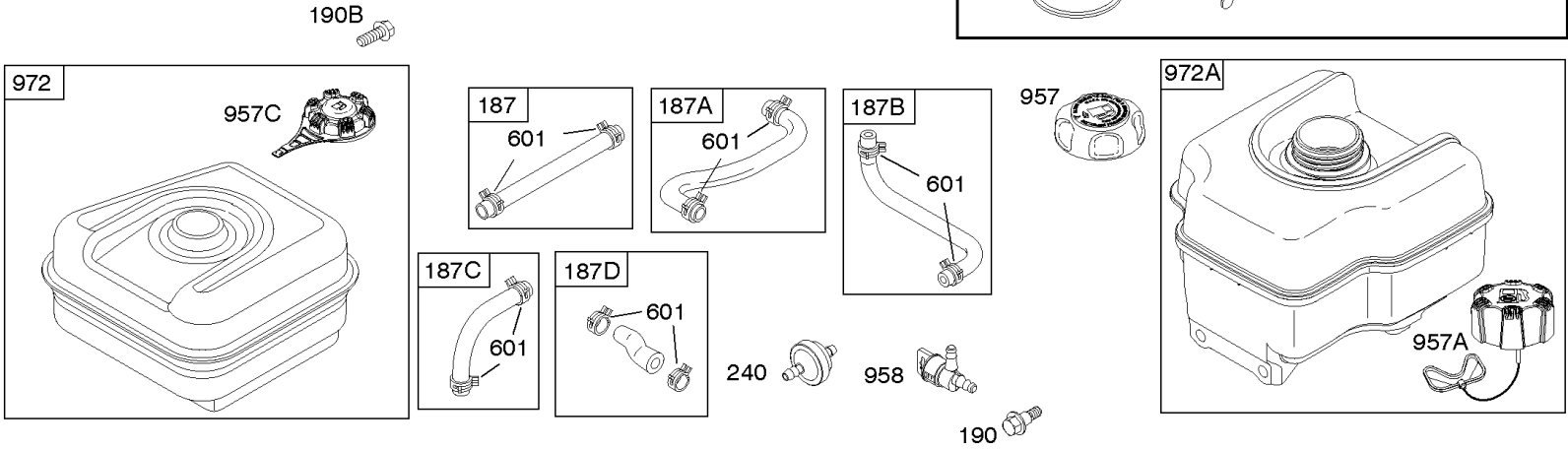
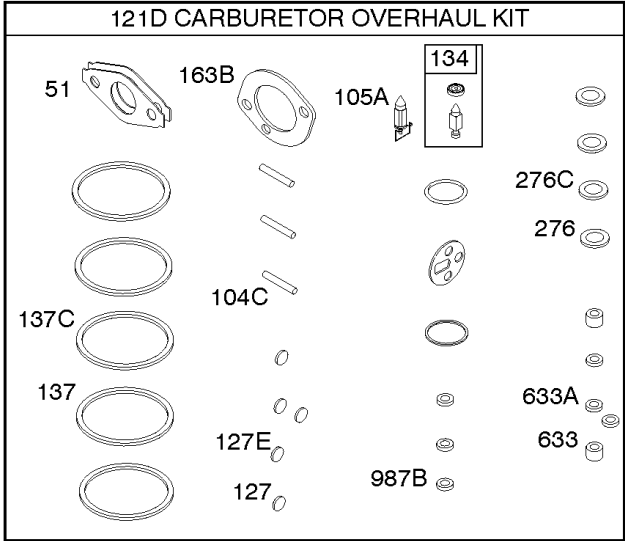
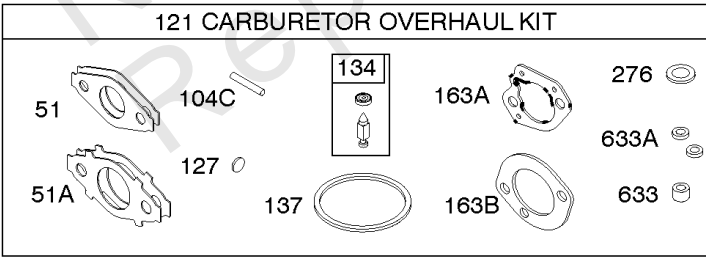
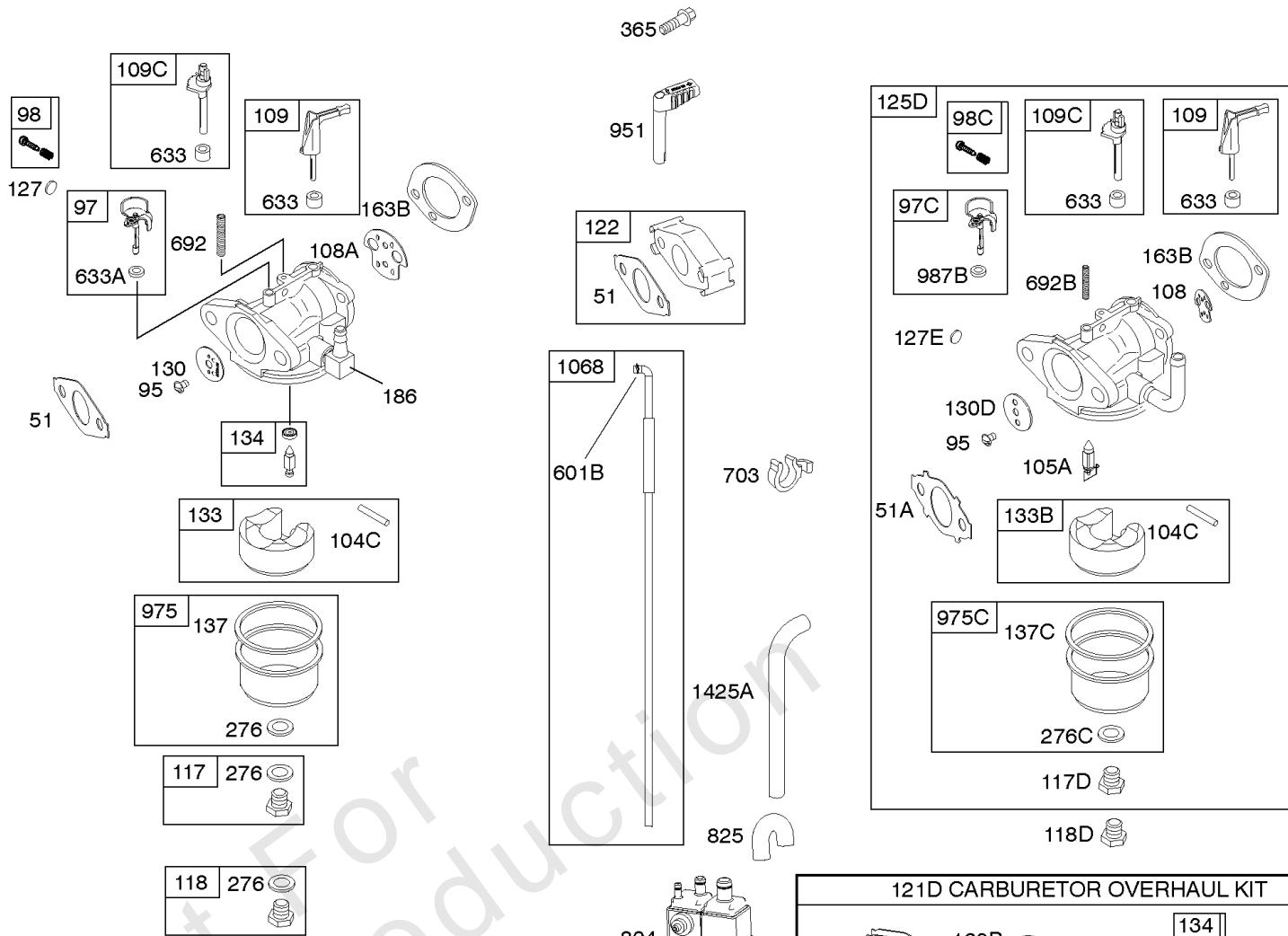
Not For  
Reproduction





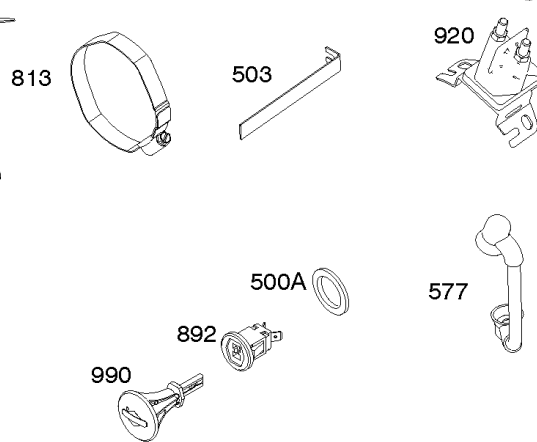
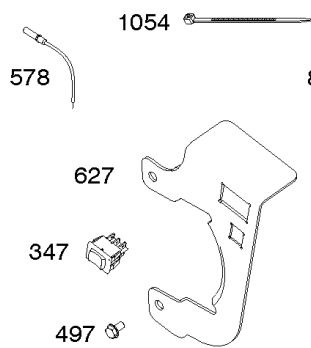
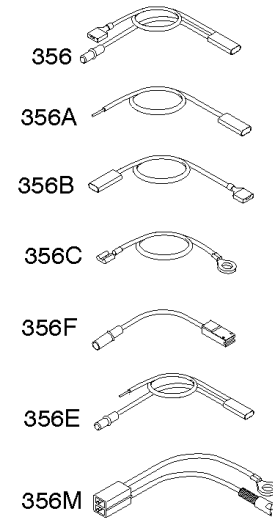
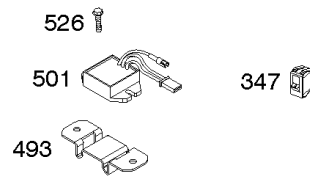
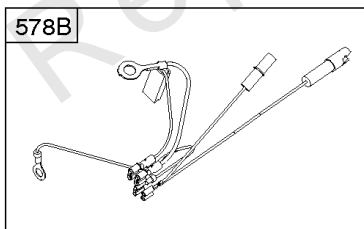
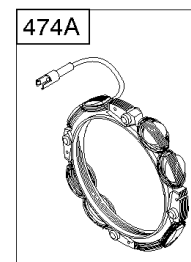
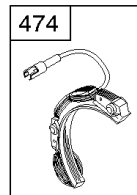
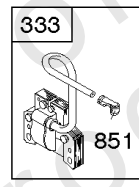
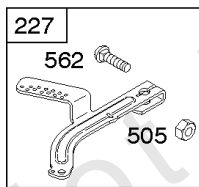
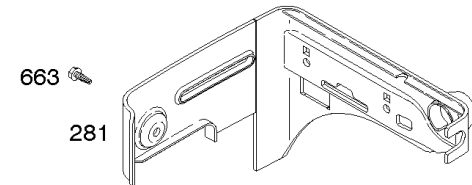
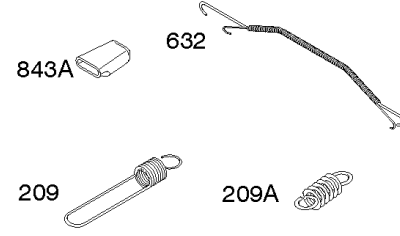
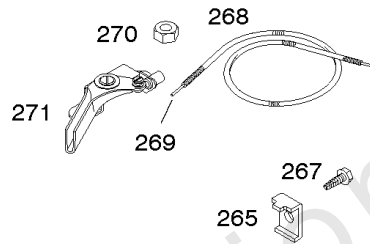
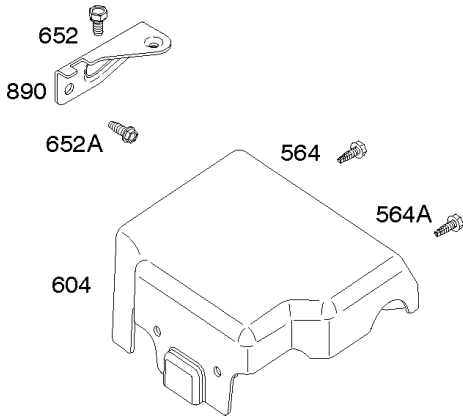
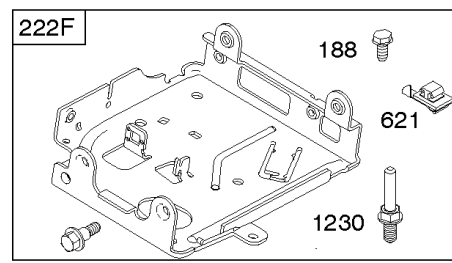
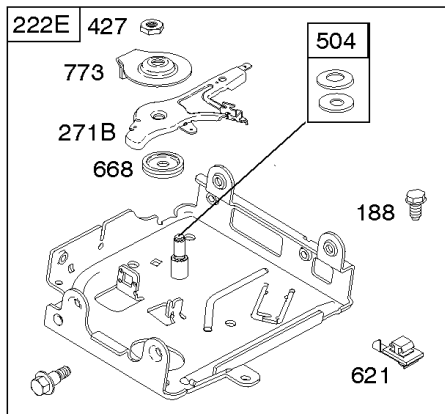
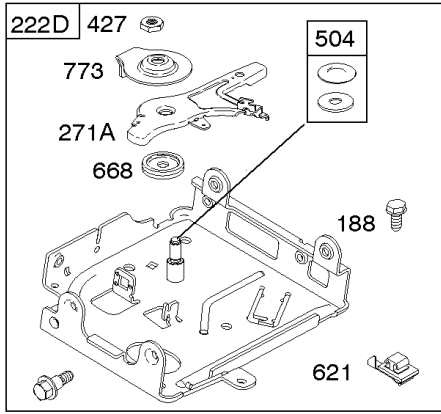
## Carburetor, Fuel Supply

REF NO	PART NO	QTY	DESCRIPTION
51	692555		Gasket-Intake
51A	791718		Gasket-Intake
95	691636		Screw -(Throttle Valve)
97	690024		Shaft-Throttle
97C	797628		Shaft-Throttle
98	398185		Kit-Idle Speed -(Carburetor)
98C	797156		Kit-Idle Speed
104C	797622		Pin-Float Hinge
105A	797139		Valve-Float Needle
108	692567		Valve-Choke
108A	796993		Valve-Choke
109	690023		Shaft-Choke
109C	790624		Shaft-Choke
117	690048		Jet-Main -(Standard)
117D	798652		Jet-Main -(Standard)
118	497315		Jet-Main -(High Altitude)
118D	799178		Jet-Main -(High Altitude)
121	792006		Kit-Carburetor Overhaul
121D	797634		Kit-Carburetor Overhaul
122	791717		Spacer-Carburetor -(Natural)
125D	798654		Carburetor
127	691739		Plug-Welch
127E	797633		Plug-Welch
130	691181		Valve-Throttle
130D	797630		Valve-Throttle
133	398187		Float-Carburetor
133B	797136		Float-Carburetor
134	398188		Kit-Needle/Seat
137	693981		Gasket-Float Bowl
137C	797625		Gasket-Float Bowl
163A	792870		Gasket-Air Cleaner -(High Mount)
163B	696024		Gasket-Air Cleaner -(Flat Panel Air Cleaner)
186	692317		Connector-Hose
187	791766		LINE, Fuel -(Cut To Required Length)
187A	791867		Line-Fuel -(Molded)
187C	791866		Line-Fuel -(Molded)
187B	791874		Line-Fuel -(Molded)
187D	795046		Line-Fuel -(Molded)
190	699220		Screw -(Fuel Tank)
190B	795047		Screw -(Fuel Tank)



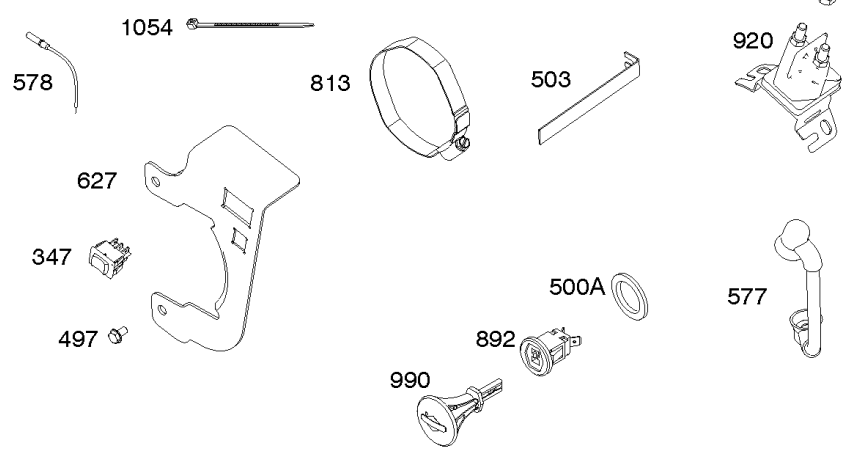
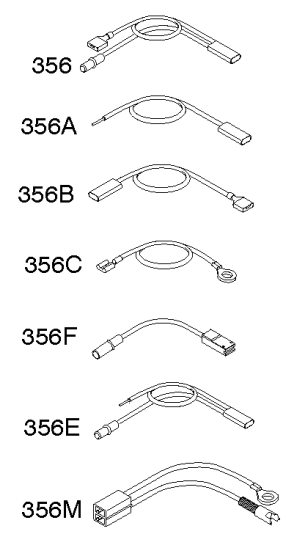
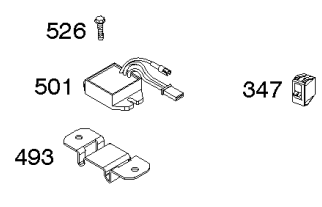
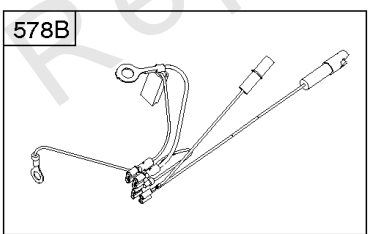
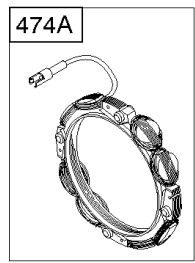
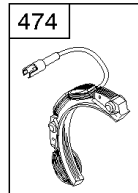
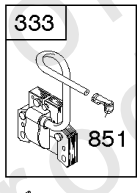
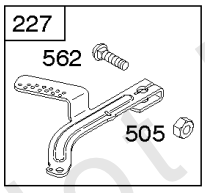
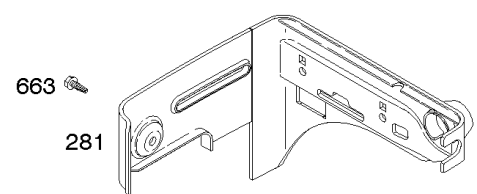
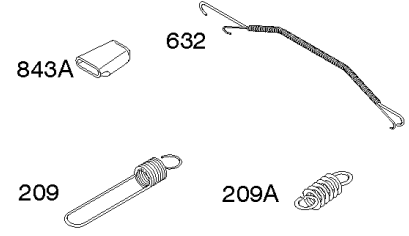
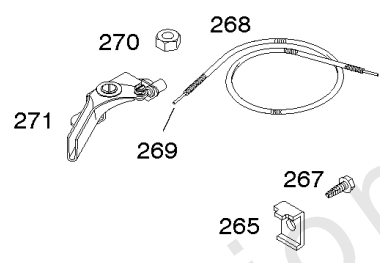
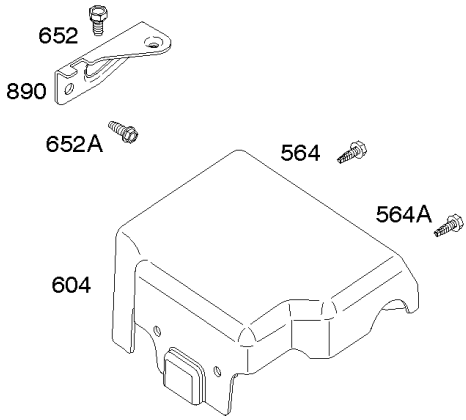
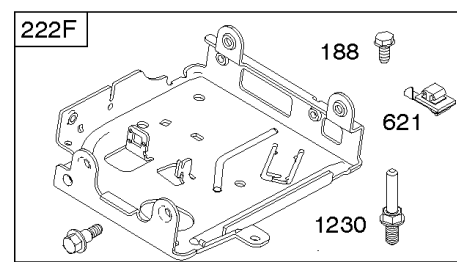
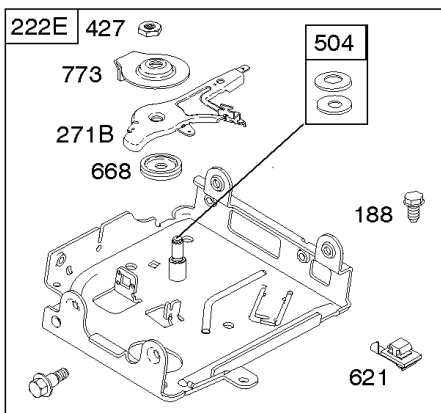
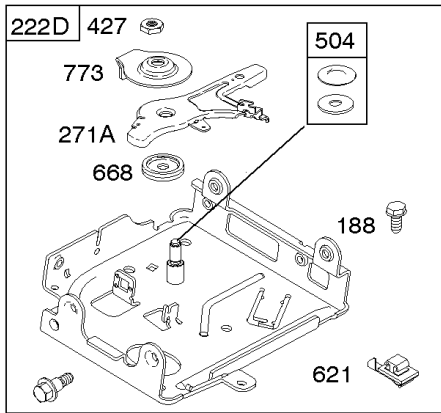
## Carburetor, Fuel Supply

REF NO	PART NO	QTY	DESCRIPTION
240	394358S		FILTER, Fuel
276	271716		Washer-Sealing
276C	797632		Washer-Sealing
365	699484		Screw -(Carburetor)
601	791850		CLAMP, Hose
601B	795230		Clamp-Hose
633	693867		Seal-Choke/Throttle Shaft
633A	691321		Seal-Choke/Throttle Shaft
692	590931		Spring-Detent -(Carburetor)
692B	797624		Spring-Detent -(Carburetor)
703	795222		Clip
804	795223		Canister-Carbon
825	795226		Hose-Air
951	790630		Lever-Choke
957	792647		Cap-Fuel Tank
957A	799719		Cap-Fuel Tank
957C	795221		Cap-Fuel Tank
958	698180		Valve-Fuel Shut Off
972	795705		Tank-Fuel
972A	799863		Tank-Fuel
975	796611		Bowl-Float
975C	797631		Bowl-Float
987B	797629		SEAL, Choke/Throttle Shaft
1068	795229		Hose/Clamp Assembly
1425A	795227		Hose-Purge Line



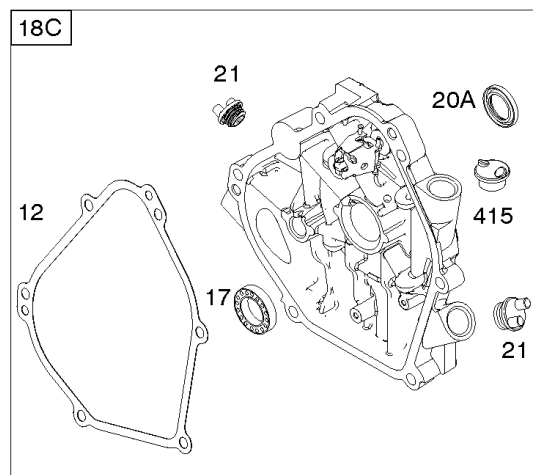
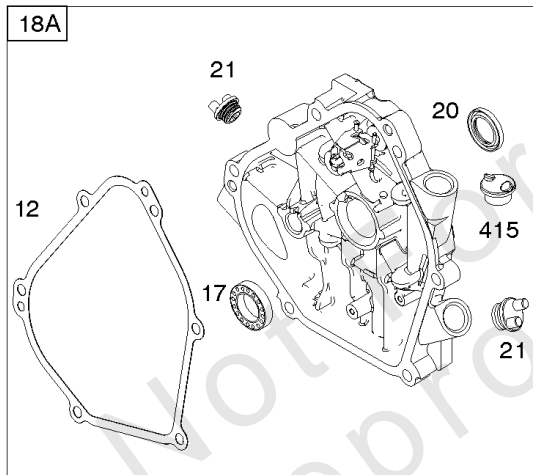
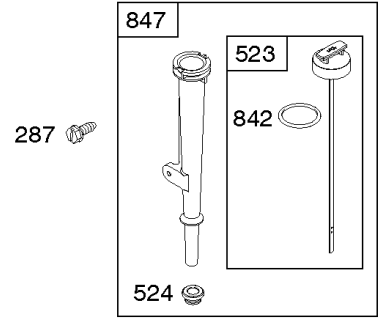
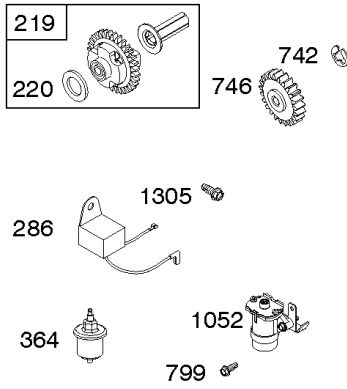
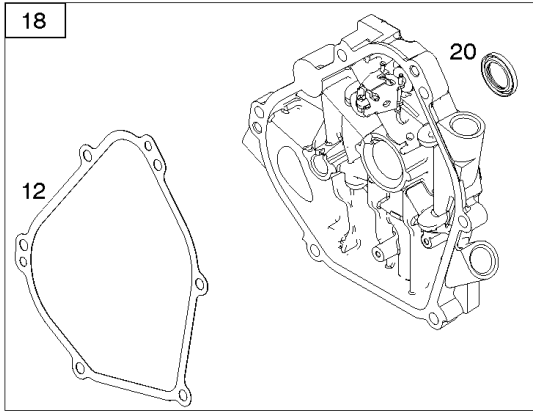
## Controls, Governor Spring, Ignition

REF NO	PART NO	QTY	DESCRIPTION
188	699479		SCREW -(Control Bracket)
209	692571		Spring-Governor
222D	793107		Bracket-Control
222E	793108		Bracket-Control
227	794367		Lever-Governor Control
265	691024		CLAMP, Casing
267	699492		SCREW -(Casing Clamp)
268	691025		CASING, Control Wire -(Cut To Required Length)
269	691026		WIRE, Control -(Cut To Required Length)
270	691027		NUT -(Control Wire Casing)
271	691028		Lever-Control
271A	694256		Lever-Control
271B	695743		Lever-Control
281	793122		Panel-Control
333	796964		Armature-Magneto
334	699477		SCREW -(Magneto Armature)
347	795333		Switch-Rocker
356	693651		Wire-Stop
356A	692390		Wire-Stop
356E	695814		Wire-Stop
356M	792609		Wire-Stop
356F	697397		Wire-Stop
356B	692602		Wire-Stop
356C	695630		WIRE, Stop
427	694255		Nut -(Control Bracket) (SAE)
427	798458		NUT -(Control Bracket) (Metric)
474	695730		Alternator -(3 Amp. DC)
474A	793640		Alternator -(1.5 Amps DC)
493	691177		BRACKET, Mounting
497	691693		SCREW -(Stopswitch Bracket)
500A	792613		Washer -(Key Switch)
501	794360		REGULATOR
503	691532		STRAP, Starter
504	695383		Washer Set-Friction
505	691251		NUT -(Governor Control Lever)
526	690326		SCREW -(Regulator)
562	691119		BOLT -(Governor Control Lever)
564	699491		Screw -(Control Cover)
564A	699206		Screw -(Control Cover)



## Controls, Governor Spring, Ignition

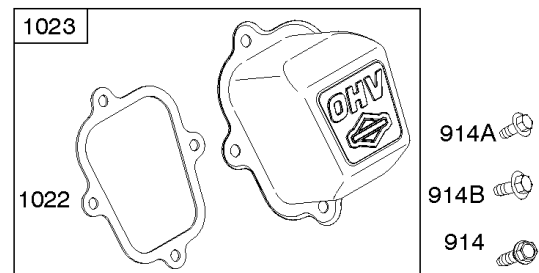
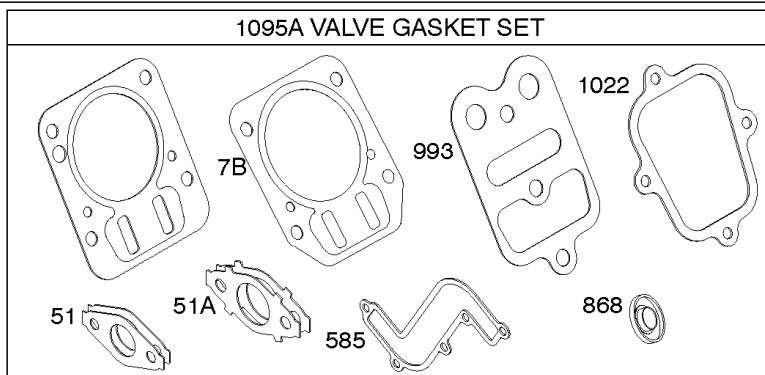
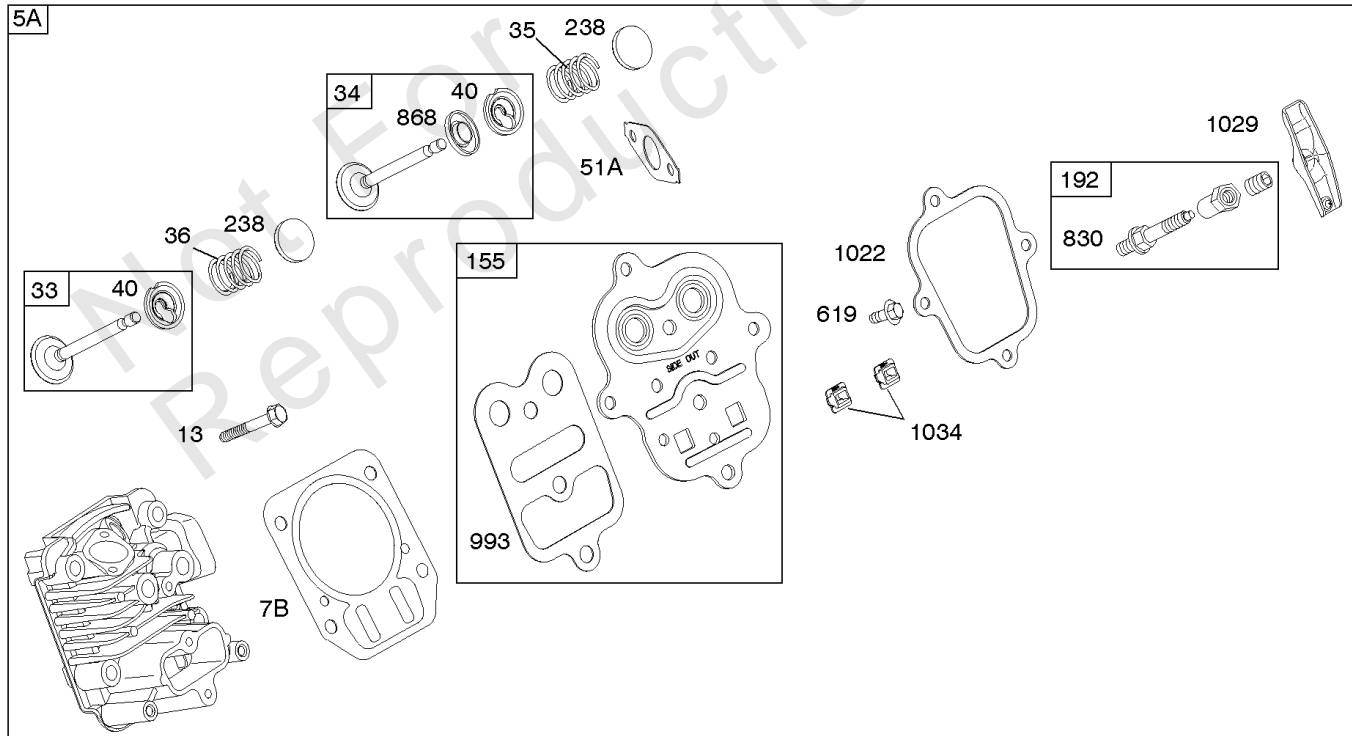
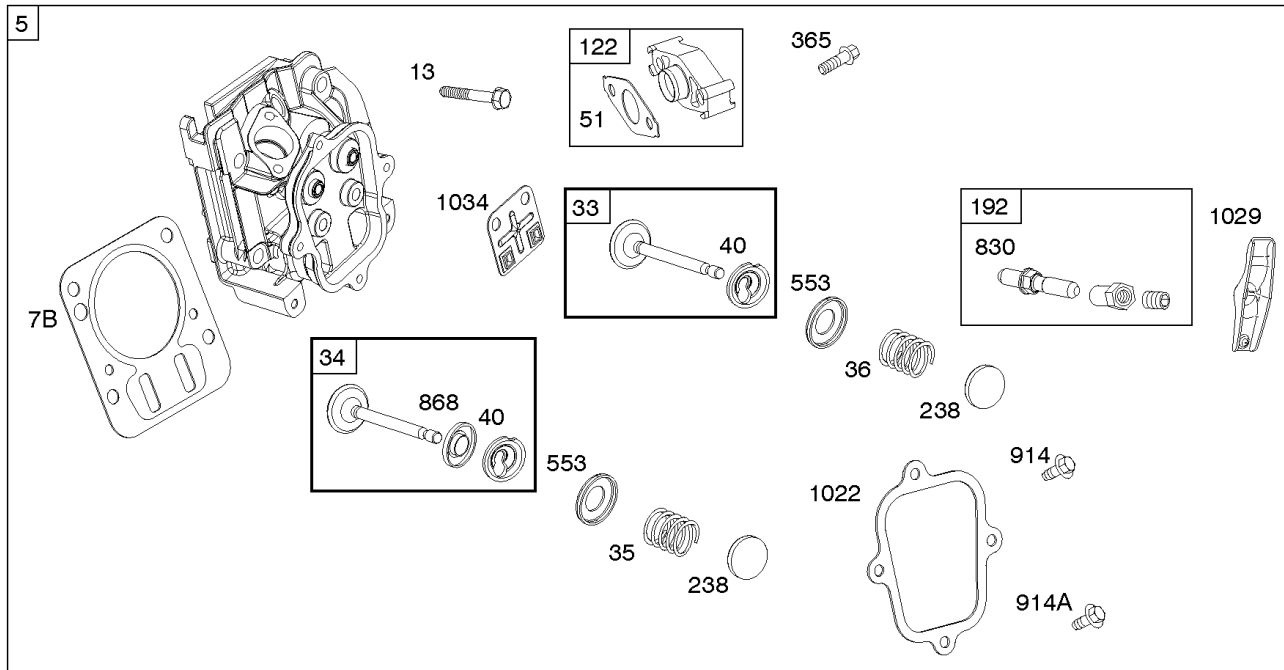
REF NO	PART NO	QTY	DESCRIPTION
577	690795		CABLE, Starter
578	692306		WIRE ASSEMBLY
578B	790948		Wire Assembly
579	691029		NUT -(Starter Cable)
604	697326		Cover-Control
621	692310		Switch-Stop
627	792608		Bracket-Stopswitch
632	693408		Spring/Link-Mechanical Governor
652	699755		Screw -(Support Bracket)
652A	699230		Screw -(Support Bracket)
663	699206		Screw -(Control Panel)
668	694257		Spacer
773	694258		Retainer -(Control Bracket)
813	690635		CLAMP
843A	695588		SLEEVE, Lever
851	493880S		TERMINAL, Spark Plug
890	790203		Bracket-Support
892	791944		Switch-Key
920	846820		SOLENOID, Starter
990	794696		Key Set
1054	280275		Tie-Cable
1119	699772		SCREW -(Alternator)
1230	699847		Stud -(Control Bracket)





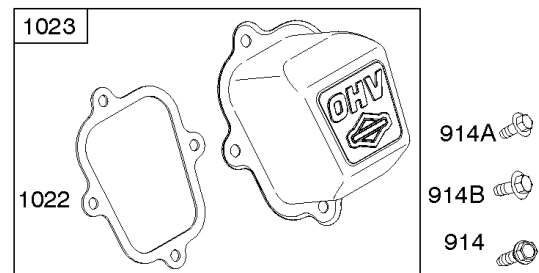
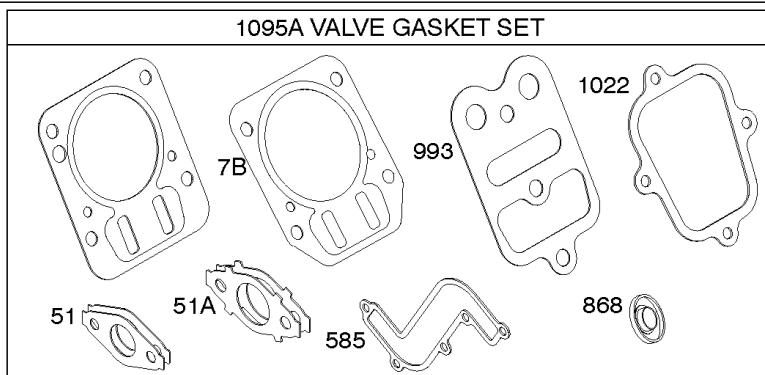
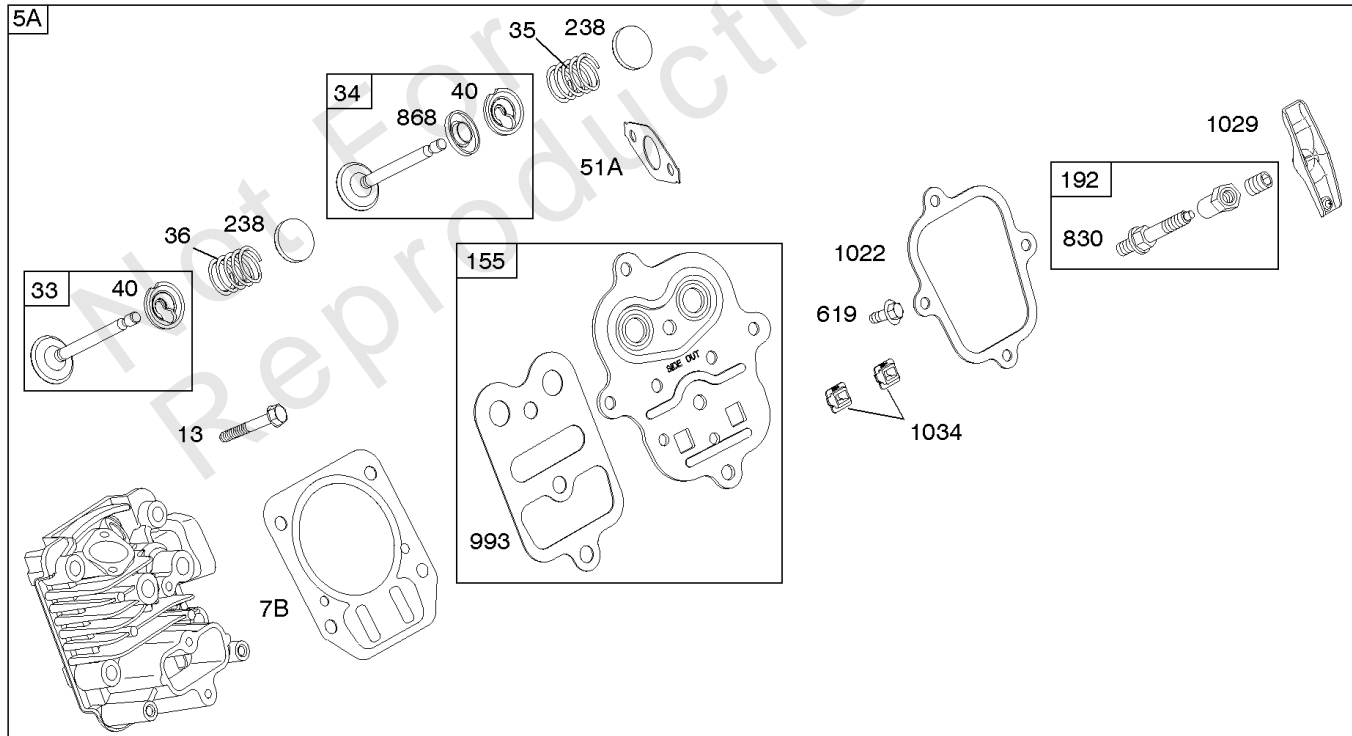
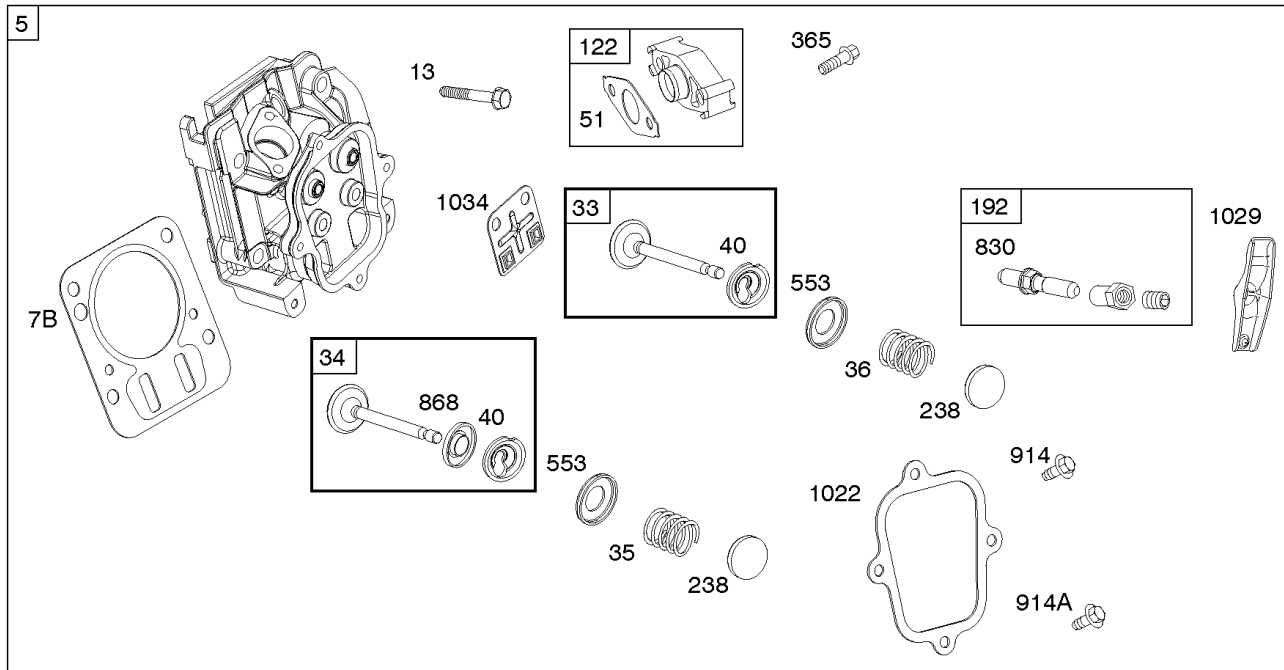
## Crankcase Cover, Lubrication

REF NO	PART NO	QTY	DESCRIPTION
12	699485		Gasket-Crankcase
17	798538		Bearing-Ball
18	699804		Cover-Crankcase
20	692550		Seal-Oil -(PTO Side)
20A	691952		Seal-Oil -(PTO Side)
21	281658S		Cap-Oil Fill
22	594519		Screw -(Crankcase Cover/Sump)
219	693578		GEAR, Governor
220	691724		Washer -(Governor Gear)
286	794185		MODULE-OIL SENSOR
287	699234		Screw -(Dipstick Tube)
364	695693		Terminal-Oil Plug
415	693463		Plug -(Crankcase Cover/Sump)
522	798503		PLUG, Dipstick/Fill
523	693618		Dipstick
524	281370S		Seal-Dipstick Tube
742	692564		RETAINER, E Ring -(Idler Gear)
746	790278		Gear-Idler
799	699202		Screw -(Oil Sensor)
842	795015		Seal-O Ring -(Dipstick Tube)
847	693617		Dipstick/Tube Assembly
1052	790141		Sensor-Oil
1305	699691		SCREW -(Oil Sensor Module)



## Cylinder Head

REF NO	PART NO	QTY	DESCRIPTION
5	594701		Head-Cylinder -Used After Code Date 14090300
5A	791720		Head-Cylinder -Used Before Code Date 14090400
7B	791716		Gasket-Cylinder Head
13	594518		Screw -(Cylinder Head) -Used Before Code Date 14090100
13	594518		Screw -(Cylinder Head) -Used After Code Date 14083100
33	499642		Valve-Exhaust
34	795443		Valve-Intake
35	691304		Spring-Valve -(Intake)
36	691304		Spring-Valve -(Exhaust)
40	692194		Retainer-Valve
45	690977		TAPPET, Valve
51	692555		Gasket-Intake
51A	791718		Gasket-Intake
122	791717		Spacer-Carburetor -(Natural)
155	797442		Plate-Cylinder Head -(Metric) -Used After Code Date 09061700
155	698214		Plate-Cylinder Head -(SAE) -Used Before Code Date 09061800
192	594382		Adjuster-Rocker Arm -Used After Code Date 14083100
192	694543		Adjuster-Rocker Arm -(SAE) -Used Before Code Date 09061800
192	797440		Adjuster-Rocker Arm -(Metric) -Used After Code Date 09061700 -Used Before Code Date 14090100
238	691300		Cap-Valve
337	491055S		PLUG, Spark -(Resistor)
365	699484		Screw -(Carburetor)
383	19576S		WRENCH, Spark Plug
553	594515		Retainer-Valve Spring
585	791760		Gasket-Breather Passage
619	699481		SCREW -(Cylinder Head Plate)
635	692076		BOOT, Spark Plug
635A	798619		Boot-Spark Plug
830	797441		Stud-Rocker Arm -(Metric) -Used After Code Date 09061700 -Used Before Code Date 14090400
830	694544		Stud-Rocker Arm -(SAE) -Used Before Code Date 09061800
830	594230		Stud-Rocker Arm -Used After Code Date 14090300



## Cylinder Head

REF NO	PART NO	QTY	DESCRIPTION
868	795440		Seal-Valve
914	699481		SCREW -(Rocker Cover) (Bottom)
914A	594517		Screw -(Rocker Cover) (Quantity 1 Top Or Center) -Used After Code Date 14083100
914A	692557		Screw -(Rocker Cover) (Top) -Used Before Code Date 09061800
914A	797444		Screw -(Rocker Cover) (Quantity 1 Top Or Center) -Used After Code Date 09061700 -Used Before Code Date 14090100
914B	691108		SCREW -(Rocker Cover) (Center) -Used Before Code Date 09061800
993	694088		Gasket-Cylinder Head Plate
1022	691890		Gasket-Rocker Cover
1023	499924		Cover-Rocker
1026	790287		Rod-Push
1029	691230		Arm-Rocker -(SAE) -Used Before Code Date 09061800
1029	797443		Arm-Rocker -(Metric) -Used After Code Date 09061700
1034	594229		Guide-Push Rod -Used After Code Date 14090300
1034	691343		Guide-Push Rod -Used Before Code Date 14090400
1095A	791798		Gasket Set-Valve

