



Illustrated Parts List

Model Series

150200

TYPE NUMBERS
0008 through 2571.

TABLE OF CONTENTS

Air Cleaner	5
Blower Housing	6
Camshaft	2
Carburetor	4
Controls	5
Crankcase Cover	2
Crankshaft	2
Cylinder	2
Cylinder Head	3
Electric Starter	6
Exhaust System	5
Flywheel	6
Fuel Supply	4
Governor Spring	5
Ignition	5
Kits/Gaskets - Carburetor	4
Kits/Gaskets - Engine	2
Kits/Gaskets - Valve	3
Lubrication	2
Piston Group	2
Rewind Starter	6

PRINTED IN U.S.A.



COPYRIGHT by BRIGGS & STRATTON CORPORATION
All rights reserved. No part of this material may be reproduced or transmitted,
in any form or by any means, electronic or mechanical, including photocopying,
recording or by any information storage and retrieval system, without permission
in writing from Briggs & Stratton Corporation.

1319 WARNING LABEL



REQUIRED when replacing parts with warning labels affixed.

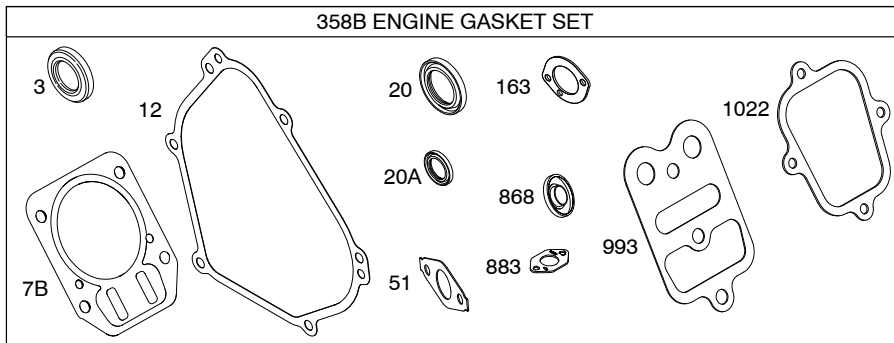
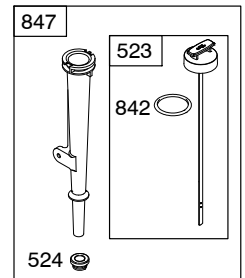
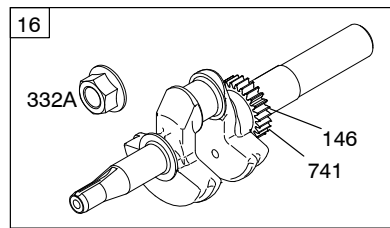
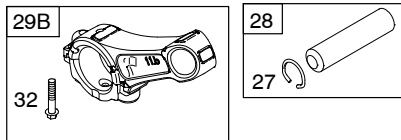
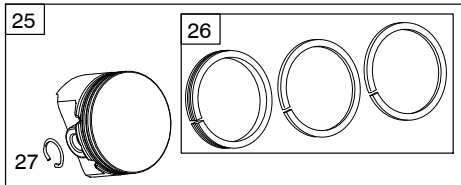
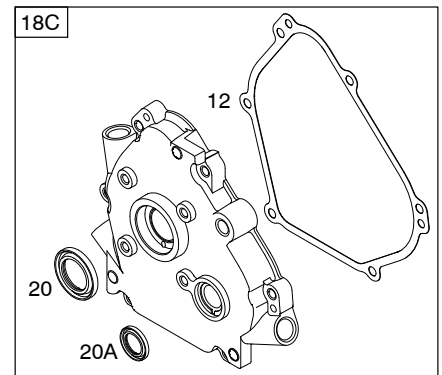
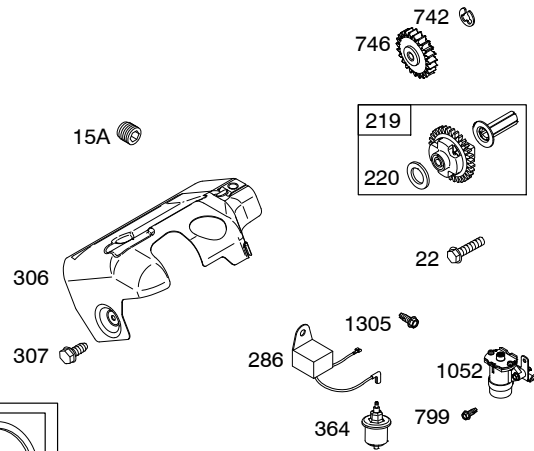
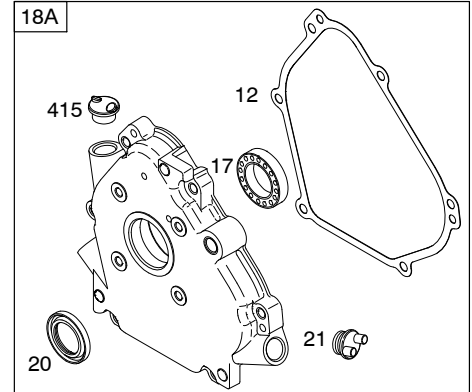
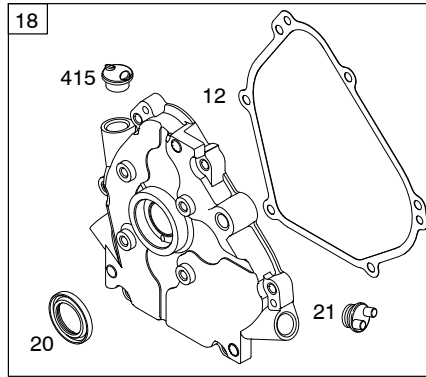
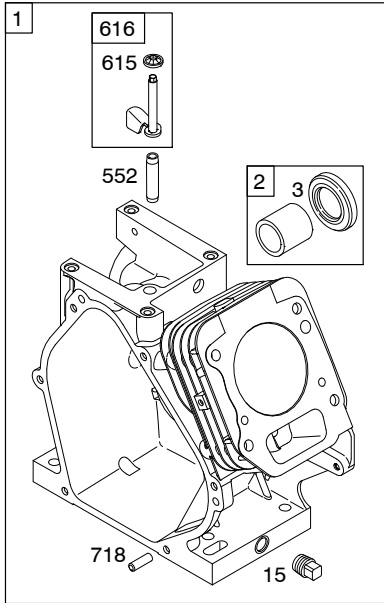
1058 OPERATOR'S MANUAL



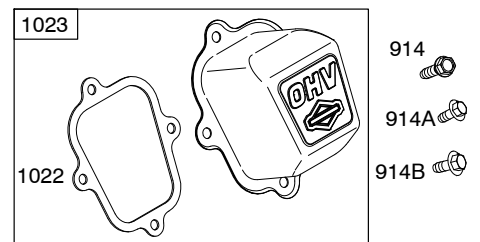
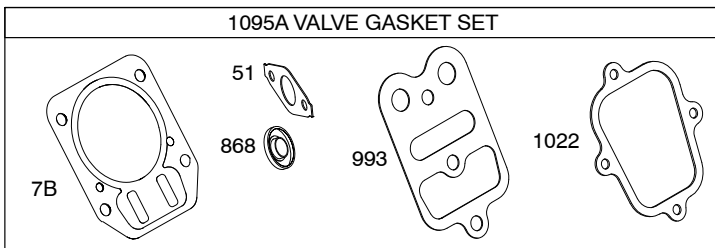
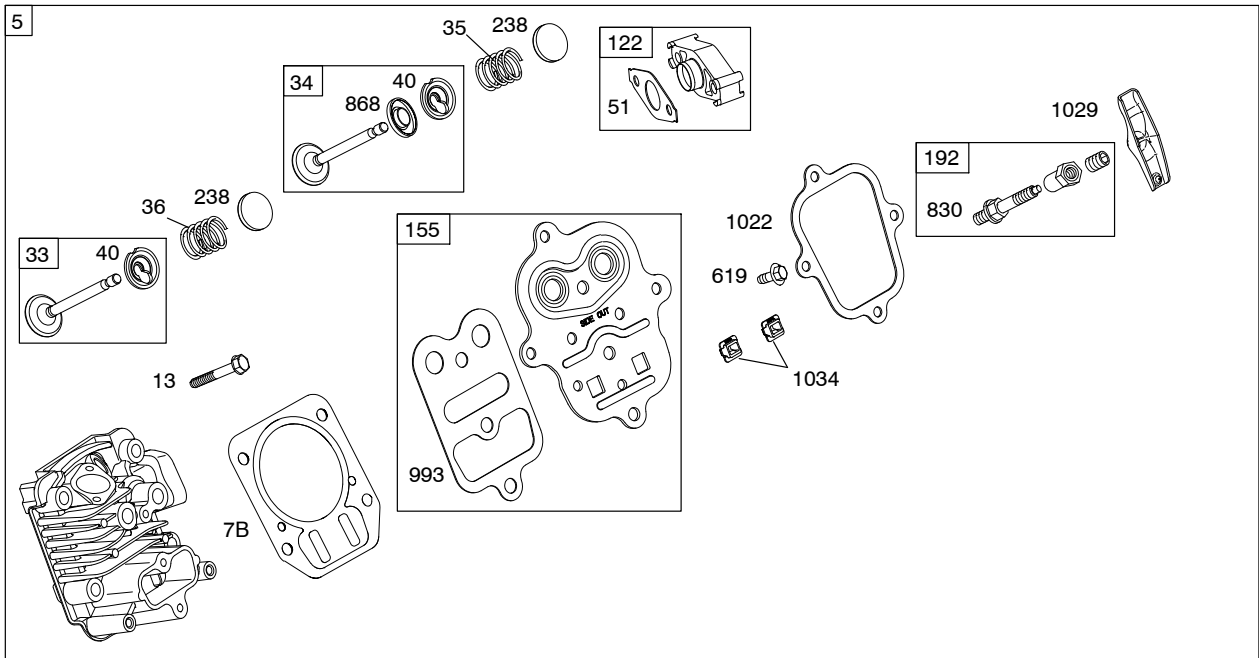
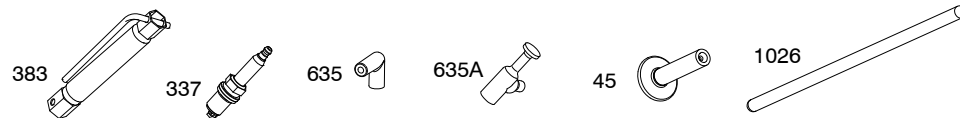
1330 REPAIR MANUAL

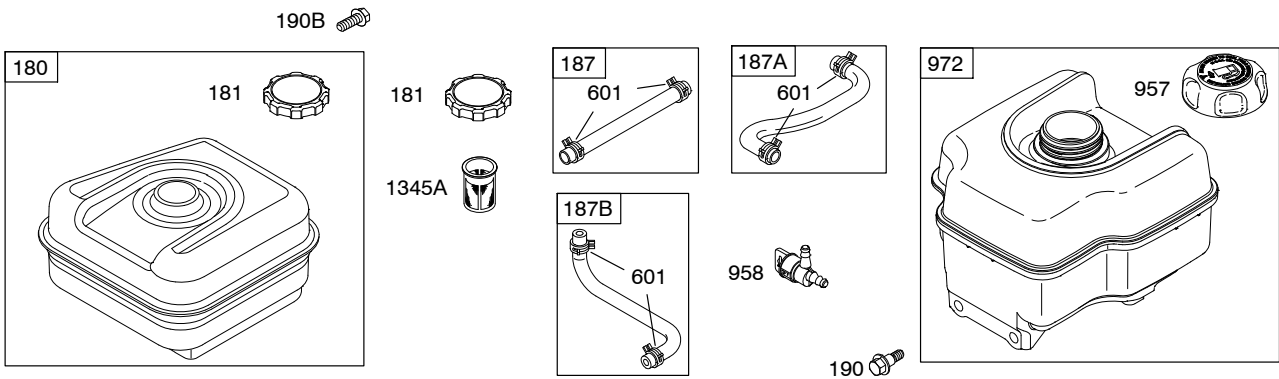
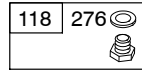
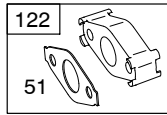
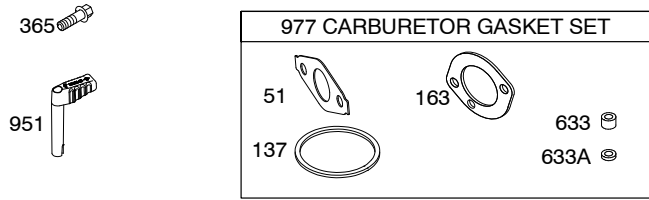
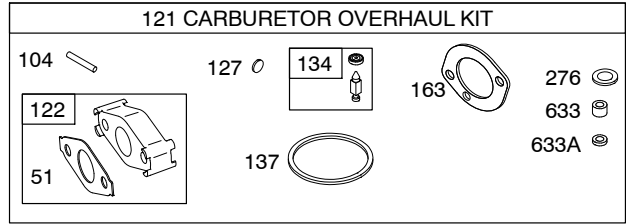
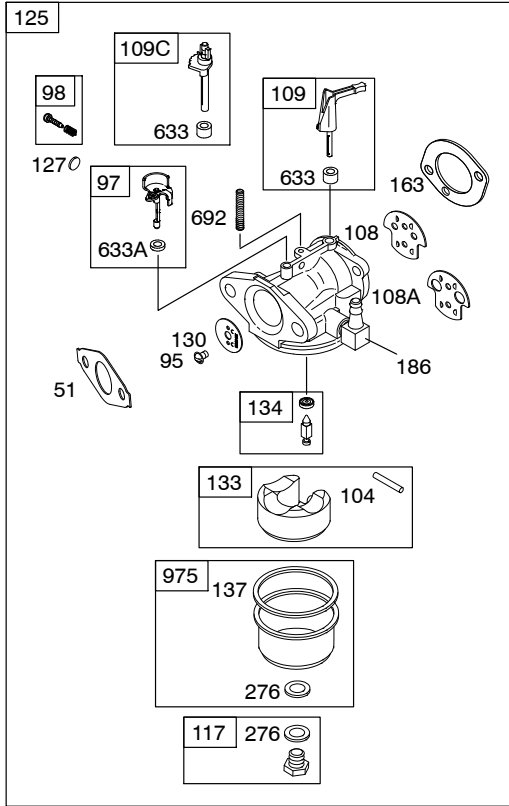


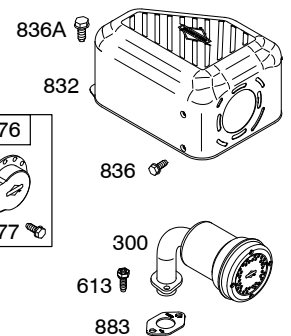
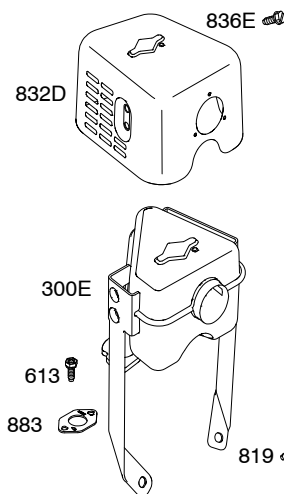
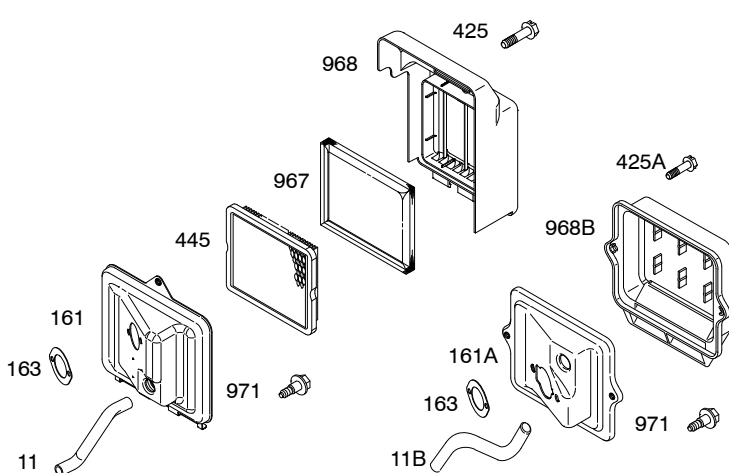
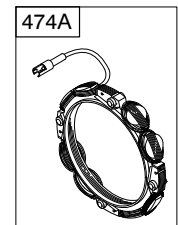
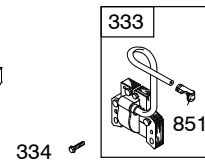
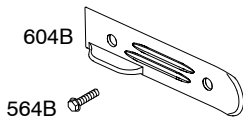
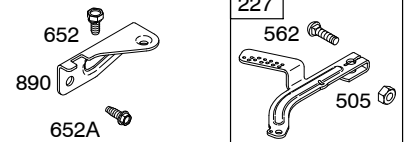
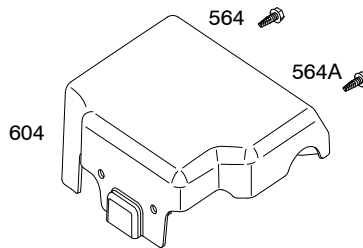
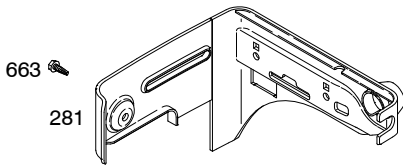
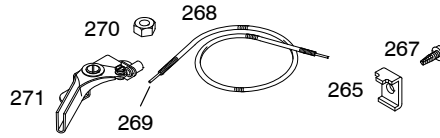
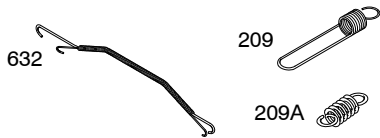
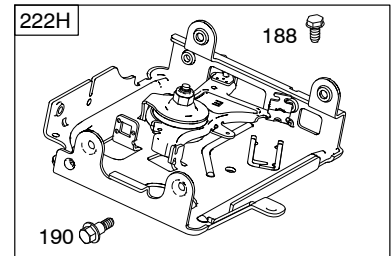
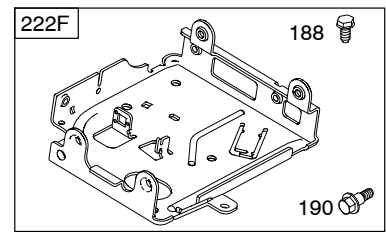
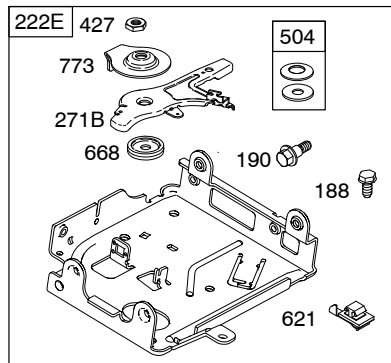
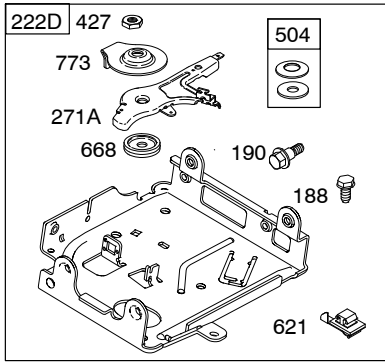
1019 LABEL KIT



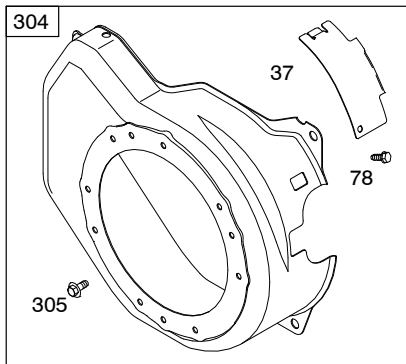
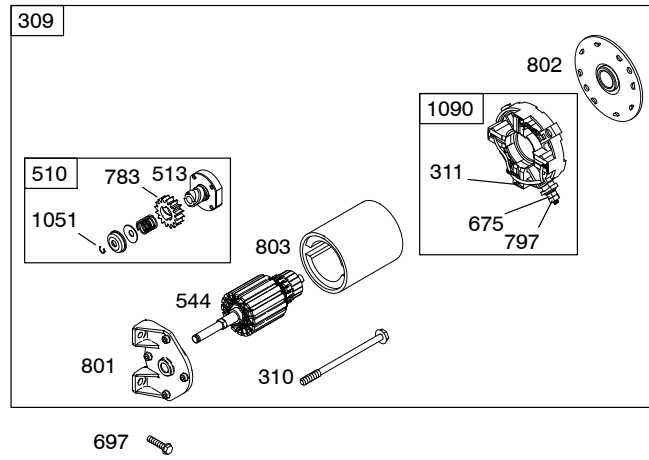
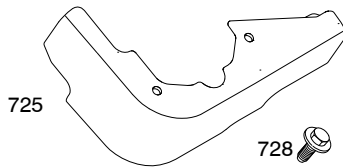
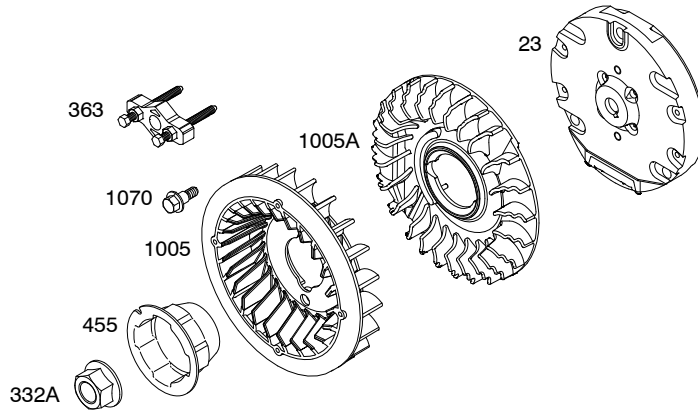
Illustrations cover a range of engines. Parts shown without corresponding text may not be used on your specific engine.
3796-2 Assemblies include all parts shown in frames. **08/15/2008**



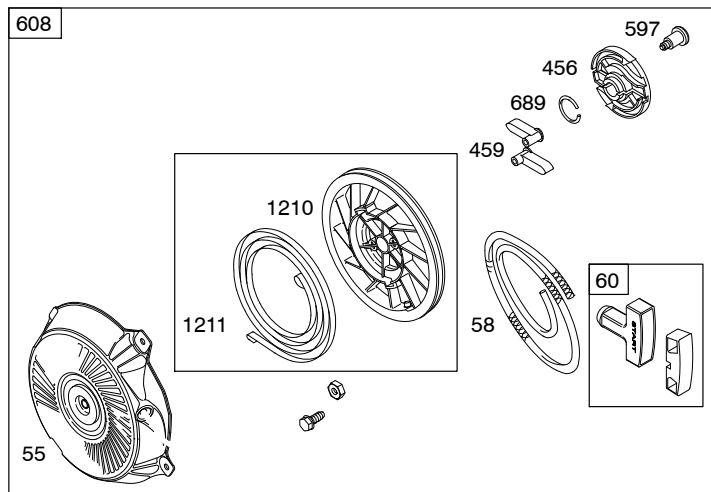




Illustrations cover a range of engines. Parts shown without corresponding text may not be used on your specific engine.
 3796-5 Assemblies include all parts shown in frames. 08/15/2008



1036 EMISSIONS LABEL



REF. NO.	PART NO.	DESCRIPTION	REF. NO.	PART NO.	DESCRIPTION	REF. NO.	PART NO.	DESCRIPTION	
1	794188	Cylinder Assembly	17	692517	Bearing-Ball	46	693404	Camshaft	
2	399269	Kit-Bushing/Seal (Magneto Side)	18	699804	Cover-Crankcase	46A	695285	Camshaft	
3	★299819S	Seal-Oil (Magneto Side)	18A	699672	Cover-Crankcase	51★●◆	∅791718	Gasket-Intake	
5	791720	Head-Cylinder	18C	699677	Cover-Crankcase	55	791848	Housing-Rewind Starter (Used After Code Date 08030200).	
7B	★∅791716	Gasket-Cylinder Head	20	★692550	Seal-Oil (PTO Side)			----- Note -----	
11	692600	Tube-Breather (Flat Panel Air Cleaner)	20A	★691952	Seal-Oil (PTO Side)			691422 Housing- Rewind Starter (Used Before Code Date 08030300).	
11B	790632	Tube-Breather (Ultra Low Air Cleaner)	21	281658S	Cap-Oil Fill			Used With 3MM Diameter Starter Rope)	
12	★699485	Gasket-Crankcase	22	699478	Screw (Crankcase Cover/ Sump)			(Rewind Starter Parts Used With 3MM Diameter Starter Rope)	
13	699482	Screw (Cylinder Head)	23	699488	Flywheel			791848 Housing- Rewind Starter (Used Before Code Date 08030300).	
15	691686	Plug-Oil Drain (Square Head)			----- Note -----			Used With 5MM Diameter Starter Rope)	
15A	691682	Plug-Oil Drain (Flush)	24	222698S	Key-Flywheel			(Used Before Code Date 08030300).	
16	792977	Crankshaft Used on Type No(s). 0124, 0560, 2560, 2571.	25	791786	Piston Assembly (Standard)			(Rewind Starter Parts Used With 5MM Diameter Starter Rope)	
		----- Note -----			----- Note -----				
		793199 Crankshaft Used on Type No(s). 0115, 0121, 0526.	26	791787	Ring Set (Standard)		58	693389	Rope-Starter (Used After Code Date 08030200).
		792208 Crankshaft Used on Type No(s). 0119, 0120, 0523.			----- Note -----			----- Note -----	
		699443 Crankshaft Used on Type No(s). 0114, 0117, 2117, 2536, 2550.	27	690975	Lock-Piston Pin			693389 Rope-Starter (Used Before Code Date 08030300).	
		699445 Crankshaft Used on Type No(s). 0122, 2119, 2523.	28	690229	Pin-Piston			(Rewind Starter Parts Used With 3MM Diameter Starter Rope)	
		699447 Crankshaft Used on Type No(s). 2121, 2526.	29B	791783	Rod-Connecting			66574 Rope-Starter (Used Before Code Date 08030300).	
		792978 Crankshaft Used on Type No(s). 0008, 0658.	32	791784	Screw (Connecting Rod)			(Rewind Starter Parts Used With 5MM Diameter Starter Rope)	
			33	499642	Valve-Exhaust				
			34	499641	Valve-Intake				
			35	691304	Spring-Valve (Intake)				
			36	691304	Spring-Valve (Exhaust)				
			37	699661	Guard-Flywheel				
			40	692194	Retainer-Valve				
			45	690977	Tappet-Valve				

★ Included in Engine Gasket Set-Ref. No.358.

● Included in Carburetor Overhaul Kit-Ref. No. 121.

◆ Included in Carburetor Gasket Set-Ref. No. 977.

∅ Included in Valve Gasket Set-Ref. No 1095.

Illustrations cover a range of engines. Parts shown without corresponding text may not be used on your specific engine.

150200

REF. NO.	PART NO.	DESCRIPTION	REF. NO.	PART NO.	DESCRIPTION	REF. NO.	PART NO.	DESCRIPTION
60	490652	Grip–Starter Rope (2 Piece)	181	794641	Cap–Fuel Tank (Metal)	222D	793107	Bracket–Control
78	699205	Screw (Flywheel Guard)	186	692317	Connector–Hose	222E	793108	Bracket–Control
95	691636	Screw (Throttle Valve)	187	791766	Line–Fuel (Cut to Required Length)	222F	793100	Bracket–Control
97	690024	Shaft–Throttle	187A	791867	Line–Fuel (Molded)	222H	794365	Bracket–Control
98	398185	Kit–Idle Speed (Carburetor)	187B	791874	Line–Fuel (Molded)	227	692573	Lever–Governor Control
104	●691242	Pin–Float Hinge	188	699479	Screw (Control Bracket)			----- Note ----- 794367 Lever– Governor Control
108	692567	Valve–Choke	190	699220	Screw (Fuel Tank)	238	691300	Valve–Cap
108A	695807	Valve–Choke	190B	699839	Screw (Fuel Tank)	265	691024	Clamp–Casing
109	690023	Shaft–Choke (Straight Handle)	192	694543	Adjustor–Rocker Arm	267	699492	Screw (Casing Clamp)
109C	790624	Shaft–Choke	209	693206	Spring–Governor ----- Note -----	268	691025	Casing–Control Wire (Cut to Required Length)
117	690048	Jet–Main (Standard)		692571	Spring– Governor	269	691026	Wire–Control (Cut to Required Length)
118	493763	Jet–Main (High Altitude)			Used on Type No(s). 0008, 0114, 0117, 0120, 0122, 0658, 2117, 2536.	270	691027	Nut (Control Wire Casing)
121	792006	Kit–Carburetor Overhaul		693710	Spring– Governor	271	691028	Lever–Control
122	★●791717	Spacer–Carburetor			Used on Type No(s). 0119, 2119.	271A	694256	Lever–Control
125	792970	Carburetor	209A	691278	Spring–Governor ----- Note -----	271B	695743	Lever–Control
127	●691739	Plug–Welch		794364	Spring– Governor	276	●271716	Washer–Sealing
130	691181	Valve–Throttle			Used on Type No(s). 0119, 2119.	281	793122	Panel–Control ----- Note -----
133	398187	Float–Carburetor			Used on Type No(s). 0119, 2119.		794366	Panel–Control Used on Type No(s). 0119, 2119.
134	●398188	Kit–Needle/Seat	219	693578	Gear–Governor	286	794185	Module–Oil Sensor
137	●●693981	Gasket–Float Bowl	220	691724	Washer (Governor Gear)	287	699629	Screw (Dipstick Tube)
146	690979	Key–Timing				300	693593	Muffler
155	★698214	Plate–Cylinder Head				300E	791595	Muffler
161	699207	Base–Air Cleaner (Flat Panel Air Cleaner)						
161A	790631	Base–Air Cleaner (Ultra Low Air Cleaner)						
163	★●●696024	Gasket–Air Cleaner (Flat Panel Air Cleaner)						
180	794640	Tank–Fuel (Metal)						

★ Included in Engine Gasket Set–Ref. No.358.

● Included in Carburetor Overhaul Kit–Ref. No. 121.

◆ Included in Carburetor Gasket Set–Ref. No. 977.

⊘ Included in Valve Gasket Set–Ref. No 1095.

Illustrations cover a range of engines. Parts shown without corresponding text may not be used on your specific engine.

REF. NO.	PART NO.	DESCRIPTION	REF. NO.	PART NO.	DESCRIPTION	REF. NO.	PART NO.	DESCRIPTION
304	699598	Housing-Blower	427	694255	Nut (Control Bracket)	608	795930	Starter-Rewind (Used After Code Date 08030200).
305	699481	Screw (Blower Housing)	445	491588S	Filter-Air Cleaner Cartridge			----- Note -----
306	693610	Shield-Cylinder	455	692591	Cup-Flywheel			693394 Starter- Rewind
307	699234	Screw (Cylinder Shield)	456	692299	Plate-Pawl Friction			(Used Before Code Date 08030300).
309	694504	Motor-Starter	459	281505S	Pawl-Ratchet			(Rewind Starter Parts Used With 3MM Diameter Starter Rope)
310	690323	Screw (Starter Motor)	474A	793640	Alternator			791670 Starter- Rewind
311	497608	Brush Set	504	694254	Washer Set-Friction			(Used Before Code Date 08030300).
332A	792723	Nut (Flywheel)	505	691251	Nut (Governor Control Lever)			(Rewind Starter Parts Used With 3MM Diameter Starter Rope)
333	695711	Armature-Magneto	505	691251	Nut (Governor Control Lever)			(Used Before Code Date 08030300).
334	699477	Screw (Magneto Armature)	510	499308	Drive-Starter			(Rewind Starter Parts Used With 5MM Diameter Starter Rope)
337	491055S	Plug-Spark (Resistor)	513	692024	Drive-Clutch			
		----- Note -----	523	790546	Dipstick			
		691043 Plug-Spark (EMS)			----- Note -----			
347	698338	Switch-Rocker			693618 Dipstick			
		----- Note -----			Used on Type No(s). 0008, 0114, 0658, 2536, 2550.	613	699209	Screw (Muffler)
		697854 Switch-Rocker	524	281370S	Seal-Dipstick Tube	615	692576	Retainer-Governor Shaft
		Used on Type No(s). 0114, 0121, 2121, 2536, 2550.	544	692966	Armature-Starter	616	692547	Crank-Governor
356A	692390	Wire-Stop	552	692346	Bushing-Governor Crank	619	699481	Screw (Cylinder Head Plate)
356B	692602	Wire-Stop	562	691119	Bolt (Governor Control Lever)	621	692310	Switch-Stop
356C	695630	Wire-Stop				632	693408	Spring/Link- Mechanical Governor
356G	695814	Wire-Stop	564	699491	Screw (Control Cover)	633	◆◆693867	Seal-Choke/Throttle Shaft
358B	791797	Gasket Set-Engine	564A	699206	Screw (Control Cover)	633A	◆◆691321	Seal-Choke/Throttle Shaft
363	19203	Puller-Flywheel	564B	699854	Screw (Control Cover)	635	692076	Boot-Spark Plug
364	695693	Terminal-Oil Plug	597	691696	Screw (Pawl Friction Plate)	635A	692927	Boot-Spark Plug
365	699484	Screw (Carburetor)	601	791850	Clamp-Hose	652	699755	Screw (Support Bracket)
383	19374S	Wrench-Spark Plug	604	697326	Cover-Control	652A	699481	Screw (Support Bracket)
415	693463	Plug	604B	790473	Cover-Control			
425	699208	Screw (Air Cleaner Cover)						
425A	699492	Screw (Air Cleaner Cover)						

★ Included in Engine Gasket Set-Ref. No.358.

● Included in Carburetor Overhaul Kit-Ref. No. 121.

◆ Included in Carburetor Gasket Set-Ref. No. 977.

⊘ Included in Valve Gasket Set-Ref. No 1095.

Illustrations cover a range of engines. Parts shown without corresponding text may not be used on your specific engine.

150200

REF. NO.	PART NO.	DESCRIPTION	REF. NO.	PART NO.	DESCRIPTION	REF. NO.	PART NO.	DESCRIPTION
663	699206	Screw (Control Panel)	836	699203	Screw (Muffler Guard)	968	692584	Cover–Air Cleaner (Flat Panel Air Cleaner)
668	694257	Spacer	836A	699632	Screw (Muffler Guard)	968B	791082	Cover–Air Cleaner (Ultra Low Air Cleaner)
676	393757	Deflector–Muffler	836E	699755	Screw (Muffler Guard)	971	690370	Screw (Air Cleaner Base)
675	691261	Washer (Brush Retainer)	842	691031	Seal–O Ring (Dipstick Tube)	972	694260	Tank–Fuel
677	690661	Screw (Muffler Deflector)	847	790545	Dipstick/Tube Assembly	975	493640	Bowl–Float
689	691855	Spring–Friction	----- Note ----- 693617 Dipstick/Tube Assembly Used on Type No(s). 0008, 0114, 0658, 2536, 2550.			977	792007	Gasket Set–Carburetor
692	690572	Spring–Detent				993	Ø694088	Gasket–Cylinder Head Plate
697	790537	Screw (Drive Cap)	851	493880S	Terminal–Spark Plug	1005	692592	Fan–Flywheel
718	690959	Pin–Locating	868	★Ø692044	Seal–Valve	1005A	794273	Fan–Flywheel
725	792874	Shield–Heat	883	★691893	Gasket–Exhaust	1019	791811	Kit–Label
728	699632	Screw (Heat Shield)	890	790203	Bracket–Support	1022	★Ø691890	Gasket–Rocker Cover
741	695087	Gear–Timing	914	699481	Screw (Rocker Cover) (Bottom)	1023	499924	Cover–Rocker Arm
742	692564	Retainer–E Ring	914A	692557	Screw (Rocker Cover) (Top)	1026	790287	Rod–Push
746	790278	Gear–Idler	914B	697551	Screw (Rocker Cover) (Center)	1029	691230	Arm–Rocker
773	694258	Retainer	951	790630	Lever–Choke	1034	691343	Guide–Push Rod
783	692353	Gear–Pinion	957	792647	Cap–Fuel Tank	1036		Label–Emissions (Available From An Authorized Briggs & Stratton Sevice Dealer)
797	691029	Nut (Brush Retainer)	958	698180	Valve–Fuel Shut Off	1051	691265	Ring–Retaining
799	699202	Screw (Oil Sensor)	967	493537S	Filter–Pre Cleaner (Flat Panel)	1052	790141	Sensor–Oil
801	694482	Cap–Drive				1058	277040	Operator’s Manual
802	691286	Cap–End				1070	699201	Screw (Flywheel Fan)
803	693757	Housing–Starter				1090	691293	Retainer–Brush
819	699233	Screw (Muffler Bracket)				1095A	791798	Gasket Set–Valve
830	694544	Stud–Rocker Arm				1119	699772	Screw (Alternator)
832	693583	Guard–Muffler						
832D	796240	Guard–Muffler (Used After Code Date 08062400). ----- Note ----- 791600 Guard– Muffler (Used Before Code Date 08062500).						

★ Included in Engine Gasket Set–Ref. No.358.

● Included in Carburetor Overhaul Kit–Ref. No. 121.

◆ Included in Carburetor Gasket Set–Ref. No. 977.

Ø Included in Valve Gasket Set–Ref. No 1095.

Illustrations cover a range of engines. Parts shown without corresponding text may not be used on your specific engine.

REF. NO.	PART NO.	DESCRIPTION	REF. NO.	PART NO.	DESCRIPTION	REF. NO.	PART NO.	DESCRIPTION
1210	791849	Pulley/Spring Assembly (Pulley) (Used After Code Date 08030200). ----- Note ----- 498144 Pulley/Spring Assembly (Pulley) (Used Before Code Date 08030300). (Rewind Starter Parts Used With 3MM Diameter Starter Rope) 791849 Pulley/Spring Assembly (Pulley) (Used Before Code Date 08030300). (Rewind Starter Parts Used With 5MM Diameter Starter Rope)	1211	791849	Pulley/Spring Assembly (Spring) (Used After Code Date 08030200). ----- Note ----- 498144 Pulley/Spring Assembly (Spring) (Used Before Code Date 08030300). (Rewind Starter Parts Used With 3MM Diameter Starter Rope) 791849 Pulley/Spring Assembly (Spring) (Used Before Code Date 08030300). (Rewind Starter Parts Used With 5MM Diameter Starter Rope)	1305	699691	Screw (Oil Sensor Module)
						1319	794467	Label-Warning
						1330	272147	Repair Manual
						1345A	792917	Filter-Filler Neck

★ Included in Engine Gasket Set-Ref. No.358.
● Included in Carburetor Overhaul Kit-Ref. No. 121.

◆ Included in Carburetor Gasket Set-Ref. No. 977.
∅ Included in Valve Gasket Set-Ref. No 1095.

Illustrations cover a range of engines. Parts shown without corresponding text may not be used on your specific engine.
3796-11 Assemblies include all parts shown in frames. **08/15/2008**

