



# Illustrated Parts List

## Model Series

# 123K00

TYPE NUMBERS  
0005 through 3717.

### TABLE OF CONTENTS

Alternator .....	6
Air Cleaner .....	4
Blower Housing/Shrouds .....	5
Camshaft .....	2
Carburetor .....	3
Controls .....	4
Crankshaft .....	2
Cylinder .....	2
Electric Starter .....	6
Electrical .....	6
Engine Sump .....	2
Exhaust System .....	4
Flywheel .....	6
Flywheel Brake .....	6
Fuel Supply .....	4
Governor Spring .....	4
Ignition .....	6
Kits/Gaskets .....	2 & 3
Lubrication .....	2
Piston Group .....	2
Rewind Starter .....	6
Valves .....	2

Not for reproduction



PRINTED IN U.S.A.

COPYRIGHT by BRIGGS & STRATTON CORPORATION  
All rights reserved. No part of this material may be reproduced or transmitted, in any form or by any means, electronic or mechanical, including photocopying, recording or by any information storage and retrieval system, without permission in writing from Briggs & Stratton Corporation.

# 123K00

## 1319 WARNING LABEL



**REQUIRED** when replacing parts with warning labels affixed.

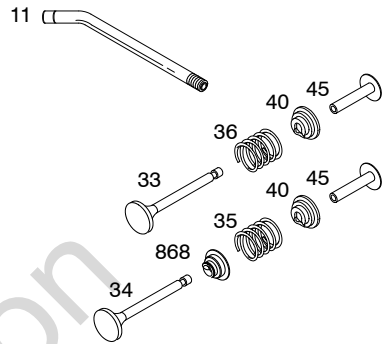
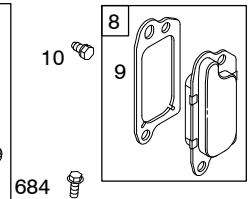
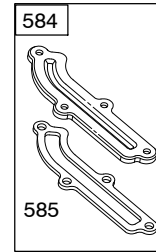
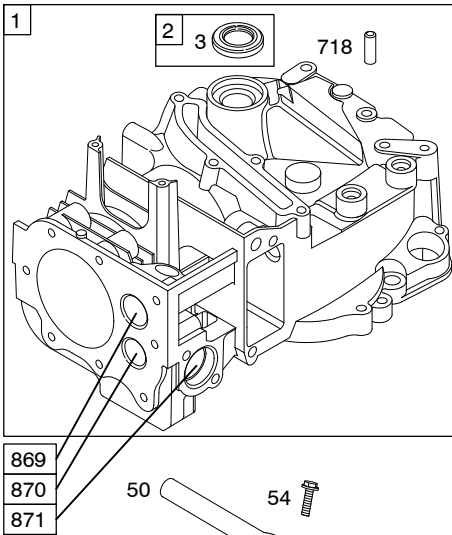
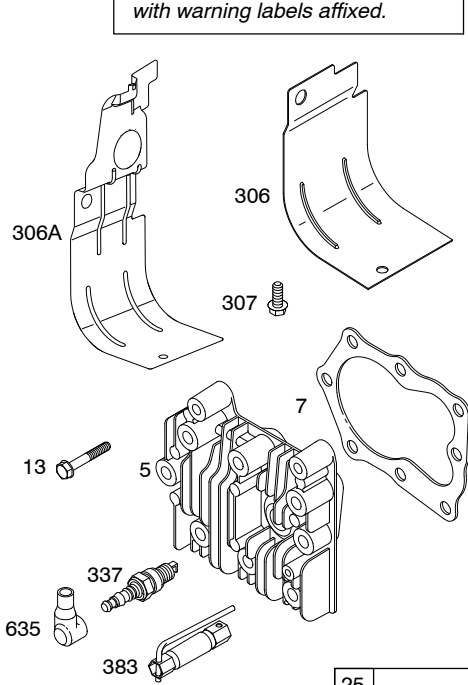
## 1058 OPERATOR'S MANUAL



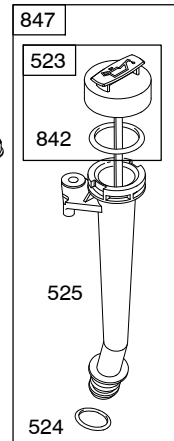
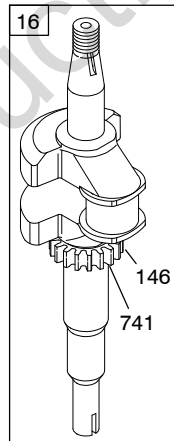
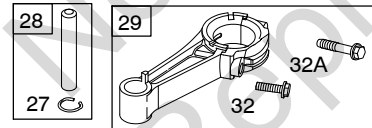
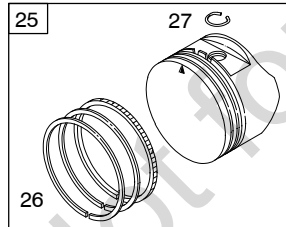
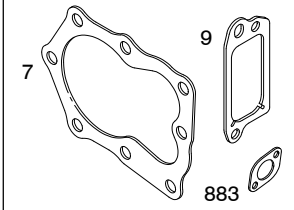
## 1330 REPAIR MANUAL



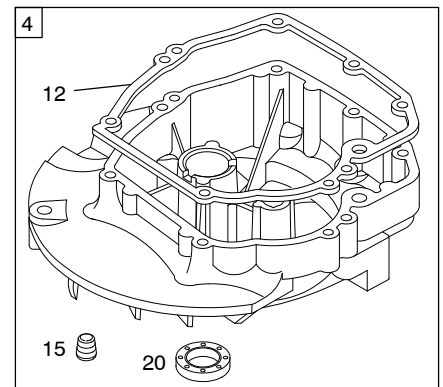
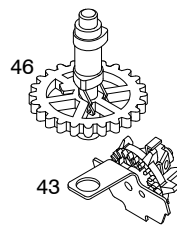
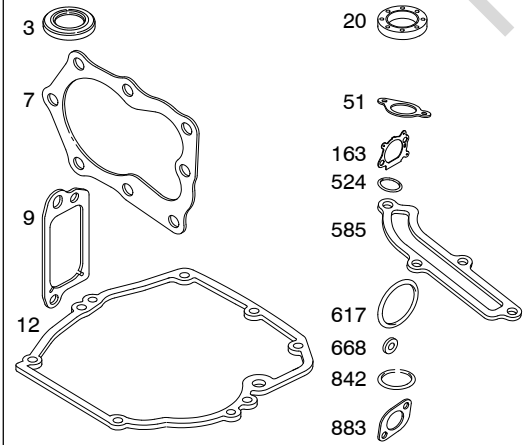
## 1019 LABEL KIT



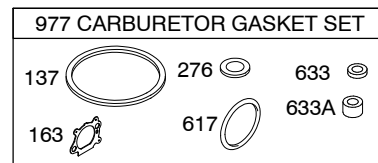
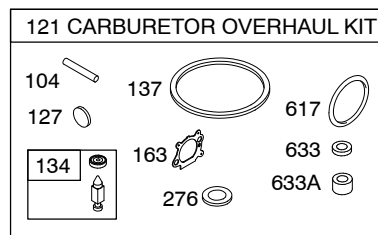
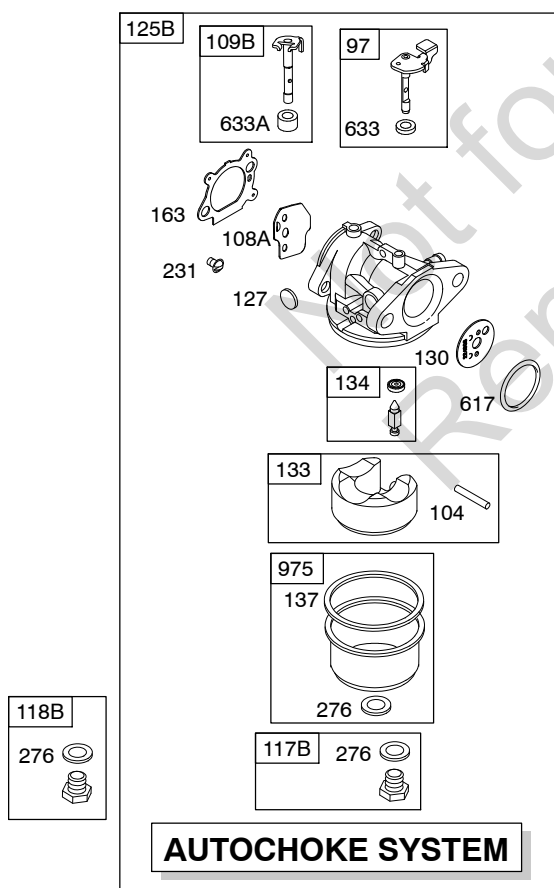
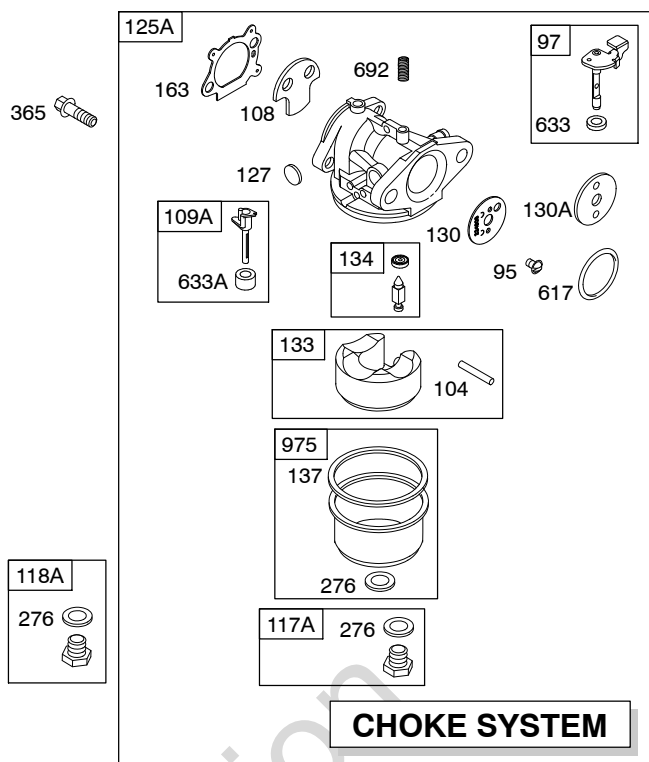
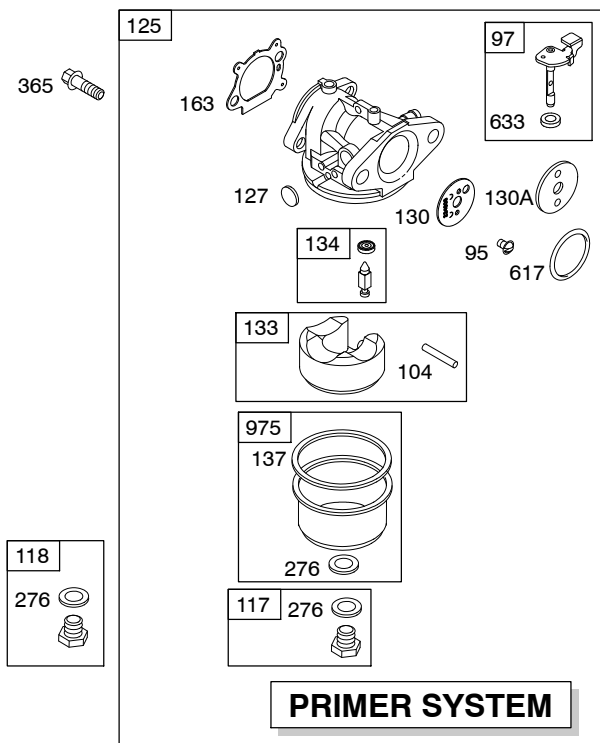
## 1095 VALVE GASKET SET



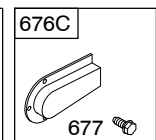
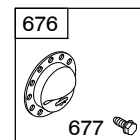
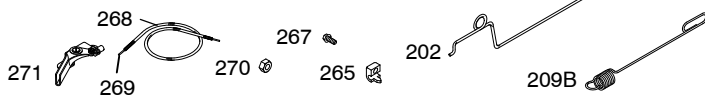
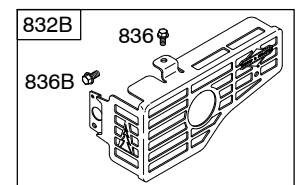
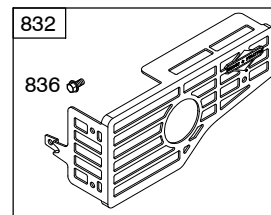
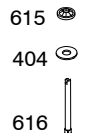
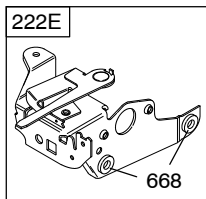
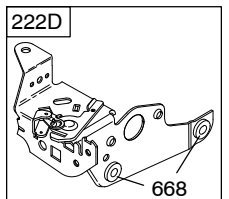
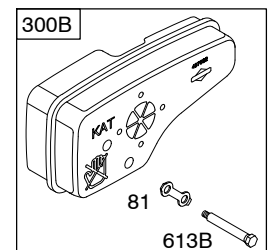
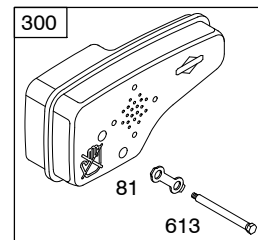
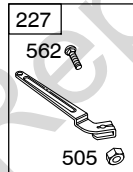
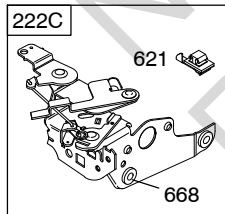
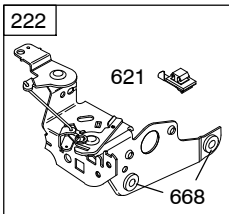
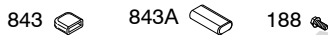
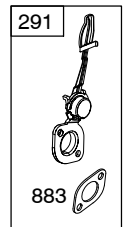
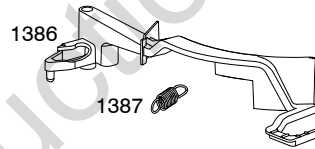
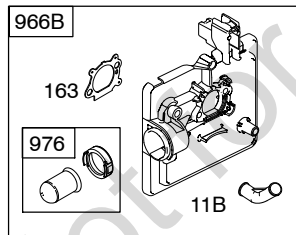
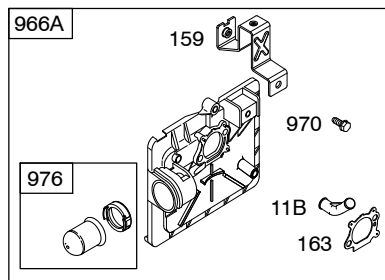
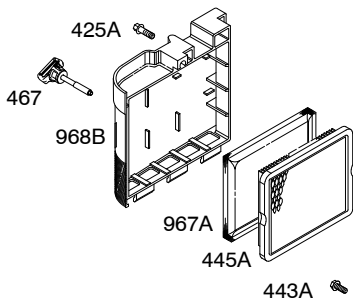
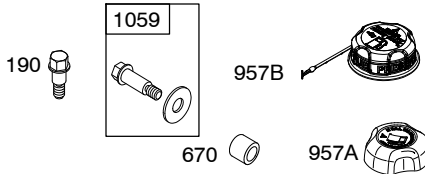
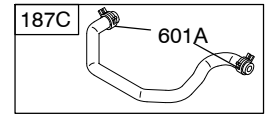
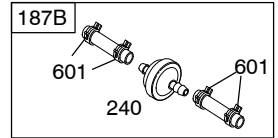
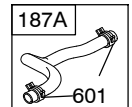
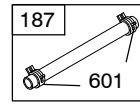
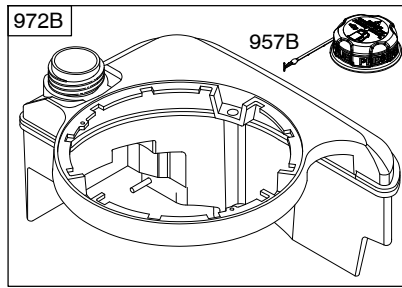
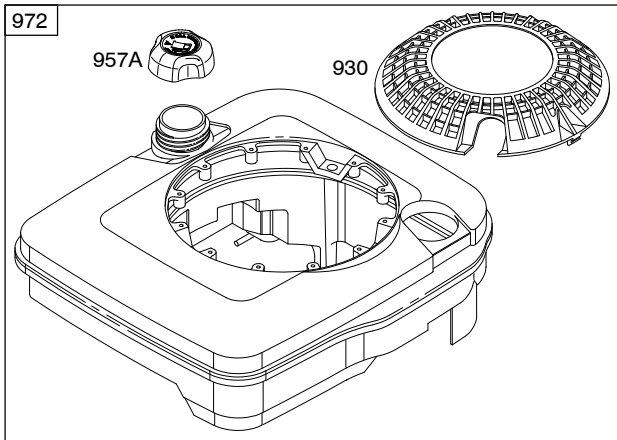
## 358 ENGINE GASKET SET



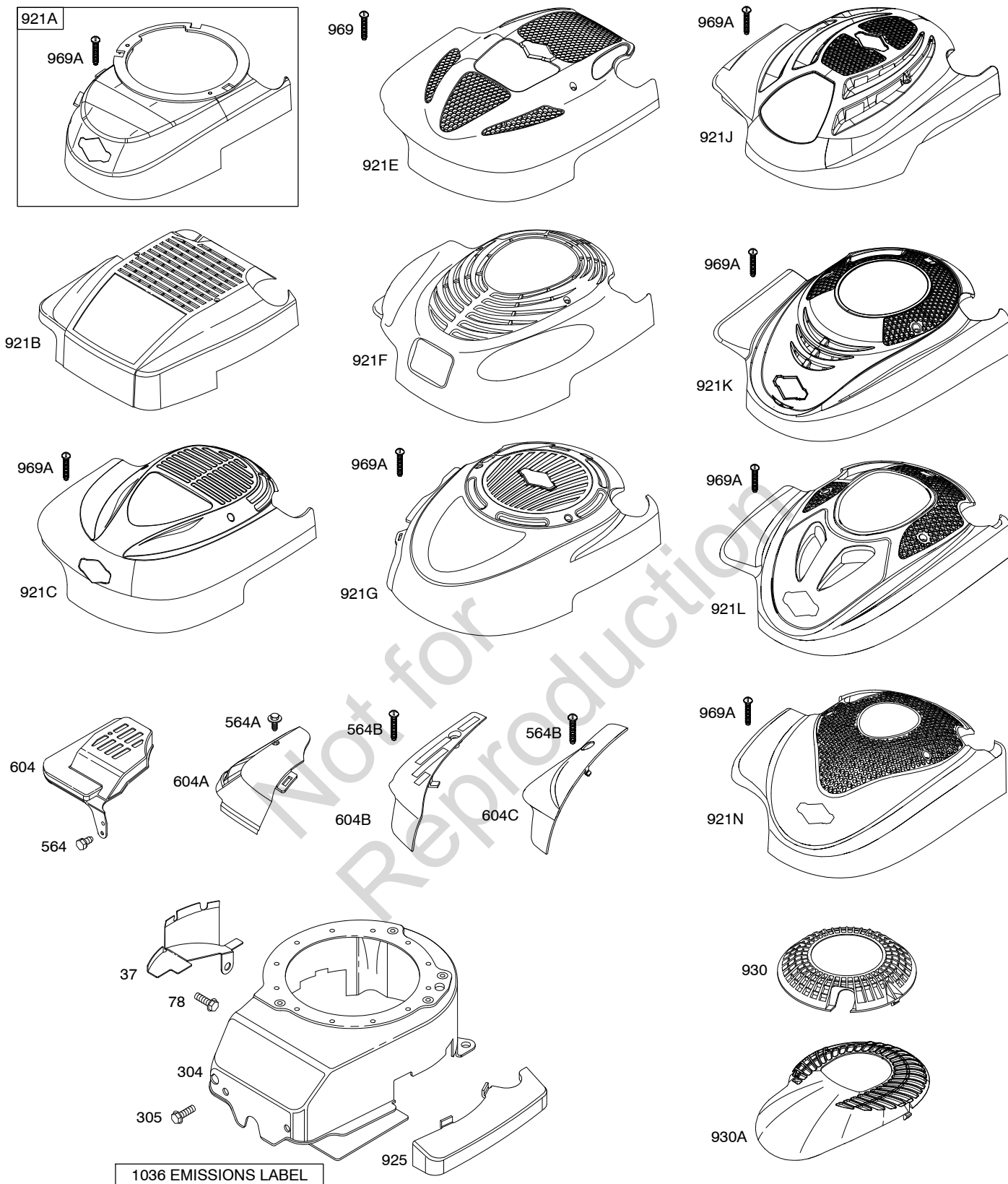
Illustrations cover a range of engines. Parts shown without corresponding text may not be used on your specific engine.



# 123K00

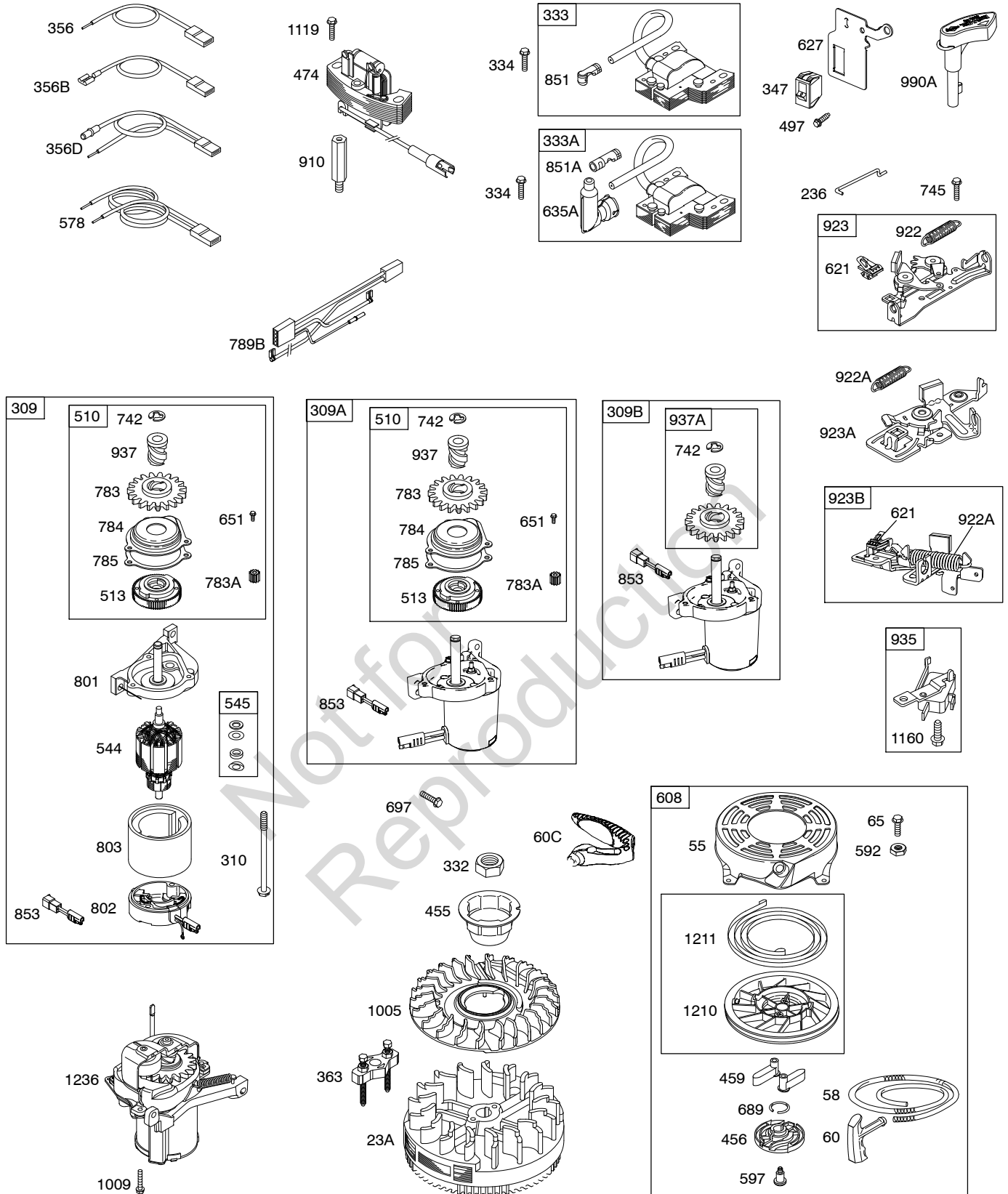


Illustrations cover a range of engines. Parts shown without corresponding text may not be used on your specific engine.  
 5054-4 Assemblies include all parts shown in frames. 12/22/2011



**Illustrations cover a range of engines. Parts shown without corresponding text may not be used on your specific engine.**

# 123K00



Illustrations cover a range of engines. Parts shown without corresponding text may not be used on your specific engine.  
 5054-6 Assemblies include all parts shown in frames. 12/22/2011

REF. NO.	PART NO.	DESCRIPTION	REF. NO.	PART NO.	DESCRIPTION	REF. NO.	PART NO.	DESCRIPTION
1	590401	Cylinder Assembly (Used After Code Date 11063000). ----- <b>Note</b> ----- <b>697322</b> Cylinder Assembly (Used Before Code Date 11070100).	8	590395	Breather Assembly (Used After Code Date 11063000). ----- <b>Note</b> ----- <b>695250</b> Beather-Assembly (Used Before Code Date 11070100).	16	691450	Crankshaft ----- <b>Note</b> ----- <b>691451</b> Crankshaft Used on Type No(s). 0015, 0060, 0062, 0107, 0116, 0117, 0120, 0121, 0127, 0139, 0145, 0147, 0181, 0183, 0184, 0185, 0193, 0194, 0195, 0196, 0197, 0208, 0209, 0210, 0217, 0218, 0222, 0223, 0224, 0225, 0226, 0230, 0231, 0232, 0235, 0237, 0239, 0244, 0261, 0266, 0271, 0273, 0277, 0283, 0307, 0336, 0515, 0560, 0615.
2	399269	Kit-Bushing/Seal (Magneto Side)	9	★ <b>699472</b>	Gasket-Breather (Used After Code Date 11063000). ----- <b>Note</b> ----- <b>699833</b> Gasket-Beather (Used Before Code Date 11070100).			0208, 0209, 0210, 0217, 0218, 0222, 0223, 0224, 0225, 0226, 0230, 0231, 0232, 0235, 0237, 0239, 0244, 0261, 0266, 0271, 0273, 0277, 0283, 0307, 0336, 0515, 0560, 0615.
3	★ <b>299819S</b>	Seal-Oil (Magneto Side)	10	<b>691125</b>	Screw (Breather Assembly)			<b>696009</b> Crankshaft Used on Type No(s). 0114.
4	493279	Sump-Engine ----- <b>Note</b> ----- <b>696294</b> Sump-Engine Used on Type No(s). 0121, 0194, 0244. <b>498983</b> Sump-Engine Used on Type No(s). 0131, 0134, 0138.	11	<b>691781</b>	Tube-Breather			<b>797681</b> Crankshaft Used on Type No(s). 0018, 0126, 0131, 0134, 0138, 0219, 0230, 0234, 0238, 0243, 0289, 0518.
5	590411	Head-Cylinder (Used After Code Date 11063000). ----- <b>Note</b> ----- <b>691160</b> Head-Cylinder (Used Before Code Date 11070100).	11B	<b>691923</b>	Tube-Breather			<b>694849</b> Crankshaft Used on Type No(s). 0005, 0137, 0156, 0236, 0269.
7	★ <b>799875</b>	Gasket-Cylinder Head (Used After Code Date 11063000). ----- <b>Note</b> ----- <b>692249</b> Gasket-Cylinder Head (Used Before Code Date 11070100).	12	★ <b>692232</b>	Gasket-Crankcase			<b>694478</b> Crankshaft Used on Type No(s). 0240, 0332.
			13	<b>590422</b>	Screw (Cylinder Head) (Used After Code Date 11063000). ----- <b>Note</b> ----- <b>690912</b> Screw (Cylinder Head) (Used Before Code Date 11070100).			<b>696290</b> Crankshaft Used on Type No(s). 0113, 0130.
			15	<b>691680</b>	Plug-Oil Drain (Square Socket)			<b>694850</b> Crankshaft Used on Type No(s). 0132, 0509.

★ Included in Engine Gasket Set-Ref. No.358.

● Included in Carburetor Overhaul Kit-Ref. No. 121.

◆ Included in Carburetor Gasket Set-Ref. No. 977.

⊘ Included in Valve Gasket Set-Ref. No 1095.

**Illustrations cover a range of engines. Parts shown without corresponding text may not be used on your specific engine.**

# 123K00

REF. NO.	PART NO.	DESCRIPTION	REF. NO.	PART NO.	DESCRIPTION	REF. NO.	PART NO.	DESCRIPTION
20	★399781S	Seal-Oil (PTO Side)	25	590404	Piston Assembly (Standard) (Used After Code Date 11063000).	26	590402	Ring Set (Standard) (Used After Code Date 11063000).
22	691092	Screw (Crankcase Cover/ Sump)			----- Note ----- <b>797302</b> Piston Assembly (Standard) (Used After Code Date 09041600 and Before Code Date 11070100).			----- Note ----- <b>797304</b> Ring Set (Standard) (Used After Code Date 09041600 and Before Code Date 11070100).
23A	691987	Flywheel ----- Note ----- <b>691992</b> Flywheel Used on Type No(s). 0005, 0113, 0130, 0131, 0132, 0134, 0137, 0138, 0156, 0236, 0238, 0269, 0509. <b>696291</b> Flywheel Used on Type No(s). 0121, 0194, 0244.			<b>795429</b> Piston Assembly (Standard) (Used After Code Date 07090300 and Before Code Date 09041700).			<b>795431</b> Ring Set (Standard) (Used After Code Date 07090300 and Before Code Date 09041700).
24	222698S	Key-Flywheel			<b>791097</b> Piston Assembly (Standard) (Used Before Code Date 07090400).			<b>791098</b> Ring Set (Standard) (Used After Code Date 04031400 and Before Code Date 07090400).
					<b>590405</b> Piston Assembly (.020" Oversize) (Used After Code Date 11063000).			<b>499425</b> Ring Set (Standard) (Used Before Code Date 04031500).
					<b>797303</b> Piston Assembly (.020" Oversize) (Used After Code Date 09041600 and Before Code Date 11070100).			<b>590403</b> Ring Set (.020" Oversize) (Used After Code Date 11063000).
					<b>795430</b> Piston Assembly (.020" Oversize) (Used After Code Date 07090300 and Before Code Date 09041700).			<b>797305</b> Ring Set (.020" Oversize) (Used After Code Date 09041600 and Before Code Date 11070100).
					<b>791326</b> Piston Assembly (.020" Oversize) (Used Before Code Date 07090400).			<b>795432</b> Ring Set (.020" Oversize) (Used After Code Date 07090300 and Before Code Date 09041700).
								<b>791324</b> Ring Set (.020" Oversize) (Used After Code Date 04102100 and Before Code Date 07090400).
								<b>499427</b> Ring Set (.020" Oversize) (Used Before Code Date 04102200).

★ Included in Engine Gasket Set-Ref. No.358.

● Included in Carburetor Overhaul Kit-Ref. No. 121.

◆ Included in Carburetor Gasket Set-Ref. No. 977.

⊗ Included in Valve Gasket Set-Ref. No 1095.

**Illustrations cover a range of engines. Parts shown without corresponding text may not be used on your specific engine.**

5054-8

Assemblies include all parts shown in frames.

12/22/2011



REF. NO.	PART NO.	DESCRIPTION	REF. NO.	PART NO.	DESCRIPTION	REF. NO.	PART NO.	DESCRIPTION
27	691588	Lock-Piston Pin (Used After Code Date 09041600). ----- <b>Note</b> ----- 691866 Lock-Piston Pin (Used Before Code Date 09041700).	34	590393	Valve-Intake (Used After Code Date 11063000). ----- <b>Note</b> ----- 262652S Valve-Intake (Used Before Code Date 11070100).	104	691242	Pin-Float Hinge
28	298909	Pin-Piston (Used After Code Date 09041600). ----- <b>Note</b> ----- 499423 Pin-Piston (Used Before Code Date 09041700).	35	691270	Spring-Valve (Intake)	108	691182	Valve-Choke
29	797306	Rod-Connecting (Used After Code Date 09041600). ----- <b>Note</b> ----- 499424 Rod-Connecting (Used Before Code Date 09041700).	36	691270	Spring-Valve (Exhaust)	108A	795935	Valve-Choke (Used After Code Date 08031200). ----- <b>Note</b> ----- 790844 Valve-Choke (Used Before Code Date 08031300).
32	691664	Screw (Connecting Rod)	37	694086	Guard-Flywheel	109A	498593	Shaft-Choke
32A	695759	Screw (Connecting Rod)	40	692194	Retainer-Valve	109B	795936	Shaft-Choke (Used After Code Date 08031200). ----- <b>Note</b> ----- 790843 Shaft-Choke (Used Before Code Date 08031300).
33	590394	Valve-Exhaust (Used After Code Date 11063000). ----- <b>Note</b> ----- 260651S Valve-Exhaust (Used Before Code Date 11070100).	43	691997	Slinger-Governor/Oil	117	498978	Jet-Main (Standard) ----- <b>Note</b> ----- 494870 Jet-Main (Standard) Used on Type No(s). 0336, 0515, 0518, 0525, 0560, 0562, 0563, 0666, 0717, 1027, 3717.
			45	690548	Tappet-Valve	117A	498978	Jet-Main (Standard) ----- <b>Note</b> ----- 498981 Jet-Main (Standard) Used on Type No(s). 0005, 0113, 0130, 0131, 0134, 0137, 0138, 0236, 0238, 0240, 0269, 0332, 0509.
			46	691449	Camshaft	117B	697355	Jet-Main (Standard)
			50	497465	Manifold-Intake			
			51	272199S	Gasket-Intake			
			54	691650	Screw (Intake Manifold)			
			55	691421	Housing-Rewind Starter			
			58	697316	Rope-Starter (Cut To Required Length)			
			60	281434S	Grip-Starter Rope			
			60C	799716	Grip-Starter Rope			
			65	690837	Screw (Rewind Starter)			
			78	691108	Screw (Flywheel Guard)			
			81	691740	Lock-Muffler Screw			
			95	691636	Screw (Throttle Valve)			
			97	493267	Shaft-Throttle (Metal) ----- <b>Note</b> ----- 696565 Shaft-Throttle (Plastic)			

★ Included in Engine Gasket Set-Ref. No.358.

● Included in Carburetor Overhaul Kit-Ref. No. 121.

◆ Included in Carburetor Gasket Set-Ref. No. 977.

⊘ Included in Valve Gasket Set-Ref. No 1095.

**Illustrations cover a range of engines. Parts shown without corresponding text may not be used on your specific engine.**

# 123K00

REF. NO.	PART NO.	DESCRIPTION	REF. NO.	PART NO.	DESCRIPTION	REF. NO.	PART NO.	DESCRIPTION
118	498975	Jet-Main (High Altitude) ----- <b>Note</b> ----- 497315 Jet-Main (High Altitude) Used on Type No(s). 0336, 0515, 0518, 0525, 0560, 0562, 0563, 0666, 0717, 1027, 3717.	127	●694468	Plug-Welch	209B	699056	Spring-Governor ----- <b>Note</b> ----- 691292 Spring-Governor Used on Type No(s). 0114, 0116, 0117, 0125, 0237, 0243, 0277, 0301, 0302, 0307, 0311, 0337, 0338, 0347, 0424, 0425, 0438, 0440, 0484, 0490, 0511, 0513. 691851 Spring-Governor Used on Type No(s). 0119, 0122, 0123, 0124, 0135, 0141, 0153, 0154, 0156. 691852 Spring-Governor Used on Type No(s). 0121, 0142. 691290 Spring-Governor Used on Type No(s). 0005, 0134, 0138, 0145, 0236, 0269. 691291 Spring-Governor Used on Type No(s). 0113, 0126, 0130, 0131, 0132, 0137, 0240, 0332, 0509. 790944 Spring-Governor Used on Type No(s). 0238.
118A	497466	Jet-Main (High Altitude) ----- <b>Note</b> ----- 494870 Jet-Main (High Altitude) Used on Type No(s). 0005, 0113, 0130, 0131, 0134, 0137, 0138, 0236, 0238, 0240, 0269, 0332, 0509.	130	696564	Valve-Throttle			
118B	692677	Jet-Main (High Altitude)	130A	691203	Valve-Throttle			
121	498260	Kit-Carburetor Overhaul	133	398187	Float-Carburetor			
125	498170	Carburetor (Primer System) ----- <b>Note</b> ----- 790821 Carburetor (Primer System) Used on Type No(s). 0336, 0515, 0518, 0525, 0560, 0562, 0563, 0666, 0717, 1027, 3717.	134	●398188	Kit-Needle/Seat			
125A	499059	Carburetor (Choke System) ----- <b>Note</b> ----- 792253 Carburetor (Choke System) Used on Type No(s). 0005, 0113, 0130, 0131, 0134, 0137, 0138, 0236, 0238, 0240, 0269, 0332, 0509.	137	●796610	Gasket-Float Bowl (1/8" Thick) ----- <b>Note</b> ----- 693981 Gasket-Float Bowl (1/16" Thick)			
125B	790845	Carburetor (Autochoke System)	146	690979	Key-Timing			
			159	691753	Bracket-Air Cleaner Primer			
			163★●272653	Gasket-Air Cleaner				
			187	791766	Line-Fuel (Cut to Required Length)			
			187A	791873	Line-Fuel (Molded)			
			187B	791891	Line-Fuel (Includes Filter)			
			187C	791875	Line-Fuel (Molded)			
			188	693399	Screw (Control Bracket)			
			190	690940	Screw (Fuel Tank)			
			202	691829	Link-Mechanical Governor			

★ Included in Engine Gasket Set-Ref. No.358.

● Included in Carburetor Overhaul Kit-Ref. No. 121.

◆ Included in Carburetor Gasket Set-Ref. No. 977.

⊘ Included in Valve Gasket Set-Ref. No 1095.

**Illustrations cover a range of engines. Parts shown without corresponding text may not be used on your specific engine.**

REF. NO.	PART NO.	DESCRIPTION	REF. NO.	PART NO.	DESCRIPTION	REF. NO.	PART NO.	DESCRIPTION
222	790143	Bracket-Control (Remote/Manual Friction)(Primer)	236	691826	Link-Lockout	304	695892	Housing-Blower
222C	692150	Bracket-Control (Variable Speed) (5 Postion Manual Choke)	240	298090S	Filter-Fuel	----- Note -----		493293 Housing-Blower
222E	692982	Bracket-Control (Manual Friction, 5 Postion Manual Choke)	265	690798	Clamp-Casing			Used on Type No(s). 0015, 0018, 0025, 0060, 0062, 0107, 0113, 0114, 0117, 0120, 0127, 0130, 0131, 0132, 0134, 0138, 0147, 0153, 0184, 0210, 0218, 0223, 0225, 0302, 0330, 0515, 0518, 0525, 0560, 0562, 0587, 0589, 0611, 0717, 3717.
222D	692467	Bracket-Control (Fixed Speed)	267	691044	Screw (Casing Clamp)			493294 Housing-Blower
		----- Note -----	268	691025	Casing-Control Wire (Cut to Required Length)			Used on Type No(s). 0005, 0126, 0134, 0137, 0156, 0236, 0238, 0240, 0269, 0332, 0509.
		791128 Bracket-Control (Fixed Speed)	269	691026	Wire-Control (Cut to Required Length)			696298 Housing-Blower
		Used on Type No(s). 0145, 0154, 0478, 0479, 0481, 0576, 0582, 0587, 0589, 0592, 0609, 0611, 0613, 0618, 0630, 0631, 0639, 0657, 0664, 0665, 0666, 0674, 0717, 0887, 1027, 3717.	270	691027	Nut (Control Wire Casing)			Used on Type No(s). 0121, 0194, 0244.
227	690783	Lever-Governor Control	271	691028	Lever-Control			790826 Housing-Blower
231	691636	Screw (Choke Valve)	276 ♦	271716	Washer-Sealing (Main Jet)			Used on Type No(s). 0479, 0481, 0592, 0615, 0625, 0630, 0664, 0665, 0887.
			287	690940	Screw (Dipstick Tube)			790983 Housing-Blower
			291	790830	Thermostat			Used on Type No(s). 0478, 0674.
			300	692038	Muffler			694092 Housing-Blower
					----- Note -----			Used on Type No(s). 0145.
					790828 Muffler			
					Used on Type No(s). 0478, 0479, 0481, 0592, 0611, 0615, 0625, 0630, 0664, 0665, 0674, 0887.			
			300B	694048	Muffler (Super Lo Tone Catalyst)			

★ Included in Engine Gasket Set-Ref. No.358.

● Included in Carburetor Overhaul Kit-Ref. No. 121.

♦ Included in Carburetor Gasket Set-Ref. No. 977.

⊗ Included in Valve Gasket Set-Ref. No 1095.

**Illustrations cover a range of engines. Parts shown without corresponding text may not be used on your specific engine.**

# 123K00

REF. NO.	PART NO.	DESCRIPTION	REF. NO.	PART NO.	DESCRIPTION	REF. NO.	PART NO.	DESCRIPTION
305	691108	Screw (Blower Housing)	347	691396	Switch-Rocker	544	690786	Armature-Starter
306	690450	Shield-Cylinder	356	692390	Wire-Stop	545	492919	Washer Set
306A	790836	Shield-Cylinder	356B	693010	Wire-Stop	562	92613	Bolt (Governor Control Lever)
307	690345	Screw (Cylinder Shield)	356D	496381	Wire-Stop	564	690664	Screw (Control Cover)
309	695550	Motor-Starter (Used Before Code Date 07052900).	358	590508	Gasket Set-Engine (Used After Code Date 11063000). ----- Note ----- 794307 Gasket Set-Engine (Used Before Code Date 11070100).	564A	691142	Screw (Control Cover)
309A	795092	Motor-Starter (Used After Code Date 07052800 and Before Code Date 10112800).	363	19069	Flywheel Puller	564B	698589	Screw (Control Cover)
309B	799045	Motor-Starter (Used After Code Date 10112700).	365	691688	Screw (Carburetor)	578	398153	Wire Assembly
310	692327	Bolt (Starter Motor)	383	89838S	Wrench-Spark Plug	584	697734	Cover-Breather Passage
332	690662	Nut (Flywheel)	404	690272	Washer (Governor Crank)	585	★691879	Gasket-Breather Passage
333	802574	Armature-Magneto ----- Note ----- 790817 Armature-Magneto Used on Type No(s). 0336, 0515, 0518, 0525, 0560, 0562, 0563, 0615, 0625, 0666, 0717, 1027, 3717.	425A	690670	Screw (Air Cleaner Cover)	592	690800	Nut (Rewind Starter)
333A	793353	Armature-Magneto	443A	692523	Screw (Air Cleaner Primer Base)	597	691696	Screw (Pawl Friction Plate)
334	691061	Screw (Magneto Armature)	445A	491588S	Filter-Air Cleaner Cartridge	601	791850	Clamp-Hose
337	799876	Plug-Spark (Used After Code Date 11063000). ----- Note ----- 802592S Plug-Spark (Resistor) (Used Before Code Date 11070100). 697451 Plug-Spark (EMS) (Used Before Code Date 11070100).	455	791960	Cup-Flywheel	601A	691038	Clamp-Hose
			456	692299	Plate-Pawl Friction	604	691757	Cover-Control
			459	281505S	Plate-Ratchet	604A	691344	Cover-Control
			467	790842	Knob-Air Cleaner	604B	790703	Cover-Control
			474	691991	Alternator	604C	792418	Cover-Control
			497	690664	Screw (Stopswitch Bracket)	608	497680	Starter-Rewind
			505	691251	Nut (Governor Control Lever)	613	691340	Screw (Muffler)
			510	795093	Drive-Starter			----- Note ----- 790833 Screw (Muffler) Used on Type No(s). 0478, 0479, 0481, 0592, 0611, 0615, 0625, 0630, 0664, 0665, 0674, 0887.
			513	692358	Clutch-Drive	613B	691114	Screw (Muffler)
			523	499621	Dipstick			
			524	★692296	Seal-Dipstick Tube			
			525	495265	Tube-Dipstick			

★ Included in Engine Gasket Set-Ref. No.358.

● Included in Carburetor Overhaul Kit-Ref. No. 121.

◆ Included in Carburetor Gasket Set-Ref. No. 977.

∅ Included in Valve Gasket Set-Ref. No 1095.

**Illustrations cover a range of engines. Parts shown without corresponding text may not be used on your specific engine.**

5054-12

Assemblies include all parts shown in frames.

12/22/2011

REF. NO.	PART NO.	DESCRIPTION	REF. NO.	PART NO.	DESCRIPTION	REF. NO.	PART NO.	DESCRIPTION
615	690340	Retainer-Governor Shaft	718	690959	Pin-Locating	832	590486	Guard-Muffler (Used After Code Date 11063000).
616	698801	Crank-Governor	741	797521	Gear-Timing (Metal)			----- Note -----
617	★◆270344	Seal-O Ring (Intake Manifold)			(Used After Code Date 08021700).			499034 Guard-Muffler (Used Before Code Date 11070100).
621	692310	Switch-Stop			----- Note -----			
627	692872	Bracket-Stopswitch			795755 Gear-Timing (Plastic)	832B	497683	Guard-Muffler (Super Lo Tone Catalyst)
		----- Note -----			(Used After Code Date 08021700).			
		792565 Bracket-Stop Switch			794388 Gear-Timing (Use Without Woodruff Key)	836	690664	Screw (Muffler Guard)
		Used on Type No(s). 0156, 0238, 0509.			(Used After Code Date 07093000 and Before Code Date 08021800).	836B	691147	Screw (Muffler Guard)
633	◆◆691321	Seal-Choke/Throttle Shaft			790345 Gear-Timing (Use Without Woodruff Key)	842	★691031	Seal-O Ring (Dipstick Tube)
633A	◆◆693867	Seal-Choke/Throttle Shaft			(Used Before Code Date 07100100).	843	691884	Sleeve-Lever (Control Bracket)
635	66538S	Boot-Spark Plug			691830 Gear-Timing (Uses Woodruff Key)	843A	691895	Sleeve-Lever (Choke)
635A	793351	Boot-Spark Plug				847	692047	Dipstick/Tube Assembly
651	691660	Screw (Starter Gear Cover)				851	493880S	Terminal-Spark Plug
668	★493823	Spacer	742	93941	Retainer-E Ring	851A	692424	Terminal-Spark Plug
670	692294	Spacer-Fuel Tank	745	691648	Screw (Brake)	853	695268	Adapter-Wire
676	396548	Deflector-Muffler (Louvered)				868	590410	Seal-Valve (Used After Code Date 11063000).
676C	493871	Deflector-Muffler (Side Out) (Extended)	783	691918	Gear-Pinion			----- Note -----
			783A	691269	Gear-Pinion			697338 Seal-Valve (Used Before Code Date 11070100).
677	690661	Screw (Muffler Deflector)	784	795095	Cover-Starter Gear			
684	690345	Screw (Breather Passage Cover)	785	692352	Gasket-Starter Cover			
689	691855	Spring-Friction	789B	696547	Harness-Wiring			
692	690572	Spring-Detent	801	690782	Cap-Drive			
697	691127	Screw (Drive Cap)	802	695267	Cap-End	869	691155	Seat-Valve (Intake)
			803	695266	Housing-Starter	870	690380	Seat-Valve (Exhaust)

★ Included in Engine Gasket Set-Ref. No.358.

● Included in Carburetor Overhaul Kit-Ref. No. 121.

◆ Included in Carburetor Gasket Set-Ref. No. 977.

⊘ Included in Valve Gasket Set-Ref. No 1095.

**Illustrations cover a range of engines. Parts shown without corresponding text may not be used on your specific engine.**

# 123K00

REF. NO.	PART NO.	DESCRIPTION	REF. NO.	PART NO.	DESCRIPTION	REF. NO.	PART NO.	DESCRIPTION
871	590409	Bushing-Valve Guide (Exhaust) (Used After Code Date 11063000). ----- Note ----- 590409 Bushing-Valve Guide (Intake) (Used After Code Date 11063000). 262001 Bushing-Valve Guide (Exhaust) (Used Before Code Date 11070100). 63709 Bushing-Valve Guide (Intake) (Used Before Code Date 11070100).	923	691994	Brake	925	795403	Cover-Linkage (Used After Code Date 07072200). ----- Note ----- 690595 Cover-Linkage (Used Before Code Date 07072300).
			923A	695891	Brake ----- Note ----- 695891 Brake (Used Before Code Date 08050100). Used on Type No(s). 0101, 0116, 0123, 0124, 0125, 0139, 0141, 0142, 0154, 0193, 0197, 0208, 0219, 0230, 0231, 0232, 0239, 0258, 0261, 0283, 0289, 0301, 0312, 0315, 0336, 0347, 0424, 0425, 0438, 0440, 0444, 0447, 0450, 0454, 0456, 0479, 0481, 0484, 0490, 0498, 0501, 0507, 0508, 0511, 0513, 0541, 0547, 0563, 0564, 0576, 0582, 0592, 0609, 0613, 0615, 0618, 0625, 0630, 0631, 0639, 0657, 0664, 0665, 0666.	930	691919	Guard-Rewind (Round)
883	691881	Gasket-Exhaust				930A	691345	Guard-Rewind (Tear Drop)
910	691094	Stud (Alternator)				935	499421	Switch-Interlock (Used Before Code Date 08050100).
921A	695886	Cover-Blower Housing				937	691325	Spline-Starter
921B	692931	Cover-Blower Housing				937A	799420	Spline-Starter
921C	695889	Cover-Blower Housing				957A	692046	Cap-Fuel Tank (Plastic)
921E	696262	Cover-Blower Housing				957B	699985	Cap-Fuel Tank (Plastic)
921F	697343	Cover-Blower Housing				966A	496116	Base-Air Cleaner Primer
921G	790701	Cover-Blower Housing				966B	792040	Base-Air Cleaner Primer
921J	790036	Cover-Blower Housing	923B	796136	Brake (Used After Code Date 08043000). Used on Type No(s). 0101, 0116, 0123, 0124, 0125, 0139, 0141, 0142, 0154, 0193, 0197, 0208, 0219, 0230, 0231, 0232, 0239, 0258, 0261, 0283, 0289, 0301, 0312, 0315, 0336, 0347, 0424, 0425, 0438, 0440, 0444, 0447, 0450, 0454, 0456, 0479, 0481, 0484, 0490, 0498, 0501, 0507, 0508, 0511, 0513, 0541, 0547, 0563, 0564, 0576, 0582, 0592, 0609, 0613, 0615, 0618, 0625, 0630, 0631, 0639, 0657, 0664, 0665, 0666.	967A	493537S	Filter-Pre Cleaner
921K	699984	Cover-Blower Housing				968B	692298	Cover-Air Cleaner
921L	791026	Cover-Blower Housing				969	690700	Screw (Blower Housing Cover)
921N	792675	Cover-Blower Housing				969A	691138	Screw (Blower Housing Cover)
922	691831	Spring-Brake						
922A	692135	Spring-Brake						

★ Included in Engine Gasket Set-Ref. No.358.

● Included in Carburetor Overhaul Kit-Ref. No. 121.

◆ Included in Carburetor Gasket Set-Ref. No. 977.

⊘ Included in Valve Gasket Set-Ref. No 1095.

**Illustrations cover a range of engines. Parts shown without corresponding text may not be used on your specific engine.**

REF. NO.	PART NO.	DESCRIPTION	REF. NO.	PART NO.	DESCRIPTION	REF. NO.	PART NO.	DESCRIPTION
970	691669	Screw (Air Cleaner Primer Bracket)	1036		Label-Emissions (Available From A Briggs & Statton Authorized Dealer)	1119	692979	Screw (Alternator)
972	699392	Tank-Fuel (Plastic)	1058	380567	Operator's Manual (Used After Code Date 11063000).	1160	690345	Screw (Interlock Switch)
972B	699374	Tank-Fuel (Plastic)				1210	498144	Pulley/Spring Assembly (Pulley)
		----- Note ----- 699387 Tank-Fuel (Plastic) Used on Type No(s). 0121, 0194, 0244.			----- Note ----- 277039 Operator's Manual (Used Before Code Date 11070100). 277101 Operator's Manual (Touch N Mow)	1211	498144	Pulley/Spring Assembly (Spring)
975	493640	Bowl-Float				1236	695959	Starter-Machanical (Touch N Mow) (Do Not Service Individual Parts, Only As A Whole)
976	694395	Primer-Carburetor				1319	794467	Label-Warning
977	498261	Gasket Set-Carburetor	1059	692311	Kit-Screw/Washer ----- Note ----- 696293 Kit-Screw/ Washer (Touch N Mow)	1330	270962	Manual-Repair
990A	695951	Key Set				1386	790848	Vane-Air (Autochoke System)
1005	691346	Fan-Flywheel				1387	790849	Spring-Air Vane
1009	696255	Screw (Starter Motor)				1388	790850	Screw (Air Vane)
1019	494256	Kit-Label ----- Note ----- 790231 Kit-Label (Touch N Mow)	1095	590507	Gasket Set-Valve (Used After Code Date 11063000). ----- Note ----- 498528 Gasket Set-Valve (Used Before Code Date 11070100).			

★ Included in Engine Gasket Set-Ref. No.358.

● Included in Carburetor Overhaul Kit-Ref. No. 121.

◆ Included in Carburetor Gasket Set-Ref. No. 977.

⊘ Included in Valve Gasket Set-Ref. No 1095.

**Illustrations cover a range of engines. Parts shown without corresponding text may not be used on your specific engine.**

Not for  
Reproduction

