



Illustrated Parts List

Model Series

121600

TYPE NUMBERS
0015 through 0668.

TABLE OF CONTENTS

Air Cleaner	6
Blower Housing/Shrouds	7
Camshaft	2
Carburetor	4
Controls	5
Crankshaft	2
Cylinder	2
Cylinder Head	3
Electric Starter	7
Engine Sump	2
Exhaust System	6
Flywheel	7
Flywheel Brake	5
Fuel Supply	4
Governor Spring	5
Ignition	5
Kits/Gaskets Sets	8
Lubrication	2
Piston Group	2
Rewind Starter	7

Not for production



PRINTED IN U.S.A.

COPYRIGHT by BRIGGS & STRATTON CORPORATION
All rights reserved. No part of this material may be reproduced or transmitted, in any form or by any means, electronic or mechanical, including photocopying, recording or by any information storage and retrieval system, without permission in writing from Briggs & Stratton Corporation.

1058 OPERATOR'S MANUAL



1330 REPAIR MANUAL

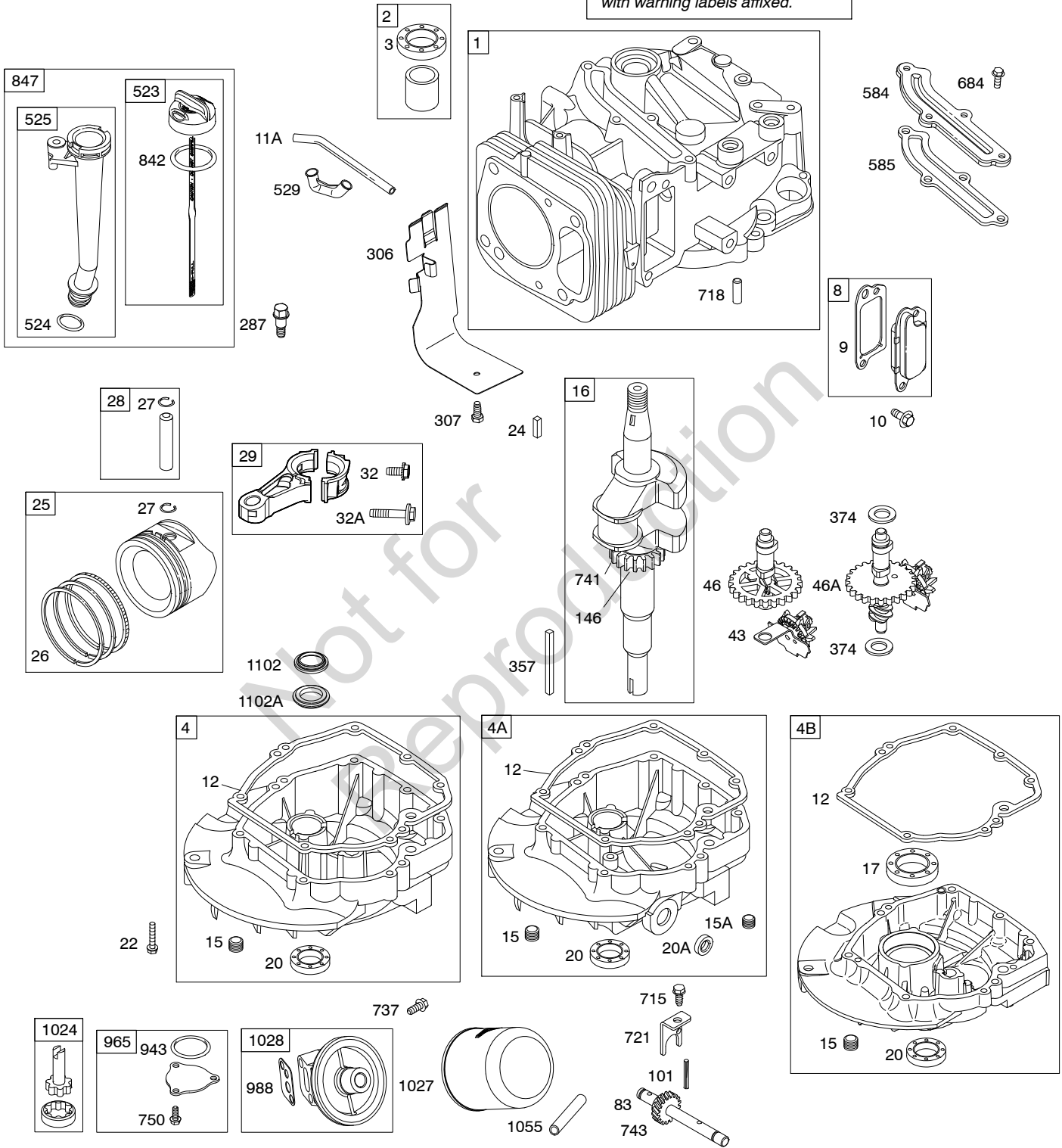


1319 WARNING LABEL

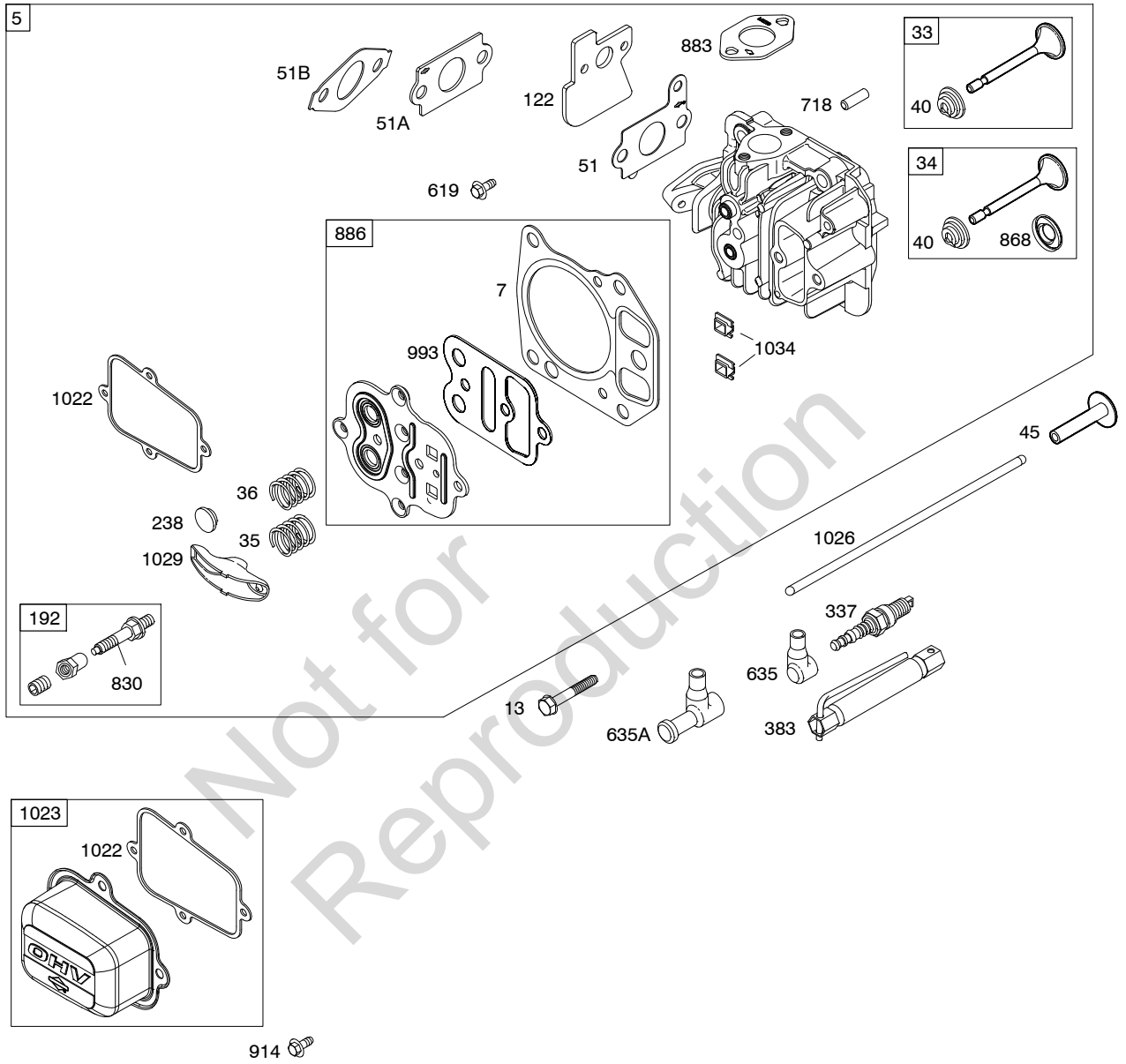


REQUIRED when replacing parts with warning labels affixed.

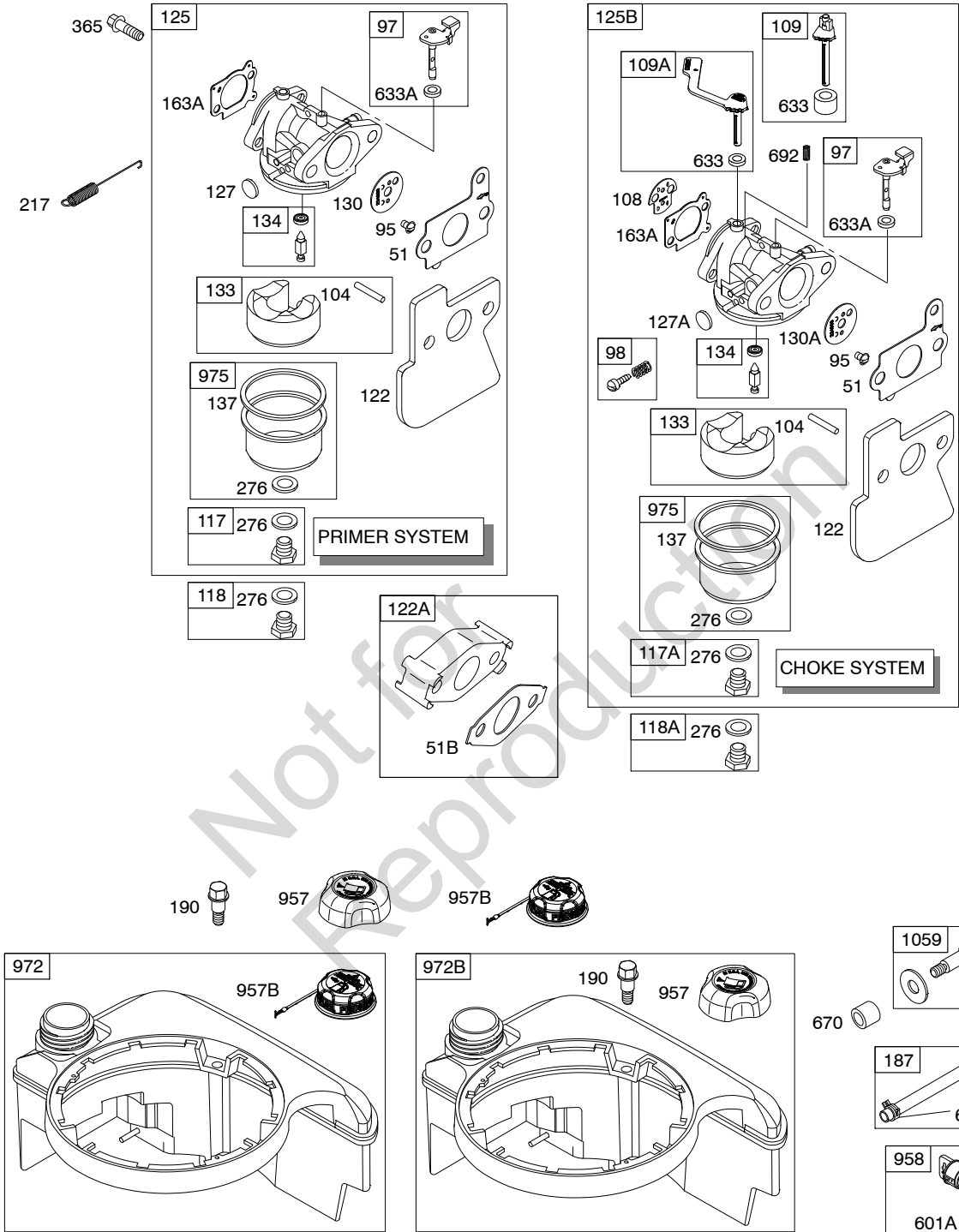
1019 LABEL KIT



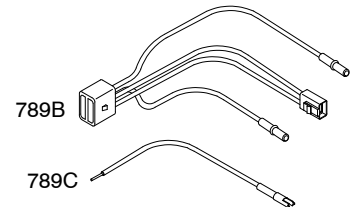
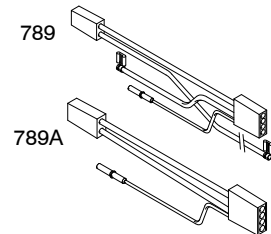
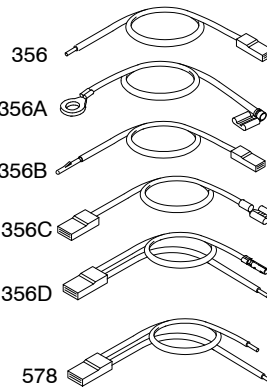
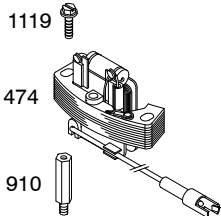
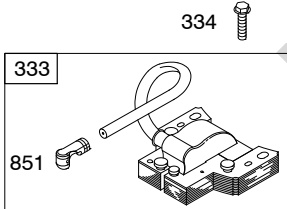
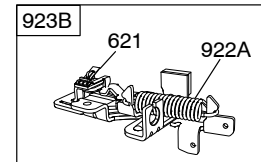
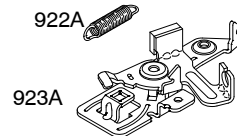
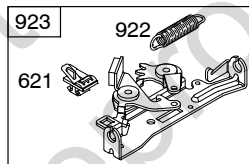
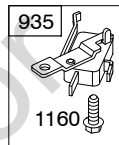
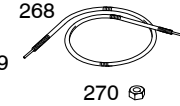
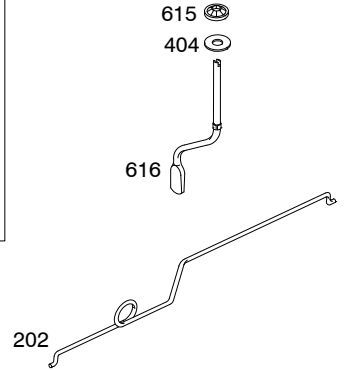
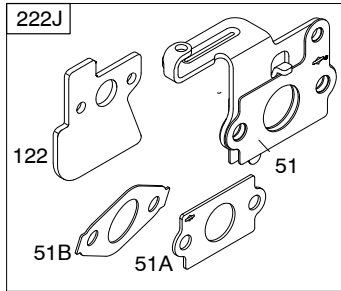
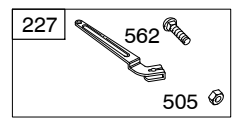
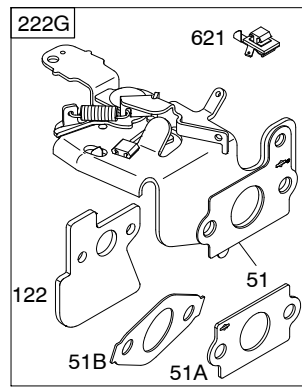
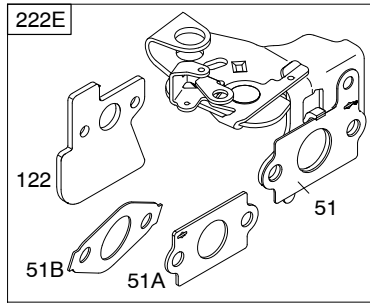
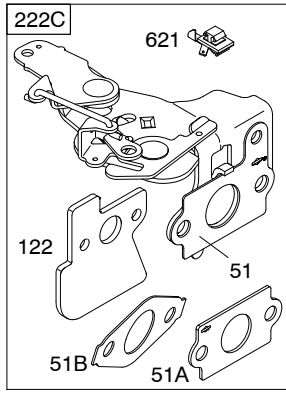
Illustrations cover a range of engines. Parts shown without corresponding text may not be used on your specific engine.
 2143-2 Assemblies include all parts shown in frames. 11/11/2008



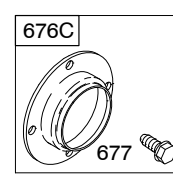
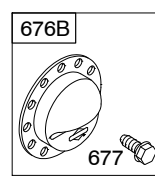
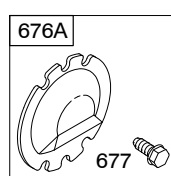
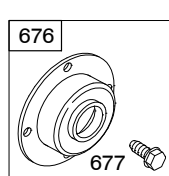
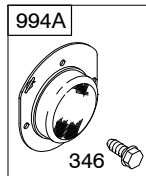
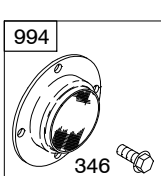
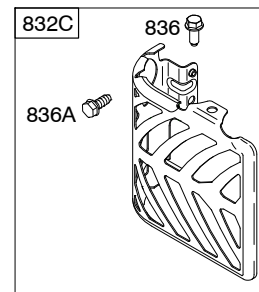
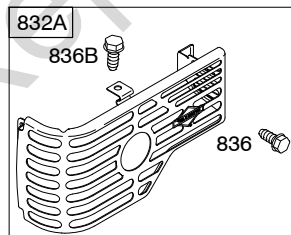
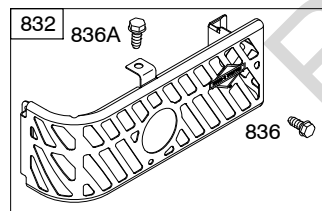
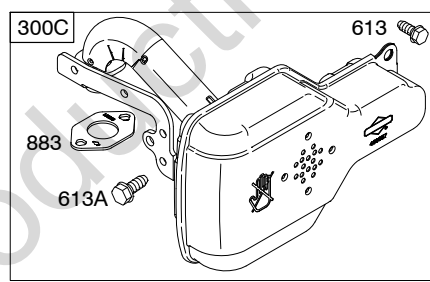
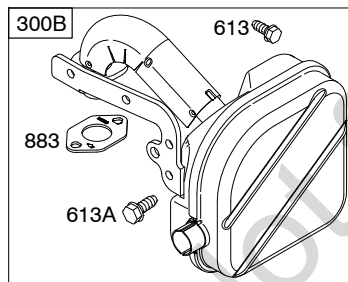
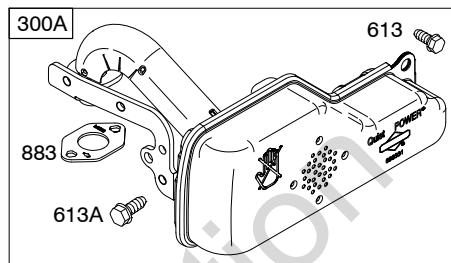
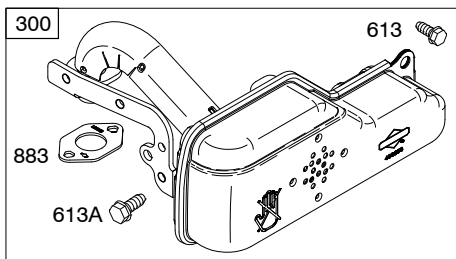
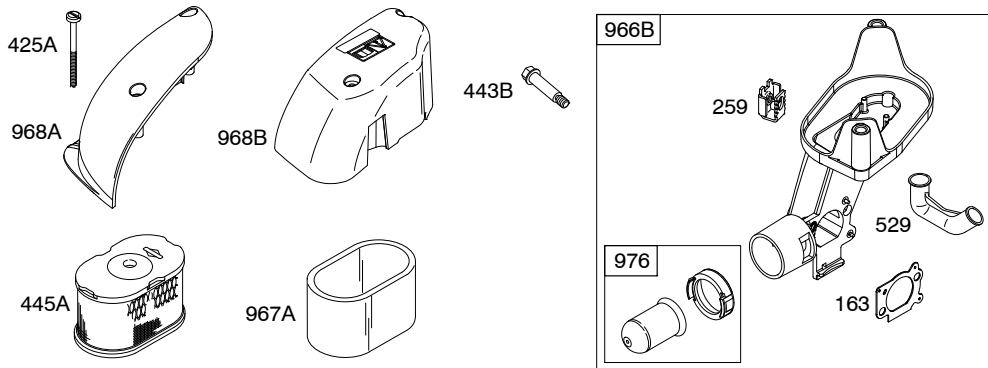
Illustrations cover a range of engines. Parts shown without corresponding text may not be used on your specific engine.
 2143-3 Assemblies include all parts shown in frames. 11/11/2008



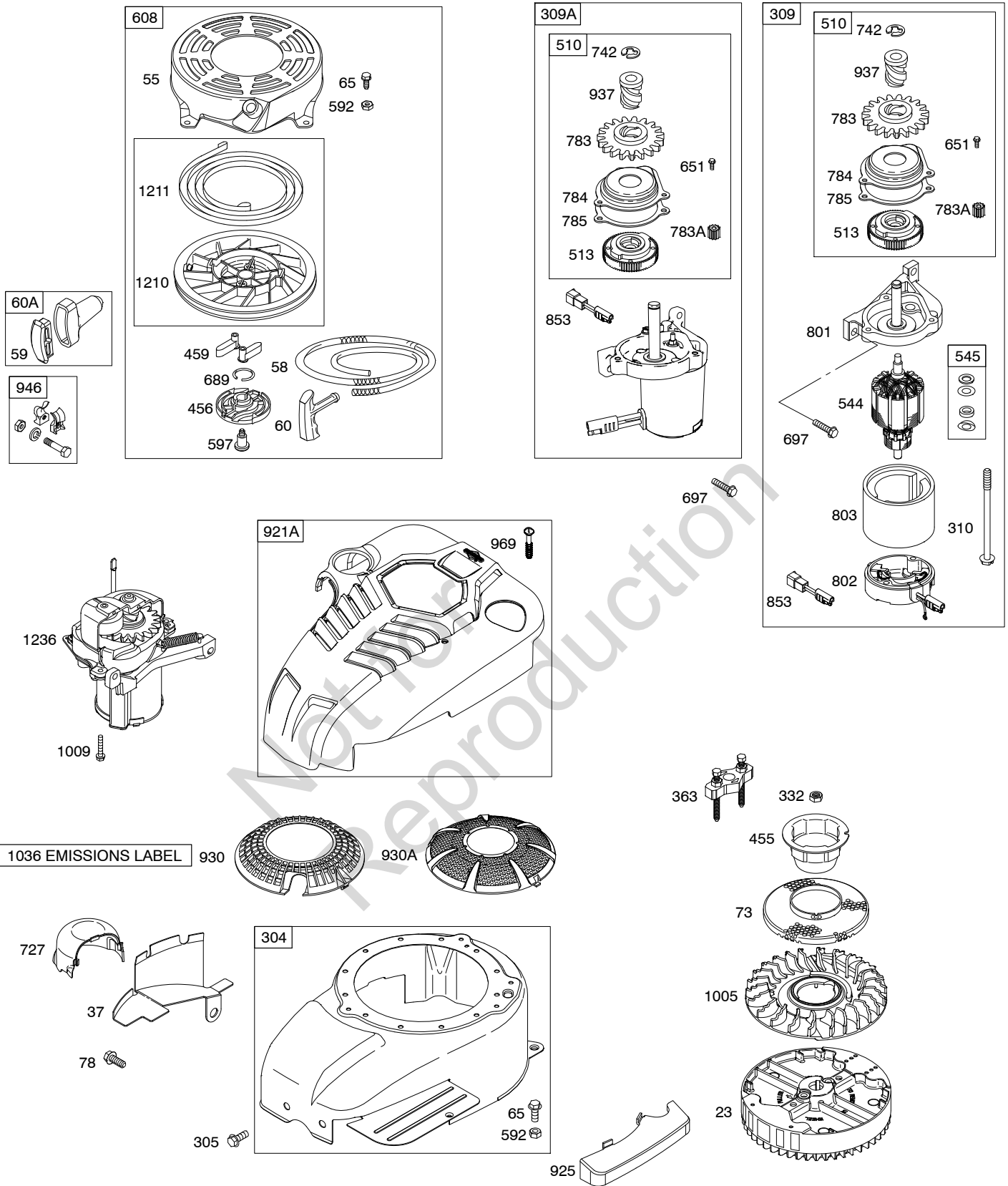
Illustrations cover a range of engines. Parts shown without corresponding text may not be used on your specific engine.
 2143-4 Assemblies include all parts shown in frames. 11/11/2008



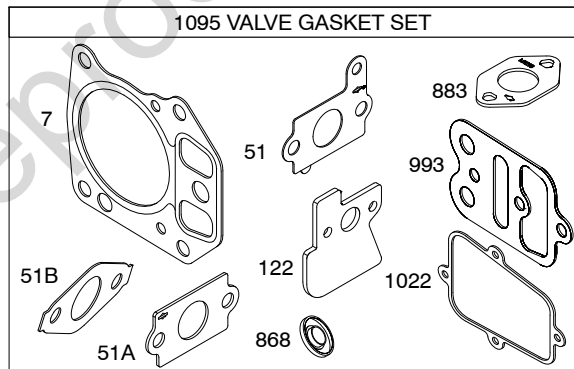
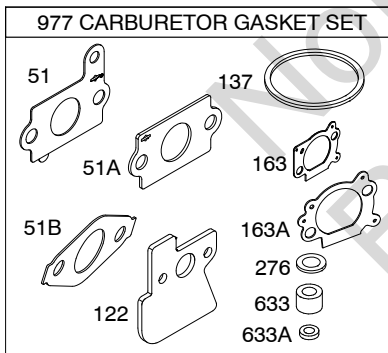
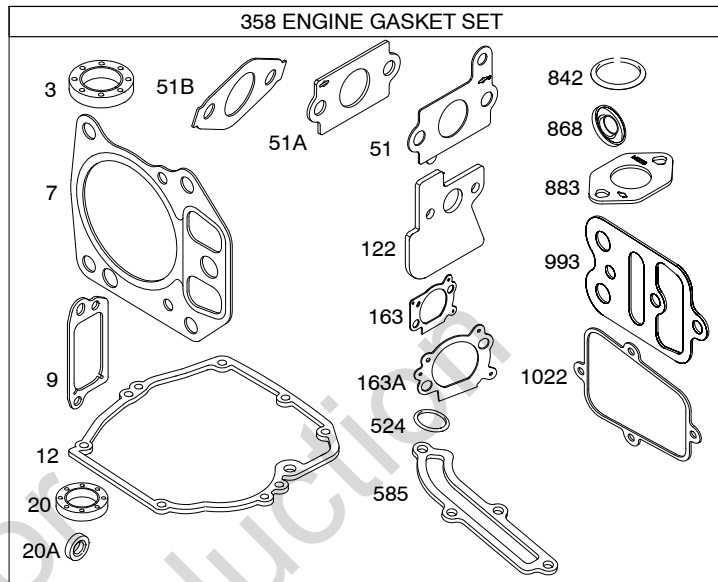
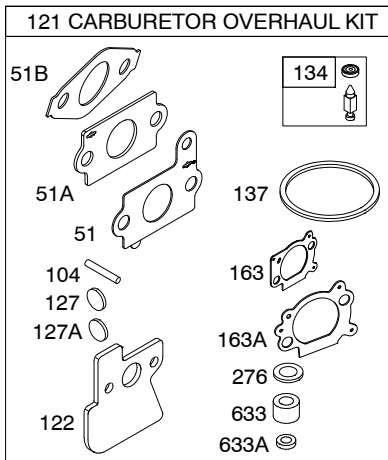
Illustrations cover a range of engines. Parts shown without corresponding text may not be used on your specific engine.
 2143-5 Assemblies include all parts shown in frames. 11/11/2008



Illustrations cover a range of engines. Parts shown without corresponding text may not be used on your specific engine.
 2143-6 Assemblies include all parts shown in frames. 11/11/2008



Illustrations cover a range of engines. Parts shown without corresponding text may not be used on your specific engine.
 2143-7 Assemblies include all parts shown in frames. 11/11/2008



REF. NO.	PART NO.	DESCRIPTION	REF. NO.	PART NO.	DESCRIPTION	REF. NO.	PART NO.	DESCRIPTION
1	790363	Cylinder Assembly (Used After Code Date 04040400). ----- Note ----- 499678 Cylinder-Assembly (Used Before Code Date 04040500). 790363 Cylinder Assembly (Used After Code Date 04040400). Used on Type No(s). 0324, 0333, 0343, 0365, 0372, 0373, 0382, 0518. 697639 Cylinder Assembly (Used Before Code Date 04040500). Used on Type No(s). 0324, 0333, 0343, 0365, 0372, 0373.	5	795501	Head-Cylinder (Used After Code Date 05110100). ----- Note ----- 695276 Head-Cylinder (Used Before Code Date 05110200).	16	691457	Crankshaft ----- Note ----- 691456 Crankshaft Used on Type No(s). 0025,0058,0112,0126, 0128,0130,0133,0137, 0158,0163,0167,0169, 0171,0199,0204,0228, 0255,0266,0269,0270, 0271,0273,0307,0320, 0335,0336,0349,0358, 0363,0369,0370,0373, 0376,0377,0397,0467, 0518,0525,0527,0528, 0529,0555,0662,0665. 693291 Crankshaft Used on Type No(s). 0021,0127,0129,0143, 0166,0172,0185,0187, 0195,0197,0206,0222, 0234,0259,0283,0305, 0315,0323,0325,0329, 0331,0355,0384,0392, 0395,0490,0521,0621, 0668. 691458 Crankshaft Used on Type No(s). 0150,0153,0256,0319. 692716 Crankshaft Used on Type No(s). 0174,0201,0202,0215, 0220,0264,0272,0311, 0314,0360. 692803 Crankshaft Used on Type No(s). 0045,0188,0235,0545. 692823 Crankshaft Used on Type No(s). 0016,0022,0193,0194, 0227,0240,0241,0301, 0522,0622. 692824 Crankshaft Used on Type No(s). 0142. 694491 Crankshaft Used on Type No(s). 0026,0374,0375,0526. 695860 Crankshaft Used on Type No(s). 0281, 0393. 696607 Crankshaft Used on Type No(s). 0291,0293. 790156 Crankshaft Used on Type No(s). 0379,0383.
2	399269	Kit-Bushing/Seal (Magneto Side)	7	★△697230	Gasket-Cylinder Head			
3	★299819S	Seal-Oil (Magneto Side)	8	495786	Breather Assembly			
4	493279	Sump-Engine ----- Note ----- 498983 Sump-Engine Used on Type No(s). 0030, 0045, 0142, 0188, 0189, 0235, 0313, 0386, 0545. 696294 Sump-Engine Used on Type No(s). 0288, 0295, 0323, 0325, 0329, 0345, 0347. 696340 Sump-Engine Used on Type No(s). 0359.	9	★272481	Gasket-Breather			
4A	493365	Sump-Engine (Auxiliary PTO)	10	691125	Screw (Breather Assembly)			
4B	692509	Sump-Engine Used on Type No(s). 0270.	11A	499675	Tube-Breather			
			12	★692232	Gasket-Crankcase			
			13	691137	Screw (Cylinder Head)			
			15	691680	Plug-Oil Drain (Square Socket)			
			15A	691093	Plug-Oil Drain (Hex Socket)			

★ Included in Engine Gasket Set-Ref. No.358.

● Included in Carburetor Overhaul Kit-Ref. No. 121.

◆ Included in Carburetor Gasket Set-Ref. No. 977.

△ Included in Valve Gasket Set-Ref. No 1095.

Illustrations cover a range of engines. Parts shown without corresponding text may not be used on your specific engine.

121600

REF. NO.	PART NO.	DESCRIPTION	REF. NO.	PART NO.	DESCRIPTION	REF. NO.	PART NO.	DESCRIPTION
17	692517	Bearing–Ball	24	222698S	Key–Flywheel	27	691866	Lock–Piston Pin
20	★399781	Seal–Oil (PTO Side)	25	795429	Piston Assembly (Standard) (Used After Code Date 07090300).	28	499423	Pin–Piston
20A	★691952	Seal–Oil (PTO Side) (Auxiliary PTO)				29	499424	Rod–Connecting
22	691092	Screw (Crankcase Cover/Sump)				32	691664	Screw (Connecting Rod)
23	697610	Flywheel ----- Note ----- 692693 Flywheel Used on Type No(s). 0016,0030,0061,0117, 0119,0120,0129,0135, 0142,0149,0152,0160, 0172,0174,0183,0186, 0187,0189,0193,0194, 0197,0198,0200,0201, 0202,0206,0207,0209, 0211,0217,0218,0220, 0222,0242,0253,0254, 0260,0261,0262,0266, 0275,0281,0289,0293, 0296,0298,0302,0303, 0313,0314,0316,0317, 0318,0327,0330,0334, 0335,0348,0350,0354, 0357,0369,0379,0383, 0384,0386,0387,0388, 0389,0391,0395,0490, 0505,0561,0562. 692987 Flywheel Used on Type No(s). 0045,0188,0235,0545. 697271 Flywheel Used on Type No(s). 0288,0295,0323,0325, 0329,0345,0347. 697637 Flywheel Used on Type No(s). 0147,0324,0333,0343, 0351,0365,0372,0373, 0382,0438. 699488 Flywheel Used on Type No(s). 0393.				32A	695759	Screw (Connecting Rod) (Used After Code Date 00042200).
						33	499642	Valve–Exhaust
						34	499641	Valve–Intake
						35	691304	Spring–Valve (Intake)
						36	691304	Spring–Valve (Exhaust)
						37	694086	Guard–Flywheel
						40	692194	Retainer–Valve
						43	691997	Slinger–Governor/Oil ----- Note ----- 691486 Slinger– Governor/Oil Used on Type No(s). 0030, 0045, 0142, 0188, 0189, 0235, 0545.
			26	795431	Ring Set (Standard) (Used After Code Date 07090300). ----- Note ----- 791969 Ring Set (Standard) (Used After Code Date 05030700 and Before Code Date 07090400). 499631 Ring Set (Standard) (Used Before Code Date 05030800). 795432 Ring Set (.020" Oversize) (Used After Code Date 07090300). 791324 Ring Set (.020" Oversize) (Used After Code Date 05030700 and Before Code Date 07090400). 499427 Ring Set (.020" Oversize) (Used Before Code Date 05030800).	45	690977	Tappet–Valve

★ Included in Engine Gasket Set–Ref. No.358.

● Included in Carburetor Overhaul Kit–Ref. No. 121.

◆ Included in Carburetor Gasket Set–Ref. No. 977.

△ Included in Valve Gasket Set–Ref. No 1095.

Illustrations cover a range of engines. Parts shown without corresponding text may not be used on your specific engine.

REF. NO.	PART NO.	DESCRIPTION	REF. NO.	PART NO.	DESCRIPTION	REF. NO.	PART NO.	DESCRIPTION
46	694039	Camshaft (Used After Code Date 99030700). ----- Note ----- 694035 Camshaft (Used Before Code Date 99030800). ----- Note ----- 694040 Camshaft (Used After Code Date 99030700). Used on Type No(s). 0270.	83	691778	Shaft-Auxiliary Drive ----- Note ----- 690522 Shaft-Auxiliary Drive Used on Type No(s). 0147, 0150, 0153, 0158, 0343, 0371. 690527 Shaft-Auxiliary Drive Used on Type No(s). 0122, 0241.	117	498981	Jet-Main (Standard) (Used After Code Date 03110600). ----- Note ----- 498978 Jet-Main (Standard) (Used After Code Date 99030700 and Before Code Date 03110700). 692677 Jet-Main (Standard) (Used Before Code Date 99030800).
46A	694038	Camshaft (Clockwise) (Used After Code Date 99030700). ----- Note ----- 694034 Camshaft (Clockwise) (Used Before Code Date 99030800). 694037 Camshaft (Counterclockwise) (Used After Code Date 99030700). 694033 Camshaft (Counterclockwise) (Used Before Code Date 99030800).	95	691636	Screw (Throttle Valve)	117A	694250	Jet-Main (Standard) (Used After Code Date 02050500). ----- Note ----- 498978 Jet-Main (Standard) (Used Before Code Date 02050600).
51♦♦♦692668		Gasket-Intake	97	499682	Shaft-Throttle (Metal) ----- Note ----- 790121 Shaft-Throttle (Plastic)	118	497466	Jet-Main (High Altitude) (Used After Code Date 03110600). ----- Note ----- 498975 Jet-Main (High Altitude) (Used After Code Date 99030700 and Before Code Date 03110700). 497315 Jet-Main (High Altitude) (Used Before Code Date 99030800).
51A♦♦♦697735		Gasket-Intake	98	398185	Kit-Idle Speed	118A	497466	Jet-Main (High Altitude) (Used After Code Date 02050500). ----- Note ----- 498975 Jet-Main (High Altitude) (Used Before Code Date 02050600).
51B♦♦♦692555		Gasket-Intake	101	691623	Pin-Shaft			
55	691421	Housing-Rewind Starter	104	691242	Pin-Float Hinge			
58	697316	Rope-Starter (Cut To Required Length)	108	691182	Valve-Choke			
59	396892	Insert-Grip	109	499779	Shaft-Choke			
60	281434S	Grip-Starter Rope	109A	499681	Shaft-Choke			
60A	393152	Grip-Starter Rope						
65	690837	Screw (Rewind Starter)						
73	691221	Screen-Rotating						
78	691108	Screw (Flywheel Guard)						

★ Included in Engine Gasket Set-Ref. No.358.

● Included in Carburetor Overhaul Kit-Ref. No. 121.

♦ Included in Carburetor Gasket Set-Ref. No. 977.

△ Included in Valve Gasket Set-Ref. No 1095.

Illustrations cover a range of engines. Parts shown without corresponding text may not be used on your specific engine.

121600

REF. NO.	PART NO.	DESCRIPTION	REF. NO.	PART NO.	DESCRIPTION	REF. NO.	PART NO.	DESCRIPTION
121	792383	Kit-Carburetor Overhaul	125	790120	Carburetor (Primer System)	127	●694468	Plug-Welch
122	◆◆692799	Spacer-Carburetor	125B	698056	Carburetor (Choke System)	127A	●691739	Plug-Welch
122A	792382	Spacer-Carburetor			(Used After Code Date 02051200). Used on Type No(s). 0149,0152,0160,0161, 0162,0197,0199,0200, 0201,0202,0211,0220, 0243,0247,0259,0265, 0293,0296,0311,0314, 0327,0348,0369,0372, 0373,0379,0383,0389, 0391,0393,0395,0518.	130	691203	Valve-Throttle ----- Note ----- 696564 Valve-Throttle (Used With Plastic Throttle Shaft)
					----- Note ----- 694205 Carburetor (Choke System) (Used Before Code Date 02051300). Used on Type No(s). 0149,0197,0199,0200, 0201,0202,0211,0220, 0247,0259,0265,0293, 0296,0311,0314,0327.	130A	691181	Valve-Throttle ----- Note ----- 691203 Valve-Throttle Used on Type No(s). 0016, 0030, 0045, 0142, 0183, 0188, 0189, 0194, 0198, 0206, 0222, 0235, 0275, 0301.
					698055 Carburetor (Choke System) (Used After Code Date 02050500). Used on Type No(s). 0016,0030,0045,0142, 0183,0188,0189,0194, 0198,0206,0222,0235, 0275,0301,0313,0324, 0350,0351,0386,0438.	133	398187	Float-Carburetor
					694203 Carburetor (Choke System) (Used Before Code Date 02050600). Used on Type No(s). 0016,0030,0045,0142, 0183,0188,0189,0194, 0198,0206,0222,0227, 0235,0275,0301,0313, 0324.	134	●398188	Kit-Needle/Seat
					697914 Carburetor (Choke System) Used on Type No(s). 0147, 0152, 0207, 0262, 0298, 0303, 0317, 0318, 0343.	137	◆◆693981	Gasket-Float Bowl
						146	690979	Key-Timing
						163	◆◆691894	Gasket-Air Cleaner
						163A	◆◆692667	Gasket-Air Cleaner
						187	791766	Line-Fuel (Cut to Required Length)
						188	693168	Screw (Control Bracket)
						190	690940	Screw (Fuel Tank)
						192	694543	Adjuster-Rocker Arm
						202	691303	Link-Mechanical Governor

★ Included in Engine Gasket Set-Ref. No.358.

● Included in Carburetor Overhaul Kit-Ref. No. 121.

◆ Included in Carburetor Gasket Set-Ref. No. 977.

△ Included in Valve Gasket Set-Ref. No 1095.

Illustrations cover a range of engines. Parts shown without corresponding text may not be used on your specific engine.

REF. NO.	PART NO.	DESCRIPTION	REF. NO.	PART NO.	DESCRIPTION	REF. NO.	PART NO.	DESCRIPTION
209A	690319	Spring-Governor ----- Note ----- 691290 Spring-Governor Used on Type No(s). 0016, 0030, 0142, 0183, 0189, 0193, 0194, 0198, 0206, 0215, 0219, 0222, 0275, 0289, 0295, 0301, 0306, 0324, 0359, 0360, 0386. 691291 Spring-Governor Used on Type No(s). 0019, 0133, 0137, 0154, 0155, 0158, 0167, 0168, 0169, 0173, 0174, 0204, 0205, 0217, 0218, 0221, 0228, 0253, 0254, 0255, 0269, 0270, 0271, 0273, 0291, 0292, 0297, 0320, 0336, 0350, 0351, 0370, 0438, 0527, 0528, 0529. 691851 Spring-Governor Used on Type No(s). 0015, 0018, 0021, 0022, 0023, 0025, 0026, 0050, 0051, 0058, 0060, 0061, 0100, 0105, 0112, 0115, 0117, 0118, 0121, 0122, 0127, 0128, 0137, 0172, 0175, 0190, 0191, 0195, 0240, 0241, 0265, 0279, 0286, 0288, 0331, 0332, 0338, 0339, 0340, 0349, 0358, 0363, 0371, 0376, 0392, 0393, 0505, 0515, 0521, 0522, 0525, 0526, 0530, 0550, 0551, 0560, 0561, 0562, 0615, 0621, 0622, 0625, 0662, 0665.			692906 Spring-Governor Used on Type No(s). 0149, 0160, 0161, 0162, 0197, 0199, 0200, 0211, 0247, 0259, 0261, 0262, 0265, 0293, 0296, 0303, 0314, 0318, 0327, 0379, 0383, 0393, 0395. 692433 Spring-Governor Used on Type No(s). 0201, 0202, 0220, 0311, 0365, 0369, 0373, 0389, 0518. 693031 Spring-Governor Used on Type No(s). 0147, 0152, 0207, 0298, 0317, 0318, 0343, 0348, 0372, 0391. 693032 Spring-Governor Used on Type No(s). 0045, 0188, 0545. 691292 Spring-Governor Used on Type No(s). 0302, 0315, 0316, 0320, 0322, 0328, 0329, 0330, 0375, 0377, 0384, 0467, 0668. 791156 Spring-Governor Used on Type No(s). 0235, 0397.			211 692434 Spring-Governed Idle 217 690354 Spring-Choke Return

★ Included in Engine Gasket Set-Ref. No.358.

● Included in Carburetor Overhaul Kit-Ref. No. 121.

◆ Included in Carburetor Gasket Set-Ref. No. 977.

△ Included in Valve Gasket Set-Ref. No 1095.

Illustrations cover a range of engines. Parts shown without corresponding text may not be used on your specific engine.

121600

REF. NO.	PART NO.	DESCRIPTION	REF. NO.	PART NO.	DESCRIPTION	REF. NO.	PART NO.	DESCRIPTION			
222C	792397	Bracket-Control (Used After Code Date 05110100). ----- Note ----- 692618 Bracket-Control (Used Before Code Date 05110200). 792398 Bracket-Control (Used After Code Date 05110100). Used on Type No(s). 0018,0023,0100,0101, 0105,0115,0118,0121, 0122,0127,0128,0136, 0155,0163,0165,0166, 0168,0171,0175,0189, 0190,0191,0195,0221, 0227,0240,0241,0249, 0251,0256,0263,0270, 0271,0283,0286,0291, 0297,0301,0305,0307, 0315,0319,0320,0321, 0328,0331,0332,0336, 0344,0346,0349,0350, 0351,0355,0358,0374, 0375,0385,0392,0467, 0555,0668. 692617 Bracket-Control (Used Before Code Date 05110200). Used on Type No(s). 0018,0023,0100,0101, 0105,0115,0118,0121, 0122,0127,0128,0136, 0155,0163,0165,0166, 0168,0171,0175,0189, 0190,0191,0195,0221, 0227,0240,0241,0249, 0251,0256,0263,0270, 0271,0283,0286,0291, 0297,0301,0305,0307, 0315,0319,0320,0321, 0328,0331,0332,0336, 0344,0346,0349,0350, 0351,0355,0358,0374, 0375,0385,0392,0467, 0555.	222G	792399	Bracket-Control (Used After Code Date 05110100). ----- Note ----- 692615 Bracket-Control (Used Before Code Date 05110200). 792401 Bracket-Control (Used After Code Date 05110100). Used on Type No(s). 0147, 0152, 0207, 0262, 0298, 0303, 0317, 0318, 0343. 692616 Bracket-Control (Used Before Code Date 05110200). Used on Type No(s). 0147, 0152, 0207, 0262, 0298, 0303, 0317, 0318, 0343. 792400 Bracket-Control (Used After Code Date 05110100). Used on Type No(s). 0161, 0162, 0199, 0201, 0202, 0247, 0259, 0264, 0265, 0311, 0314, 0348, 0372, 0518. 692722 Bracket-Control (Used Before Code Date 05110200). Used on Type No(s). 0161, 0162, 0199, 0201, 0202, 0247, 0259, 0264, 0265, 0311, 0314, 0348, 0372.	222J	792404	Bracket-Control (Used After Code Date 05110100). ----- Note ----- 697614 Bracket-Control (Used Before Code Date 05110200).	227	691467	Lever-Governor Control
						236	691826	Link-Lockout			
						238	691300	Cap-Valve			
						240	298090	Filter-Fuel			
						259	691189	Bracket-Casing Clamp			
						265	690798	Clamp-Casing			
						265A	691024	Clamp-Casing			
						267	691044	Screw (Casing Clamp)			
						268	691025	Casing-Control Wire (Cut To Required Length)			
						269	691026	Wire-Control (Cut To Required Length)			
						270	691027	Nut (Control Wire Casing)			
						271	691028	Lever-Control			
						276	271716	Washer-Sealing			
						287	690940	Screw (Dipstick Tube)			
						300	692275	Muffler (Super Quiet Lo Tone)			
						300A	692276	Muffler (Quiet Lo Tone)			
						300B	699769	Muffler (Square Lo Tone)			
						300C	694248	Muffler (Super Quiet Power Lo Tone)			
222E	692723	Bracket-Control									

★ Included in Engine Gasket Set-Ref. No.358.

● Included in Carburetor Overhaul Kit-Ref. No. 121.

◆ Included in Carburetor Gasket Set-Ref. No. 977.

△ Included in Valve Gasket Set-Ref. No 1095.

Illustrations cover a range of engines. Parts shown without corresponding text may not be used on your specific engine.

REF. NO.	PART NO.	DESCRIPTION	REF. NO.	PART NO.	DESCRIPTION	REF. NO.	PART NO.	DESCRIPTION
304	499677	Housing-Blower ----- Note ----- 499676 Housing-Blower Used on Type No(s). 0016,0030,0117,0119, 0120,0129,0133,0135, 0137,0142,0147,0149, 0150,0152,0153,0154, 0167,0169,0172,0173, 0174,0182,0183,0186, 0187,0188,0189,0193, 0194,0197,0198,0200, 0201,0202,0204,0205, 0206,0207,0209,0211, 0217,0218,0235,0242, 0253,0254,0255,0260, 0262,0266,0281,0289, 0293,0296,0298,0302, 0303,0308,0311,0313, 0314,0316,0317,0318, 0324,0327,0330,0333, 0334,0335,0343,0348, 0350,0351,0360,0369, 0372,0373,0379,0382, 0383,0384,0386,0387, 0388,0389,0390,0393, 0395,0438,0490,0505, 0518, 0561,0562. 695976 Housing-Blower Used on Type No(s). 0100,0112,0127,0279, 0291,0297,0307,0331, 0332,0338,0346,0358, 0370,0377,0392,0397, 0467,0528,0529,0555, 0668. 697270 Housing-Blower Used on Type No(s). 0288,0295,0323,0325, 0329,0345,0347. 695976 Housing-Blower (Used After Code Date 06081300). Used on Type No(s). 0322,0374. 499677 Housing-Blower (Used Before Code Date 06081400). Used on Type No(s). 0322,0374.	305	691108	Screw (Blower Housing)	374	691074	Washer (Camshaft)
			306	691232	Shield-Cylinder	383	19374S	Wrench-Spark Plug
			307	690345	Screw (Cylinder Shield)	404	690272	Washer (Governor Crank)
			309	695550	Motor-Starter (Used Before Code Date 07052900).	425A	690244	Screw (Air Cleaner Cover)
			309A	795092	Motor-Starter (Used After Code Date 07052800).	443B	690255	Screw (Air Cleaner Primer Base)
			310	692327	Bolt (Starter Motor)	445A	697029	Filter-Air Cleaner Cartridge
			332	690662	Nut (Flywheel)	455	791960	Cup-Flywheel
			333	802574	Armature-Magneto	456	692299	Plate-Pawl Friction
			334	691061	Screw (Magneto Armature)	459	281505S	Ratchet-Pawl
			337	692051	Plug-Spark (Resistor)	472	693809	Knob-Choke Shaft
					----- Note -----	474	691991	Alternator ----- Note -----
					692720 Plug-Spark (EMS)			695730 Alternator Used on Type No(s). 0147, 0324, 0333, 0343, 0351, 0365, 0372, 0373, 0382, 0438, 0518.
			341	690368	Stud (Mounting Bracket)	493	692877	Bracket-Mounting
			346	690661	Screw (Spark Arrestor)	505	691251	Nut (Governor Control Lever)
			347	691396	Switch-Rocker	510	795093	Drive-Starter
			356	692390	Wire-Stop	513	692358	Clutch-Drive
			356A	499690	Wire-Stop	523	499621	Dipstick
			356B	692151	Wire-Stop	524	692296	Seal-Dipstick Tube
			356C	693010	Wire-Stop	525	495265	Tube-Dipstick
			356D	695283	Wire-Stop	529	692937	Grommet
			357	692191	Key-Drive Pulley	532	692851	Nut (Mounting Bracket)
			358	792384	Gasket Set-Engine	544	690786	Armature-Starter
			363	19069	Puller-Flywheel	545	492919	Washer Set (Starter Motor)
			365	691129	Screw (Carburetor) (Used After Code Date 05110100). ----- Note -----	562	691119	Bolt (Governor Control Lever)
					691136 Screw (Carburetor) (Used Before Code Date 05110200).	564A	693808	Screw (Control Cover)
						578	398153	Wire Assembly

★ Included in Engine Gasket Set-Ref. No.358.

● Included in Carburetor Overhaul Kit-Ref. No. 121.

◆ Included in Carburetor Gasket Set-Ref. No. 977.

△ Included in Valve Gasket Set-Ref. No 1095.

Illustrations cover a range of engines. Parts shown without corresponding text may not be used on your specific engine.

121600

REF. NO.	PART NO.	DESCRIPTION	REF. NO.	PART NO.	DESCRIPTION	REF. NO.	PART NO.	DESCRIPTION
584	697734	Cover-Breather Passage	676	397931	Deflector-Muffler (Direct Out) (3/4" Diameter)	741	794388	Gear-Timing (Use Without Woodruff Key)
585	★691879	Gasket-Breather Passage	676A	393756	Deflector-Muffler (Flanged Side Out)			(Used After Code Date 07093000).
592	690800	Nut (Rewind Starter)			----- Note -----			----- Note -----
597	691696	Screw (Pawl Friction Plate)			393760 Deflector-Muffler (Side Out)			790345 Gear-Timing (Use Without Woodruff Key)
601	791850	Clamp-Hose			Used on Type No(s). 0317, 0318, 0348, 0372, 0391.			(Used Before Code Date 07100100).
601A	691038	Clamp-Hose	676B	396548	Deflector-Muffler (Single Louver)	742	93941	Retainer-E-Ring
604A	693807	Cover-Control	676C	497682	Deflector-Muffler (Direct Out) (1 3/16" Diameter)	743	690516	Gear-Drive (Clockwise)
		----- Note -----						----- Note -----
		692669 Cover-Control Used on Type No(s). 0137.	676D	697915	Deflector-Muffler (Square Lo Tone)			691772 Gear-Drive (Counterclockwise) Used on Type No(s). 0112, 0122, 0147, 0150, 0158, 0160, 0161, 0162, 0205, 0236, 0241, 0251, 0328, 0343, 0375.
608	497680	Starter-Rewind	677	690661	Screw (Muffler Deflector)			
613	691108	Screw (Muffler)	684	690345	Screw (Breather Passage Cover)			
613A	691140	Screw (Muffler)	689	691855	Spring-Friction			
615	690340	Retainer-Governor Shaft	692	690572	Spring-Friction	745	691648	Screw (Brake)
616	698801	Crank-Governor	697	691127	Screw (Drive Cap)	750	691683	Screw (Oil Pump Cover)
619	691108	Screw (Cylinder Head Plate)	715	691147	Screw (Shaft Stop)	783	691918	Gear-Pinion (19 Teeth) (Starter Drive)
621	692310	Switch-Stop	718	690959	Pin-Locating			
633	◆693867	Seal-Choke/Throttle Shaft	721	690449	Stop-Shaft	783A	691269	Gear-Pinion (12 Teeth)
633A	◆691321	Seal-Choke/Throttle Shaft	727	692934	Cover-Starter Drive	784	795095	Cover-Starter Gear
635	66538S	Boot-Spark Plug	737	692511	Screw (Oil Filter Adapter)	785	692352	Gasket-Starter Cover
635A	692927	Boot-Spark Plug						
651	691660	Screw (Starter Gear Cover)						
670	692294	Spacer-Fuel Tank						

★ Included in Engine Gasket Set-Ref. No.358.

● Included in Carburetor Overhaul Kit-Ref. No. 121.

◆ Included in Carburetor Gasket Set-Ref. No. 977.

△ Included in Valve Gasket Set-Ref. No.1095.

Illustrations cover a range of engines. Parts shown without corresponding text may not be used on your specific engine.

REF. NO.	PART NO.	DESCRIPTION	REF. NO.	PART NO.	DESCRIPTION	REF. NO.	PART NO.	DESCRIPTION
789	696547	Harness-Wiring (Used After Code Date 00040600). ----- Note ----- 691372 Harness-Wiring (Used Before Code Date 00040700). 696546 Harness-Wiring Used on Type No(s). 0298, 0303, 0311, 0314, 0324, 0343, 0351, 0365, 0372, 0373, 0562.	801	690782	Cap-Drive	886	696268	Gasket Kit-Cylinder Head/Plate
			802	695267	Cap-End (Used After Code Date 00040600). ----- Note ----- 695975 Cap-End (Used Before Code Date 00040700).	910	691094	Stud (Alternator)
			803	695266	Housing-Starter (Used After Code Date 00040600). ----- Note ----- 695975 Housing-Starter (Used Before Code Date 00040700).	914	691108	Screw (Rocker Cover)
789A	696546	Harness-Wiring (Used After Code Date 00040600). ----- Note ----- 690790 Harness-Wiring (Used Before Code Date 00040700). 696545 Harness-Wiring Used on Type No(s). 0129, 0302, 0330, 0333, 0334, 0382.	830	694544	Stud-Rocker Arm	921A	699633	Cover-Blower Housing
			832	691466	Guard-Muffler (Super Lo Tone)	922	691831	Spring-Brake
			832A	692984	Guard Muffler (Quiet Lo Tone)	922A	692135	Spring-Brake
			832C	695593	Guard Muffler (Square Lo Tone)	923	691994	Brake
			836	691147	Screw (Muffler Guard)	923A	695891	Brake ----- Note ----- 695891 Brake (Used Before Code Date 08050100). Used on Type No(s). 0112, 0127, 0332, 0346, 0358, 0370, 0374, 0392, 0397, 0467, 0529, 0555, 0668.
			836A	697551	Screw (Muffler Guard)	923B	796136	Brake (Used After Code Date 08043000). Used on Type No(s). 0112, 0127, 0332, 0346, 0358, 0370, 0374, 0392, 0397, 0467, 0529, 0555, 0668.
			836B	692198	Screw (Muffler Guard)	925	795403	Cover-Linkage (Used After Code Date 07072200). ----- Note ----- 690595 Cover-Linkage (Used Before Code Date 07072300).
789B	695553	Harness-Wiring (Used After Code Date 00040300). Used on Type No(s). 0260. ----- Note ----- 694497 Harness-Wiring (Used Before Code Date 00040400). Used on Type No(s). 0260.	842	★691031	Seal-O Ring (Dipstick Tube)	930	691919	Guard-Rewind ----- Note ----- 499679 Guard-Rewind Used on Type No(s). 0298, 0303, 0324, 0365, 0438.
			843	691884	Sleeve-Lever			
			847	692047	Dipstick/Tube Assembly			
			851	493880S	Terminal-Spark Plug			
			853	695268	Adaptor-Wire ----- Note ----- 696842 Adapter-Wire Used on Type No(s). 0389, 0562, 0660, 0662.			
789C	694498	Harness-Wiring Used on Type No(s). 0129, 0302, 0330, 0333, 0334, 0382.	868	★△692044	Seal-Valve			
			883	★△691893	Gasket-Exhaust			

★ Included in Engine Gasket Set-Ref. No.358.

● Included in Carburetor Overhaul Kit-Ref. No. 121.

◆ Included in Carburetor Gasket Set-Ref. No. 977.

△ Included in Valve Gasket Set-Ref. No 1095.

Illustrations cover a range of engines. Parts shown without corresponding text may not be used on your specific engine.

121600

REF. NO.	PART NO.	DESCRIPTION	REF. NO.	PART NO.	DESCRIPTION	REF. NO.	PART NO.	DESCRIPTION
930A	692675	Guard-Rewind	993	★△694088	Gasket-Cylinder Head Plate	1095	792386	Gasket Set-Valve
935	499421	Switch-Interlock				1102	691255	Pilot-Guide
937	691325	Spline-Starter	994	692957	Arrestor-Spark			Used on Type No(s).
943	692514	Seal-O Ring (Oil Pump Cover)	994A	398067	Arrestor-Spark			0045, 0189, 0235, 0313, 0545.
946	396526	Guide-Rope	1005	691346	Fan-Flywheel	1102A	691266	Pilot-Guide
957	692046	Cap-Fuel Tank (Plastic)	1009	696255	Screw (Starter Motor)			Used on Type No(s).
957B	699985	Cap-Fuel Tank (Plastic)	1019	499691	Kit-Label			0030, 0142, 0188.
958	698183	Valve-Fuel Shut-Off (Plastic)			----- Note -----	1119	692979	Screw (Alternator)
965	692507	Cover-Oil Pump	1022	★△691890	Gasket-Rocker Cover			----- Note -----
966B	690243	Base-Air Cleaner Primer	1023	499624	Cover-Rocker			691183 Screw (Alternator)
967A	273356S	Filter-Pre Cleaner	1024	692508	Pump-Oil			Used on Type No(s).
968A	691342	Cover-Air Cleaner	1026	692045	Rod-Push			0324, 0333, 0343, 0351, 0365, 0372, 0373.
968B	692435	Cover-Air Cleaner	1027	692513	Filter-Oil	1160	690345	Screw (Interlock Switch)
969	691138	Screw (Blower Housing Cover)	1028	692516	Adapter-Oil Filter	1210	498144	Pulley/Spring Assembly (Pulley)
972	699374	Tank-Fuel (Plastic)	1029	691230	Arm-Rocker	1211	498144	Pulley/Spring Assembly (Spring)
972B	699387	Tank-Fuel (Plastic)	1034	691343	Guide-Push Rod Label-Emissions (Available From A Briggs & Statton Authorized Dealer)	1236	695959	Starter-Mechanical
		Used on Type No(s).	1036			1319	794467	Label-Warning
		0288, 0295, 0323, 0325, 0329, 0345, 0347.	1055	692623	Tube-Oil Pump	1330	272147	Manual-Repair
975	493640	Bowl-Float	1058	277102	Operator's Manual			
976	694395	Primer-Carburetor			----- Note -----			
977	792385	Gasket Set-Carburetor	1059	692311	Kit-Screw/Washer			
988	692515	Gasket-Oil Adapter			----- Note -----			
990	695951	Key Set (Touch N Mow)			696293 Kit-Screw/ Washer (Touch N Mow)			

★ Included in Engine Gasket Set-Ref. No.358.

● Included in Carburetor Overhaul Kit-Ref. No. 121.

◆ Included in Carburetor Gasket Set-Ref. No. 977.

△ Included in Valve Gasket Set-Ref. No 1095.

Illustrations cover a range of engines. Parts shown without corresponding text may not be used on your specific engine.

Not for
Reproduction

Not for
Reproduction

