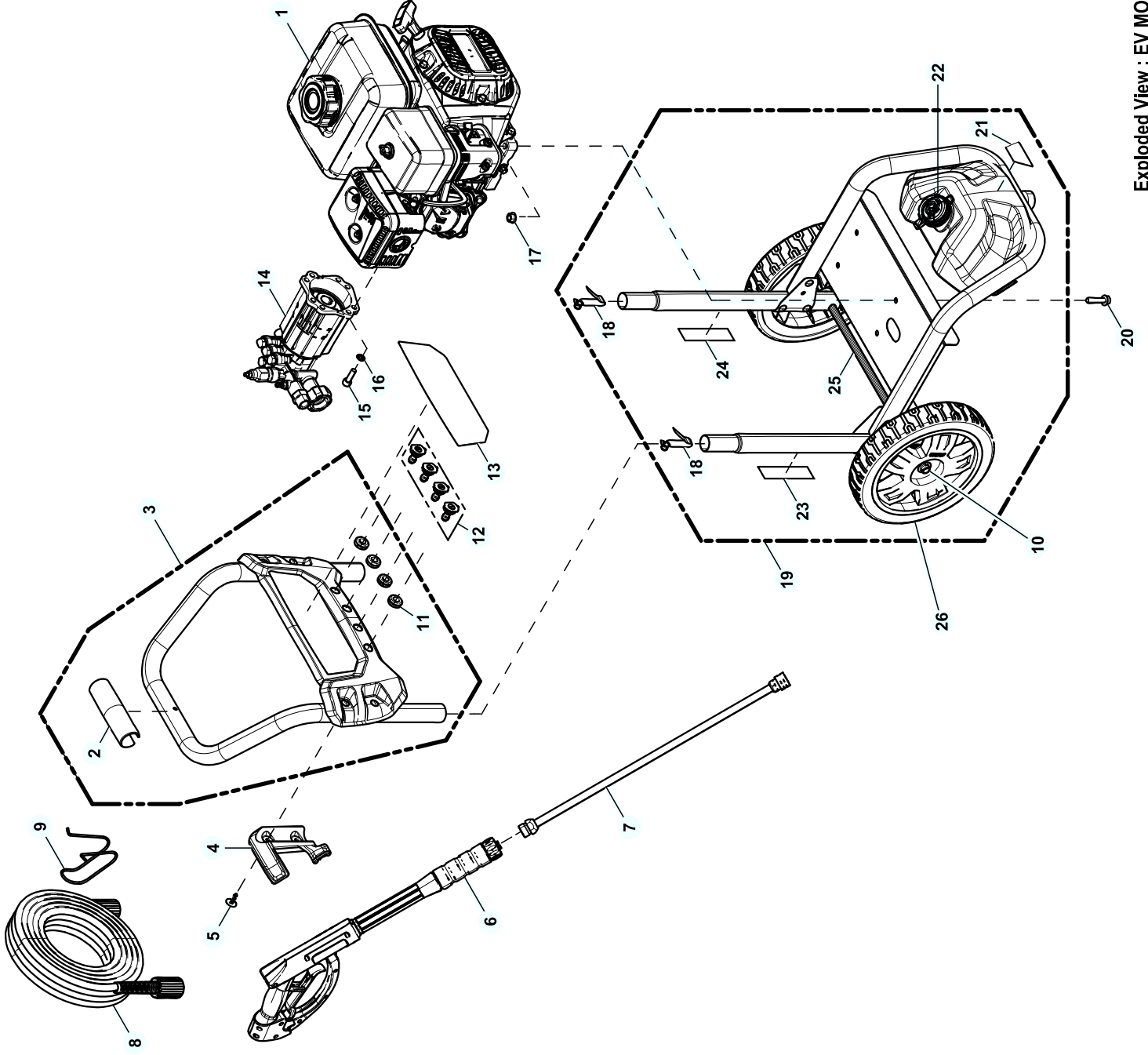


GROUP EV



EXPLODED VIEW: EV MOD PLTFRM 3100PSI**DRAWING #: 0L6628****GROUP EV**

ITEM	PART#	QTY.	DESCRIPTION
1	0K8430	1	ENGINE
2	0L4739	1	HANDLE C-GRIP
3	10000012847	1	HANDLE KIT PW RESI NO DECAL
4	0L4738	1	HOLSTER GUN
5	0J1449	2	FASTENER RIBBED SHANK CHRSTM T
6	0H9642A	1	GUN ASSEMBLY
7	0H9640	1	LANCE ASSY-20" LONG
8	0K0921	1	HOSE 25'X1/4" W/M22 CONN
9	0J3052	1	HOOK-HOSE
10	0k9974	1	PUSH NUT
11	0J3079	4	GROMMET-NOZZLE
12	0H9617S	1	KIT-NOZZLE
13	0L4740	1	DECAL NOZZLE BILLBOARD 3100
14	0K1663	1	PUMP AXIAL
15	0J3315	4	SCREW SHC M8-1.25X25 C8.8 ZP
16	092479	4	WASHER LOCK M8 RIBBED
17	067989	4	NUT HEX FL WHIZ M8-1.25
18	0G5442	2	SNAP BUTTON
19	0L6827	1	CRADLE KIT
20	089230	4	SCREW HHFC M8-1.25 X 35 G8.8
21	0L2091	1	DECAL NO NOT USE BLEACH
22	0K4078A	1	CAP CHEM TANK W/HOSE CUTOUT
23	0J3374	1	DECAL QUICK START
24	0K6007	1	DECAL QUICK START
25	0K9978D	1	AXLE
26	0J6276	2	WHEEL