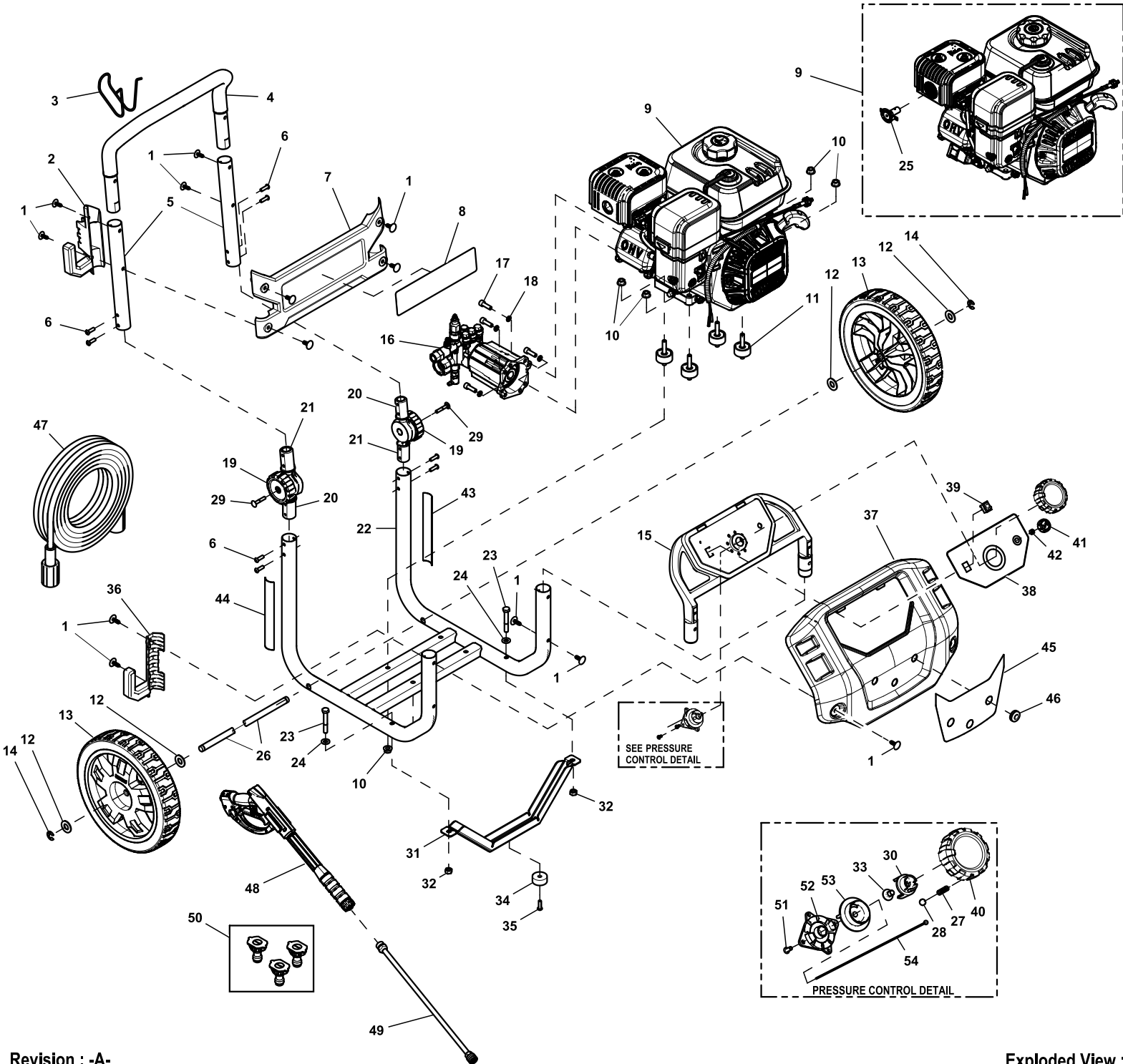


EXPLODED VIEW: EV VAR PRESS 3000PSI

DRAWING #: 0L0082

GROUP EV

ITEM	PART#	QTY.	DESCRIPTION
1	OK0435	16	FASTNER, RIIBBED SHANK CHRSTM TR
2	OK0044A	1	CAP W/GUN-WAND, BLACK
3	OJ3052	1	HOOK-HOSE
4	OK0042A	1	HANDLE, BLACK
5	OJ9729	2	TUBE-HANDLE_INST
6	OJ1545	6	SCREW BHSP M6 X 19MM
7	OK0041A	1	BILLBOARD, UPPER, BLACK
8	OK0444C	1	DECAL HANDLE GENERAC MAT
9	OK5516	1	ENGINE 212CC G19 CARB W/MOD
10	067989	8	NUT HEX FL WHIZ M8-1.25
11	021217	4	VIB MNT 16 X 35 X M8-1.25
12	022304	4	WASHER FLAT 1/2 ZINC
13	0J6276	2	WHEEL 10" X 1.75" X 0.5" DIA 2PC
14	OK0982	2	RING SNAP 1/2 TYPE E
15	OK0046	1	BILLBOARD-LOWER CONTROL
16	OK6269	1	PUMP AXIAL
17	0J3315	4	SCREW SHC M8-1.25 X 25 C8.8
18	092479	4	WASHER LOCK M8 RIBBED
19	OJ9741	2	CAP-KNOB, HANDLE
20	OJ9646	2	HINGE PLATE RH FRAME
21	OJ9645	2	HINGE PLATE LH FRAME
22	OJ9708	1	WELDMNT-TUBE FRAME
23	0L2079	2	SCREW HHC M8-1.25 X 45 PC8.8
24	022145	2	WASHER FLAT 5/16-M8 ZINC
25	OK1851	1	SPARK ARRESTER
26	OJ9739C	1	AXLE, 1/2" DIA.
27	OK1109	1	SPRING, DETENT
28	OK1132	1	BALL 7MM STAINLESS
29	OK1579	2	CHB M6-1.00 X 35MM LONG
30	OK0141	1	KNOB SYNCRONIZER-CONTROL
31	0L1227	1	FOOT, 3000PSI FORMED
32	049820	2	NUT HEX LOCK M8-1.25 NY INS
33	OK0573	1	SCREW BFHSC M6-1.0 X 10 BLK ZP
34	0J2229	1	VIBRATION MOUNT 1-1/4" OD
35	0L2085	1	RIVET POP .25 X 0.625 STL BLK
36	OK1138A	1	CAP-W/GUN, BLACK
37	OK9056	1	BILLBOARD, LOWER
38	OK0877D	1	DECAL BILLBOARD LWR CNTRL 3000
39	OK0442	1	SWITCH ON/OFF
40	OK0138	1	KNOB CONTROL
41	OK0781	1	CAP-CHOKE CABLE
42	OK1744	1	NUT HEX M10 X 1.0 X 6
43	OK9075A	1	DECAL START INST MATTE
44	OK9074A	1	DECAL, PREPARE INSTR, MATTE
45	0L0151A	1	DECAL, NOZZLES BILLBOARD, MATTE
46	OJ3079	6	GROMMET-NOZZLE
47	OK0921	1	HOSE 25"X1/4" W/M22 CONN 3100
48	OH9642A	1	GUN ASSEMBLY-GC
49	OH9640	1	LANCE ASSY-20" LONG
50	OH9617M	1	KIT-NOZZLE
51	OK0899	2	SCREW BHSP M4 X 10MM
52	OK0139	1	PLATE-STEPPED CONTROL
53	OK0140	1	ROTOR-STEPPED CONTROL
54	OK0438A	1	THROTTLE CABLE



EXPLODED VIEW: EV VAR PRESS 3000PSI**DRAWING #: 0L0082****GROUP EV**

ITEM	PART#	QTY.	DESCRIPTION
1	OK0435	16	FASTNER, RIIBBED SHANK CHRSTM TR
2	OK0044A	1	CAP W/GUN-WAND, BLACK
3	OJ3052	1	HOOK-HOSE
4	OK0042A	1	HANDLE, BLACK
5	OJ9729	2	TUBE-HANDLE_INST
6	OJ1545	6	SCREW BHSP M6 X 19MM
7	OK0041A	1	BILLBOARD, UPPER, BLACK
8	OK0444C	1	DECAL HANDLE GENERAC MAT
9	OK5516	1	ENGINE 212CC G19 CARB W/MOD
10	067989	8	NUT HEX FL WHIZ M8-1.25
11	021217	4	VIB MNT 16 X 35 X M8-1.25
12	022304	4	WASHER FLAT 1/2 ZINC
13	0J6276	2	WHEEL 10" X 1.75" X 0.5" DIA 2PC
14	OK0982	2	RING SNAP 1/2 TYPE E
15	OK0046	1	BILLBOARD-LOWER CONTROL
16	OK6269	1	PUMP AXIAL
17	0J3315	4	SCREW SHC M8-1.25 X 25 C8.8
18	092479	4	WASHER LOCK M8 RIBBED
19	OJ9741	2	CAP-KNOB, HANDLE
20	OJ9646	2	HINGE PLATE RH FRAME
21	OJ9645	2	HINGE PLATE LH FRAME
22	OJ9708	1	WELDMNT-TUBE FRAME
23	0L2079	2	SCREW HHC M8-1.25 X 45 PC8.8
24	022145	2	WASHER FLAT 5/16-M8 ZINC
25	OK1851	1	SPARK ARRESTER
26	0J9739C	1	AXLE, 1/2" DIA.
27	OK1109	1	SPRING, DETENT
28	OK1132	1	BALL 7MM STAINLESS
29	OK1579	2	CHB M6-1.00 X 35MM LONG
30	OK0141	1	KNOB SYNCRONIZER-CONTROL
31	0L1227	1	FOOT, 3000PSI FORMED
32	049820	2	NUT HEX LOCK M8-1.25 NY INS
33	OK0573	1	SCREW BFHSC M6-1.0 X 10 BLK ZP
34	0J2229	1	VIBRATION MOUNT 1-1/4" OD
35	0L2085	1	RIVET POP .25 X 0.625 STL BLK
36	OK1138A	1	CAP-W/GUN, BLACK
37	OK9056	1	BILLBOARD, LOWER
38	OK0877D	1	DECAL BILLBOARD LWR CNTRL 3000
39	OK0442	1	SWITCH ON/OFF
40	OK0138	1	KNOB CONTROL
41	OK0781	1	CAP-CHOKE CABLE
42	OK1744	1	NUT HEX M10 X 1.0 X 6
43	OK9075A	1	DECAL START INST MATTE
44	OK9074A	1	DECAL, PREPARE INSTR, MATTE
45	0L0151A	1	DECAL, NOZZLES BILLBOARD, MATTE
46	OJ3079	6	GROMMET-NOZZLE
47	OK0921	1	HOSE 25"X1/4" W/M22 CONN 3100
48	0H9642A	1	GUN ASSEMBLY-GC
49	0H9640	1	LANCE ASSY-20" LONG
50	0H9617M	1	KIT-NOZZLE
51	OK0899	2	SCREW BHSP M4 X 10MM
52	OK0139	1	PLATE-STEPPED CONTROL
53	OK0140	1	ROTOR-STEPPED CONTROL
54	OK0438A	1	THROTTLE CABLE