

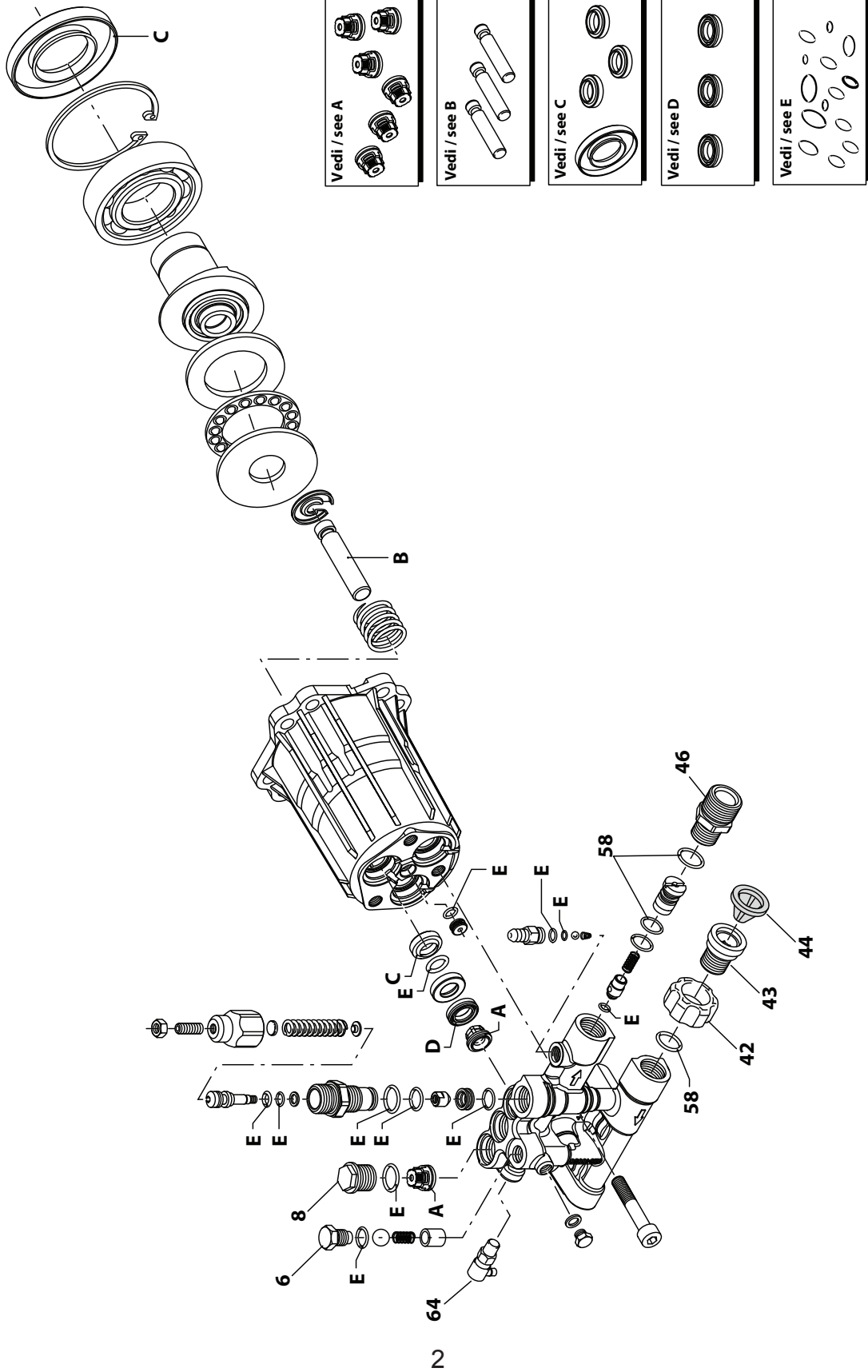


# Power Washer Pump Parts Manual

Model 0068090

#### **NOTICE!**

The information in this manual is known to be accurate as of the date of release shown on the cover. However, engineering changes can occur without notice. To obtain the proper parts, please be sure to use the serial number of the unit being serviced when ordering from this manual. Always refer to any parts notes and changes before ordering. All other parts not shown in this manual can be found on Generac's exploded view drawings online on GENservice at [www.generac.com](http://www.generac.com).



# Model 006809-0



ITEM	PART NO.	QTY.	DESCRIPTION
6	0H95650130	1	UNLOADER SCREW PLUG
8	0K62690110	3	VALVE PLUG
42	0H95650120	1	SUCTION FITTING
43	0H95650121	1	SUCTION FITTING
44	0H95650122	1	FILTER
46	0H95650123	1	OUTLET FITTING
58	0H95650124	2	O-RING
64	0H9570	1	THERMAL RELIEF VALVE ASSEMBLY
<b>KIT NUMBERS</b>			
KIT A	0K62690111	1	VALVE KIT
KIT B	0H95650111	1	PISTON KIT
KIT C	0J93750102	1	OIL SEALS KIT
KIT D	0H95650113	1	WATER SEALS KIT
KIT E	0K62690112	1	O-RING KIT



# Model 006809-0

©2015 Generac Power Systems, Inc. All rights reserved.  
Specifications are subject to change without notice  
No reproduction allowed in any form without prior written consent from Generac Power Systems, Inc.