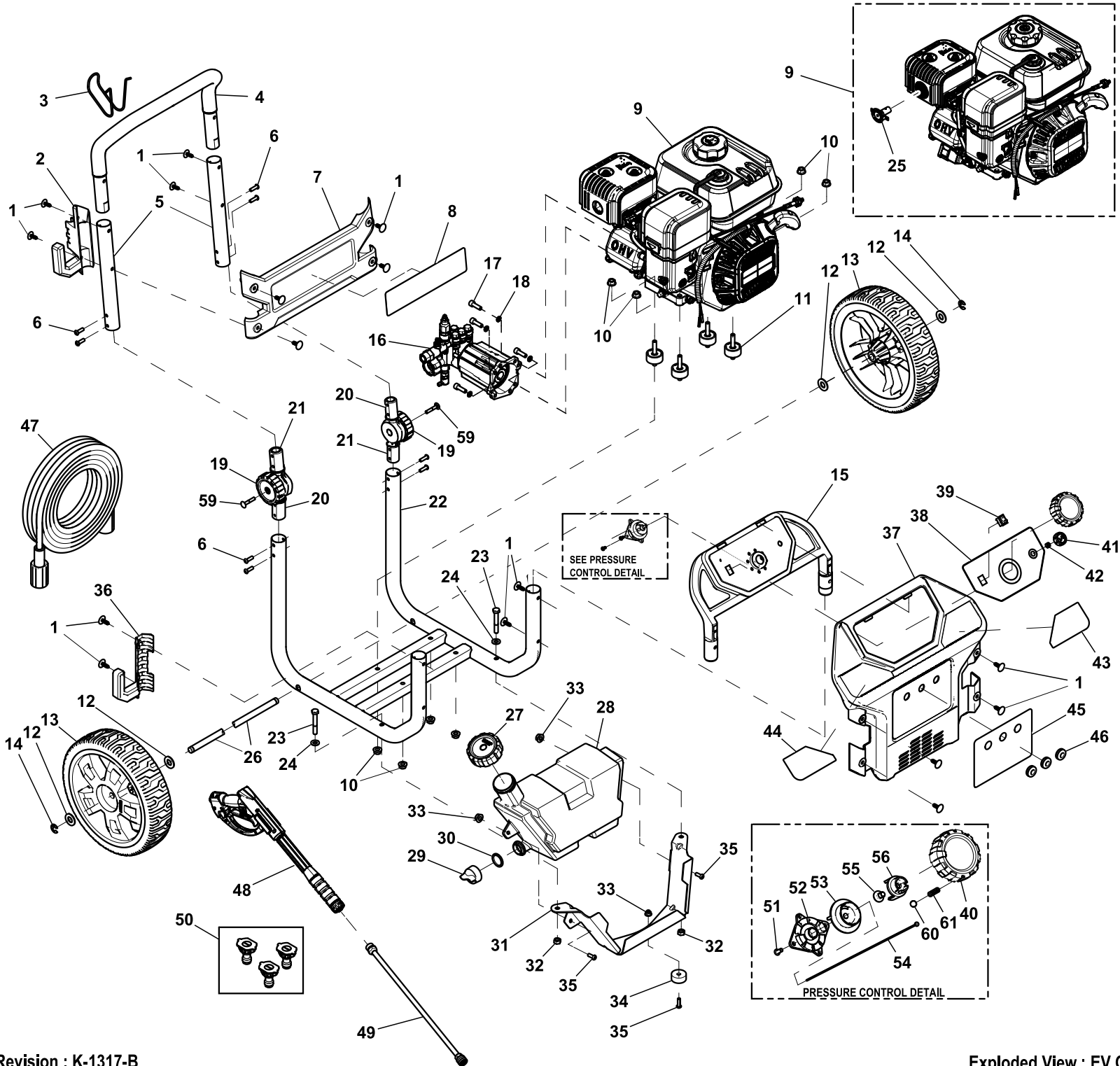


GROUP EV



GROUP EV

ITEM	PART	QTY.	DESCRIPTION	ITEM	PART	QTY.	DESCRIPTION
1	0K0435	16	FASTNER, RIBBED SHANK CHRSTM TR	33	0D3700	3	NUT FLANGE M6-1.0 NYLOK
2	0K0044	1	CAP W/GUN-WAND	34	0J2229	1	VIBRATION MOUNT 1-1/4" OD
3	0J3052	1	HOOK-HOSE	35	0J5086	1	SCREW BHSC M6-1.0 X 20 ZP
4	0K0042	1	HANDLE	36	0K1138	1	CAP-W/GUN
5	0J9729	2	TUBE-HANDLE	37	0K0045	1	BILLBOARD-LOWER
6	0J1545	8	SCREW BHSP M6 X 19MM	38	0K0877C	1	DECAL BILLBOARD LWR CNTRL 3100
7	0K0041	1	BILLBOARD-UPPER	39	0K0442	1	SWITCH, ON-OFF
8	0K0444	1	DECAL HANDLE (3000)	40	0K0138	1	KNOB CONTROL
	0K0444A	1	DECAL HANDLE (3100)	41	0K0781	1	CAP CHOKE CABLE
9	0K5514	1	ENGINE 212CC G19 EPA3 (3000 & 3100)	42	0K1744	1	NUT HEX M10X1.0X6
	0K5516	1	ENGINE 212CC G19 EPA3 CARB (3000 & 3100)	43	0K0445	1	DECAL QUICK SET UP
10	067989	8	NUT HEX FL WHIZ M8-1.25	44	0K0054	1	DECAL INSTRUCTIONS PW
11	021217	4	VIB MNT 16 X 35 X M8-1.25	45	0K0053	1	DECAL NOZZLES BILLBOARD
12	022304	4	WASHER FLAT 1/2 ZINC	46	0J3079	3	GROMMET-NOZZLE
13	0K0256A	2	WHEEL 11" X 2.5" X 0.5"	47	0K0921A	1	HOSE 30 FT X 1/4" W/M22 CONN
14	0K0982	2	RING SNAP 1/2 TYPE E	48	0H9642A	1	GUN ASSEMBLY - GC
15	0K0046	1	BILLBOARD-LOWER CONTROL	49	0H9640	1	LANCE ASSY - 20" LONG
16	0J7764	1	PUMP, AXIAL-2.5GPM 3000PSI	50	0H9617G	1	KIT-NOZZLE
17	0J3315	4	SCREW SHC M8-1.25 X 25 C8.8	51	0K0899	2	SCREW BHSP M4 X 10MM
18	092479	4	WASHER LOCK M8 RIBBED	52	0K0139	1	PLATE-STEPPED CONTROL
19	0J9741	2	CAP-KNOB, HANDLE	53	0K0140	1	ROTOR-STEPPED CONTROL
20	0J9646	2	HINGE PLATE HANDLE	54	0K0438A	1	BOWDEN CABLE
21	0J9645	2	HINGE PLATE FRAME	55	0K0573	1	SCREW BFHSC M6-1.0 X 10 BLK ZP
22	0J9708	1	WELDMENT TUBE FRAME BLACK	56	0K0141	1	KNOB SYNCHRONIZER-CONTROL
23	0J3317	2	SCREW HHC M8-1.25 X 55 PC8.8	59	0K1579	2	CHB M6-1.00 X 35MM LONG
24	022145	2	WASHER FLAT 5/16-M8 ZINC	60	0K1132	1	BALL, 7MM, STAINLESS
25	0K1851	1	SPARK ARRESTER (CARB ENGINE ONLY)	61	0K1109	1	SPRING, DETENT
26	0J9739	1	AXLE, 1/2" DIA				
27	0J9793	1	CAP-CHEMICAL FILL				
28	0K0257	1	TANK-CHEMICAL				
29	0J9794	1	CAP-DRAIN				
30	0K1964	1	GASKET, CAP DRAIN				
31	0K1814	1	BRACKET-MOUNTING FOOT, WELDED				
32	049820	2	NUT HEX LOCK M8-1.25 NY INS				