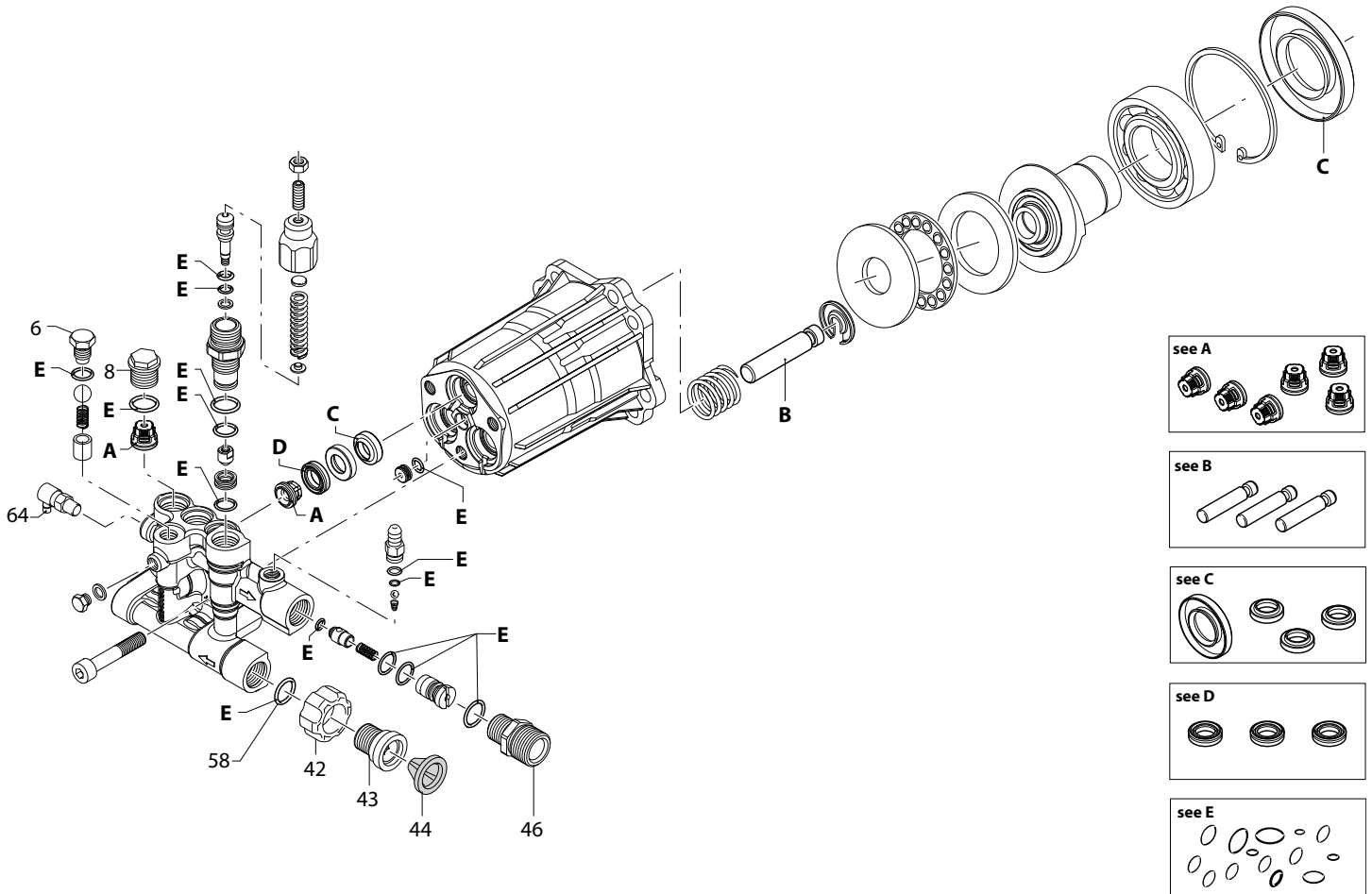


POWER WASHER PUMP, AXIAL-2.2GPM 2600 PSI – REPLACEMENT PARTS



REF. #	Generac Part #	QTY	Description
	0K5580	1	PUMP, AXIAL 2.2GPM 2600 PSI
6	0H95650130	1	PLUG, SCREW UNLOADER
8	0K55800110	1	PLUG, VALVE
42	0H95650120	1	FITTING, SUCTION
43	0H95650121	1	FITTING, SUCTION
44	0H95650122	1	FILTER
46	0H95650123	1	FITTING, OUTLET
58	0H95650124	2	O-RING 014X2
64	0H9570	1	VALVE ASSY., THERMAL RELIEF

REF. #	Generac Part #	Description
A	0K55800111	KIT - VALVES
B	0H95650111	KIT - PISTONS
C	0J93750102	KIT - OIL SEALS
D	0H95650113	KIT - WATER SEALS
E	0K16630110	KIT - O-RINGS

GENERAC[®]

Generac Power Systems, Inc.
S45 W29290 Hwy. 59
Waukesha, WI 53189
1-888-GENERAC (1-888-436-3722)

Part No. 0K5580PMNL Printed in USA Rev. A 05/01/14
©2014 Generac Power Systems, Inc. All rights reserved.
Specifications are subject to change without notice
No reproduction allowed in any form without prior written consent from Generac Power Systems, Inc.

generac.com

Internal Use Only – Not for Distribution