



Engine Parts Manual

212cc (G19)

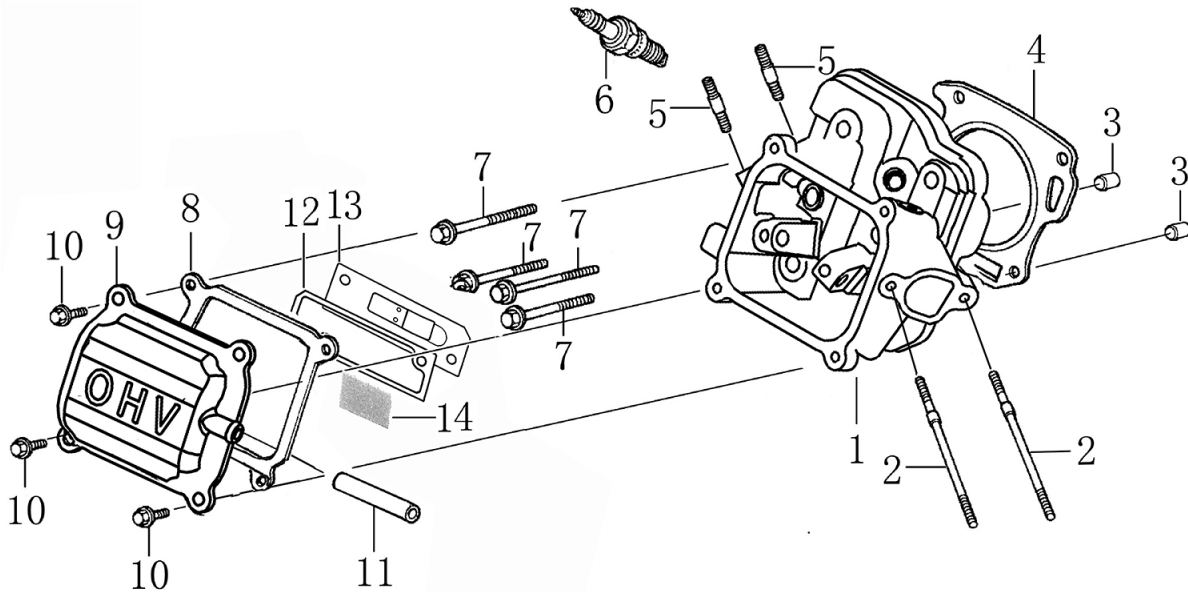
* Units with serial numbers **other than** 7418714, 7418715, 7420195 and greater reference engine parts manual 0J8288PMNL.

* If unit serial number **is** 7418714, 7418715, 7420195 or greater reference engine parts manual 0K1043PMNL.

NOTICE!

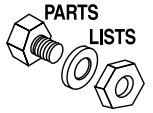
The information in this manual is known to be accurate as of the date of release shown on the cover. However, engineering changes can occur without notice. To obtain the proper parts, please be sure to use the serial number of the unit being serviced when ordering from this manual. Always refer to any parts notes and changes before ordering. All other parts not shown in this manual can be found on Generac's exploded view drawings online on GENservice at www.generac.com.

Cylinder Head

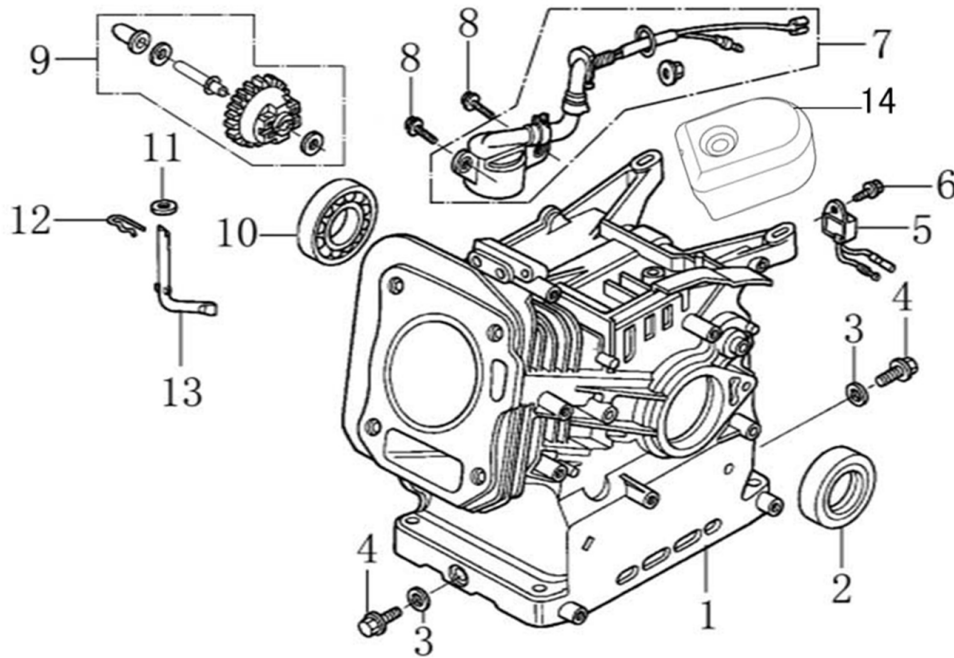


ITEM	PART NO.	QTY.	DESCRIPTION
1	0J88870101	1	HEAD, CYLINDER
2	0J35220159	2	BOLT, STUD, IN.
3	0J35220165	2	PIN, DOWEL
4	0K10430110	1	GASKET, CYLINDER
5	0G84420210	2	BOLT, STUD, EX.
6	0J00620106	1	PLUG, SPARK
7	0J35220158	4	BOLT, FLANGE , 8x60
8	0J88870103	1	GASKET, HEAD COVER
9	0J88870104	1	COVER, HEAD
10	0G84420217	4	BOLT, FLANGE , 6x14
11	0J88870105	1	TUBE, BREATHER
12	0J88870107	1	GASKET, BREATHER CHAMBER
13	0J88870106	1	CAP, BREATHER CHAMBER
14	0J88870108	1	OIL STRAINER
NOT SHOWN	0K104300SM	1	212CC GASOLINE ENG (G19) SM KIT

212cc ENGINE

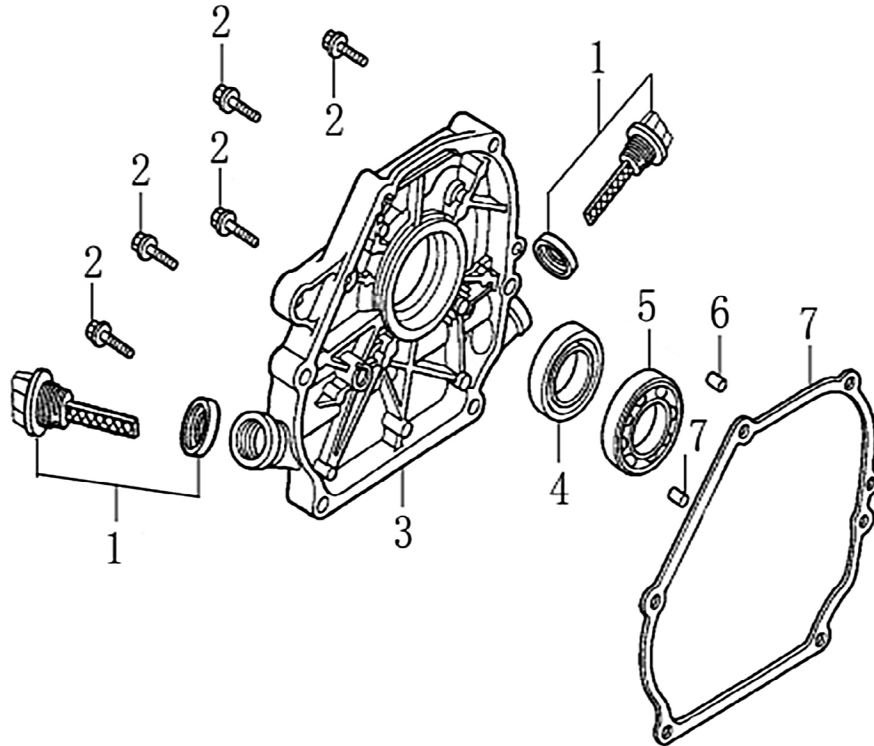


Crankcase



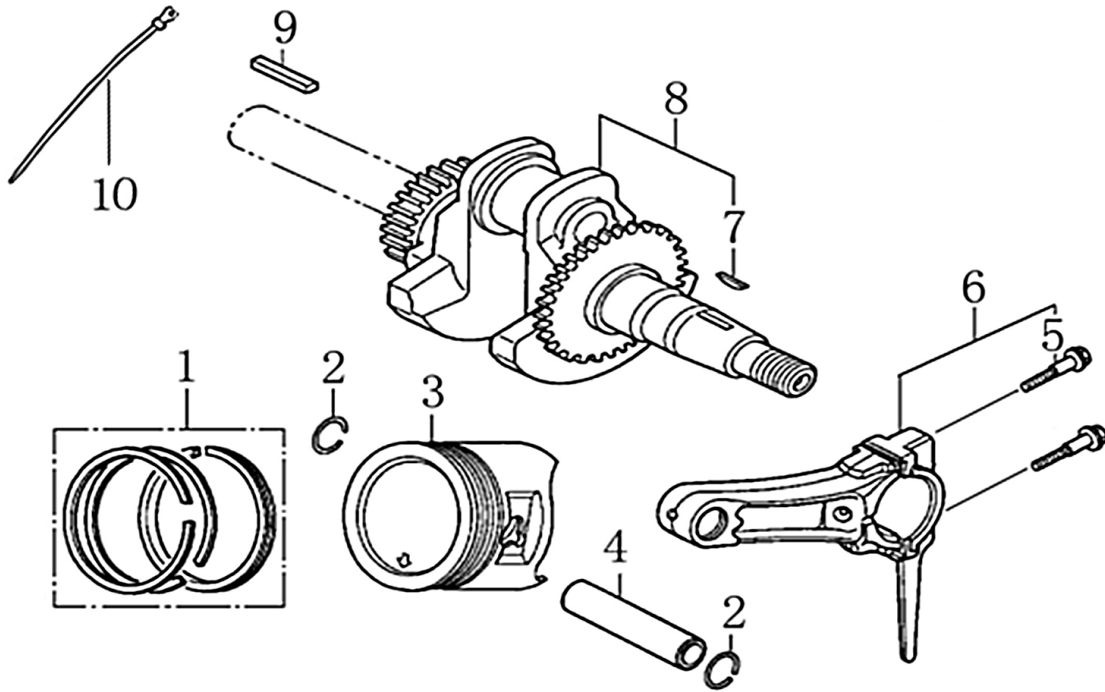
ITEM	PART NO.	QTY.	DESCRIPTION
1	OK10430111	1	CRANK CASE
2	OJ35220166	1	OIL SEAL 25x41.25x6
3	OJ35220164	2	WASHER, DRAIN PLUG
4	OJ35220111	2	BOLT, DRAIN PLUG
5	OG84420112	1	ALERT UNIT, OIL
6	OJ35220157	1	BOLT, FLANGE, 6x10
7	OJ35220154	1	OIL LEVEL SWITCH
8	OG84420217	2	BOLT, FLANGE , 6*14
9	OJ88870110	1	GOVERNOR GEAR ASSY.
10	OJ35230139	1	BEARING, RADIAL BALL
11	OJ47870118	1	WASHER, PLAIN
12	OG84420219	1	PIN, LOCK
13	OJ47870119	1	SHAFT, GOVERNOR ARM
14	OJ88870133	1	COVER, WIRE

Crankcase Cover



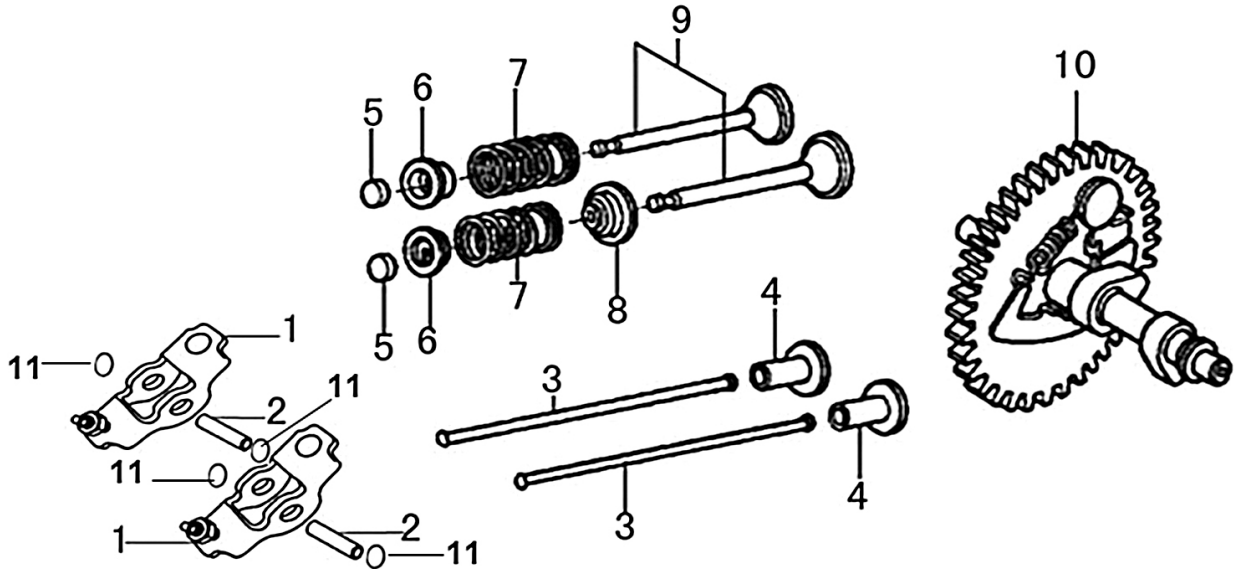
ITEM	PART NO.	QTY.	DESCRIPTION
1	0J35230110	2	CAP ASSY. DIP STICK
2	0J35230136	6	BOLT, FLANGE
3	0J88870111	1	CASE COVER
4	0J35220166	1	OIL SEAL 25x41.25x6
5	0J35230139	1	BEARING, RADIAL BALL
6	0J35230138	2	PIN, DOWEL
7	0J88870112	1	GASKET, CASE COVER

Crankshaft and Piston



ITEM	PART NO.	QTY.	DESCRIPTION
1	OK10430113	1	RING SET
2	OJ47870127	2	CLIP, PISTON PIN
3	OK10430114	1	PISTON
4	OJ47870129	1	PIN, PISTON
5	OJ47870130	2	BOLT, CONNECTING ROD
6	OJ47870131	1	ROD ASSY., CONNECTING
7	OG84420119	1	KEY
8	OK10430115	1	CRANKSHAFT COMP
9	OJ88870117	1	KEY
10	029333A	1	TIE WRAP

Rocker and Camshaft

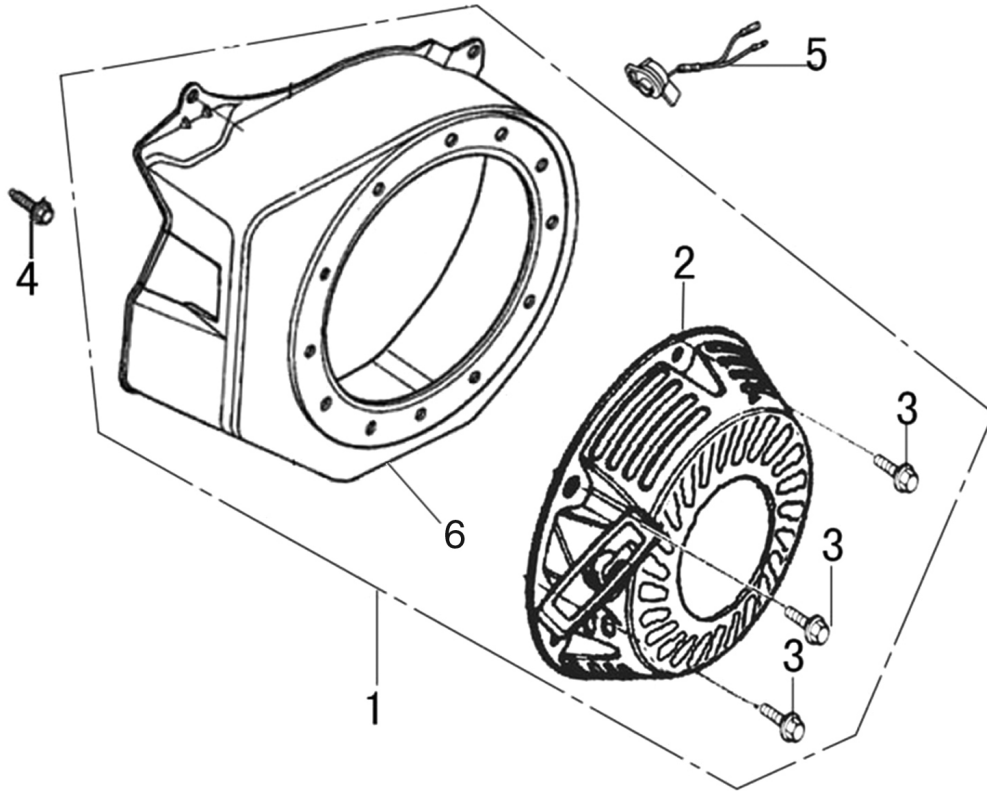


ITEM	PART NO.	QTY.	DESCRIPTION
1	0J88870120	2	ARM COMP.
2	0J88870119	2	VALVE ROCKER SHAFT
3	0J88870121	2	ROD, PUSH
4	0J35220122	2	LIFTER VALVE
5	0J35230114	2	ROTATOR, VALVE
6	0J35220118	2	RETAINER, VALVE SPRING
7	0J35220117	2	SPRING, VALVE
8	0J35220119	1	SEAL, GUIDE
9	0J35230140	1	VALVE COMP.
10	0J47870133	1	CAMSHAFT ASSY.
11	0K10430117	4	SPLIT WASHER

212cc ENGINE

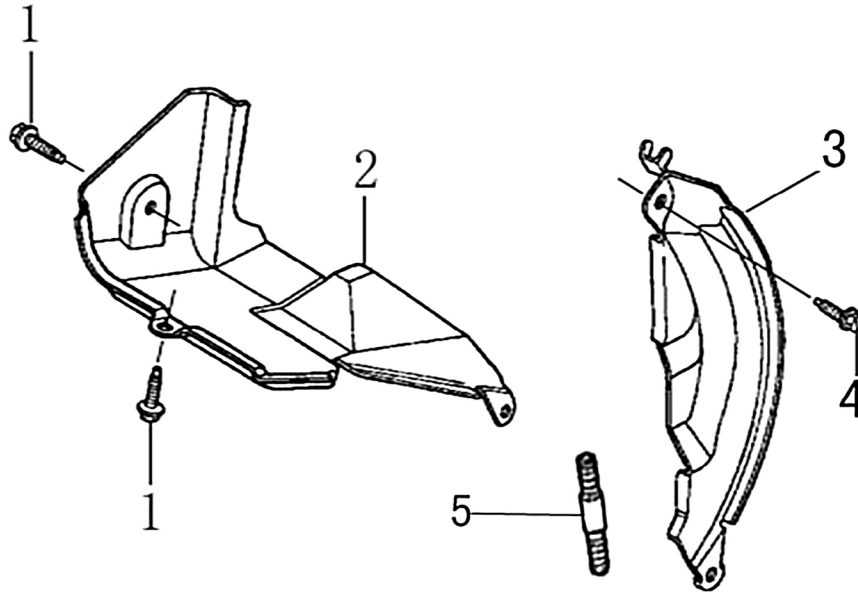


Starter



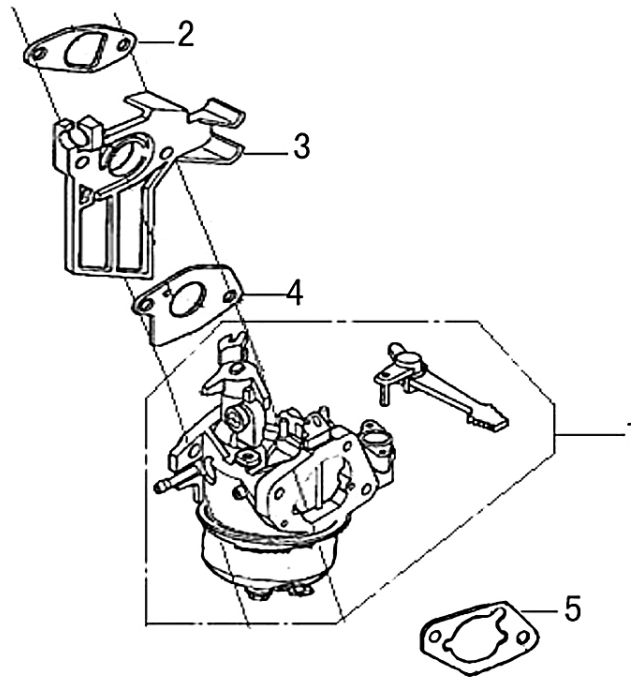
ITEM	PART NO.	QTY.	DESCRIPTION
1	0K10430118	1	RECOIL STARTER w/ BLOWER HSNQ.
2	0J35220150	1	STARTER ASSY., RECOIL
3	0G84420241	3	BOLT,FLANGE 6x8
4	0J35220157	4	BOLT,FLANGE 6x10
5	0G9911	1	SWITCH ASSY., ENGINE STOP
6	0K10430123	1	BLOWER HOUSING/SHROUD

Shrouds



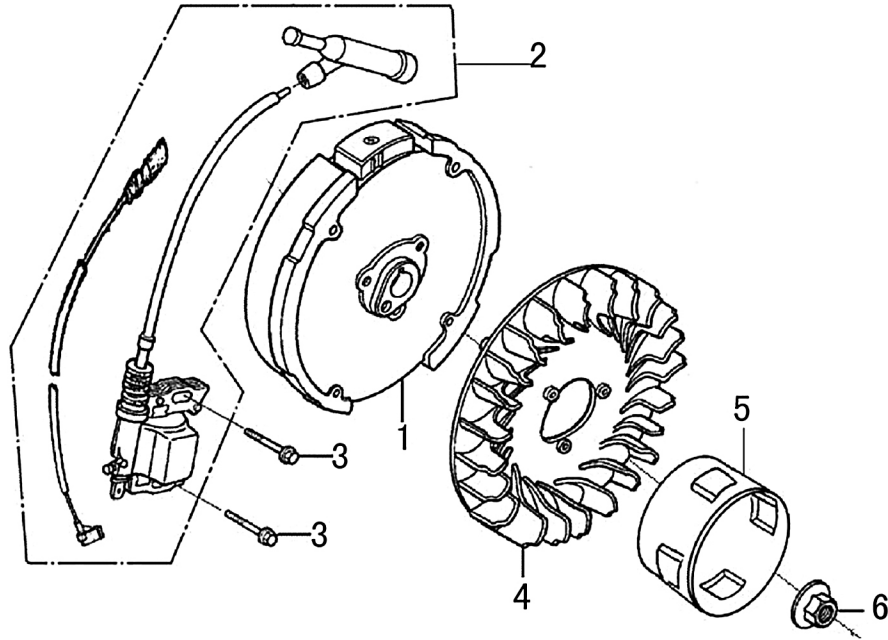
ITEM	PART NO.	QTY.	DESCRIPTION
1	0G84420241	2	BOLT, FLANGE 6x8
2	0J47870113	1	SHROUD COMP
3	0J35220125	1	PLATE, SIDE
4	0J35220156	1	BOLT, FLANGE , 6x20
5	0J35220160	1	BOLT, STUD

Carburetor



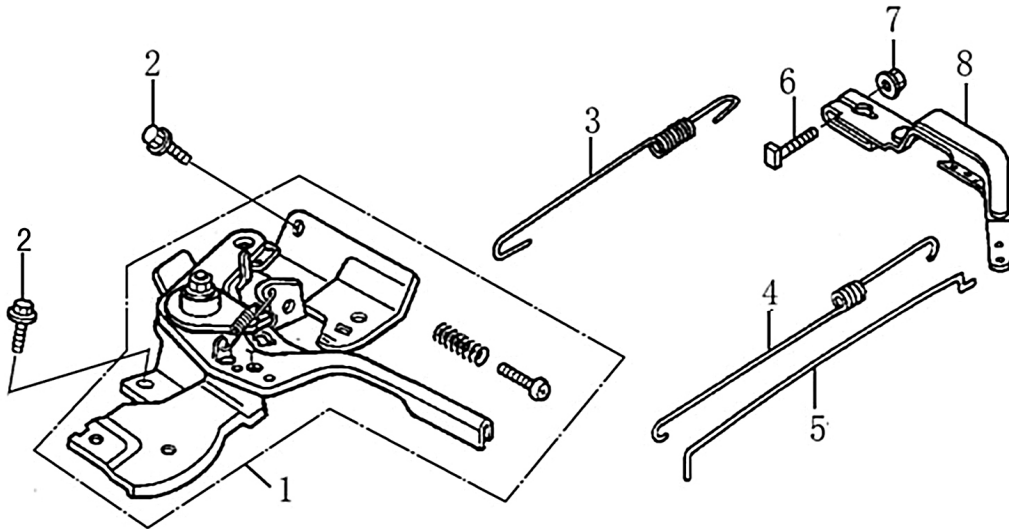
ITEM	PART NO.	QTY.	DESCRIPTION
1	OK10430120	1	CARBURETOR
2	OJ35220128	1	GASKET, INSULATOR
3	OJ35220130	1	INSULATOR, CARBURETOR
4	OJ35220127	1	GASKET, CARBURETOR
5	OJ35220129	1	GASKET, AIR CLEANER

Flywheel



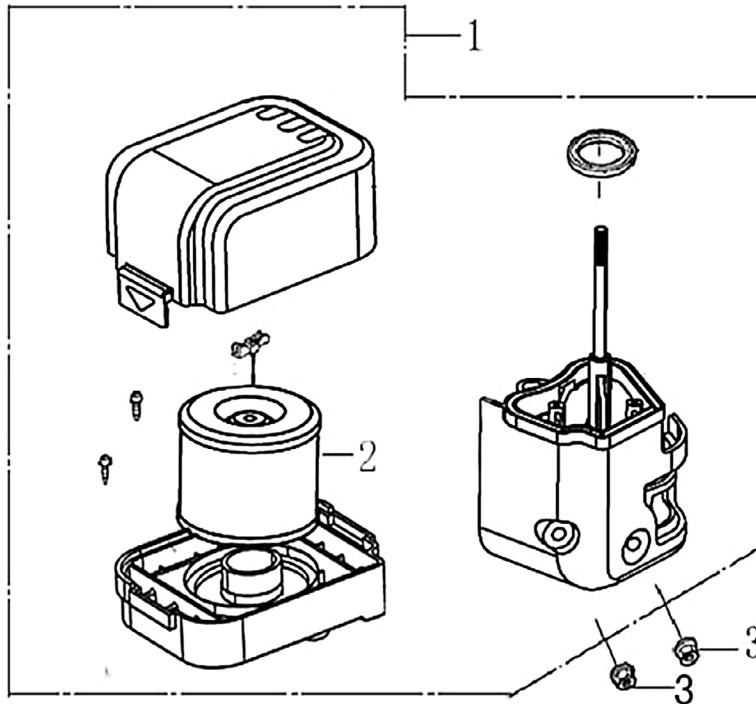
ITEM	PART NO.	QTY.	DESCRIPTION
1	0H95610115	1	FLYWHEEL
2	0J35220153	1	COIL ASSY., IGNITION
3	0G84420268	2	BOLT, FLANGE,6x25
4	0J35230117	1	FAN, COOLING
5	0K10430121	1	PULLEY, STARTER
6	0J35220162	1	NUT, SPECIAL

Control



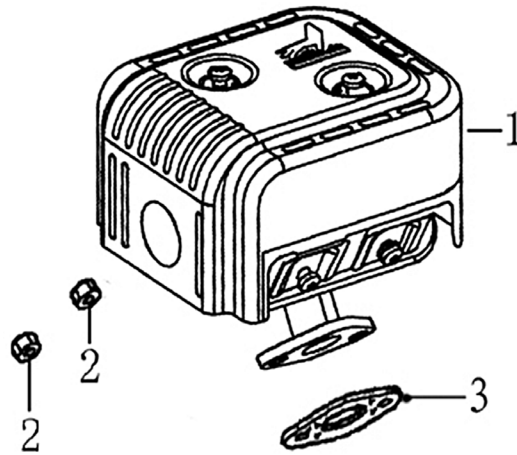
ITEM	PART NO.	QTY.	DESCRIPTION
1	0J35220139	1	CONTROL ASSY.
2	0J35220157	2	BOLT, FLANGE
3	0H95590117	1	SPRING, GOVERNOR
4	0J35220137	1	SPRING, THROTTLE RETURN
5	0H95590116	1	ROD, GOVERNOR
6	0G84420197	1	BOLT, GOVERNOR ARM M6x21
7	0G84420196	1	NUT, FLANGE
8	0J35220138	1	ARM, GOVERNOR

Air Cleaner



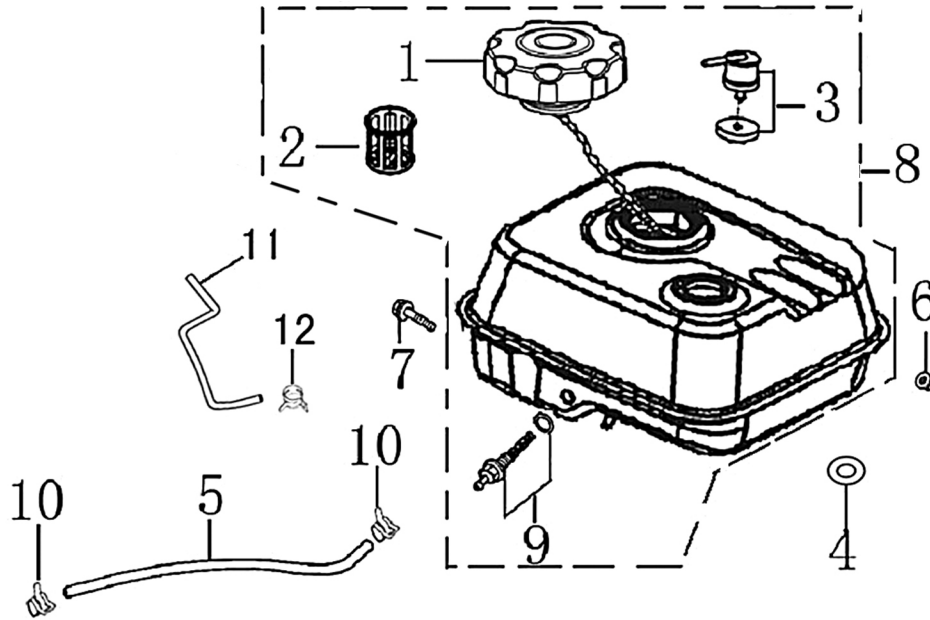
ITEM	PART NO.	QTY.	DESCRIPTION
1	0J88870124	1	AIR CLEANER ASSY
2	0J88870125	1	ELEMENT ASSY., AIR CLEANER
3	0G84420196	2	NUT , FLANGE , 6MM

Muffler



ITEM	PART NO.	QTY.	DESCRIPTION
1	0J88870126	1	MUFFLER ASSY.
2	0J35220161	2	NUT, HEX.
3	0J35220144	1	GASKET, MUFFLER

Fuel Tank



ITEM	PART NO.	QTY.	DESCRIPTION
1	0J88870127	1	CAP, FUEL FILLER
2	0J35220133	1	FILTER, FUEL
3	0J88870128	1	ROV
4	0J35220171	2	WASHER, RUBBER
5	0G9757D	1	HOSE, FUEL, (165MM)
6	0G84420272	2	NUT, FLANGE, 6MM
7	0G84420268	1	BOLT, FLANGE, 6x25
8	0K10430122	1	TANK COMP., FUEL
9	0J35220132	1	JOINT ASSY., FUEL TANK
10	0J88870130	2	CLAMP/COLLAR
11	0J88870131	1	HOSE, ROV FORMED
12	0J88870132	1	CLAMP

212cc ENGINE



