

GENERAC®



PARTS LIST FOR *0062290*

Engine Oil Grade:	SAE 10W-30
Engine Oil Capacity:	40.5 oz.
Pump Oil Grade:	15w20 Detergent
Pump Oil Capacity:	15 oz.
Nozzle Size:	4.0

This Parts Listing has been compiled for your benefit. You can be assured your new Cold Water Power Washer was constructed and designed with quality and performance in mind. Each component has been rigorously tested to insure the highest level of acceptance.

The contents of this Parts Listing are based on the latest product information available at the time of publication. Generac reserves the right to make changes in price, color, materials, equipment, specifications or models at any time without notice.

WARNING

THIS IS A PROFESSIONAL HIGH PRESSURE, COLD WATER POWER WASHER. CAUTION SHOULD BE OBSERVED WHEN USING OR REPAIRING THIS UNIT! READ AND FOLLOW THE SAFETY WARNINGS LISTED BELOW BEFORE ATTEMPTING ANY REPAIRS ON THIS POWER WASHER!

SAFETY WARNINGS

1. NEVER alter or modify the equipment. Be sure any accessory items and system components being used will withstand the pressure developed. Use only genuine manufacturer parts for repair of your power washer. Failure to do so can cause hazardous operating conditions and will VOID warranty.
2. NEVER make adjustments on machinery while the unit is connected to the engine without first removing the ignition cables from the spark plugs. Turning over the machinery by hand during adjustment or cleaning might start the machinery, causing serious injury to the operator.
3. Know how to stop and bleed pressures quickly. Be thoroughly familiar with controls.
4. Before servicing the unit, turn unit off, relieve the water pressure and allow the unit to cool down. Do not make repairs while the unit is running. Service in a clean, dry, flat area.
5. After testing the machine, DO NOT leave the pressurized unit unattended. Shut off the unit and release trapped pressure before leaving.

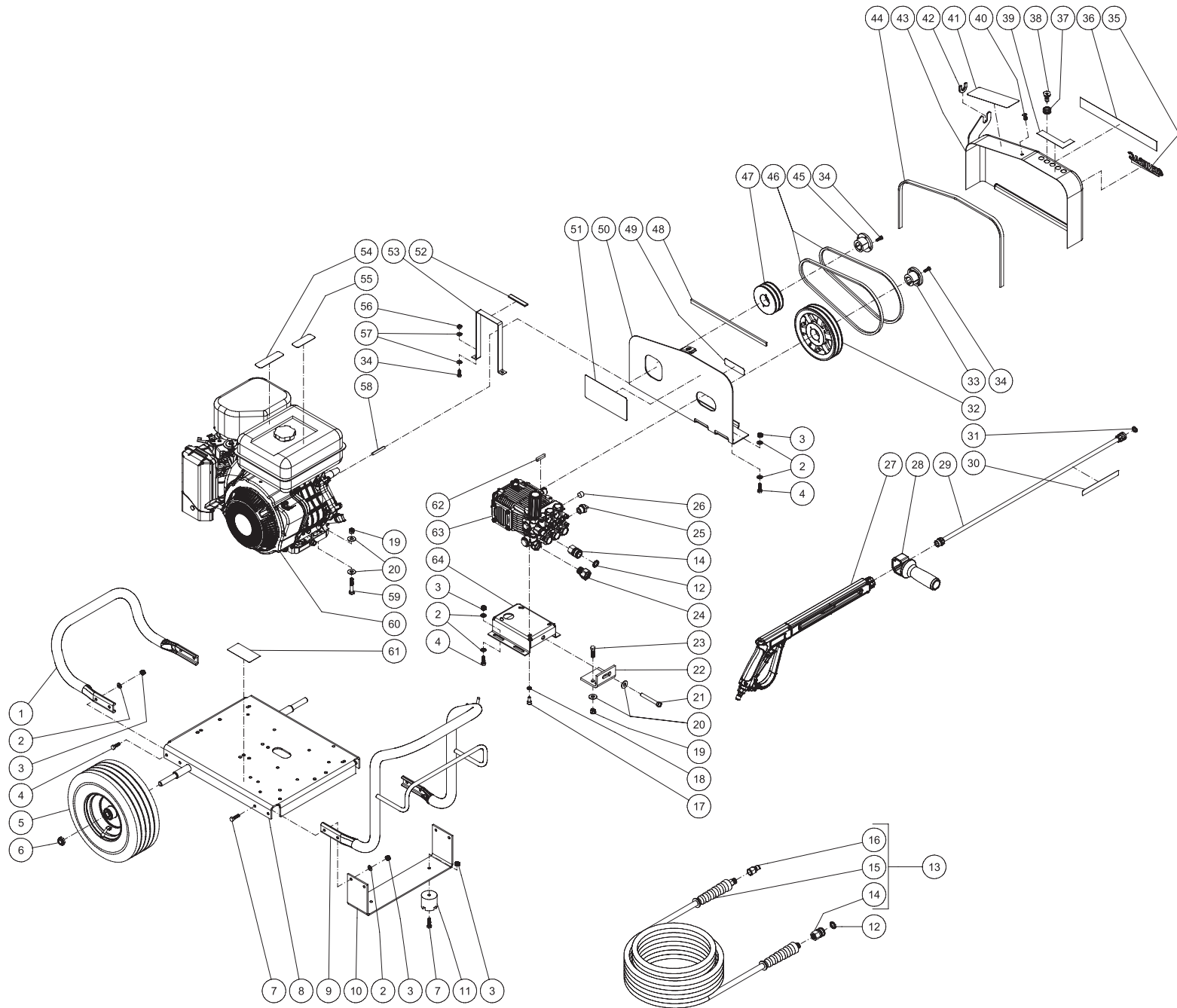
Table of Contents

SPECIFICATIONS.....	3
FRAME ASSEMBLY	4

SPECIFICATIONS

MODEL NUMBER	0062290
Operating Pressure (PSI/Bar):	3500/241
High Pressure Nozzle:	4.0
Water Volume (GPM/lpm):	3.7/14.0
Engine:	Subaru
Model	EX40
Engine Type	4 Stroke, Overhead Cam, Single Cylinder
Oil Type	SAE 10W 30
Oil Capacity (oz./liters)	40.5/1.2
Low Oil Protection	Oil Sensor
Fuel Type	Unleaded Gasoline 86 Octane Minimum
Fuel Capacity (gallon/ liters)	1.85/7.0
Starting	Recoil
Maximum No Load RPM	3600
Pump:	Belt Driven, Oil Bath, Triplex Piston
Oil Type	15w20 Detergent
Oil Capacity (oz./liters)	15/.44
Plungers	Ceramic
Manifold	Forged Brass
Valves	Stainless Steel
Unloader	Adjustable
Thermal Relief Valve	Relieves heated water during unloader bypass stage
Unit Net Weight (lbs/kg)	204/92.5
Unit Shipping Weight (lbs/kg)	245/111.1
Unit Net Dimension (in/cm)	39.5L x 28.5W x 26H/100L x 72W x 66H
Unit Shipping Dimension (in/cm)	48L x 30W x 34H/122L x 76W x 86H

FRAME ASSEMBLY



JCW-3504-OGAR-062512

FRAME ASSEMBLY							
ITEM	DESCRIPTION	PART #	QTY	ITEM	DESCRIPTION	PART #	QTY
1	HANDLE	OJ8497	1	35	DECAL	OJ7936	1
2	WASHER	OJ8528	22	36	DECAL - GENERAC PSI 3500	OJ8612	1
3	LOCKNUT	OJ8533	17	37	GROMMET	OJ8535	5
4	BOLT	OJ8519	11	38	NOZZLE 00040 QC	OJ8575	1
5	WHEEL	OJ8506	2	-	NOZZLE 15040 QC	OJ8576	1
6	LOCKNUT	OJ8531	2	-	NOZZLE 25040 QC	OJ8577	1
7	BOLT	OJ8520	6	-	NOZZLE 40040 QC	OJ8578	1
8	BASEPLATE	OJ8493	1	39	DECAL - NOZZLE	OJ7978	1
9	HANDLE	OJ8498	1	40	FASTENER	OJ8537	1
10	UNDERBRACKET	OJ8505	1	41	DECAL - OPERATION (SEE OJ8062)	-	1
11	ISOLATOR	OJ8507	2	42	EDGING *(QUANTITY PER FOOT)	OJ8536	1
12	O-RING	OJ8722	2	43	BELTGUARD COVER	OJ8496	1
13	HOSE ASSEMBLY	OJ8548	1	44	EDGING *(QUANTITY PER FOOT)	OJ8536	3
14	QC SOCKET	OJ8508	2	45	BUSHING	OJ8499	1
15	HOSE	OJ8997	1	46	BELT	OJ8503	2
16	QUICK CONNECT	OJ8998	1	47	SHEAVE	OJ8572	1
17	BOLT	OJ8526	4	48	EDGING *(QUANTITY PER FOOT)	OJ8536	2
18	LOCKWASHER	OJ8530	4	49	DECAL - WARNING (SEE OJ8062)	-	1
19	LOCKNUT	OJ8534	6	50	BELTGUARD BACK	OJ8495	1
20	WASHER	OJ8529	11	51	DECAL - WARNING (SEE OJ8062)	-	1
21	BOLT	OJ8525	1	52	EDGING *(QUANTITY PER FOOT)	OJ8536	1
22	TIGHTENER BRACKET	OJ8504	1	53	FINGER GUARD	OJ8494	1
23	BOLT	OJ8522	2	54	DECAL - RISK OF BURNS (SEE OJ8062)	-	1
24	SWIVEL	OJ8516	1	55	DECAL - RISK OF FIRE (SEE OJ8062)	-	1
25	RELIEF VALVE	OJ8514	1	56	LOCKNUT	OJ8532	2
26	PLUG	OJ8517	1	57	WASHER	OJ8527	4
27	GUN	OJ7554	1	58	KEY	OJ8547	1
28	AUX HANDLE	OJ1052	1	59	BOLT	OJ8524	4
29	WAND	OJ8574	1	60	ENGINE-ROBIN	OJ8550	1
30	DECAL - RISK OF INJECTION (SEE OJ8062)	-	1	61	DECAL- SILVER STICKER	-	1
31	O-RING	OJ8999	1	62	PUMP KEY	SEE PUMP EV	1
32	SHEAVE	OJ8502	1	63	PUMP	OJ8491	1
33	BUSHING	OJ8500	1	64	PUMP BRACKET	OJ8492	1
34	BOLT	OJ8518	6	-	DECAL SET	OJ8062	1

*(MUST ORDER IN ONE FOOT LENGTHS)

