



Illustrated Parts List

Model Series

9L900

TYPE NUMBERS
0131 through 0620.

TABLE OF CONTENTS

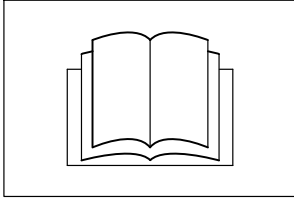
Air Cleaner	5
Blower Housing/Shrouds	6
Brake	6
Camshaft	3
Carburetor	4
Controls	5
Crankcase Cover/Sump	3
Crankshaft	3
Cylinder	2
Cylinder Head	2
Exhaust System	5
Flywheel	6
Fuel Supply	4
Gasket Set - Engine	2
Gasket Set - Valve	2
Governor Spring	5
Ignition	5
Lubrication	2
Operator's Manual	2
Piston/Rings/Connecting Rod	3
Rewind Starter	6
Warning Label	2

PRINTED IN U.S.A.

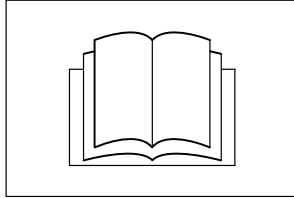


COPYRIGHT by BRIGGS & STRATTON CORPORATION
All rights reserved. No part of this material may be reproduced or transmitted, in any form or by any means, electronic or mechanical, including photocopying, recording or by any information storage and retrieval system, without permission in writing from Briggs & Stratton Corporation.

1058 OPERATOR'S MANUAL



1330 REPAIR MANUAL

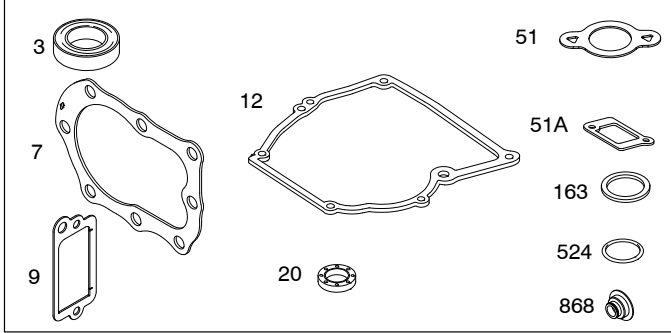


1319 WARNING LABEL

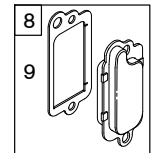
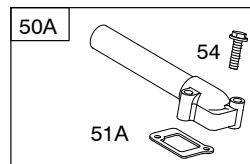
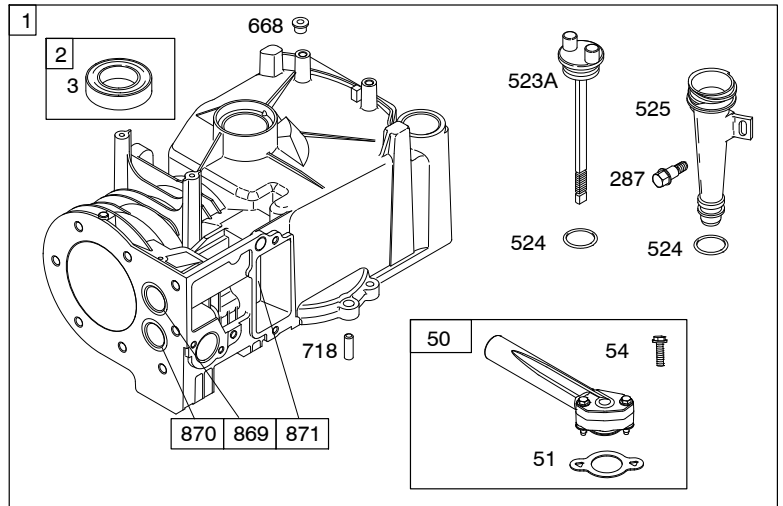
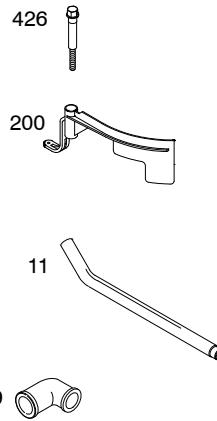
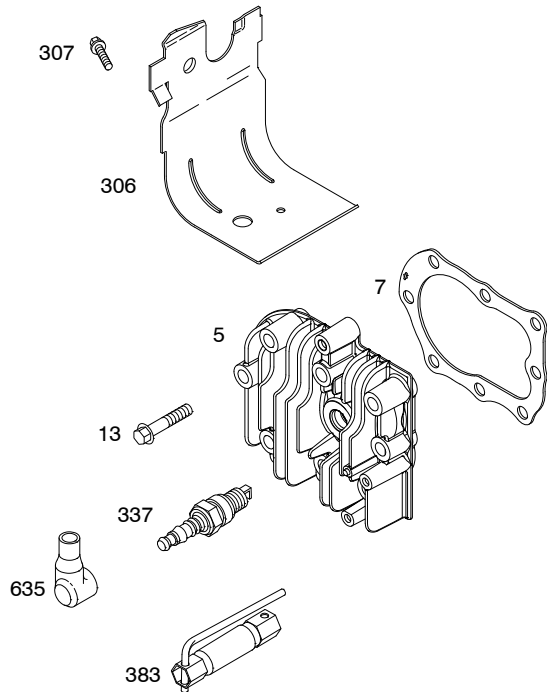
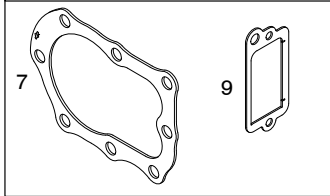
WARNING	
	Read and follow Operating instructions before running engine.
	Gasoline is flammable. Allow engine to cool at least 2 minutes before refueling.
	Engines emit carbon monoxide, DO NOT run in enclosed area.
	Muffler area temperature may exceed 150°F. Do not touch hot parts.

REQUIRED when replacing parts with warning labels affixed.

358 ENGINE GASKET SET

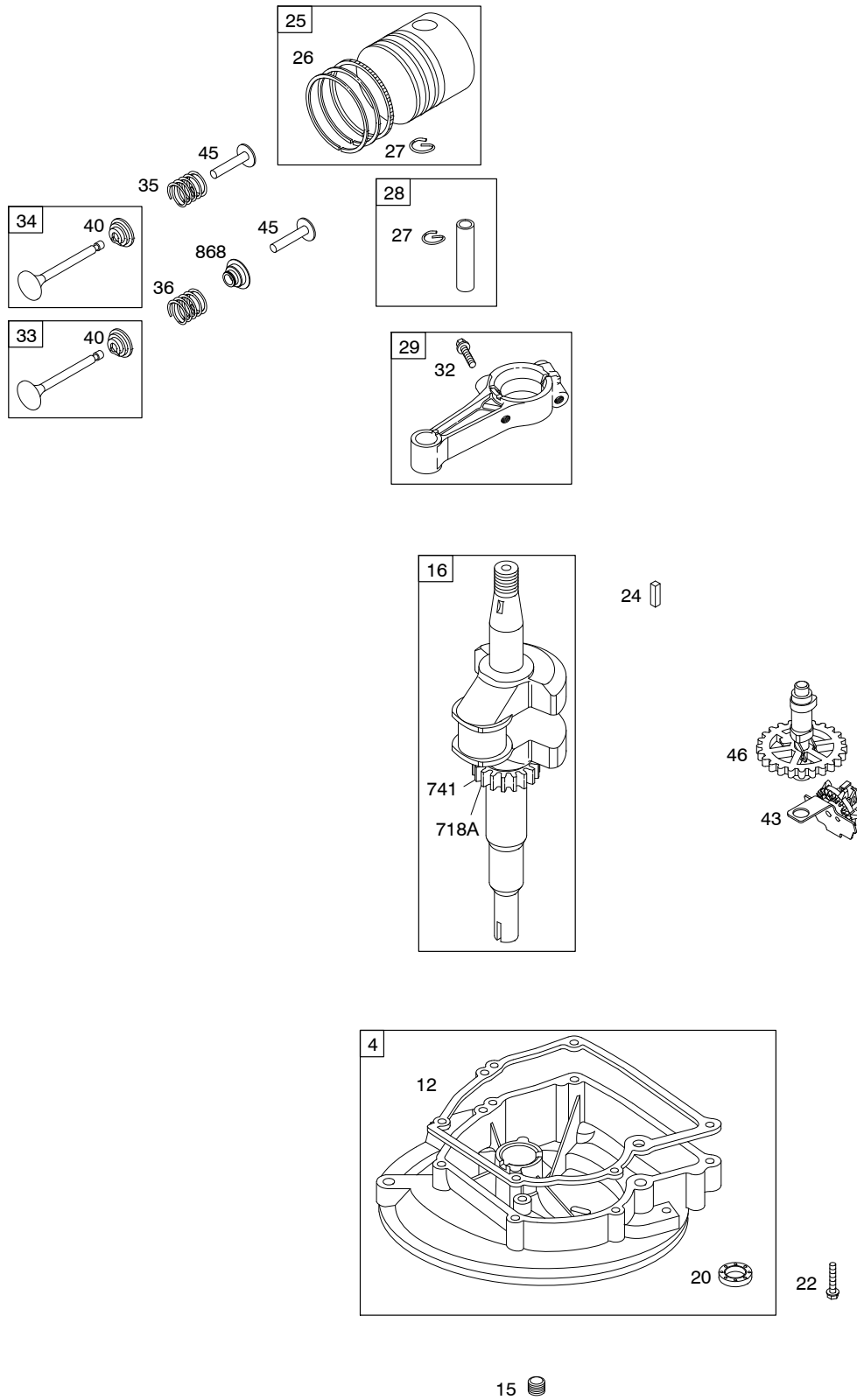


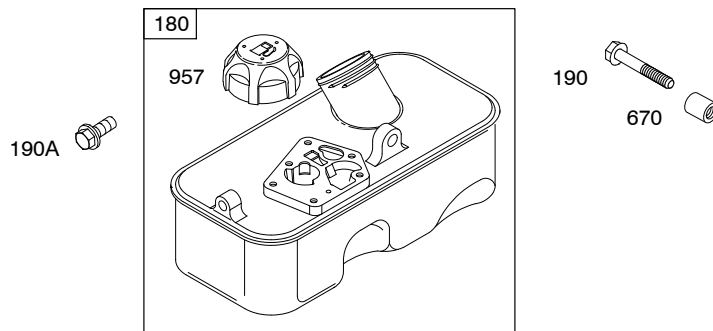
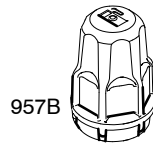
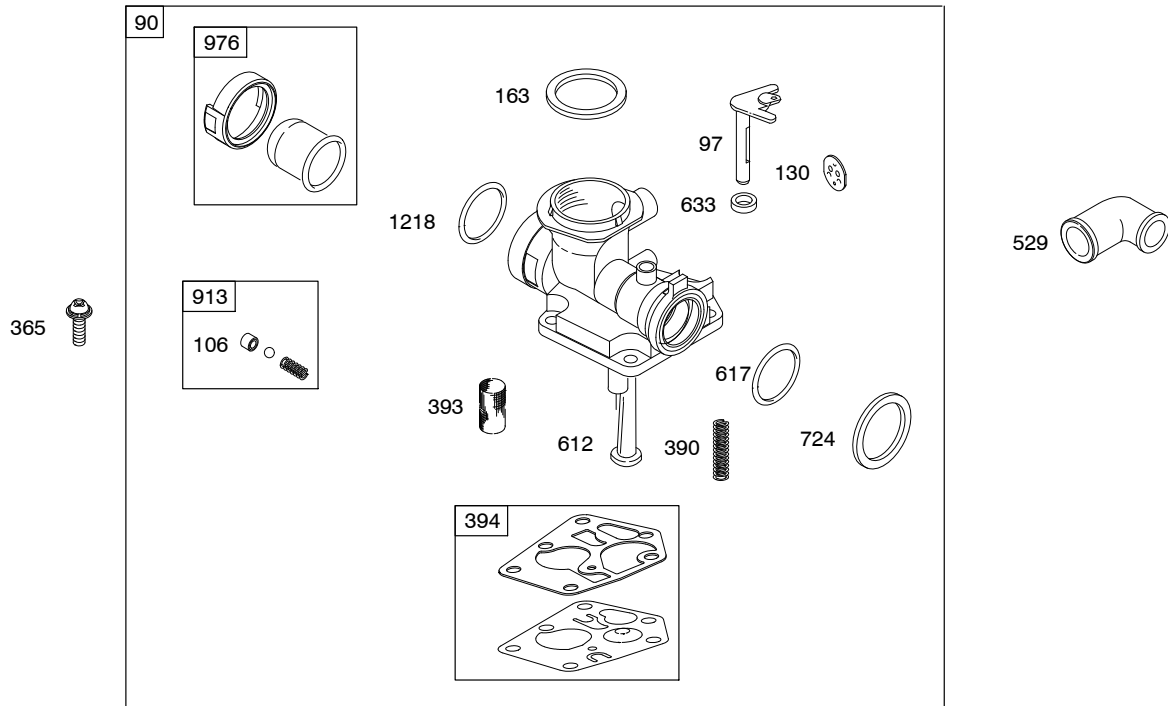
1095 VALVE GASKET SET

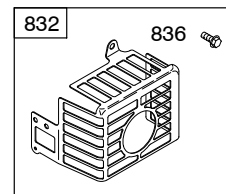
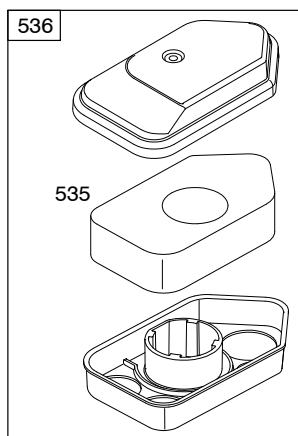
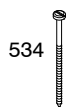
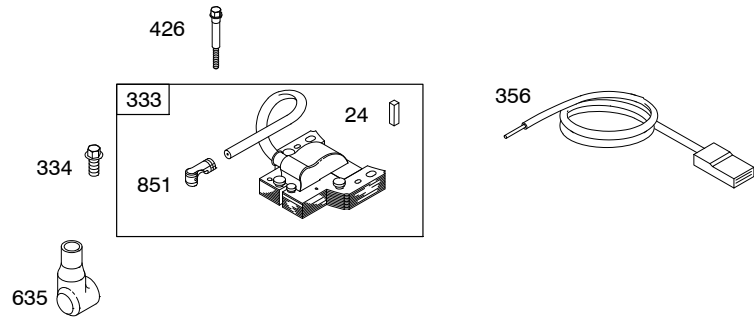
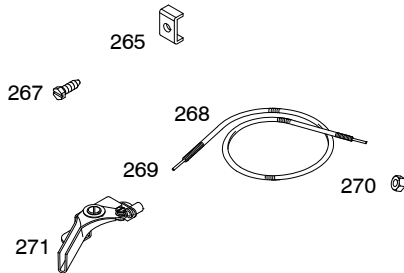
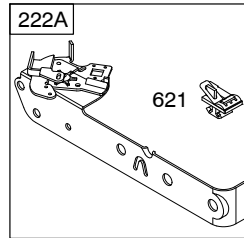
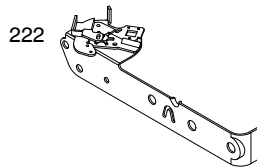
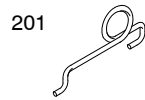


10

Illustrations cover a range of engines. Parts shown without corresponding text may not be used on your specific engine.
 5739-2 Assemblies include all parts shown in frames. 07/08/2008

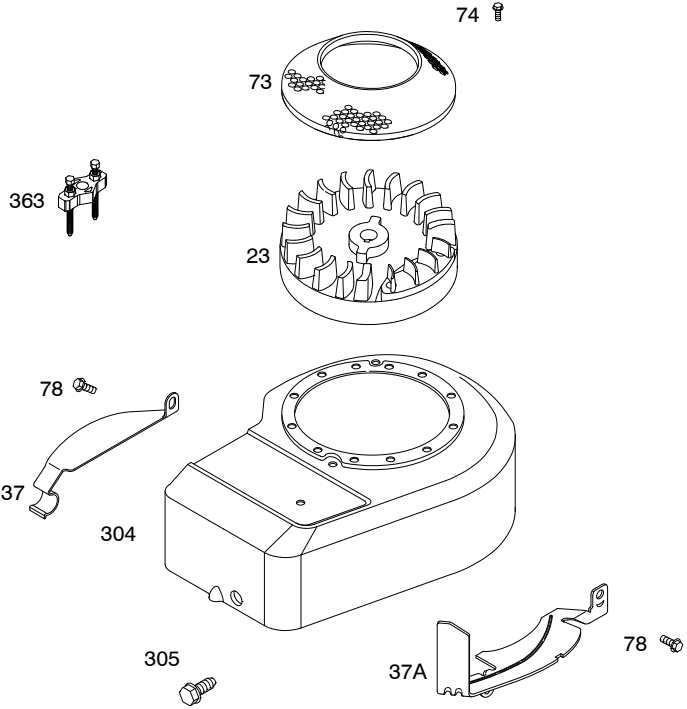
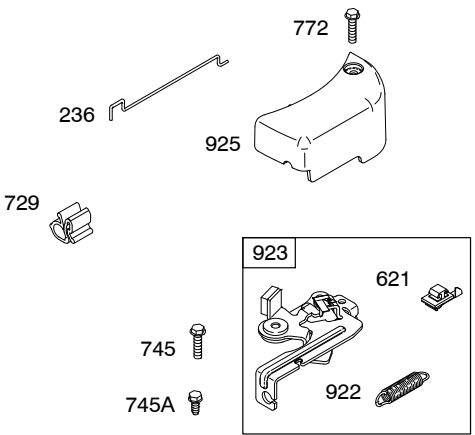
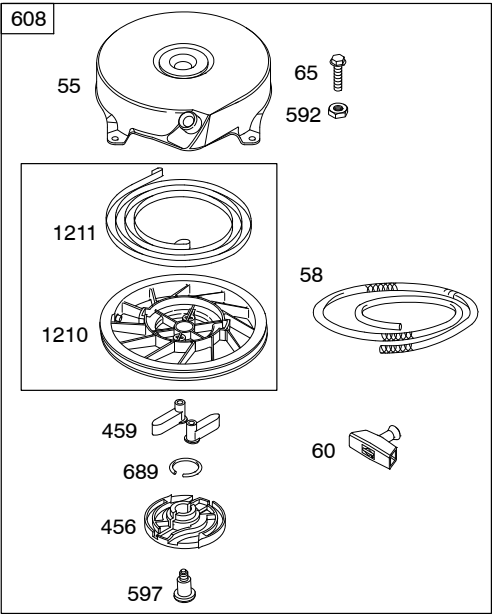






Illustrations cover a range of engines. Parts shown without corresponding text may not be used on your specific engine.
5739-5 Assemblies include all parts shown in frames. 07/08/2008

1036 EMISSIONS LABEL



Illustrations cover a range of engines. Parts shown without corresponding text may not be used on your specific engine.
 5739-6 Assemblies include all parts shown in frames. 07/08/2008

REF. NO.	PART NO.	DESCRIPTION	REF. NO.	PART NO.	DESCRIPTION	REF. NO.	PART NO.	DESCRIPTION
1	699653	Cylinder Assembly	23	795549	Flywheel	26	790909	Ring Set
2	399269	Kit-Bushing/Seal (Magneto Side)			Used on Type No(s). 0213, 0221, 0245, 0283, 0284, 0305, 0356, 0359, 0620.			(Standard) (Used After Code Date 04111400).
3	★299819S	Seal-Oil (Magneto Side)			----- Note -----			----- Note -----
4	698691	Sump-Engine			795695 Flywheel			699658 Ring Set
5	790169	Head-Cylinder			(Used After Code Date 08012900).			(Standard) (Used After Code Date 030803000 and Before Code Date 04111500).
7	★△698717	Gasket-Cylinder Head			Used on Type No(s). 0132.			498680 Ring Set
8	791781	Breather Assembly			690843 Flywheel			(Standard) (Used After Code Date 96020500 and Before Code Date 03080400).
9	★△695890	Gasket-Breather			(Used Before Code Date 08013000).			
10	691666	Screw (Breather Assembly)			Used on Type No(s). 0132.			
11	691245	Tube-Breather			690843 Flywheel			795134 Ring Set
12	★692218	Gasket-Crankcase (.015" Thick) (Standard) ----- Note -----			Used on Type No(s). 0131.			(.020" Oversize) (Used After Code Date 04111400).
		★270895 Gasket- Crankcase (.005" Thick)	24	222698S	Key-Flywheel			498682 Ring Set
		★270896 Gasket- Crankcase (.009" Thick)	25	790908	Piston Assembly (Standard) (Used After Code Date 04111400).			(.020" Oversize) (Used Before Code Date 04111500).
13	691640	Screw (Cylinder Head)			----- Note -----			
15	691680	Plug-Oil Drain			699657 Piston Assembly (Standard) (Used After Code Date 030803000 and Before Code Date 04111500).	27	691588	Lock-Piston Pin
16	692991	Crankshaft Used on Type No(s). 0131, 0132, 0213, 0221, 0245, 0284. ----- Note -----			790908 Piston Assembly (Standard) (Used After Code Date 96020500 and Before Code Date 03080400).	28	699659	Pin-Piston (Standard) (Used After Code Date 03080300).
		492086 Crankshaft Used on Type No(s). 0356, 0620.			792532 Piston Assembly (.020" Oversize)			----- Note -----
		692990 Crankshaft Used on Type No(s). 0283, 0305, 0359.						298909 Pin-Piston (Standard) (Used Before Code Date 03080400).
20	★391483S	Seal-Oil (PTO Side)				29	699655	Rod-Connecting (Standard)
22	692551	Screw (Crankcase Cover/Sump)				32	691664	Screw (Connecting Rod)
						33	296676	Valve-Exhaust
						34	296677	Valve-Intake
						35	690520	Spring-Valve (Intake)
						36	690520	Spring-Valve (Exhaust)

★ Engine Gasket Set-Reference 358

△ Valve Gasket Set-Reference 1095

Illustrations cover a range of engines. Parts shown without corresponding text may not be used on your specific engine.
5739-7 Assemblies include all parts shown in frames. 07/08/2008

9L900

REF. NO.	PART NO.	DESCRIPTION	REF. NO.	PART NO.	DESCRIPTION	REF. NO.	PART NO.	DESCRIPTION
37	690482	Guard-Flywheel (Carburetor Side)	190	691640	Screw (Fuel Tank) (To Cylinder)	269	691026	Wire-Control (Cut to Required Length)
37A	691209	Guard-Flywheel (Muffler Side)	190A	691108	Screw (Fuel Tank) (9/16" Long)	270	691027	Nut (Control Wire Casing)
40	692194	Retainer-Valve	200	691912	Blade-Governor	271	691028	Lever-Control
43	698690	Slinger-Governor/Oil	201	690347	Link-Air Vane	287	691002	Screw (Dipstick Tube)
45	691762	Tappet-Valve	209	691297	Spring-Governor (White) Used on Type No(s). 0213, 0221, 0283, 0284.	300	394569S	Muffler (Round Lo Tone)
46	691998	Camshaft				304	691484	Housing-Blower (Compliance Engines) Used on Type No(s). 0213, 0221, 0245, 0283, 0284, 0305, 0356, 0359, 0620. ----- Note -----
50	699644	Manifold-Intake (Used After Code Date 03080300).						
50A	693446	Manifold-Intake (Used Before Code Date 03080400).						
51	★699649	Gasket-Intake (Used After Code Date 03080300).						
51A	270345S	Gasket-Intake (Used Before Code Date 03080400).						
54	691111	Screw (Intake Manifold)						
55	692144	Housing-Rewind Starter						
58	697316	Rope-Starter (88 5/8" Long) Used on Type No(s). 0213, 0221, 0245, 0283, 0284, 0305, 0356, 0359, 0620. ----- Note -----						
60	691915	Grip-Starter Rope	211	691859	Spring-Governed Idle	305	692198	Screw (Blower Housing)
65	690837	Screw (Rewind Starter)	222	691446	Bracket-Control Used on Type No(s). 0213, 0221, 0245, 0283, 0284, 0305, 0356, 0359, 0620.	306	690400	Shield-Heat
73	699850	Screen-Rotating	222A	691445	Bracket-Control Used on Type No(s). 0131, 0132.	307	690345	Screw (Heat Shield)
74	690345	Screw (Rotating Screen)	236	691867	Link-Lockout	332	690662	Nut (Flywheel)
78	692198	Screw (Flywheel Guard)	265	692179	Clamp-Casing	333	793281	Armature-Magneto
90	794161	Carburetor	267	691044	Screw (Casing Clamp)	334	691061	Screw (Magneto Armature)
97	691931	Shaft-Throttle	268	691025	Casing-Control Wire (Cut to Required Length)	337	802592S	Plug-Spark
106	691901	Seat-Inlet				356	692390	Wire-Stop
130	691190	Valve-Throttle				358	794209	Gasket Set-Engine
163	★271139S	Gasket-Air Cleaner				363	19069	Puller-Flywheel
180	494406	Tank-Fuel				365	790029	Screw (Carburetor)
188	692198	Screw (Control Bracket)				383	89838S	Wrench-Spark Plug
						390	691839	Spring-Choke Diaphragm
						393	691837	Screen-Carburetor
						394	795083	Diaphragm-Carburetor (Used After Code Date 07080800). ----- Note -----
								495770 Diaphragm- Carburetor (Used Before Code Date 07080900).

★ Engine Gasket Set-Reference 358

△ Valve Gasket Set-Reference 1095

Illustrations cover a range of engines. Parts shown without corresponding text may not be used on your specific engine.
5739-8 Assemblies include all parts shown in frames. 07/08/2008

REF. NO.	PART NO.	DESCRIPTION	REF. NO.	PART NO.	DESCRIPTION	REF. NO.	PART NO.	DESCRIPTION
426	691107	Screw (Governor Blade)	718A	499047	Pin-Locating (Crankshaft)	871	699643	Bushing-Valve Guide (Exhaust Valve)
455	691236	Cup-Flywheel	724	697478	Retainer-Seal			(Used After Code Date 03080300).
456	692299	Plate-Pawl Friction	729	690586	Clip-Wire			----- Note -----
459	281505S	Pawl-Ratchet	741	691805	Gear-Timing			231348 Bushing-Valve
523A	691913	Dipstick	745	691146	Screw (Brake) (7/8" Long)			Guide (Exhaust Valve)
524	★691876	Seal-Dipstick Tube						(Used Before Code Date 03080400).
525	691320	Tube-Dipstick	745A	690859	Screw (Brake) (1/2" Long)			63709 Bushing-Valve
529	692189	Grommet						Guide (Intake Valve)
534	691417	Screw (Air Cleaner)	772	691111	Screw (Linkage Cover)			
535	698369	Filter-Air Cleaner Foam	832	699670	Guard-Muffler Used on Type No(s). 0131, 0132, 0245.	913	494409	Seat-Check Valve
536	698472	Cleaner-Air				922	692135	Spring-Brake
592	690800	Nut (Rewind Starter)	836	690664	Screw (Muffler Guard) Used on Type No(s). 0131, 0132, 0245.	923	691487	Brake
597	691696	Screw (Pawl Friction Plate)				925	691349	Cover-Linkage
608	499706	Starter-Rewind (88 5/8" Rope) Used on Type No(s). 0213, 0221, 0245, 0283, 0284, 0305, 0356, 0359, 0620.	851	493880S	Terminal-Spark Plug	957	497929S	Cap-Fuel Tank Used on Type No(s). 0213, 0221, 0245, 0283, 0284, 0305, 0356, 0359, 0620.
		----- Note -----	868	697338	Seal-Valve			
		690101 Starter- Rewind (70" Rope) Used on Type No(s). 0131, 0132.	869	699641	Seat-Valve (Intake) (Used After Code Date 03080300).	957A	791129	Cap-Fuel Tank Used on Type No(s). 0131, 0132.
612	496046S	Tube-Pick Up				957B	792878	Cap-Fuel Tank
617	270344S	Seal-O Ring (Intake Manifold)	870	699642	Seat-Valve (Exhaust) (Used After Code Date 03080300).	976	694394	Primer-Carburetor
621	692310	Switch-Stop				1036		Label-Emissions (Available From A Briggs & Stratton Authorized Dealer)
633	691321	Seal-Choke/Throttle Shaft (Throttle)				1058	277038	Operator's Manual
635	66538S	Boot-Spark Plug				1095	498526	Gasket Set-Valve
668	692889	Spacer (Cylinder)				1210	499901	Pulley/Spring Assembly (Pulley)
670	691633	Spacer-Fuel Tank				1211	499901	Pulley/Spring Assembly (Spring)
689	691855	Spring-Friction				1218	695866	Seal-O Ring (Carburetor)
718	690959	Pin-Locating (Cylinder)				1319	794467	Label-Warning
						1330	270962	Repair Manual

★ Engine Gasket Set-Reference 358

△ Valve Gasket Set-Reference 1095

Illustrations cover a range of engines. Parts shown without corresponding text may not be used on your specific engine.
5739-9 Assemblies include all parts shown in frames. 07/08/2008