

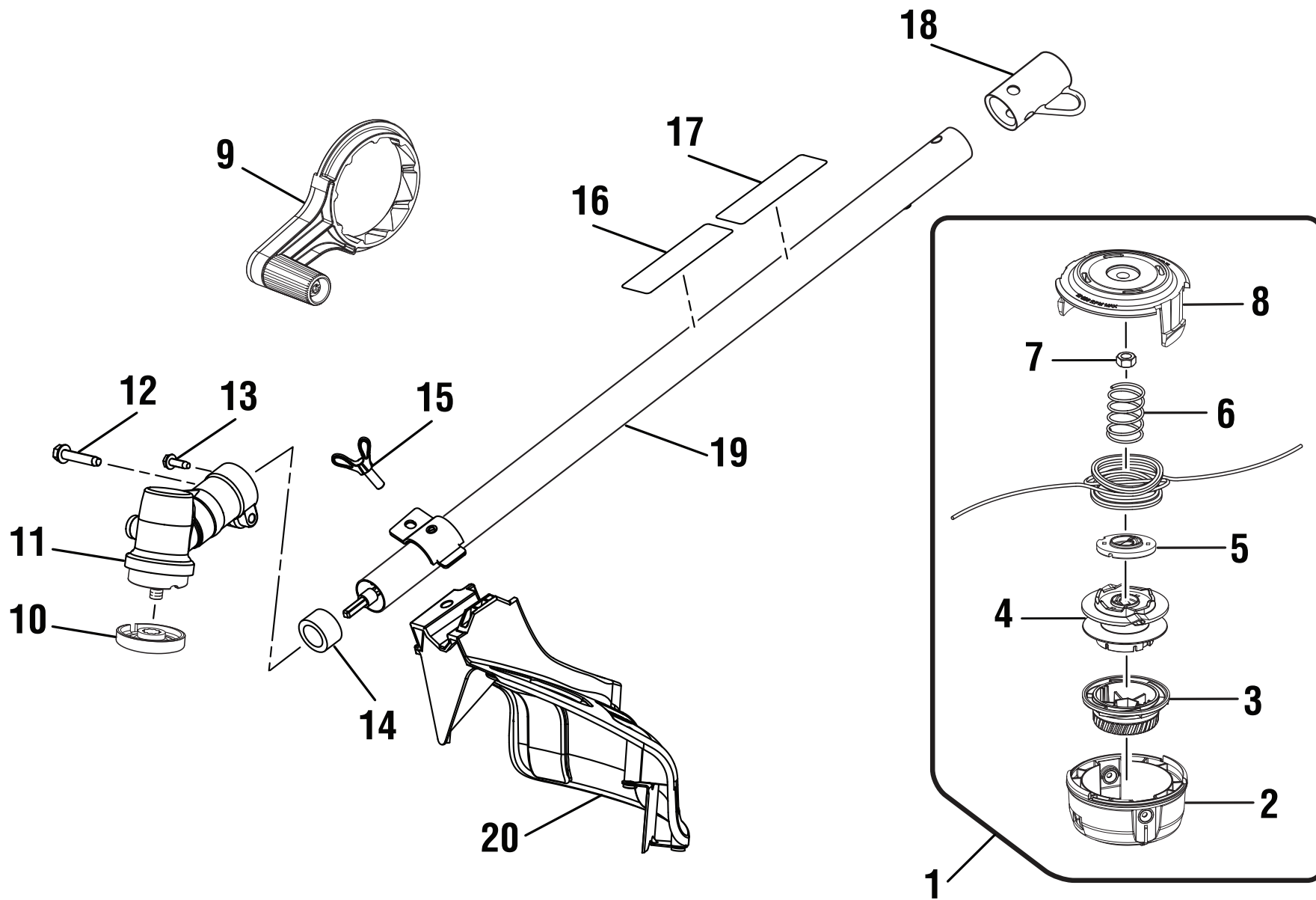
**RYOBI  
EXPAND-IT STRAIGHT SHAFT  
TRIMMER ATTACHMENT  
ITEM NO. RYSST44  
MFG. NO. 090110014  
REPAIR SHEET**

**ONE WORLD TECHNOLOGIES, INC.**

1428 Pearman Dairy Road, Anderson, SC 29625 • Phone 1-800-525-2579  
États-Unis, Téléphone 1-800-525-2579 • USA, Teléfono 1-800-525-2579

[www.ryobitools.com](http://www.ryobitools.com)

RYOBI EXPAND-IT TRIMMER ATTACHMENT - ITEM NUMBER RYSST44



## RYOBI EXPAND-IT TRIMMER ATTACHMENT – ITEM NUMBER RYSST44

The item number and manufacturing number can be found on a label attached to the unit. Always mention the item number and manufacturing number of your **STRAIGHT SHAFT TRIMMER ATTACHMENT** when requesting service or ordering repair parts.

### PARTS LIST

KEY NO.	PART NUMBER	DESCRIPTION	QTY
1	311759004	Trimmer Head Assembly (.095) (Inc. Key Nos. 2-8) .....	1
2	530366001	Lower Housing .....	1
3	530455002	Bump Knob (Green).....	1
4	530670001	Spool .....	1
5	529803001	String Guide.....	1
6	678749001	Compression Spring.....	1
7	695215001	Hex Nut (M8, L.H. Thread).....	1
8	530001001	Upper Housing .....	1
9	312283001	Crank Handle Assembly .....	1
10	678011001	Flanged Washer.....	1
11	308210009	Gear Case Assembly .....	1
12	660642001	Screw (1/4-20 x 1-1/4 in., Hex Washer Hd. S.T.) .....	1
13	660641001	Screw (10-24 x 5/8 in., Hex Washer Hd. S.T.) .....	1
14	518367001	Spacer .....	1
15	660886001	Wing Screw (1/4-20 x 7/8 in.).....	1
16	940726013	Expand-it Label .....	1
17	940657165	Warning Icon Label.....	1
18	518019002	Storage Hanger Cap.....	1
19	308035047	Straight Shaft Assembly (Inc. Key Nos. 16-18) .....	1
20	308473005	Grass Deflector Assembly (Inc. Key No. 15) .....	1
	<b>NOT SHOWN:</b>		
	995000172	Operator's Manual	
	4-26-17		
	(Rev:01)		