



Parts Manual

Mfg. No: 030641-00
7,500 Watt Briggs & Stratton

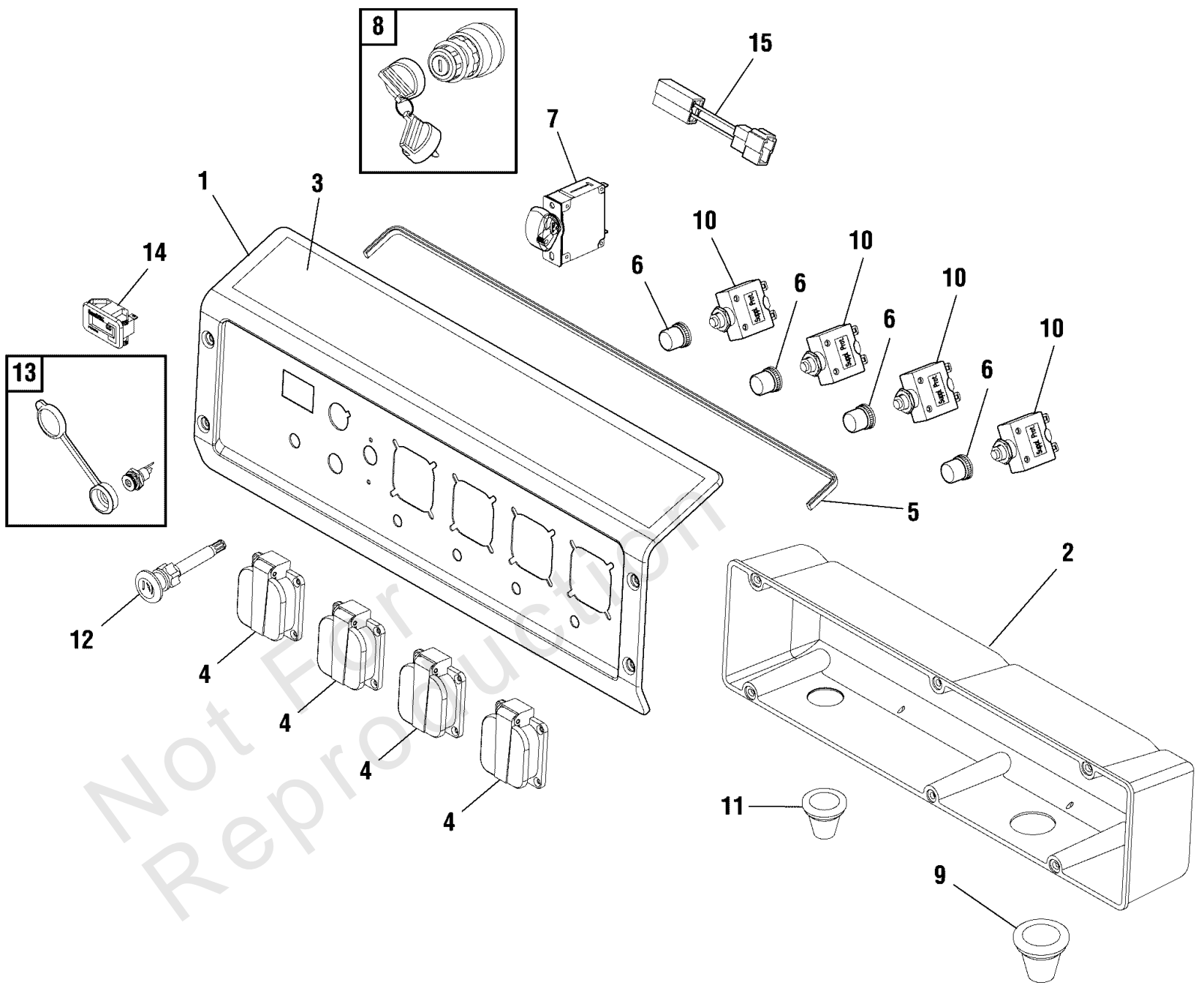
Model Components	Page
Control Panel (80011035).....	4
Main Unit (80011034).....	6
Wheel Kit (312167).....	10
Wiring Diagram (80011033).....	12
Wiring Schematic (80011033).....	14
Torque Specification Chart.....	16

Not For
Reproduction

Control Panel (80011035)

Note: Unless noted otherwise, use the standard torque specifications

Mfg. No: 030641-00



Control Panel (80011035)

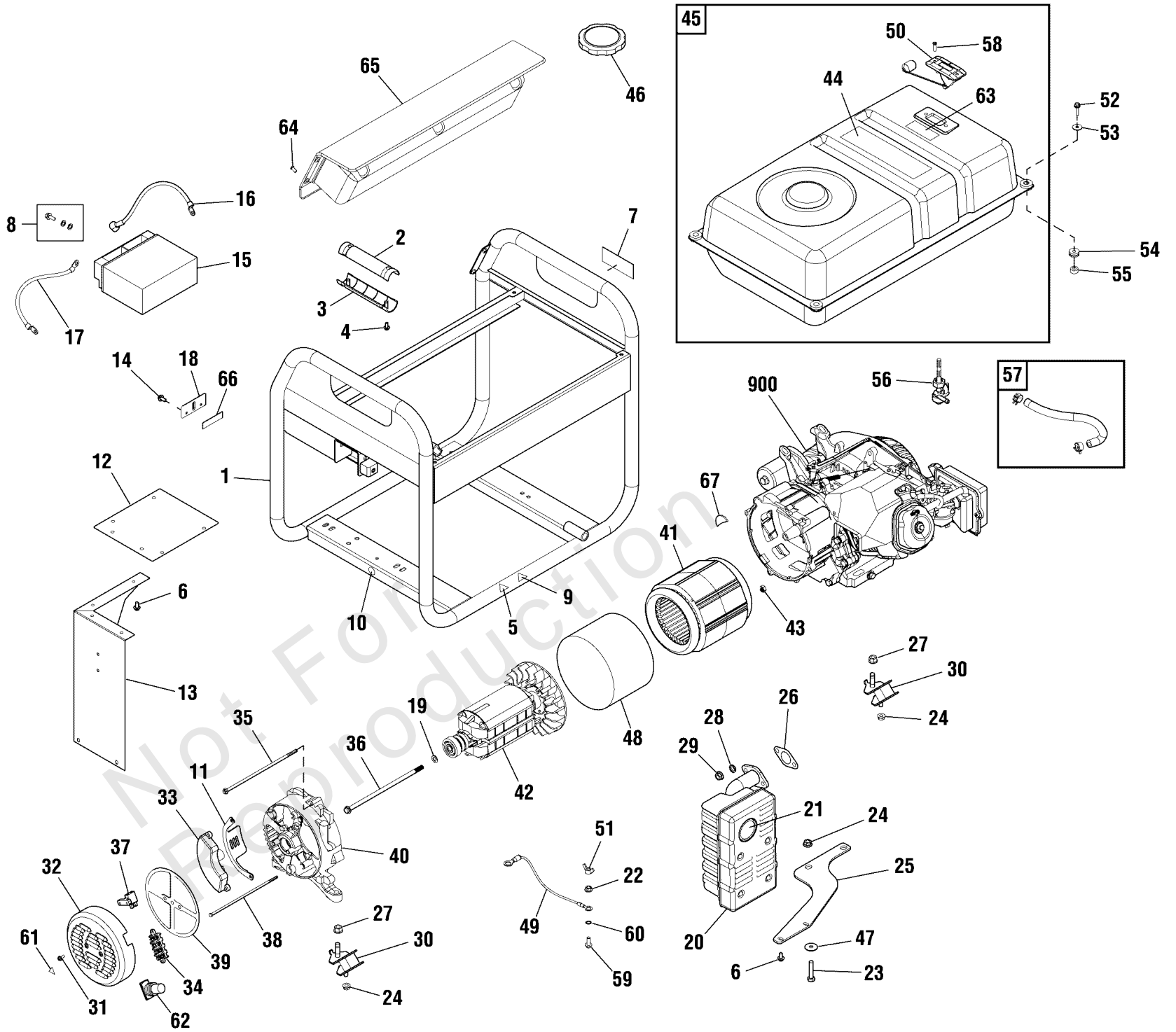
REF NO	PART NO	QTY	DESCRIPTION
1	706499		PANEL-CONTROL
2	319458GS		BOX-CONTROL PANEL
3	706156		DECAL
4	706409		SOCKET
5	319459GS		TRIM-EDGE
6	312636GS		BOOT-CIRCUIT BREAKER
7	706497		BREAKER-CIRCUIT
8	318307GS		KEYSWITCH
--	705436		KEY
9	319529GS		GROMMET
10	706404		BREAKER-CIRCUIT
11	319530GS		GROMMET
12	312034GS		CHOKE
13	704656		SOCKET-CHARGER
--	312687GS		RUBBER COVER
14	198245GS		HOUR METER
15	706498		DIODE

Not For
Reproduction

Main Unit (80011034)

Note: Unless noted otherwise, use the standard torque specifications

Mfg. No: 030641-00



Main Unit (80011034)

REF NO	PART NO	QTY	DESCRIPTION
1	706171		CRADLE
2	312008GS		GRIP-HANDLE
3	312009GS		GRIP-HANDLE
4	75477GS		SCREW
5	315634GS		DECAL
6	706152		SCREW
7	704330		DECAL
8	315546GS		KIT-HRDWR, BATTERY TERMINAL
9	315635GS		DECAL
10	704331		DECAL
11	706397		SHIELD
12	312020GS		HEATSHIELD
13	312019GS		HEATSHIELD
14	209775GS		BOLT
15	316435GS		BATTERY
16	312014GS		CABLE-BTTRY, RED
17	312026GS		CABLE-BTTRY, BLACK
18	311983GS		PLATE-BATTERY
19	207826GS		WASHER
20	192569GS		MUFFLER
21	83083GS		SCREEN
22	52857GS		NUT
23	311987GS		SCREW
24	67989GS		NUT
25	319457GS		BRACKET-MUFFLER
26	813085GS		GASKET
27	193747GS		NUT
28	-		* WASHER, Lock, 3/8
29	45771GS		NUT
30	312012GS		MOUNT-VIBRATION
31	207824GS		SCREW
32	209428GS		END COVER
33	706394		VOLTAGE REGULATOR
34	316945GS		TERMINAL BLOCK
35	312638GS		BOLT
36	704235		BOLT
37	207827GS		BRUSH ASSY
38	312640GS		BOLT
39	706398		GUARD-SCREEN
40	207838GS		CARRIER-BEARING
41	706507		STATOR
42	706508		ROTOR
43	207878GS		NUT
44	315637GS		DECAL
45	704666		TANK-FUEL
46	704655		CAP-FUEL
47	B2495GS		WASHER-FLAT M8
48	706168		BOND

Footnotes:

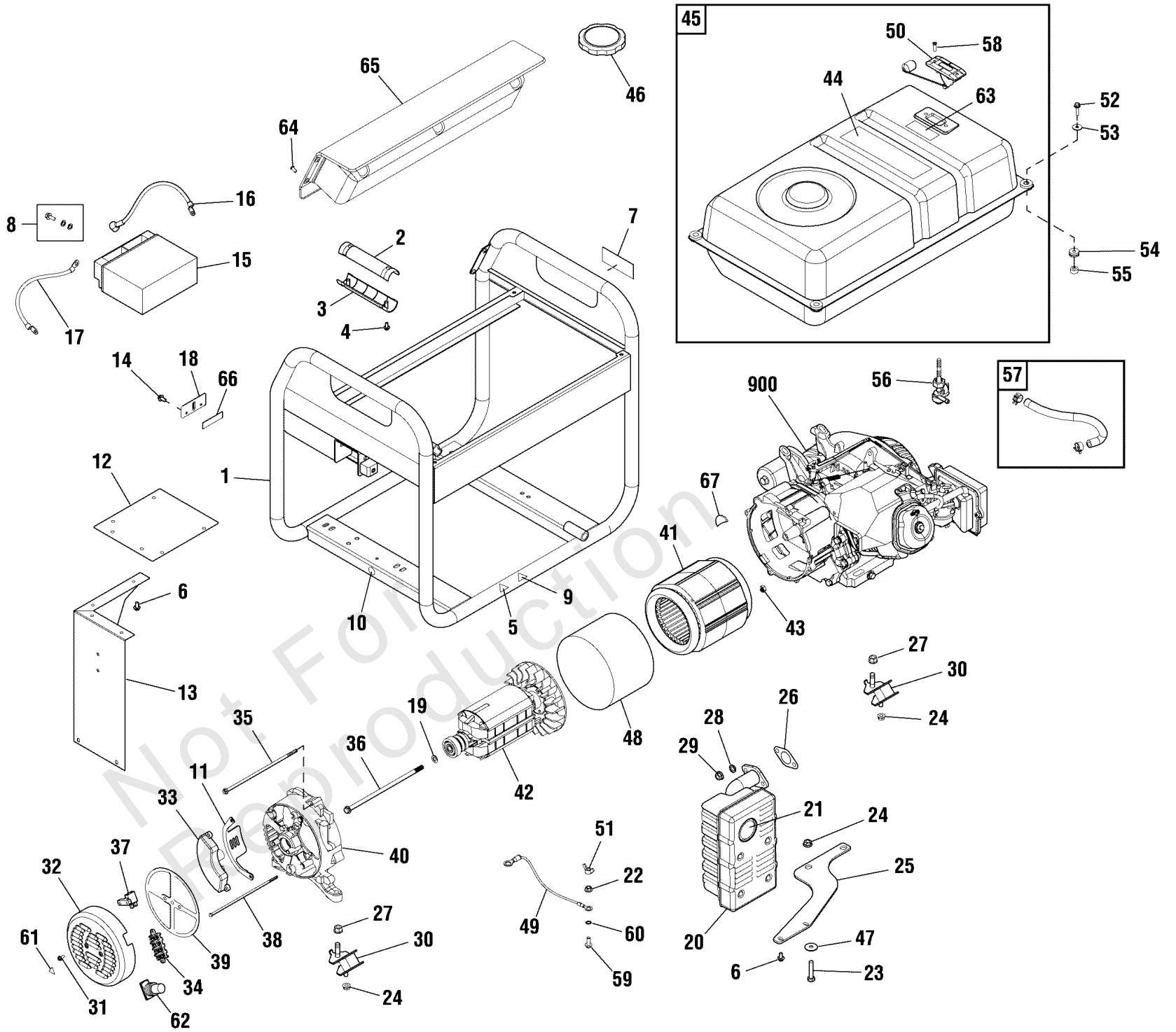
** Contact Engine Manufacturer for parts & service.

* Items without part numbers are common fasteners, available at local hardware stores.

Main Unit (80011034)

Note: Unless noted otherwise, use the standard torque specifications

Mfg. No: 030641-00



Main Unit (80011034)

REF NO	PART NO	QTY	DESCRIPTION
49	706165		WIRE
50	704183		GAUGE-FUEL
51	87680GS		NUT
52	703805		BOLT
53	312005GS		WASHER
54	189134GS		GROMMET
55	189137GS		SPACER
56	209417GS		VALVE-FUEL
57	791745		KIT-FUEL HOSE (cut to fit)
58	314440GS		SCREW
59	706166		SCREW
60	26850GS		WASHER
61	315636GS		DECAL
62	207879GS		BOOT
63	703264		DECAL
64	703804		BOLT
65	706500		CONTROL-PANEL
66	706377		PAD-RUBBER
67	706376		COVER-RUBBER
900	-		** ENGINE
--	316742GS		FUSE -(Not Illustrated)
--	706502		CHARGER-BATTERY -(Not Illustrated)

Footnotes:

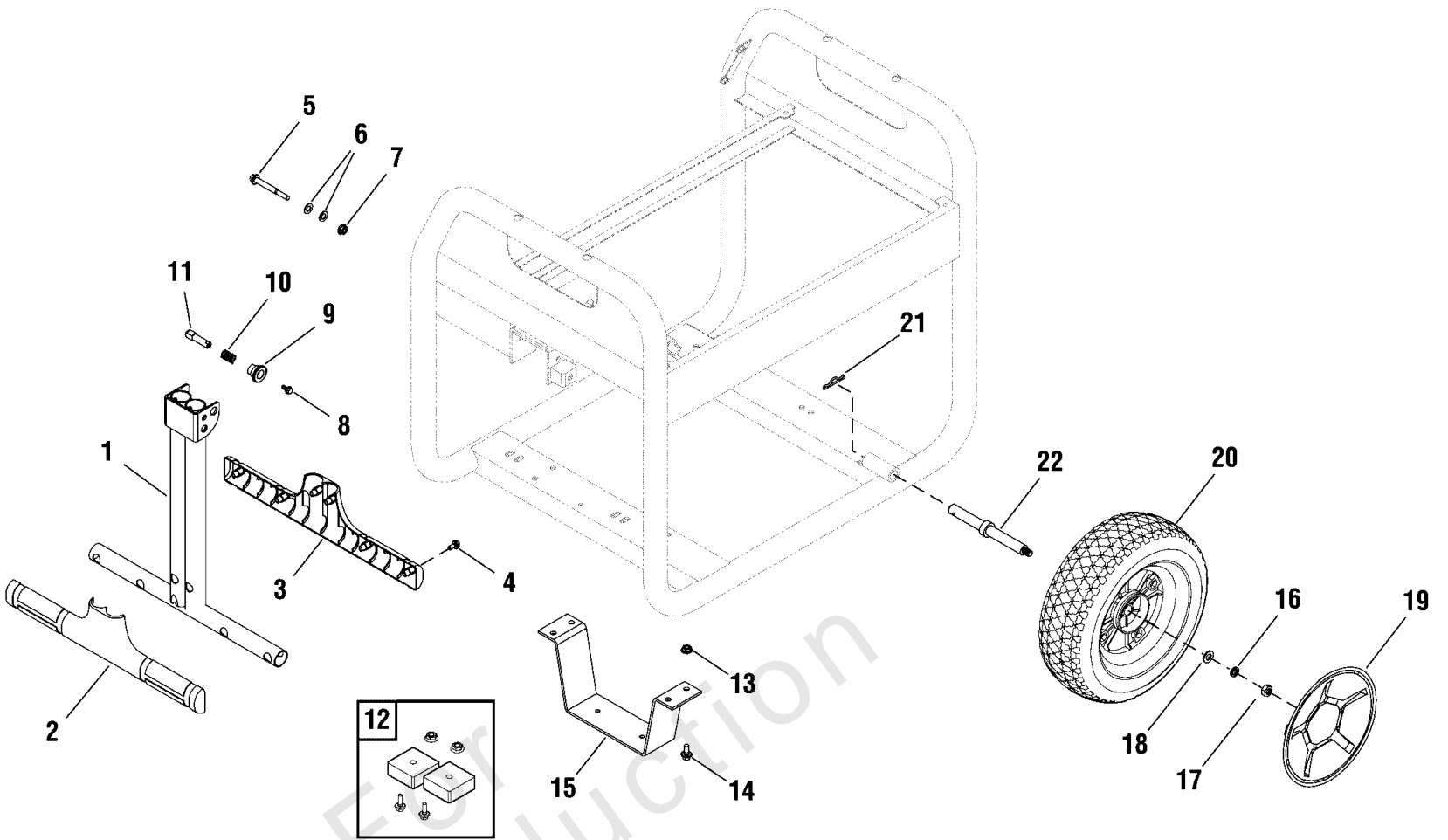
** Contact Engine Manufacturer for parts & service.

* Items without part numbers are common fasteners, available at local hardware stores.

Wheel Kit (312167)

Note: Unless noted otherwise, use the standard torque specifications

Mfg. No: 030641-00



Wheel Kit (312167)

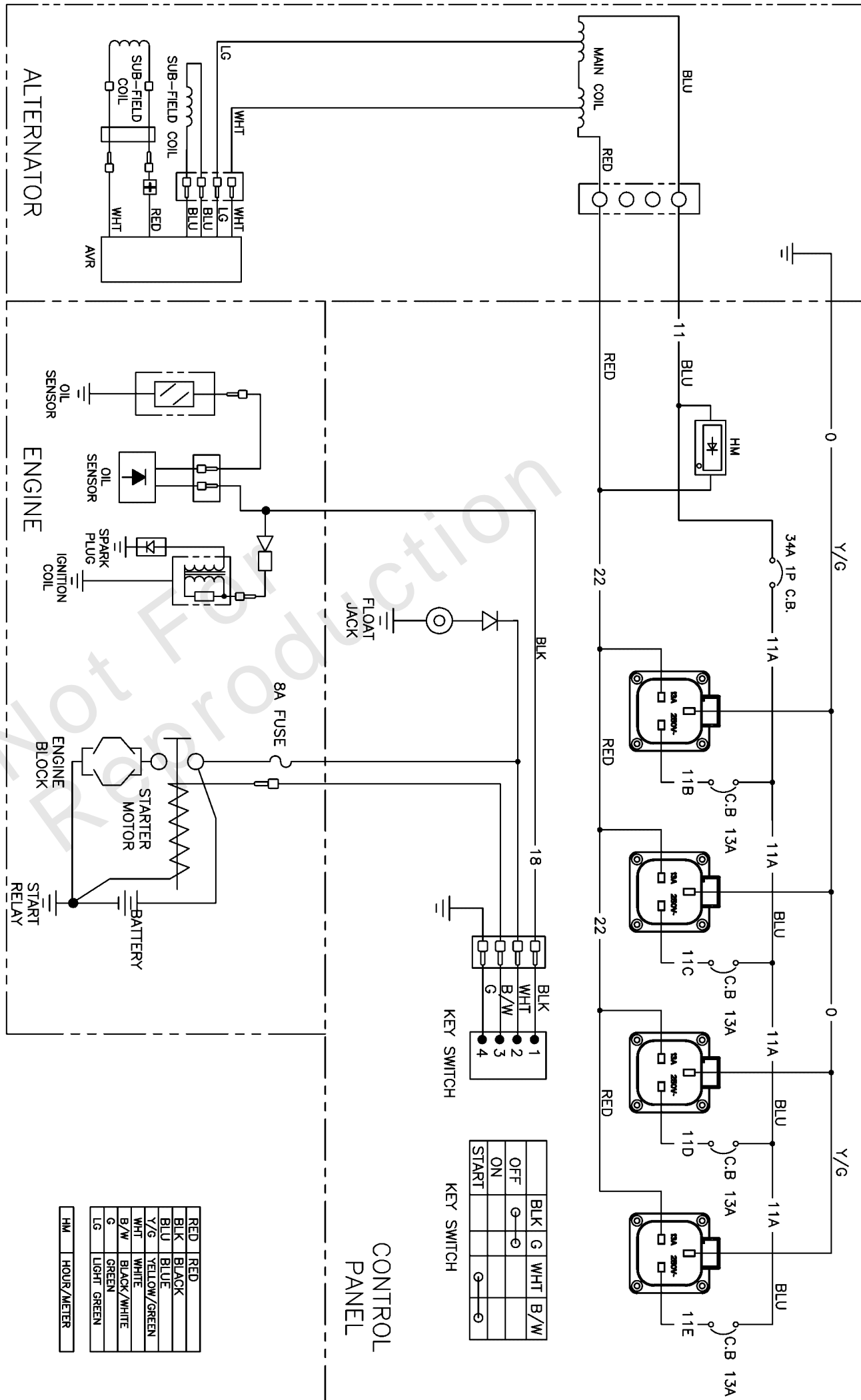
REF NO	PART NO	QTY	DESCRIPTION
1	311999GS		HANDLE
2	311998GS		GRIP-HANDLE
3	312000GS		GRIP-HANDLE
4	75477GS		SCREW-M5-0.8 x 20
5	318677GS		BOLT
6	187104GS		WASHER-NYLON M8
7	49820GS		NUT-M8-1.25 NYLOK
8	207825GS		BOLT-M5-6 x 16
9	312016GS		KNOB
10	312015GS		SPRING
11	312017GS		PIN
12	319285GS		MOUNT-VIBRATION
13	52857GS		NUT-M8 FLANGE
14	42568GS		SCREW-M8 x 16
15	311994GS		SUPPORT-LEG
16	46526GS		WASHER-M10 LOCK
17	45772GS		NUT-M10 LOCK
18	94856GS		WASHER-M10 FLAT
19	312022GS		HUBCAP
20	312021GS		WHEEL
21	5025210YP		PIN-HAIR .0915 x 1-7/8
22	312023GS		AXLE

Not For
Reproduction

Wiring Diagram (80011033)

Note: Unless noted otherwise, use the standard torque specifications

Mfg. No: 030641-00



Wiring Diagram (80011033)

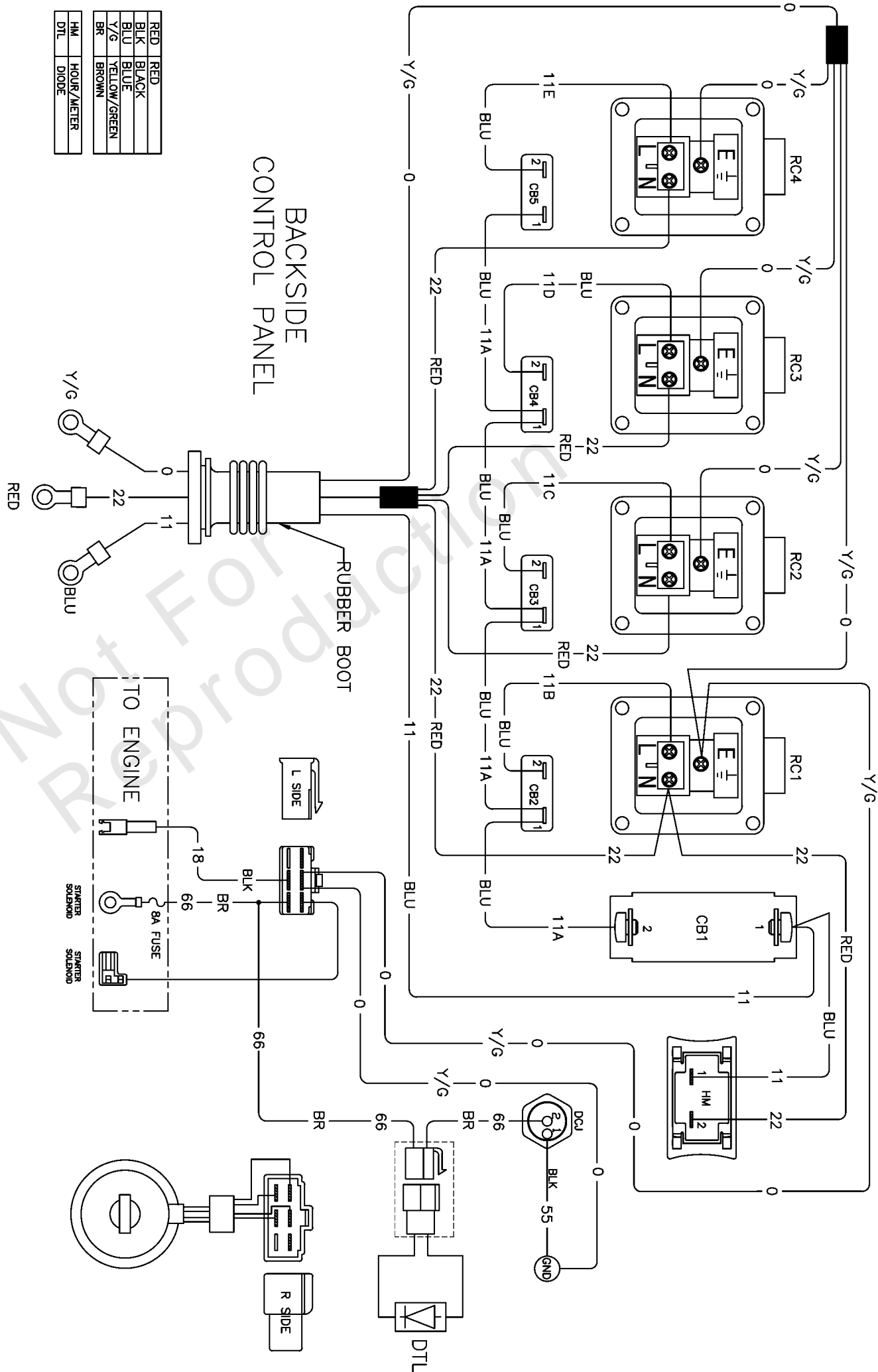
REF NO	PART NO	QTY	DESCRIPTION
--	-		Wiring Diagram Only

Not For
Reproduction

Wiring Schematic (80011033)

Note: Unless noted otherwise, use the standard torque specifications

Mfg. No: 030641-00



RED	RED
BLK	BLACK
BLU	BLUE
Y/G	YELLOW/GREEN
BR	BROWN
HM	HOUR/METER
DTL	DIODE

BACKSIDE
CONTROL PANEL

TO ENGINE

L SIDE
R SIDE
DTL

Wiring Schematic (80011033)

REF NO	PART NO	QTY	DESCRIPTION
--	-		Wiring Schematic Only

Not For
Reproduction

Hardware Identification & Torque Specifications

Torque Specification Chart								
FOR STANDARD METRIC MACHINE HARDWARE (Tolerance ± 20%)								
Property Class	5.6		8.8		10.9		12.9	
	Class 5.6		Class 8.8		Class 10.9		Class 12.9	
Size Of Hardware	in/lbs	Nm.	in/lbs	Nm.	in/lbs	Nm.	in/lbs	Nm.
	ft/lbs		ft/lbs		ft/lbs		ft/lbs	
M3	5.88	.56	13.44	1.28	19.2	1.80	22.92	2.15
M4	13.44	1.28	30.72	2.90	43.44	4.10	52.56	4.95
M5	26.4	2.50	60.96	5.75	5.97	8.10	7.15	9.7
M6	44.64	4.3	7.3	9.9	10.3	14	12.1	16.5
M7	5.2	7.1	12.1	16.5	16.9	23	19.9	27
M8	7.7	10.5	17.7	24	25	34	29	40
M10	15	21	35	48	50	67	59	81
M12	26	36	61	83	86.2	117	103	140
M14	42	58	101	132	136	185	162	220
M16	64	88	147	200	210	285	250	340
M18	89	121	202	275	287	390	346	470
M20	126	171	290	390	405	550	486	660
M22	169	230	390	530	559	745	656	890
M24	217	295	497	375	708	960	840	1140
M27	320	435	733	995	1032	1400	1239	1680
M30	435	590	995	1350	1401	1900	1681	2280
M33	590	800	1349	1830	1902	2580	2278	3090
M36	759	1030	1740	2360	2441	3310	2935	3980
M39	988	1340	2249	3050	3163	4290	3798	5150

Torque Specification Chart						
FOR STANDARD MACHINE HARDWARE (Tolerance ± 20%)						
Hardware Grade	No Marks		SAE Grade 5		SAE Grade 8	
	SAE Grade 2		SAE Grade 5		SAE Grade 8	
Size Of Hardware	in/lbs	Nm.	in/lbs	Nm.	in/lbs	Nm.
	ft/lbs		ft/lbs		ft/lbs	
8-32	19	2.1	30	3.4	41	4.6
8-36	20	2.3	31	3.5	43	4.9
10-24	27	3.1	43	4.9	60	6.8
10-32	31	3.5	49	5.5	68	7.7
1/4-20	66	7.6	8	10.9	12	16.3
1/4-28	76	8.6	10	13.6	14	19.0
5/16-18	11	15.0	17	23.1	25	34.0
5/16-24	12	16.3	19	25.8	29	34.0
3/8-16	20	27.2	30	40.8	45	61.2
3/8-24	23	31.3	35	47.6	50	68.0
7/16-14	30	40.8	50	68.0	70	95.2
7/16-20	35	47.6	55	74.8	80	108.8
1/2-13	50	68.0	75	102.0	110	149.6
1/2-20	55	74.8	90	122.4	120	163.2
9/16-12	65	88.4	110	149.6	150	204.0
9/16-18	75	102.0	120	163.2	170	231.2
5/8-11	90	122.4	150	204.0	220	299.2
5/8-18	100	136	180	244.8	240	326.4
3/4-10	160	217.6	260	353.6	386	525.0
3/4-16	180	244.8	300	408.0	420	571.2
7/8-9	140	190.4	400	544.0	600	816.0
7/8-14	155	210.8	440	598.4	660	897.6
1-8	220	299.2	580	788.8	900	1,244.0
1-12	240	326.4	640	870.4	1,000	1,360.0

The guides and ruler furnished below are designed to help you select the appropriate hardware.

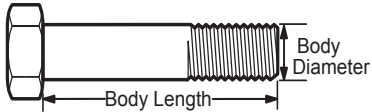


Nut, M8

Thread Diameter (mm)

Inside Diameter (in) Threads per inch

Nut, 1/2-16



Screw, M8- 1.25 x 25

Thread Diameter (mm) Distance between threads (mm) Body Length (mm)

Body Diameter Threads per inch Body Length (in)

Screw, 1/2- 16 x 2



Standard Hardware Sizing

When a washer or nut is identified as 1/2" (M8), this is the *Nominal size*, meaning the *inside diameter* is 1/2 inch (8mm metric thread diameter); if a second number is present it represents the *threads per inch* (distance between threads).

When bolt or capscrew is identified as 1/2 - 16 x 2" (M8 - 1.25 x 50), this means the *Nominal size*, or body diameter is 1/2 inch (8mm metric thread diameter), the second number, 16, represents the *threads per inch*, (*distance between threads*). The final number is the body length of the bolt or screw, 2 inches (50mm).

NOTES

- These torque values are to be used for all hardware excluding: locknuts, self-tapping screws, thread forming screws, sheet metal screws and socket head setscrews.
- Recommended seating torque values for locknuts:
 - for prevailing torque locknuts - use 65% of grade 5 torques.
 - for flange whizlock nuts and screws - use 135% of grade 5 torques.
- Unless otherwise noted on assembly drawings, all torque values must meet this specification.

Common Hardware Types

Hex Head Capscrew



Washer



Carriage Bolt



Hex Nut

Wrench & Fastener Size Guide

1/4" Bolt or Nut Wrench—7/16"	5/16" Bolt or Nut Wrench—1/2"	3/8" Bolt or Nut Wrench—9/16"	7/16" Bolt or Nut Wrench (Bolt)—5/8" Wrench (Nut)—11/16"	1/2" Bolt or Nut Wrench—3/4"
M6 Bolt or Nut Wrench—10mm	M8 Bolt or Nut Wrench—13mm	M10 Bolt or Nut Wrench—17mm	M12 Bolt or Nut Wrench—19mm	M14 Bolt or Nut Wrench—22mm

