



# *Illustrated Parts List*

## *Pressure Washer / Lavadora de Presión*



This pressure washer is rated in accordance to the Pressure Washer Manufacture Association (PWMA) Standard PW101 (Testing and Rating Performance of Pressure Washers).

Questions? Help is just a moment away!  
Preguntas? La ayuda es justa un momento lejos!  
Call: Pressure Washer Helpline

Llame: Línea Directa del Lavadora a Presión - 1-800-743-4115 M-F 8-5 CT

PowerBoss® is a registered trademark of Briggs & Stratton Power Products, LLC.  
PowerBoss® es una marca de Briggs & Stratton Power Products, LLC.

### **Model / Modelo**

<b>Mfg. No.</b>	<b>Description / Descripción</b>
020447-0	2,500 PSI Power Boss

**Manual Part No.** 312484

Revision A

Rev. Date: 10/5/2010

Not for  
Reproduction

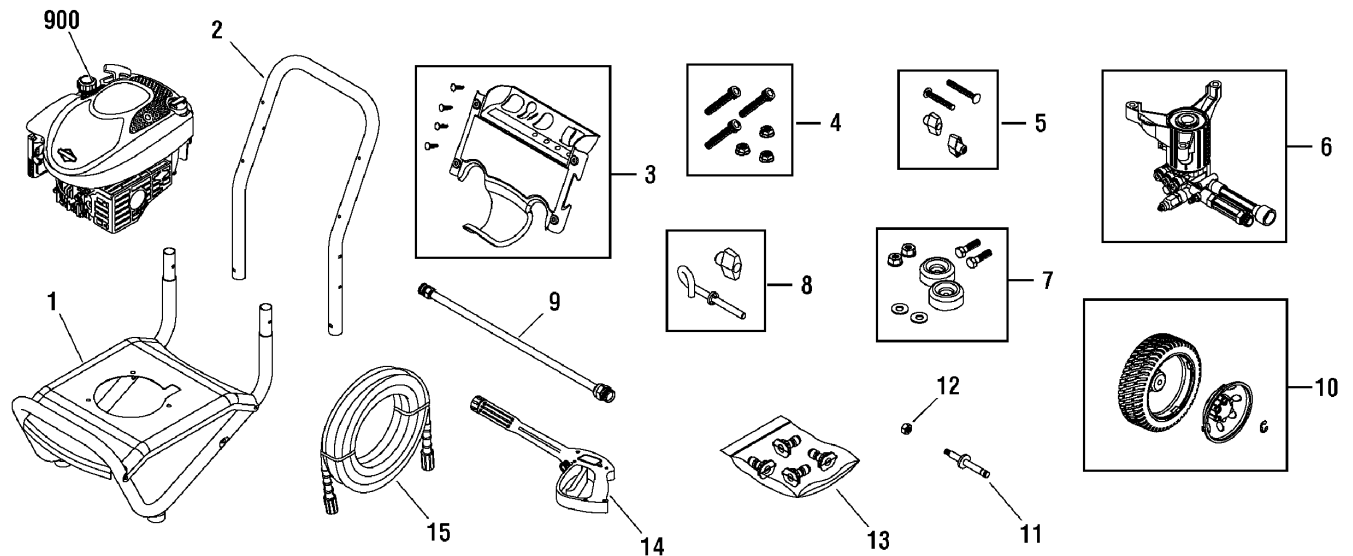
<b>PRODUCT COMPONENTS</b>	<b>PAGES</b>
Main Unit .....	4
Pump .....	6
<b>Torque Specification Chart .....</b>	<b>Inside Back Cover</b>

Not for  
Reproduction

## Main Unit

311922

**NOTE:** Unless noted otherwise,  
use the standard hardware torque  
specification chart.



REF.	PART NO.	DESCRIPTION	REF.	PART NO.	DESCRIPTION
1	311996GS	BASE	--	195983AEGS	NOZZLE, QC, Red
2	199110ZGS	HANDLE	--	195983RGS	NOZZLE, QC, White
3	312323GS	BILLBOARD	--	195983XGS	NOZZLE, QC, Yellow
--	B1797GS	CLIPS	14	204627GS	GUN
4	203526GS	KIT, Hardware, Pump Mounting	15	196006GS	HOSE
5	B2203GS	KIT, Hardware, Handle	900	----	** ENGINE
6	202274GS	PUMP	--	311924GS	MANUAL, Operator's (Not Illustrated)
7	192310GS	MOUNT, Vibration	--	794693	LABEL, Warning (Not Illustrated)
8	205912GS	GUIDE, Rope	--	794706	COVER, Blower Housing (Not Illustrated)
9	200595GS	EXTENSION, QC	--	310975GS	CHEMICAL HOSE (Not Illustrated)
10	209891GS	KIT, Wheel	--	312091GS	DECAL, Shroud (Not Illustrated)
--	209604GS	HUBCAP	--	23139GS	KEY (Not Illustrated)
--	192050GS	E-RING	--	199272GS	OIL (Not Illustrated)
11	313032GS	AXLE	--	195015GS	TAG, Warning (Not Illustrated)
12	015X68MA	NUT			
13	204971GS	KIT, QC Nozzles			
--	198841GS	NOZZLE, QC, Black			

### Footnotes

\*\*Contact Engine Manufacturer for parts and service.

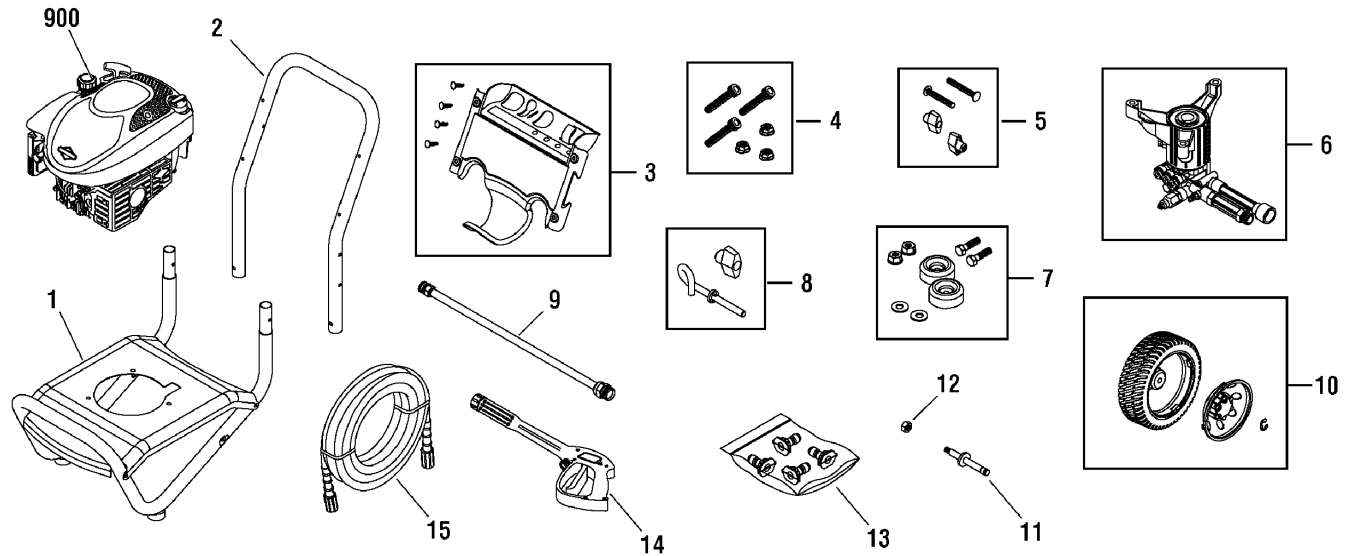
**The above parts group applies to the following Mfg. Nos.:**

020447-0 - 2,500 PSI Power Boss

## Main Unit

311922

**NOTE:** Unless noted otherwise,  
use the standard hardware torque  
specification chart.



REF. PART NO.	DESCRIPTION	REF. PART NO.	DESCRIPTION
-- 6048	KIT, O-Ring Maintenance (Optional Accessory)		
-- 6039	PUMP SAVER (Optional Accessory)		

### Footnotes

\*\*Contact Engine Manufacturer for parts and service.

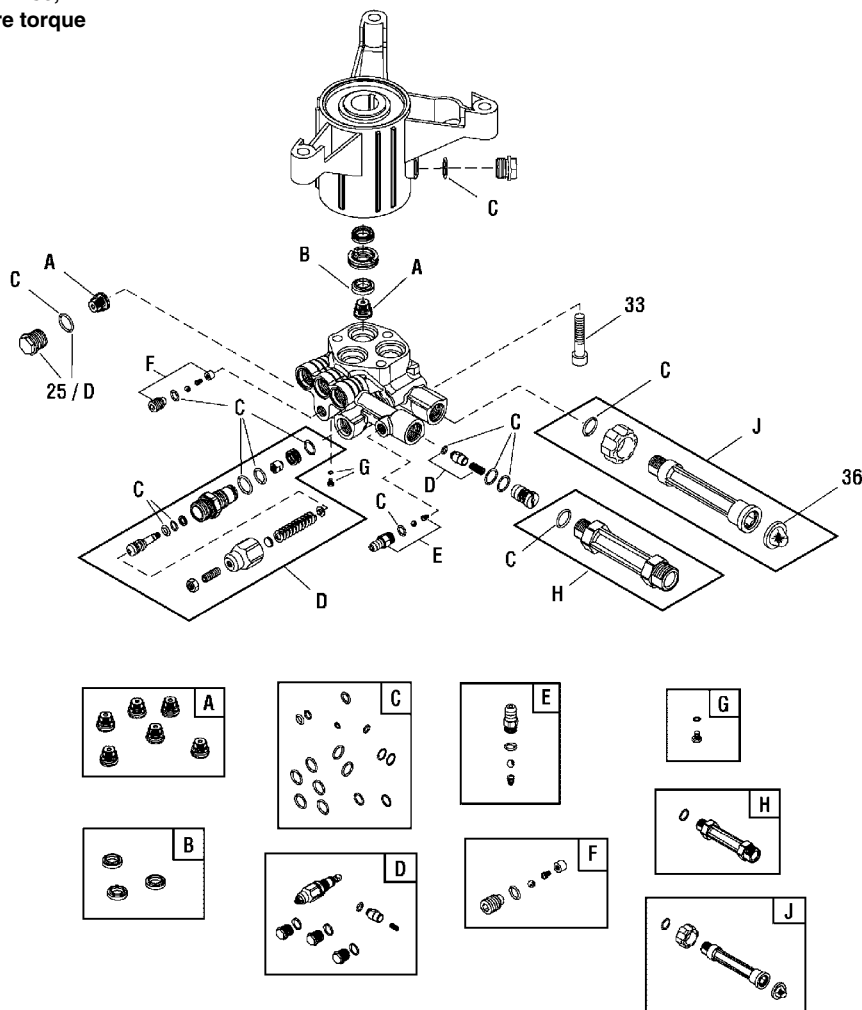
**The above parts group applies to the following Mfg. Nos.:**

020447-0 - 2,500 PSI Power Boss

# Pump

201112SRV

**NOTE: Unless noted otherwise, use the standard hardware torque specification chart.**



REF.	PART NO.	DESCRIPTION	REF.	PART NO.	DESCRIPTION
25	201495GS	PLUG			
33	200275GS	SCREW			
36	B2384GS	FILTER, Garden Hose			
A	200344GS	KIT, Check Valve			
B	200345GS	KIT, Water Seal			
C	200346GS	KIT, O-Ring			
D	202328GS	KIT, Unloader			
E	192914GS	KIT, Chemical Injection			
F	200349GS	KIT, Easy Start			
G	200350GS	SCREW, Grub			
H	201497GS	FITTING			
J	201496GS	KIT, Water Inlet			
--	208673GS	VALVE, Thermo Relief (Not Illustrated)			
--	6039	PUMP SAVER (Optional Accessory)			
--	6033	OIL BOTTLE (Optional Accessory)			

## Footnotes

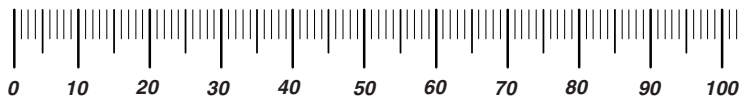
**The above parts group applies to the following Mfg. Nos.:**

020447-0 - 2,500 PSI Power Boss

# Hardware Identification & Torque Specifications

Torque Specification Chart								
FOR STANDARD METRIC MACHINE HARDWARE (Tolerance ± 20%)								
Property Class	5.6		8.8		10.9		12.9	
	Class 5.6		Class 8.8		Class 10.9		Class 12.9	
Size Of Hardware	in/lbs		in/lbs		in/lbs		in/lbs	
	ft/lbs	Nm.	ft/lbs	Nm.	ft/lbs	Nm.	ft/lbs	Nm.
M3	5.88	.56	13.44	1.28	19.2	1.80	22.92	2.15
M4	13.44	1.28	30.72	2.90	43.44	4.10	52.56	4.95
M5	26.4	2.50	60.96	5.75	5.97	8.10	7.15	9.7
M6	44.64	4.3	7.3	9.9	10.3	14	12.1	16.5
M7	5.2	7.1	12.1	16.5	16.9	23	19.9	27
M8	7.7	10.5	17.7	24	25	34	29	40
M10	15	21	35	48	50	67	59	81
M12	26	36	61	83	86.2	117	103	140
M14	42	58	101	132	136	185	162	220
M16	64	88	147	200	210	285	250	340
M18	89	121	202	275	287	390	346	470
M20	126	171	290	390	405	550	486	660
M22	169	230	390	530	559	745	656	890
M24	217	295	497	375	708	960	840	1140
M27	320	435	733	995	1032	1400	1239	1680
M30	435	590	995	1350	1401	1900	1681	2280
M33	590	800	1349	1830	1902	2580	2278	3090
M36	759	1030	1740	2360	2441	3310	2935	3980
M39	988	1340	2249	3050	3163	4290	3798	5150

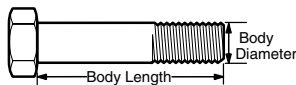
The guides and ruler furnished below are designed to help you select the appropriate hardware.



Nut, M8

Thread Diameter (mm)  
Inside Diameter (in)  
Threads per inch

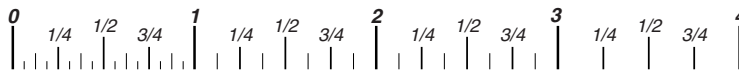
Nut, 1/2-16



Screw, M8- 1.25 x 25

Thread Diameter (mm)  
Body Diameter  
Distance between threads (mm)  
Threads per inch  
Body Length (mm)  
Body Length (in)

Screw, 1/2- 16 x 2



## Standard Hardware Sizing

When a washer or nut is identified as 1/2" (M8), this is the *Nominal size*, meaning the *inside diameter* is 1/2 inch (8mm metric thread diameter); if a second number is present it represents the *threads per inch* (distance between threads).

When bolt or capscrew is identified as 1/2 - 16 x 2" (M8 - 1.25 x 50), this means the *Nominal size*, or body diameter is 1/2 inch (8mm metric thread diameter), the second number, 16, represents the *threads per inch*, (1.25 thread diameter). The final number is the body length of the bolt or screw, 2 inches (50mm).

Torque Specification Chart						
FOR STANDARD MACHINE HARDWARE (Tolerance ± 20%)						
Hardware Grade	No Marks		SAE Grade 5		SAE Grade 8	
	SAE Grade 2		SAE Grade 5		SAE Grade 8	
Size Of Hardware	in/lbs		in/lbs		in/lbs	
	ft/lbs	Nm.	ft/lbs	Nm.	ft/lbs	Nm.
8-32	19	2.1	30	3.4	41	4.6
8-36	20	2.3	31	3.5	43	4.9
10-24	27	3.1	43	4.9	60	6.8
10-32	31	3.5	49	5.5	68	7.7
1/4-20	66	7.6	8	10.9	12	16.3
1/4-28	76	8.6	10	13.6	14	19.0
5/16-18	11	15.0	17	23.1	25	34.0
5/16-24	12	16.3	19	25.8	29	34.0
3/8-16	20	27.2	30	40.8	45	61.2
3/8-24	23	31.3	35	47.6	50	68.0
7/16-14	30	40.8	50	68.0	70	95.2
7/16-20	35	47.6	55	74.8	80	108.8
1/2-13	50	68.0	75	102.0	110	149.6
1/2-20	55	74.8	90	122.4	120	163.2
9/16-12	65	88.4	110	149.6	150	204.0
9/16-18	75	102.0	120	163.2	170	231.2
5/8-11	90	122.4	150	204.0	220	299.2
5/8-18	100	136	180	244.8	240	326.4
3/4-10	160	217.6	260	353.6	386	525.0
3/4-16	180	244.8	300	408.0	420	571.2
7/8-9	140	190.4	400	544.0	600	816.0
7/8-14	155	210.8	440	598.4	660	897.6
1-8	220	299.2	580	788.8	900	1,244.0
1-12	240	326.4	640	870.4	1,000	1,360.0

## NOTES

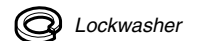
- These torque values are to be used for all hardware excluding: locknuts, self-tapping screws, thread forming screws, sheet metal screws and socket head setscrews.
- Recommended seating torque values for locknuts:
  - for prevailing torque locknuts - use 65% of grade 5 torques.
  - for flange whizlock nuts and screws - use 135% of grade 5 torques.
- Unless otherwise noted on assembly drawings, all torque values must meet this specification.

## Common Hardware Types

Hex Head Capscrew



Washer



Lockwasher

Carriage Bolt



Hex Nut

## Wrench & Fastener Size Guide

1/4" Bolt or Nut Wrench—7/16"	5/16" Bolt or Nut Wrench—1/2"	3/8" Bolt or Nut Wrench—9/16"	7/16" Bolt or Nut Wrench (Bolt)—5/8" Wrench (Nut)—11/16"	1/2" Bolt or Nut Wrench—3/4"
M6 Bolt or Nut Wrench—10mm	M8 Bolt or Nut Wrench—13mm	M10 Bolt or Nut Wrench—17mm	M12 Bolt or Nut Wrench—19mm	M14 Bolt or Nut Wrench—22mm



Not for  
Reproduction

**Briggs & Stratton Power Products Group, LLC**

Copyright© 2010 Briggs & Stratton Power Products Group, LLC. All rights reserved. No part of this page can be reproduced or transmitted in any form by any means without the express written permission of Briggs & Stratton Power Products Group, LLC.