



Illustrated Parts List



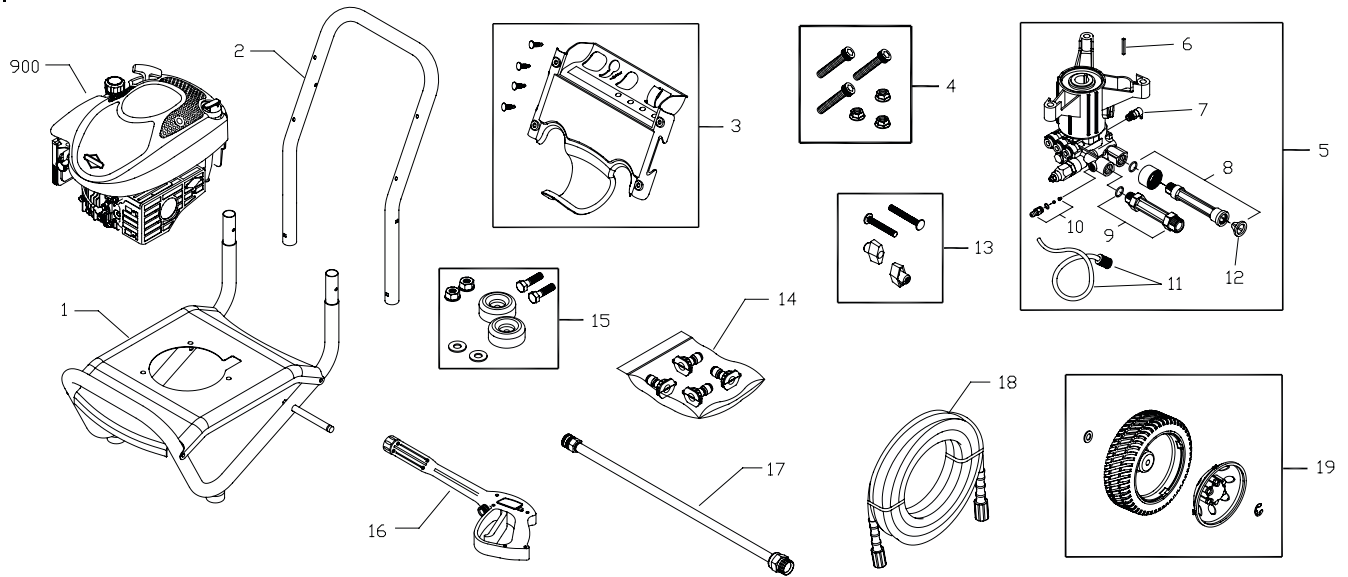
Questions? Help is just a moment away!
Call: Pressure Washer Helpline
1-800-743-4115 M-F 8-5 CT

This pressure washer is rated in accordance to the Pressure Washer Manufacture Association (PWMA) standard PW101 (Testing and Rating Performance of Pressure Washers).

Briggs & Stratton Power Products group, LLC
Jefferson, Wisconsin, U.S.A.

Model No. 020420-0 2500 PSI Pressure Washer IPL No. 311621 Revision - (11/17/2009)

Exploded View and Parts List



| Item | Part # | Description |
|------|------------|----------------------------|
| 1 | 209570GS | BASE |
| | 205413GS | AXLE |
| 2 | J199110GS | HANDLE |
| 3 | 310924GS | BILLBOARD |
| | B1797GS | CLIPS |
| 4 | 203526GS | KIT-HARDWARE PUMP MOUNTING |
| 5 | 202274GS | PUMP |
| 6 | 23139GS | KEY |
| 7 | 208673GS | VALVE-THERMAL RELIEF |
| 8 | 201496GS | KIT-WATER INLET |
| 9 | 201497GS | FITTING |
| 10 | 192914GS | KIT-CHEMICAL INJ |
| 11 | 189971GS | KIT-CHEMICAL HOSE |
| 12 | B2384GS | FILTER-GARDEN HOSE |
| 13 | B2203GS | KIT-HARDWARE HANDLE |
| 14 | 204971GS | KIT-QC NOZZLES |
| | 198841GS | NOZZLE-QC BLACK |
| | 195983AEGS | NOZZLE-QC RED |
| | 195983RGS | NOZZLE-QC WHITE |
| | 195983XGS | NOZZLE-QC YELLOW |
| 15 | 192310GS | MOUNT-VIBRATION |

| Item | Part # | Description |
|------|----------|--------------|
| 16 | 204627GS | GUN |
| 17 | 200595GS | EXTENSION-QC |
| 18 | 196138GS | HOSE |
| 20 | 209568GS | KIT-WHEEL |
| | 200520GS | HUBCAP |
| | 192050GS | E-RING |
| 900 | § | ENGINE |

Items Not Illustrated

| | |
|-----------|--------------------|
| 310921GS | MANUAL-OPERATOR'S |
| 794693 | LABEL-WARNING |
| 793191 | COVER-STATIC LABEL |
| 209144GS | DECAL-Shroud |
| BB3061BGS | OIL |
| 194256GS | TAG-WARNING |

Optional Accessories

| | |
|------|--------------------|
| 6048 | O-RING MAINTENANCE |
| 6039 | PUMP SAVER |

§ - Contact Engine Manufacturer

Copyright © 2009 Briggs & Stratton Power Products Group, LLC. All rights reserved. No part of this material may be reproduced or transmitted in any form without the express written permission of Briggs & Stratton Power Products Group, LLC.