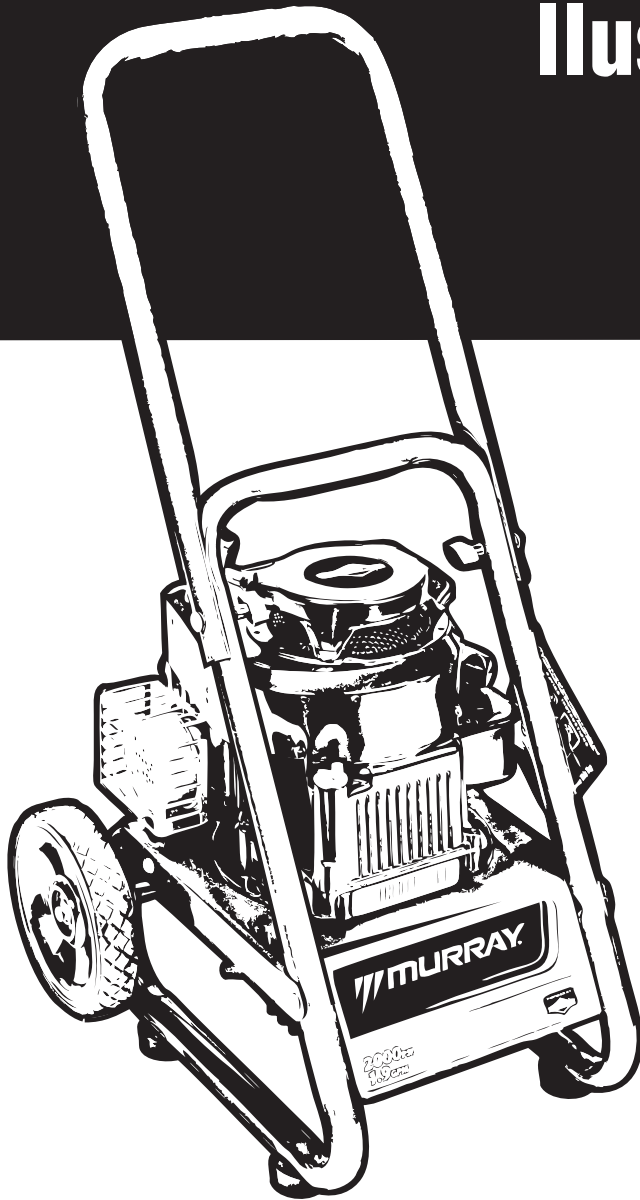




# Illustrated Parts List



**Pressure  
Washer  
Model 020373**

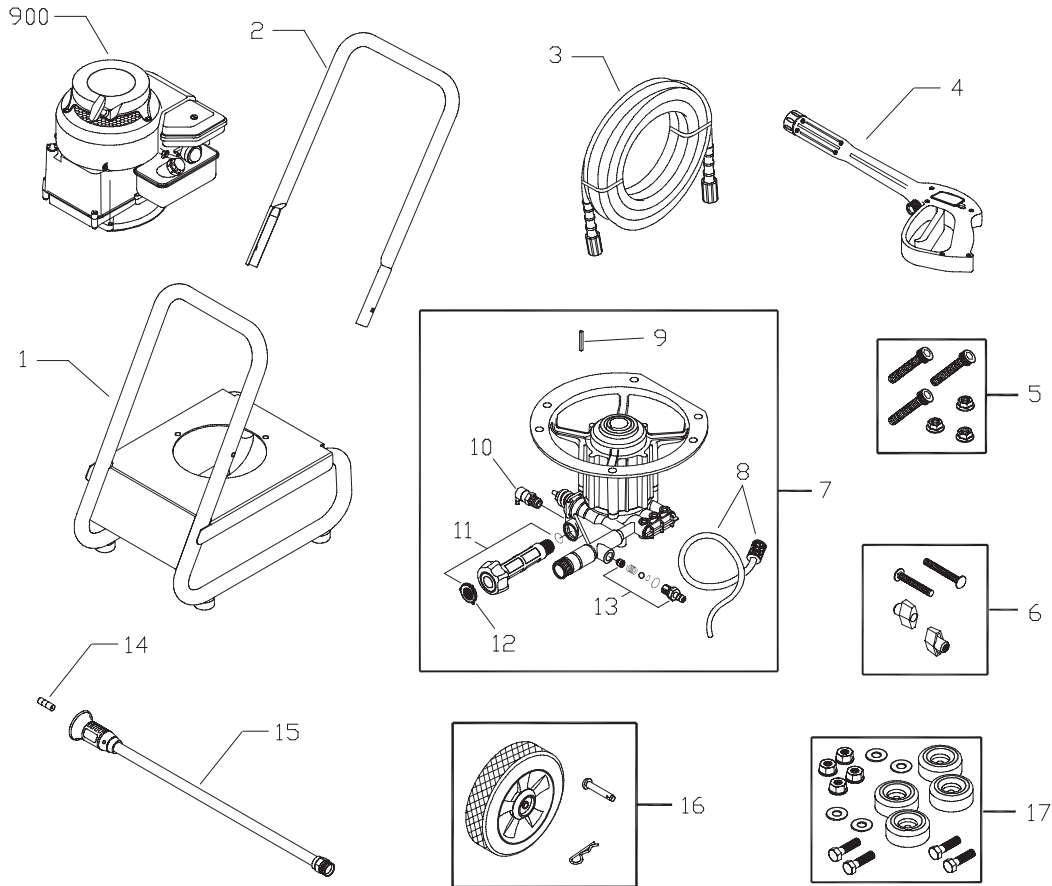
This pressure washer is rated in accordance to the Pressure Washer Manufacture Association (PWMA) standard PW101 (Testing and Rating Performance of Pressure Washers).

**BRIGGS & STRATTON POWER PRODUCTS GROUP, LLC  
JEFFERSON, WISCONSIN, U.S.A.**

Manual No. 206263A Revision - (02/04/2008)

# Exploded Views and Parts List

## EXPLODED VIEW AND PARTS LIST — MAIN UNIT



Item	Part #	Description
1	206373GS	BASE, w/Mounts
2	AC202565GS	HANDLE
3	196006GS	HOSE
4	204627GS	GUN
5	192525GS	KIT, Pump/Engine Mounting Hardware
6	B2203GS	KIT, Handle Connector
7	200200GS	ASSY, Pump
8	189971GS	Kit, Chemical Hose
9	23139GS	Key
10	194298GS	Valve, Thermal Relief
11	200278GS	Kit, Water Inlet
12	B2384GS	Filter, Inlet
13	200279GS	Kit, Chemical Injection
14	B1236DGS	ORFICE
15	205015DGS	WAND, Adjustable

Item	Part #	Description
16	206393GS	KIT, Wheel
	87005AGS	Pin, Quick Release
	203543GS	Pin, Round
17	198766GS	KIT, Vibration Mount
900	§	ENGINE

### Parts Not Illustrated

206263GS	MANUAL, Operator's
BB3061BGS	OIL BOTTLE
87815GS	GOGGLES
194141GS	BAG, Accessory, String
206259GS	DECAL, Unit
200658GS	DECAL, Recoil
205756GS	DECAL, Engine Shroud
794693	LABEL, Warning
194256GS	KIT, Tag/Warning, Service

Copyright © 2008 Briggs & Stratton Power Products Group, LLC. All rights reserved. No part of this material may be reproduced or transmitted in any form by any means without the express written permission of Briggs & Stratton Power Products Group, LLC.