



Illustrated Parts List

Pressure Washer / Lavadora de Presión



This pressure washer is rated in accordance to the Pressure Washer Manufacture Association (PWMA) Standard PW101 (Testing and Rating Performance of Pressure Washers).

Questions? Help is just a moment away!
Preguntas? La ayuda es justa un momento lejos!
Call: Pressure Washer Helpline

Llame: Línea Directa del Lavadora a Presión - 1-800-743-4115 M-F 8-5 CT

Model / Modelo

Mfg. No.	Description / Descripción
020305-1	2,200 PSI Briggs & Stratton
706384	Service Pump

Manual Part No. 206224A

Revision B

Rev. Date: 8/15/2014

Not for
Reproduction

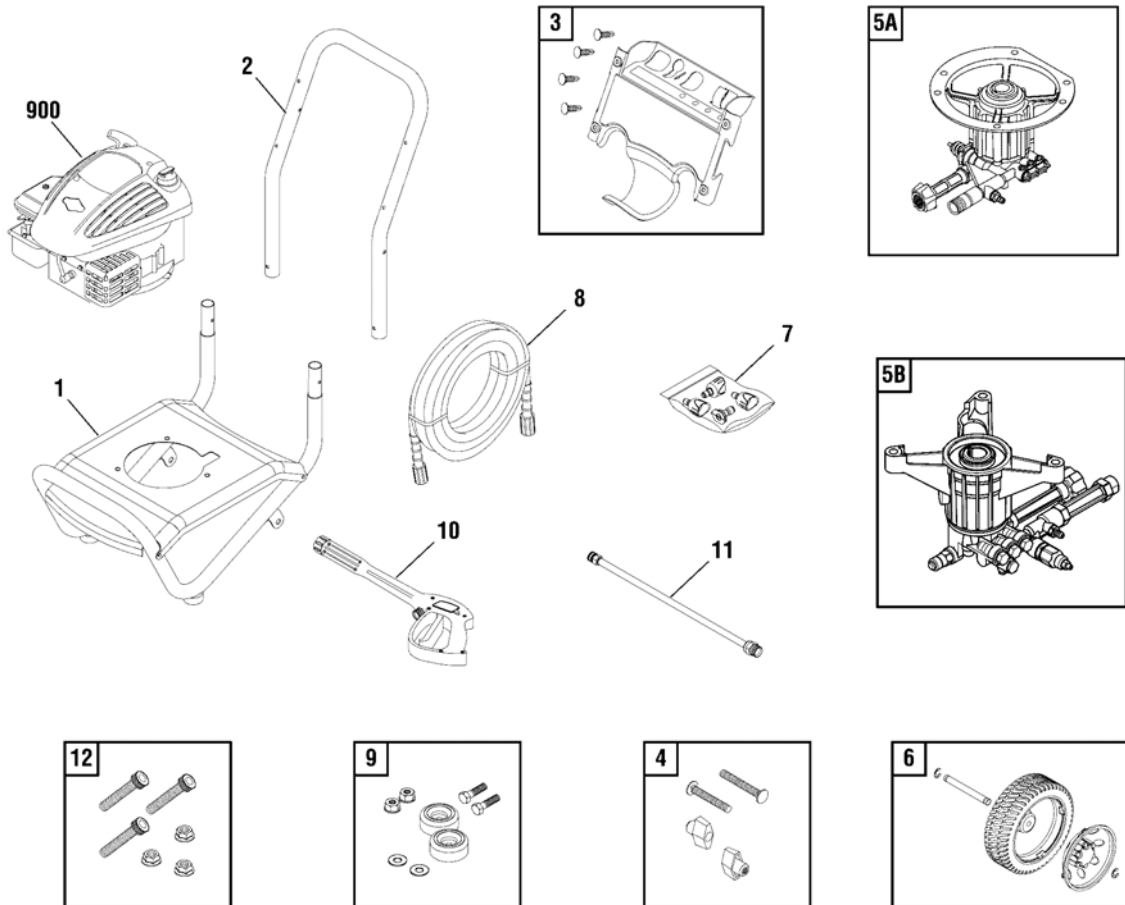
PRODUCT COMPONENTS	PAGES
Main Unit	4
Pump Service Parts	5
Pump Service Parts	6
Torque Specification Chart	Inside Back Cover

Not for
Reproduction

Main Unit

206323

NOTE: Unless noted otherwise, use the standard hardware torque specification chart.



REF.	PART NO.	DESCRIPTION	REF.	PART NO.	DESCRIPTION
1	202481GS	BASE, With Mounts	8	202017GS	HOSE
2	J199110GS	HANDLE	9	192310GS	KIT, Vibration Mount
3	202482GS	KIT, Billboard Assy With Decals	10	204627GS	GUN
--	195964GS	CLIPS, Tree	11	200595GS	EXTENSION
--	30809GS	GROMMET	12	192649GS	KIT, Pump Mounting Hardware
4	B2203GS	KIT, Handle Connector	900	----	** ENGINE
5A	206383GS	PUMP (NLA - Order Ref. No. 5B)	--	195015GS	KIT, Tag/Warning Service (Not Illustrated)
5B	706384	PUMP	--	BB3061BGS	OIL BOTTLE (Not Illustrated)
6	202483GS	KIT, Wheel	--	200672GS	DECAL, Warning, Hearing (Not Illustrated)
--	203872GS	AXLE	--	202243GS	DECAL, Shroud (Not Illustrated)
--	200520GS	HUBCAP	--	793973	ASSY, Shroud/Label (Not Illustrated)
--	1925050GS	E-RING	--	794693	LABEL, Warning (Not Illustrated)
7	202181GS	KIT, Nozzles	--	87815GS	GOGGLES (Not Illustrated)
--	198841GS	NOZZLE, Soap	--	6048	KIT, O-Ring maintenance (Optional Accessory - Not Included)
--	201580AEGS	NOZZLE, QC, Project Pro, Red	--	6039	PUMP SAVER (Optional Accessory - Not Included)
--	201580XGS	NOZZLE, QC, Project Pro, Orange			
--	201580RGS	NOZZLE, QC, Project Pro, Yellow			

Footnotes

* Contact Engine Manufacturer for parts & service.

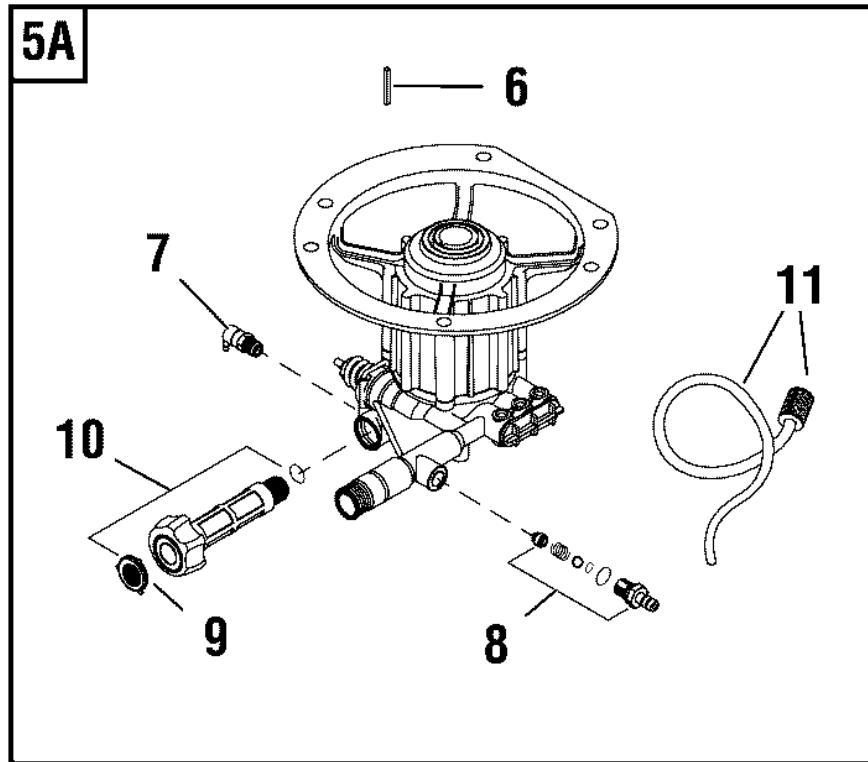
The above parts group applies to the following Mfg. Nos.:

020305-1 - 2,200 PSI Briggs & Stratton

Pump Service Parts

206383

NOTE: Unless noted otherwise,
use the standard hardware torque
specification chart.



REF. PART NO.	DESCRIPTION	REF. PART NO.	DESCRIPTION
5A	206383GS	PUMP (NLA)	
6	23139GS	Key	
7	208673GS	Valve, Thermal Relief	
8	200279GS	Kit, Chemical Injection	
9	B2384GS	Filter, Inlet	
10	200278GS	Kit, Water Inlet	
11	189971GS	Kit, Chemical Hose	

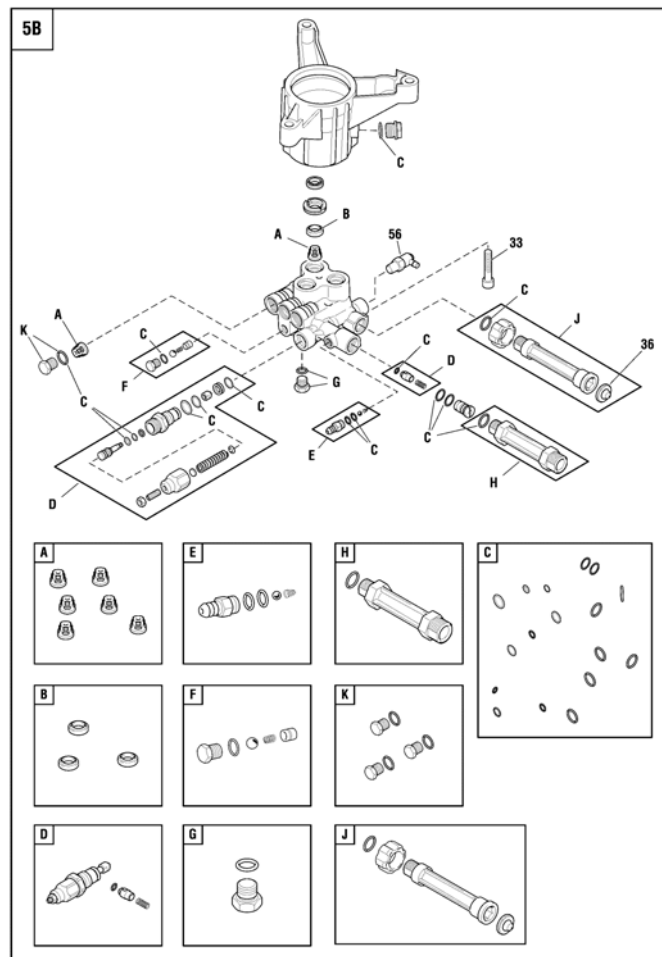
Footnotes

The above parts group applies to the following Mfg. Nos.:
020305-1 - 2,200 PSI Briggs & Stratton

Pump Service Parts

NOTE: Unless noted otherwise,
use the standard hardware torque
specification chart.

318641a



REF.	PART NO.	DESCRIPTION	REF.	PART NO.	DESCRIPTION
5B	706384	PUMP			
33	200275GS	SCREW			
36	B2384GS	FILTER-GARDEN HOSE			
56	208673GS	VALVE-THERMO RELIEF			
A	200344GS	* KIT-CHECK VALVE			
B	200345GS	* KIT-WATER SEAL			
C	319404GS	* KIT-O-RING			
D	315747GS	* KIT-UNLOADER			
E	317787GS	* KIT-CHEMICAL INJ			
F	200349GS	* KIT-EASY START			
G	200350GS	* SCREW-GRUB			
H	201497GS	* FITTING			
J	201496GS	* KIT-WATER INLET			
K	317056GS	* KIT-PLUG			
--	6039	PUMP SAVER (Optional Accessory - Not Included)			

Footnotes

* Service Kit includes all parts shown in box.

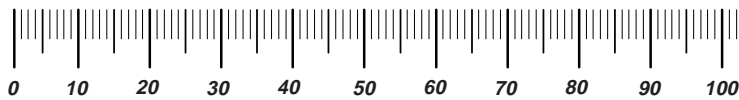
The above parts group applies to the following Mfg. Nos.:

706384 - Service Pump

Hardware Identification & Torque Specifications

Torque Specification Chart								
FOR STANDARD METRIC MACHINE HARDWARE (Tolerance ± 20%)								
Property Class	5.6		8.8		10.9		12.9	
	Class 5.6		Class 8.8		Class 10.9		Class 12.9	
Size Of Hardware	in/lbs		in/lbs		in/lbs		in/lbs	
	ft/lbs	Nm.	ft/lbs	Nm.	ft/lbs	Nm.	ft/lbs	Nm.
M3	5.88	.56	13.44	1.28	19.2	1.80	22.92	2.15
M4	13.44	1.28	30.72	2.90	43.44	4.10	52.56	4.95
M5	26.4	2.50	60.96	5.75	5.97	8.10	7.15	9.7
M6	44.64	4.3	7.3	9.9	10.3	14	12.1	16.5
M7	5.2	7.1	12.1	16.5	16.9	23	19.9	27
M8	7.7	10.5	17.7	24	25	34	29	40
M10	15	21	35	48	50	67	59	81
M12	26	36	61	83	86.2	117	103	140
M14	42	58	101	132	136	185	162	220
M16	64	88	147	200	210	285	250	340
M18	89	121	202	275	287	390	346	470
M20	126	171	290	390	405	550	486	660
M22	169	230	390	530	559	745	656	890
M24	217	295	497	375	708	960	840	1140
M27	320	435	733	995	1032	1400	1239	1680
M30	435	590	995	1350	1401	1900	1681	2280
M33	590	800	1349	1830	1902	2580	2278	3090
M36	759	1030	1740	2360	2441	3310	2935	3980
M39	988	1340	2249	3050	3163	4290	3798	5150

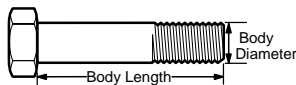
The guides and ruler furnished below are designed to help you select the appropriate hardware.



Nut, M8

Thread Diameter (mm)
Inside Diameter (in)
Threads per inch

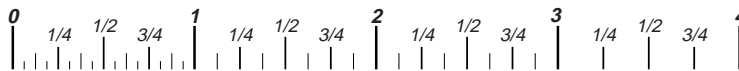
Nut, 1/2-16



Screw, M8- 1.25 x 25

Thread Diameter (mm)
Body Diameter
Distance between threads (mm)
Threads per inch
Body Length (mm)
Body Length (in)

Screw, 1/2- 16 x 2



Standard Hardware Sizing

When a washer or nut is identified as 1/2" (M8), this is the *Nominal size*, meaning the *inside diameter* is 1/2 inch (8mm metric thread diameter); if a second number is present it represents the *threads per inch* (distance between threads).

When bolt or capscrew is identified as 1/2 - 16 x 2" (M8 - 1.25 x 50), this means the *Nominal size*, or body diameter is 1/2 inch (8mm metric thread diameter), the second number, 16, represents the *threads per inch*, (1.25 thread diameter). The final number is the body length of the bolt or screw, 2 inches (50mm).

Torque Specification Chart						
FOR STANDARD MACHINE HARDWARE (Tolerance ± 20%)						
Hardware Grade	No Marks		SAE Grade 5		SAE Grade 8	
	SAE Grade 2		SAE Grade 5		SAE Grade 8	
Size Of Hardware	in/lbs		in/lbs		in/lbs	
	ft/lbs	Nm.	ft/lbs	Nm.	ft/lbs	Nm.
8-32	19	2.1	30	3.4	41	4.6
8-36	20	2.3	31	3.5	43	4.9
10-24	27	3.1	43	4.9	60	6.8
10-32	31	3.5	49	5.5	68	7.7
1/4-20	66	7.6	8	10.9	12	16.3
1/4-28	76	8.6	10	13.6	14	19.0
5/16-18	11	15.0	17	23.1	25	34.0
5/16-24	12	16.3	19	25.8	29	34.0
3/8-16	20	27.2	30	40.8	45	61.2
3/8-24	23	31.3	35	47.6	50	68.0
7/16-14	30	40.8	50	68.0	70	95.2
7/16-20	35	47.6	55	74.8	80	108.8
1/2-13	50	68.0	75	102.0	110	149.6
1/2-20	55	74.8	90	122.4	120	163.2
9/16-12	65	88.4	110	149.6	150	204.0
9/16-18	75	102.0	120	163.2	170	231.2
5/8-11	90	122.4	150	204.0	220	299.2
5/8-18	100	136	180	244.8	240	326.4
3/4-10	160	217.6	260	353.6	386	525.0
3/4-16	180	244.8	300	408.0	420	571.2
7/8-9	140	190.4	400	544.0	600	816.0
7/8-14	155	210.8	440	598.4	660	897.6
1-8	220	299.2	580	788.8	900	1,244.0
1-12	240	326.4	640	870.4	1,000	1,360.0

NOTES

- These torque values are to be used for all hardware excluding: locknuts, self-tapping screws, thread forming screws, sheet metal screws and socket head setscrews.
- Recommended seating torque values for locknuts:
 - for prevailing torque locknuts - use 65% of grade 5 torques.
 - for flange whizlock nuts and screws - use 135% of grade 5 torques.
- Unless otherwise noted on assembly drawings, all torque values must meet this specification.

Common Hardware Types

Hex Head Capscrew



Washer



Lockwasher

Carriage Bolt



Hex Nut

Wrench & Fastener Size Guide

1/4" Bolt or Nut Wrench—7/16"	5/16" Bolt or Nut Wrench—1/2"	3/8" Bolt or Nut Wrench—9/16"	7/16" Bolt or Nut Wrench (Bolt)—5/8" Wrench (Nut)—11/16"	1/2" Bolt or Nut Wrench—3/4"
M6 Bolt or Nut Wrench—10mm	M8 Bolt or Nut Wrench—13mm	M10 Bolt or Nut Wrench—17mm	M12 Bolt or Nut Wrench—19mm	M14 Bolt or Nut Wrench—22mm



Not for
Reproduction

Briggs & Stratton Power Products Group, LLC

Copyright© 2014 Briggs & Stratton Power Products Group, LLC. All rights reserved. No part of this page can be reproduced or transmitted in any form by any means without the express written permission of Briggs & Stratton Power Products Group, LLC.