

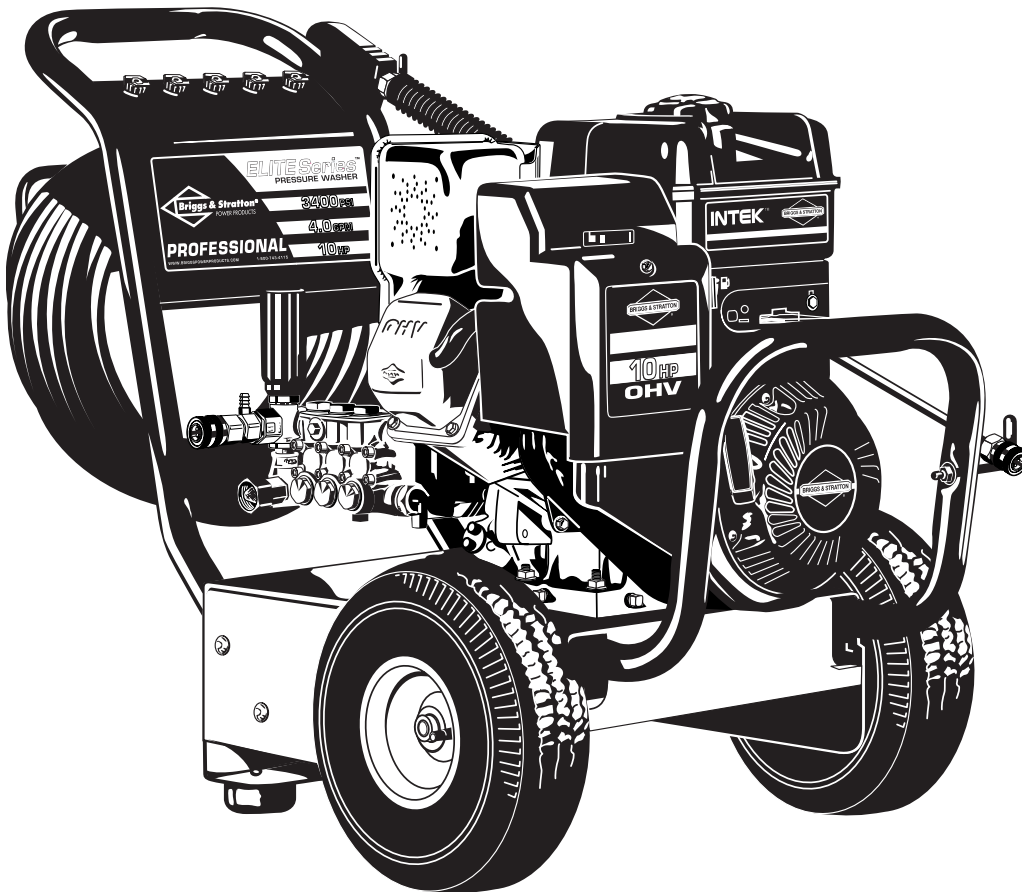


# ELITE Series™

## Pressure Washer Pulvérisateur à Pression

Owner's Manual  
Manuel de l'Utilisateur

020221  
(3400 PSI)



Questions? Help is just a moment away!

Vous avez des questions? Vous n'avez pas besoin d'aller loin pour trouver de l'aide!

Call: **Pressure Washer Helpline**

Appelez: **Ligne d'Assistance pour les Pulvérisateur**

1-800-743-4115 M-F 8-5 CT

**BRIGGS & STRATTON POWER PRODUCTS GROUP, LLC**  
**JEFFERSON, WISCONSIN, U.S.A.**

Manual No. 194867GS  
Revision 0 (04/16/2004)






# TABLE OF CONTENTS

Safety Rules. . . . . 2-4  
 Know Your Pressure Washer. . . . . 5  
 Assembly. . . . . 6-8  
 Operation. . . . . 9-11  
 Product Specifications . . . . . 12  
 Maintenance . . . . . 12-14  
 Storage . . . . . 14  
 Troubleshooting. . . . . 15  
 Replacement Parts . . . . . 16-17  
 Warranty. . . . . Last Page

# EQUIPMENT DESCRIPTION


 **Read this manual carefully and become familiar with your pressure washer. Know its applications, its limitations and any hazards involved.**


This manual contains information for a high pressure washer that operates at 3,400 PSI at a flow rate of 4.0 gallons per minute. This powerful, high quality system features large 10" wheels, a pump equipped with an automatic cool down system, chemical injection system, nozzle extension with quick connect nozzles, safety goggles, heavy duty 50' hose, and more.

Every effort has been made to ensure that information in this manual is accurate and current. However, we reserve the right to change, alter or otherwise improve the product and this document at any time without prior notice.

In the State of California a spark arrester is required by law (Section 4442 of the California Public Resources Code). Other states may have similar laws. Federal laws apply on federal lands. If you equip the muffler with a spark arrester, it must be maintained in effective working order.

# SAFETY RULES












 **This is the safety alert symbol. It is used to alert you to potential personal injury hazards. Obey all safety messages that follow this symbol to avoid possible injury or death.**

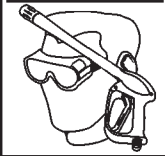
The safety alert symbol () is used with a signal word (DANGER, CAUTION, WARNING), a pictorial and/or a safety message to alert you to hazards. **DANGER** indicates a hazard which, if not avoided, will result in death or serious injury. **WARNING** indicates a hazard which, if not avoided, could result in death or serious injury. **CAUTION** indicates a hazard which, if not avoided, might result in minor or moderate injury. **CAUTION**, when used **without** the alert symbol, indicates a situation that could result in equipment damage. Follow safety messages to avoid or reduce the risk of injury or death.

 **WARNING**

**The engine exhaust from this product contains chemicals known to the State of California to cause cancer, birth defects, or other reproductive harm.**

# Hazard Symbols and Meanings

		
Toxic Fumes	Electrical Shock	
		
Slippery Surface	Fall	Fluid Injection
		
Fire	Explosion	Hot Surface
		
Moving Parts	Flying Objects	Kickback

**SAFETY RULES**

## 3400 PSI Pressure Washer

**! DANGER**

Running engine gives off carbon monoxide, an odorless, colorless, poison gas.

Some chemicals or detergents may be harmful if inhaled or ingested, causing severe nausea, fainting or poisoning.

Breathing carbon monoxide will cause nausea, fainting or death.

- Operate pressure washer **ONLY** outdoors.
- Use a respirator or mask whenever there is a chance that vapors may be inhaled.
- Read all instructions with mask so you are certain the mask will provide the necessary protection against inhaling harmful vapors.

**! WARNING**

Spray contact with electrical wiring can result in electrocution.

- Keep water spray away from electric wiring or fatal electric shock may result.

**! WARNING**

Use of pressure washer can create puddles and slippery surfaces.



High pressure spray could cause you to fall if you are too close to the cleaning surface.

- Keep spray nozzle between 8 to 24 inches away from cleaning surface.
- Operate this unit on a stable surface.
- The cleaning area should have adequate slopes and drainage to reduce the possibility of a fall due to slippery surfaces.
- Be extremely careful if you must use the pressure washer from a ladder, scaffolding or any other relatively unstable location.
- Firmly grasp spray gun with both hands when using high pressure spray to avoid injury if gun kicks back.

**! WARNING**

Fuel and its vapors are extremely flammable and explosive.



Fire or explosion can cause severe burns or death.

**WHEN ADDING FUEL**

- Turn pressure washer **OFF** and let it cool at least 2 minutes before removing gas cap.
- Fill fuel tank outdoors.
- **DO NOT** overfill tank. Allow space for fuel expansion.
- Keep fuel away from sparks, open flames, pilot lights, heat, and other ignition sources.
- **DO NOT** light a cigarette or smoke.

**WHEN OPERATING EQUIPMENT**

- **DO NOT** tip engine or equipment at angle which causes fuel to spill.
- **DO NOT** spray flammable liquids.

**WHEN TRANSPORTING OR REPAIRING EQUIPMENT**

- Transport/repair with fuel tank **EMPTY** or with fuel shutoff valve **OFF**.

**WHEN STORING FUEL OR EQUIPMENT WITH FUEL IN TANK**

- Store away from furnaces, stoves, water heaters, clothes dryers or other appliances that have pilot light or other ignition source because they can ignite fuel vapors.


**! WARNING**


The high pressure stream of water that this equipment produces can pierce skin and its underlying tissues, leading to serious injury and possible amputation.

- **NEVER** aim spray gun at people, animals or plants.
- **DO NOT** allow **CHILDREN** to operate pressure washer.
- **NEVER** repair high pressure hose. Replace it.
- Keep high pressure hose connected to pump and spray gun while system is pressurized.




**WARNING**

 Running engines produce heat and hot exhaust gases. Temperature of muffler and nearby areas can reach or exceed 150°F (65°C).

 Fire or severe burns can occur.


- DO NOT touch hot surfaces.
- Stay clear of exhaust gases.
- Allow equipment to cool before touching.

**WARNING**

 Starter and other rotating parts can entangle hands, hair, clothing, or accessories.


- DO NOT wear loose clothing, jewelry or anything that may be caught in the starter or other rotating parts.
- Tie up long hair and remove jewelry.


**WARNING**

 High pressure spray can cause paint chips or other particles to become airborne.

- Always wear eye protection when using this equipment or in vicinity of where equipment is in use.

**WARNING**

 Unintentional sparking can result in fire or electric shock.



**WHEN ADJUSTING OR MAKING REPAIRS TO YOUR PRESSURE WASHER**

- Disconnect spark plug wire from spark plug and place wire where it cannot contact spark plug.

**CAUTION**

Excessively high or low operating speeds increase risk of injury and damage to pressure washer.

- DO NOT tamper with governed speed.
- DO NOT operate pressure washer above rated pressure.

**CAUTION**

A pressure washer produces a high pressure spray which increases risk of injury and damage to unit.

- DO NOT secure spray gun in open position.
- DO NOT leave spray gun unattended while machine is running.
- NEVER use a spray gun which does not have a trigger lock or trigger guard in place and in working order.
- Always be certain spray gun, nozzles and accessories are correctly attached.

**CAUTION**

High pressure spray may damage fragile items including glass.

- DO NOT point spray gun at glass when in jet spray mode.
- NEVER aim spray gun at plants.

**CAUTION**

Improper treatment of pressure washer can damage it and shorten its life.

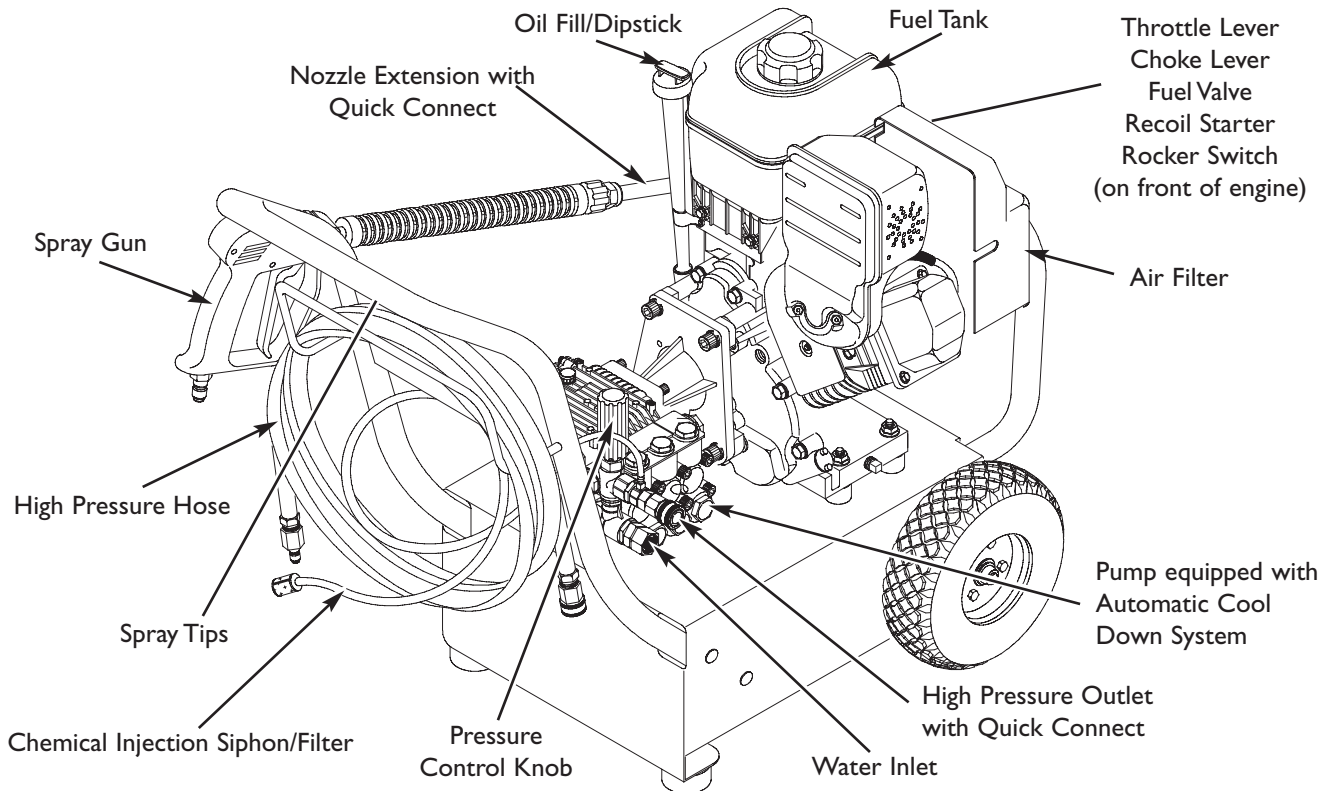
- If you have questions about intended use, ask dealer or contact Briggs & Stratton Power Products.
- NEVER operate units with broken or missing parts, or without protective housing or covers.
- DO NOT by-pass any safety device on this machine.
- Before starting pressure washer in cold weather, check all parts of the equipment to be sure ice has not formed there.
- NEVER move machine by pulling on high pressure hose. Use handle provided on unit.
- Check fuel system for leaks or signs of deterioration, such as chafed or spongy hose, loose or missing clamps, or damaged tank or cap. Correct all defects before operating pressure washer.
- This equipment is designed to be used with Briggs & Stratton Power Products authorized parts **ONLY**. If equipment is used with parts that DO NOT comply with minimum specifications, user assumes all risks and liabilities.



## KNOW YOUR PRESSURE WASHER

Read this owner's manual and safety rules before operating pressure washer.

Compare the illustrations with your high pressure washer to familiarize yourself with the locations of various controls and adjustments. Save this manual for future reference.



**Air Filter** — Protects engine by filtering dust and debris out of intake air.

**Automatic Cool Down System** — Cycles water through pump when water reaches 125°-155°F. Warm water will discharge from pump onto ground. This system prevents internal pump damage.

**Chemical Injection Siphon/Filter** — Use to siphon detergent or other pressure washer chemicals into the low pressure stream.

**Choke Lever** — Prepares a cold engine for starting.

**Fuel Valve** — Used to turn fuel on and off to engine.

**Fuel Tank** — Fill tank with regular unleaded gasoline. Always leave room for fuel expansion.

**High Pressure Hose** — Connect one end to the water pump and the other end to the spray gun.

**High Pressure Outlet with Quick Connect** — To connect high pressure hose.

**Nozzle Extension with Quick Connect** — Allows you to switch between five different spray nozzles.

**Oil Fill/Dipstick** — Check and fill with oil here.

**Pressure Control Knob** — Varies the pressure of the high pressure spray.

**Pump** — Develops high pressure.

**Recoil Starter** — Use for starting the engine manually.

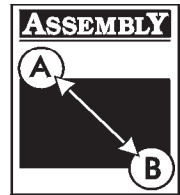
**Rocker Switch** — Set this switch to "On" before using recoil starter. Set switch to "Off" to switch off engine.

**Spray Gun** — Controls the application of water onto cleaning surface with trigger device. Includes safety latch.

**Spray Tips** — Chemical injection, 0°, 15°, 25°, and 40°: for various cleaning applications.

**Throttle Lever** — Sets engine in starting mode for recoil starter.

**Water Inlet** — Connect garden hose here.



## ASSEMBLY

**IMPORTANT:** Read entire owner's manual before you attempt to assemble or operate your new pressure washer.

### Remove Pressure Washer From Carton

- Remove the high pressure hose, handle, and parts box included with pressure washer.
- Slice two corners at the end of carton from top to bottom so the panel can be folded down flat, then remove all packing material.
- Roll pressure washer out of carton.

### Carton Contents

#### Items in the carton include:

- Main unit
- High pressure hose
- Handle
- Engine oil
- Safety goggles
- Spray gun with quick connect fitting
- Nozzle extension with quick connect fitting
- Parts bag (includes the following):
  - Bag containing 5 multi-colored quick connect nozzles
  - Maintenance kit
  - Owner's manual
  - Engine manual
  - Handle hardware, including 4 carriage bolts and 4 flange nuts

If any of the above parts are missing or damaged, call the pressure washer helpline at **1-800-743-4115**.

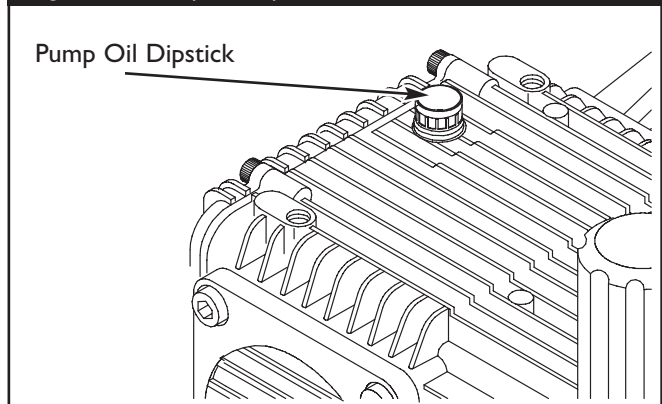
## PREPARING PRESSURE WASHER FOR USE

If you have any problems with the assembly of your pressure washer or if parts are missing or damaged, call the pressure washer helpline at **1-800-743-4115**.

**To prepare your pressure washer for operation, you will need to perform these tasks:**

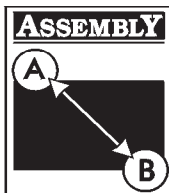
1. Attach handle to main unit.
2. Verify oil dipstick has been installed into pump (Figure 1).

Figure 1 — Pump Oil Dipstick



**NOTE:** The pump has been filled with oil at the factory and is ready for use.

3. Add oil to engine.
4. Add fuel to fuel tank.
5. Connect high pressure hose to spray gun and pump.
6. Connect water supply to pump.
7. Connect nozzle extension to spray gun.
8. Select and install desired nozzle.



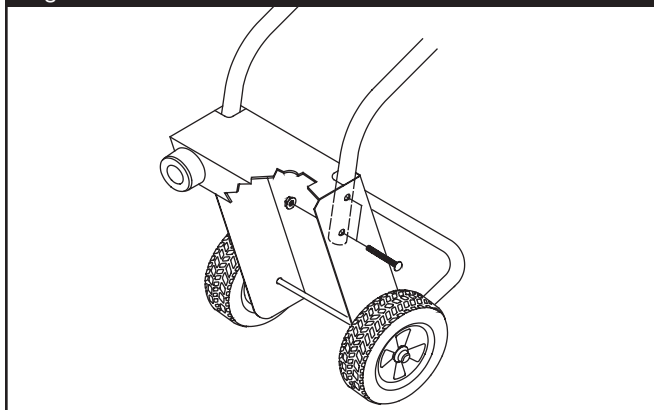
## Attach Handle to the Pressure Washer

Use either a 13mm or adjustable wrench to attach the handle to the pressure washer.

### To attach handle to the pressure washer:

1. Slowly tip pressure washer forward and let it gently rest on front bumper.
2. Align holes on handle with holes on base.
3. Insert carriage bolts provided to hold handle in place (Figure 2).

Figure 2 — Attach Handle to Pressure Washer



4. Secure handle to pressure washer using four provided flange nuts.
5. Slowly tip pressure washer back in place and insert multi-colored spray tips in spaces provided in handle.

## Add Engine Oil and Fuel

- Place pressure washer on a level surface.
- Refer to engine owner's manual and follow oil and fuel recommendations and instructions.

### CAUTION

Any attempt to crank or start the engine before it has been properly filled with the recommended oil will result in equipment failure.

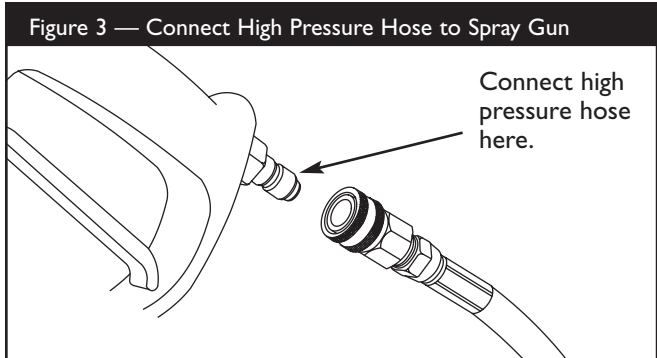
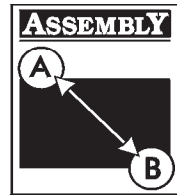
- Refer to engine manual for oil and fuel fill information.
- Damage to equipment resulting from failure to follow this instruction will void warranty.

**NOTE:** Check oil often during engine break-in. Refer to engine owner's manual for recommendations.

## Connect Hose and Water Supply to Pump

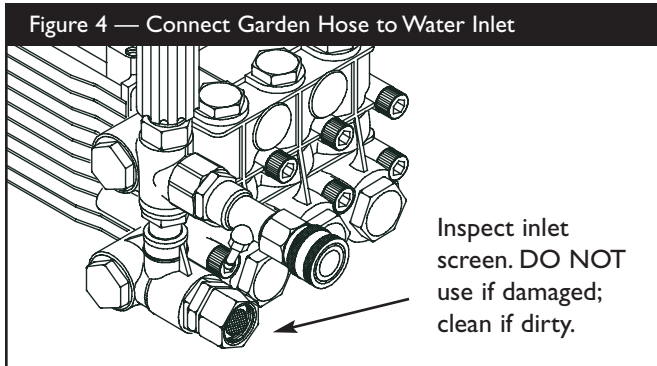
**IMPORTANT:** To avoid pump damage, you must assemble the nozzle extension to the spray gun and attach all hoses before you start the engine.

1. Uncoil high pressure hose and attach quick connect end of hose to base of spray gun (Figure 3). Pull back on collar of quick connect, slide onto spray gun and let go of collar. Tug on hose to be sure of a tight connection.



**NOTE:** Remove and discard all pump shipping caps before attaching hoses.

2. Similarly, attach other end of high pressure hose to the high pressure outlet on pump. Pull back on collar of quick connect, slide into pump and let go of collar. Pull on hose to be sure of a tight connection.
3. Before connecting garden hose to water inlet, inspect inlet screen (Figure 4). Clean screen if it contains debris or replace if damaged. **DO NOT** run pressure washer if inlet screen is damaged.



4. Run water through garden hose for 30 seconds to clean out any debris. Turn off water.

**IMPORTANT:** **DO NOT** siphon standing water for the water supply. Use **ONLY** cold water (less than 100°F).

5. Connect garden hose (not to exceed 50 feet in length) to water inlet. Tighten by hand (Figure 4).

### CAUTION

There **MUST** be at least ten feet of unrestricted garden hose between the pressure washer inlet and any flow shut off device, such as a 'Y' shut-off connector or other convenience-type water shut-off valve.

- Damage to equipment resulting from failure to follow this instruction will void warranty.

6. Turn **ON** water and squeeze trigger on spray gun to purge pump system of air and debris.

### WARNING



High pressure spray can cause paint chips or other particles to become airborne.

- Always wear eye protection when using this equipment or in vicinity of where equipment is in use.
- Before starting the pressure washer, be sure you are wearing adequate eye protection.

### Checklist Before Starting Engine

Review the unit's assembly to confirm you have performed all of the following:

1. Make sure handle is secure.
2. Make sure oil dipstick is installed into pump.
3. Check for properly tightened hose connections.
4. Check to make sure there are no kinks, cuts, or damage to high pressure hose.
5. Check that oil has been added to proper level in engine crankcase.
6. Add proper gasoline to fuel tank.
7. Provide a proper water supply (not to exceed 100°F).
8. Be sure to read "Safety Rules" and "How To Use Your Pressure Washer" before using pressure washer.





## HOW TO USE PRESSURE WASHER

If you have any problems operating your pressure washer, please call the pressure washer helpline at **1-800-743-4115**.

### How to Start Engine

The best way to start your pressure washer for the first time is to follow these instructions step-by-step. This starting information also applies if you have let the pressure washer sit idle for at least a day.

1. Place pressure washer near an outside water source capable of supplying water at a flow rate greater than 5.0 gallons per minute and no less than 20 PSI at pressure washer end of garden hose.
2. Check that high pressure hose is tightly connected to spray gun and pump. See “Preparing Pressure Washer for Use” for illustrations.
3. Make sure unit is in level position.
4. Connect garden hose to water inlet on pressure washer pump. **Turn ON water.**

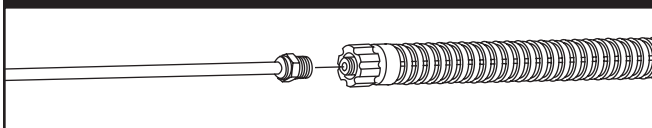
### CAUTION

**DO NOT** run the pump without the water supply connected and turned on.

- Damage to equipment resulting from failure to follow this instruction will void warranty.

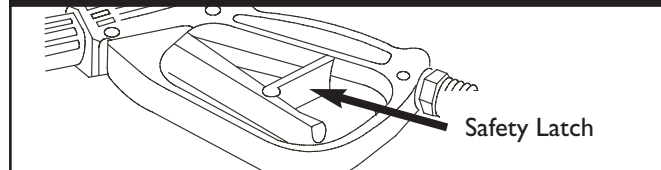
5. Squeeze spray gun trigger until a steady stream of water occurs.
6. Attach nozzle extension to spray gun (Figure 5). Tighten by hand.

Figure 5 — Connect Nozzle Extension to Spray Gun



7. Select desired quick connect spray tip and insert it into end of nozzle extension (see “How To Use Spray Tips”).
8. Engage safety latch to spray gun trigger (Figure 6).

Figure 6 — Spray Gun with Safety Latch Engaged



9. Start engine according to instructions given in engine owner's manual. Also see operating instructions tag located on the pressure washer.



### CAUTION

Avoid injury from kickback.

- When starting engine, pull cord slowly until resistance is felt and then pull rapidly to avoid kickback.
- If engine starts and fails to continue to run or if increased resistance is felt during starting pull attempts, squeeze trigger on spray gun.

**NOTE:** Always keep the throttle lever in the “Fast” position when operating the pressure washer.

### How to Stop Pressure Washer

1. Let engine idle for two minutes.
2. Turn engine off according to instructions given in engine owner's manual.
3. **Squeeze trigger on spray gun to relieve pressure in hose.**

**NOTE:** A small amount of water will squirt out when pressure is released.

## How to Use Spray Tips

The nozzle extension quick-connect allows the use of several different spray tips. Each spray tip provides a different spray pattern (Figure 7).



### CAUTION

A pressure washer produces a high pressure spray which increases risk of injury and damage to unit.

- NEVER exchange spray tips without locking the safety latch on the trigger.

### Follow these instructions to change spray tips:

1. Engage safety latch on spray gun.
2. Pull back collar on quick-connect and pull current spray tip out.
3. Select desired spray tip:
  - For gentle rinse, select white 40° or green 25° spray tip.
  - To scour surface, select yellow 15° or red 0° spray tip.
  - To apply chemical, select black spray tip.
4. Pull back on collar; insert new spray tip and release collar. Tug on spray tip to make sure it is securely in place.
5. For most effective cleaning, keep spray tip from 8 to 24 inches away from cleaning surface. DO NOT get closer than 6 inches when cleaning automobile tires.

## Cleaning and Applying Chemical

**IMPORTANT: Use soaps designed specifically for pressure washers.** Household detergents could damage the pump.

### CAUTION

You must attach all hoses before you start the engine.

- Starting the engine without all the hoses connected and without the water turned ON will damage the pump.
- Damage to equipment resulting from failure to follow this instruction will void warranty.

### To apply detergent follow these steps:

1. Review spray tip use.
2. Prepare detergent solution as required by manufacturer.
3. Place chemical injection siphon/filter into detergent container.

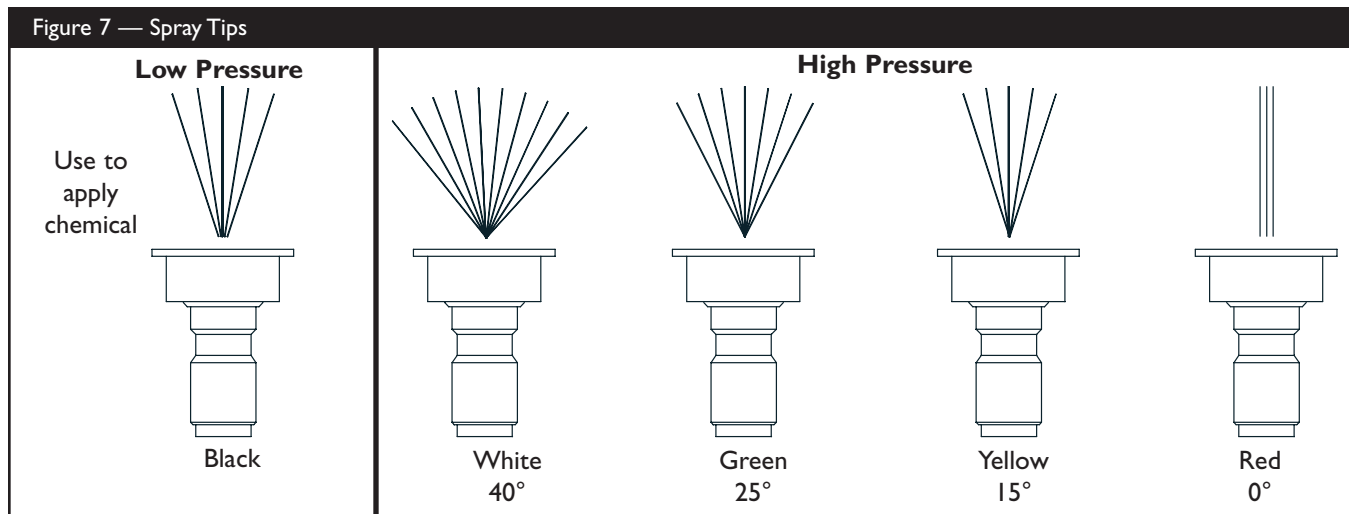
### CAUTION

Keep the chemical injection tube from coming in contact with the hot muffler.

- When inserting the filter into a detergent solution bottle, route the tube so as to keep it from inadvertently contacting the hot muffler.

4. Make sure black spray tip is installed.

**NOTE:** Detergent cannot be applied with high pressure spray tips (White, Green, Yellow, or Red).





5. Make sure garden hose is connected to water inlet. Check that high pressure hose is connected to spray gun and pump; start engine.
6. Apply detergent to a dry surface, starting at lower portion of area to be washed and work upward, using long, even, overlapping strokes. **DO NOT** allow detergent to dry on (prevents streaking).
7. Allow detergent to soak in between 3–5 minutes before washing and rinsing. Reapply as needed to prevent surface from drying.

### Pressure Washer Rinsing

**After you have applied detergent, scour the surface and rinse it clean as follows:**

1. Apply safety latch to spray gun.
2. Remove black chemical spray tip from nozzle extension.
3. Select and install desired high pressure spray tip following the instructions in “How to Use Spray Tips”.

#### **WARNING**

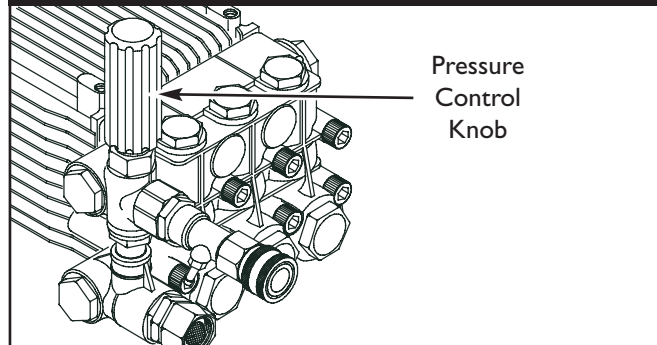


High pressure spray could cause you to fall if you are too close to the cleaning surface.

- Keep spray nozzle between 8 to 24 inches away from cleaning surface.
- Operate this unit on a stable surface.
- Be extremely careful if you must use the pressure washer from a ladder, scaffolding or any other relatively unstable location.
- Firmly grasp spray gun with both hands when using high pressure spray to avoid injury if gun kicks back.

4. Increase or decrease spray pressure by turning pressure control knob clockwise or counterclockwise respectively (Figure 8). Use lower pressure to wash items such as a car or boat. Use higher pressure to strip paint and degrease driveways.

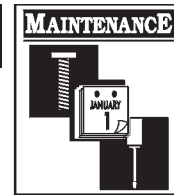
Figure 8 — Pressure Control Knob



5. Apply high pressure spray to small area and then check surface for damage. If no damage is found, you can assume it is okay to continue cleaning.
6. Start at top of area to be rinsed, working down with same overlapping strokes as used for cleaning.

### Automatic Cool Down System (Thermal Relief)

If you run the engine on your pressure washer for 3-5 minutes without squeezing the trigger on the spray gun, circulating water in the pump can reach temperatures above 125°F. The system engages to cool the pump by **discharging the warm water onto the ground.**



# SPECIFICATIONS

- Rated Pressure** . . . . . 3,400 PSI
- Flow Rate** . . . . . 4.0 gallons per minute (gpm)
- Detergent** . . . . . Use detergent approved for pressure washers
- Water Supply Temperature** . . . . . Not to exceed 100°F
- Automatic Cool Down System** . . . . Will cycle when water reaches 125°-155°F
- Shipping Weight** . . . . . 131 lbs.

# GENERAL MAINTENANCE RECOMMENDATIONS

The pressure washer warranty does not cover items that have been subjected to operator abuse or negligence. To receive full value from the warranty, the operator must maintain the pressure washer as instructed in this manual.

- Some adjustments will need to be made periodically to properly maintain your high pressure washer.
- All maintenance in this manual and the engine owner's manual should be made at least once each season.
- If equipped with inflatable tires, keep the air pressure at the value marked on the tire or within 15 and 40 psi.

## Before Each Use

1. Check engine oil level.
2. Check water inlet screen for damage.
3. Check in-line filter for damage.
4. Check high pressure hose for leaks.
5. Check detergent siphoning tube and filter for damage.
6. Check spray gun, nozzle extension, and nozzles for leaks.
7. Rinse out garden hose to flush out debris.

# PRESSURE WASHER MAINTENANCE

## Check and Clean Inlet Screen

Examine the screen on the water inlet. Clean it if the screen is clogged or replace it if screen is damaged.

## Check High Pressure Hose

The high pressure hose can develop leaks from wear, kinking, or abuse. Inspect the hose each time before using

it. Check for cuts, leaks, abrasions or bulging of cover, damage or movement of couplings. If any of these conditions exist, replace the hose immediately.

**WARNING**

The high pressure stream of water that this equipment produces can pierce skin and its underlying tissues, leading to serious injury and possible amputation.

- NEVER repair high pressure hose. Replace it.
- Replacement hose rating MUST exceed maximum pressure rating of unit.

## Check Detergent Siphoning Tube

Examine the filter on the detergent tube and clean if clogged. The tube should fit tightly on the barbed fitting. Examine the tube for leaks or tears. Replace the filter or tube if either is damaged.

## Cleaning Detergent Siphoning Tube

If you used the detergent siphoning tube, you must flush it with clean water before stopping the engine.

1. Place chemical injection siphon/filter in a bucket full of clean water.
2. Attach black low pressure spray tip.
3. Flush for 1-2 minutes.
4. Shut off engine.

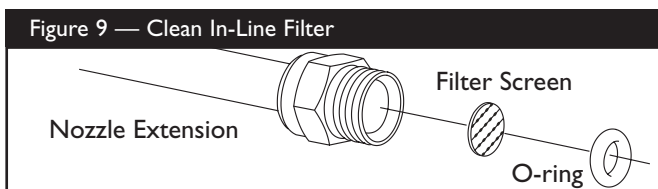
**IMPORTANT:** Simply shutting **OFF** engine will not release pressure in the system. **When the engine has shut down, squeeze the trigger on the spray gun to relieve the pressure in the hose.**

## Check Gun and Nozzle Extension

Examine the hose connection to the spray gun and make sure it is secure. Test the trigger by squeezing it and making sure it springs back into place when you release it. Put the safety latch in the on position and test the trigger. You should not be able to squeeze the trigger.

## Check In-Line Filter

Refer to Figure 9 and service the in-line filter if it becomes clogged, as follows:





1. Detach spray gun and nozzle extension from high pressure hose. Detach nozzle extension from spray gun and remove o-ring and screen from nozzle extension. Flush the screen, spray gun, and adjustable nozzle extension with clean water to clear debris.
2. If screen is damaged, the o-ring kit contains a replacement in-line filter screen and o-ring. If undamaged, reuse screen.
3. Place in-line filter screen into threaded end of nozzle extension. Direction does not matter. Push screen in with eraser end of pencil until it rests flat at bottom of opening. Take care to not bend screen.
4. Place o-ring into recess. Push o-ring snugly against in-line filter screen.
5. Assemble nozzle extension to spray gun, as described earlier in this manual.

## Purge Pump of Air and Contaminants

### To remove air from the pump, follow these steps:

1. Set up pressure washer as described in "Preparing Pressure Washer For Use". Connect water supply and turn water on.
2. Squeeze trigger on spray gun and hold.
3. When water supply is steady and constant, engage safety latch.

### To remove contaminants from the pump, follow these steps:

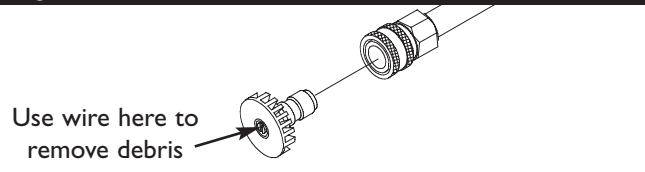
1. Set up pressure washer as described in "Preparing Pressure Washer For Use". Connect water supply and turn water on.
2. Start engine according to instructions in "To Start Pressure Washer".
3. Remove nozzle extension from spray gun.
4. Squeeze trigger on spray gun and hold.
5. When water supply is steady and constant, engage safety latch and reattach nozzle extension.

## Nozzle Maintenance

A pulsing sensation felt while squeezing the spray gun trigger may be caused by excessive pump pressure. The principal cause of excessive pump pressure is a nozzle clogged or restricted with foreign materials, such as dirt, etc. To correct the problem, immediately clean the nozzle using the tools included with your pressure washer and follow these instructions:

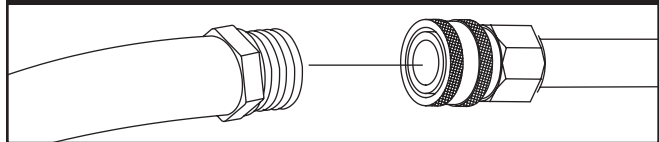
1. Shut off engine and turn off water supply.
2. Remove spray tip from end of nozzle extension.
3. Remove in-line filter from other end of nozzle extension.
4. Use wire included in kit (or a small paper clip) to free any foreign material clogging or restricting spray tip (Figure 10).

Figure 10 — Nozzle Maintenance



5. Using a garden hose, remove additional debris by back flushing water through nozzle extension (Figure 11). Back flush between 30 to 60 seconds.

Figure 11 — Backflushing the Nozzle Extension



6. Reinstall spray tip and in-line filter into nozzle extension.
7. Reconnect nozzle extension to spray gun.
8. Reconnect water supply, turn on water, and start engine.
9. Test pressure washer by operating with each Quick Connect spray tip.

## O-Ring Maintenance

Through the normal operation of your pressure washer, o-rings, which keep the connections of the hoses and spray gun tight and leak-free, may become worn or damaged.

An O-Ring Maintenance Kit is provided with your pressure washer which includes replacement o-rings, rubber washer and water inlet filter. Refer to the instruction sheet provided in the kit to service your unit's o-rings. Note that not all of the parts in the kit will be used on your unit.

To remove a worn or damaged o-ring; use a small flathead screwdriver to get underneath the o-ring and pry it off.

## Pump Maintenance

### Changing Pump Oil

Change oil after first 50 hours of operation and then every 200 hours or 3 months, whichever occurs first.




**NOTE:** When changing pump oil, use only high quality nondetergent 30 weight oil. Use no special additives.

**Change pump oil as follows:**

1. Clean area around brass oil drain plug at bottom of pump.
2. Remove oil drain plug. Drain oil completely into an approved container.
3. When oil has completely drained, install oil drain plug and tighten firmly.
4. Clean area around pump oil dipstick. Remove dipstick and fill pump with recommended oil to "Full" mark on dipstick.
5. Install pump oil dipstick.
6. Wipe up any spilled oil.

## ENGINE MAINTENANCE

See the engine owner's manual for instructions on how to properly maintain the engine.

 <b>CAUTION</b>
Avoid prolonged or repeated skin contact with used motor oil.
<ul style="list-style-type: none"> <li>• Used motor oil has been shown to cause skin cancer in certain laboratory animals.</li> <li>• Thoroughly wash exposed areas with soap and water.</li> </ul>



KEEP OUT OF REACH OF CHILDREN. DON'T POLLUTE. CONSERVE RESOURCES. RETURN USED OIL TO COLLECTION CENTERS.

## PREPARING THE UNIT FOR STORAGE

Water should not remain in the unit for long periods of time. Sediments or minerals can deposit on pump parts and "freeze" pump action. If you do not plan to use the pressure washer for more than 30 days, follow this procedure:

1. Flush chemical injection hose by placing filter into a pail of clean water while running pressure washer in low pressure mode. Flush for one to two minutes.
2. Shut off engine and let it cool, then remove high pressure and garden hoses. Disconnect spark plug wire from spark plug.

3. Empty pump of liquids by pulling engine recoil handle about 6 times. This should remove most liquid from pump.
4. Use pump saver to prevent corrosion build up and freezing of pump.
5. Store unit in a clean, dry area.

## Protecting the Pump

To protect the pump from damage caused by mineral deposits or freezing, use PumpSaver to treat pump. This prevents freeze damage and lubricates pistons and seals.

<b>CAUTION</b>
You must protect your unit from freezing temperatures.
<ul style="list-style-type: none"> <li>• Failure to do so will permanently damage your pump and render your unit inoperable.</li> <li>• Freeze damage is not covered under warranty.</li> </ul>

 <b>CAUTION</b>
Read and follow all cautions and warnings on the PumpSaver can label.
<ul style="list-style-type: none"> <li>• Always wear eye protection when using PumpSaver.</li> </ul>

**NOTE:** PumpSaver is available as an optional accessory. It is not included with the pressure washer. Contact the nearest authorized service center to purchase PumpSaver.

To use PumpSaver, make sure the pressure washer is turned off and disconnected from supply water. Read and follow all instructions and warnings given on the PumpSaver container.

**NOTE:** PumpSaver will drip from pump after treatment and will stain wood and concrete.

**NOTE:** If PumpSaver is not available, draw RV antifreeze (non-alcohol) into the pump by pouring the solution into a 3-foot section of garden hose connected to inlet adapter and pulling recoil handle twice.

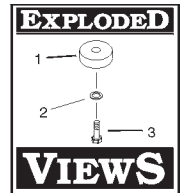
## STORING THE ENGINE

See the engine owner's manual for instructions on how to properly prepare the engine for storage.

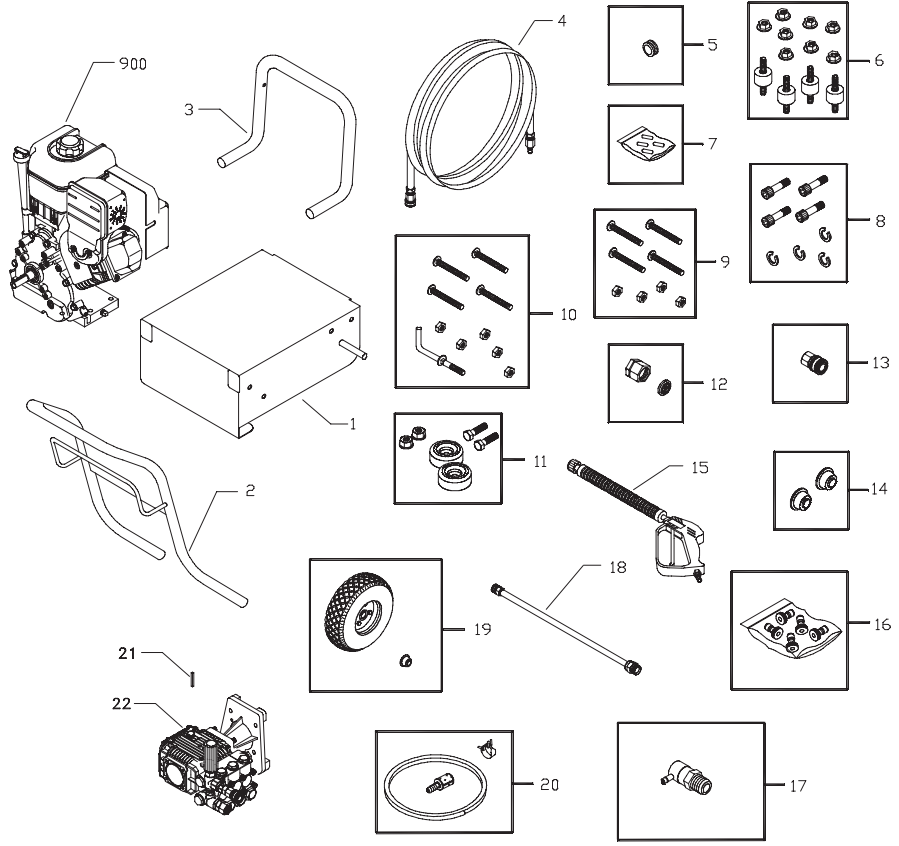


## TROUBLESHOOTING

Problem	Cause	Correction
<p><b>Pump has following problems: failure to produce pressure, erratic pressure, chattering, loss of pressure, low water volume.</b></p>	<ol style="list-style-type: none"> <li>1. Low pressure spray tip installed.</li> <li>2. Water inlet is blocked.</li> <li>3. Inadequate water supply.</li> <li>4. Inlet hose is kinked or leaking.</li> <li>5. Clogged inlet hose strainer.</li> <li>6. Water supply is over 100°F.</li> <li>7. High pressure hose is blocked or leaks.</li> <li>8. Gun leaks.</li> <li>9. Spray tip is obstructed.</li> <li>10. Pump is faulty.</li> </ol>	<ol style="list-style-type: none"> <li>1. Replace spray tip with high pressure spray tip.</li> <li>2. Clear inlet.</li> <li>3. Provide adequate water flow.</li> <li>4. Straighten inlet hose, patch leak.</li> <li>5. Check and clean inlet hose strainer.</li> <li>6. Provide cooler water supply.</li> <li>7. Clear blocks in outlet hose.</li> <li>8. Replace gun.</li> <li>9. Clean spray tip.</li> <li>10. Contact authorized service facility.</li> </ol>
<p><b>Detergent fails to mix with spray.</b></p>	<ol style="list-style-type: none"> <li>1. Detergent siphoning tube is not submerged.</li> <li>2. Chemical filter is clogged or cracked.</li> <li>3. Dirty in-line filter.</li> <li>4. High pressure spray tip installed.</li> </ol>	<ol style="list-style-type: none"> <li>1. Insert detergent siphoning tube into detergent.</li> <li>2. Clean or replace filter/detergent siphoning tube.</li> <li>3. See "Check In-Line Filter".</li> <li>4. Replace spray tip with low pressure spray tip.</li> </ol>
<p><b>Engine shuts down during operation.</b></p>	<p>Out of gasoline.</p>	<p>Fill fuel tank.</p>



## EXPLODED VIEW AND PARTS LIST — MAIN UNIT

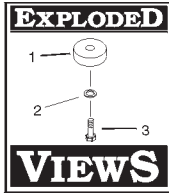


Item	Part #	Description	Item	Part #	Description
1	B192991GS	BASE	13	95458GS	CONNECT, Quick
2	CB3861BGS	HANDLE	14	194062GS	KIT, Pushnuts
3	BB4105GS	BUMPER	15	B1436BGS	GUN
4	B4805GS	HOSE	16	B4847GS	KIT, Spray Tips
5	30809GS	GROMMET	17	195016GS	RELIEF, Thermal
6	192134GS	KIT, Engine Mounting Hardware	18	190779GS	KIT, Extension
7	192126GS	KIT, Vinyl Cap	19	192526GS	KIT, Wheel
8	192132GS	KIT, Pump Mounting Hardware	20	192796GS	KIT, Chemical Hose/Filter
9	B4196GS	KIT, Handle Hardware	21	63281GS	KEY
10	192910GS	KIT, Bumper Mounting Hardware	22	195081GS	ASSY, Pump (see page 17)
11	192553GS	KIT, Vibration Mount	900	NSP	ENGINE
12	194004GS	KIT, Garden Hose Inlet			

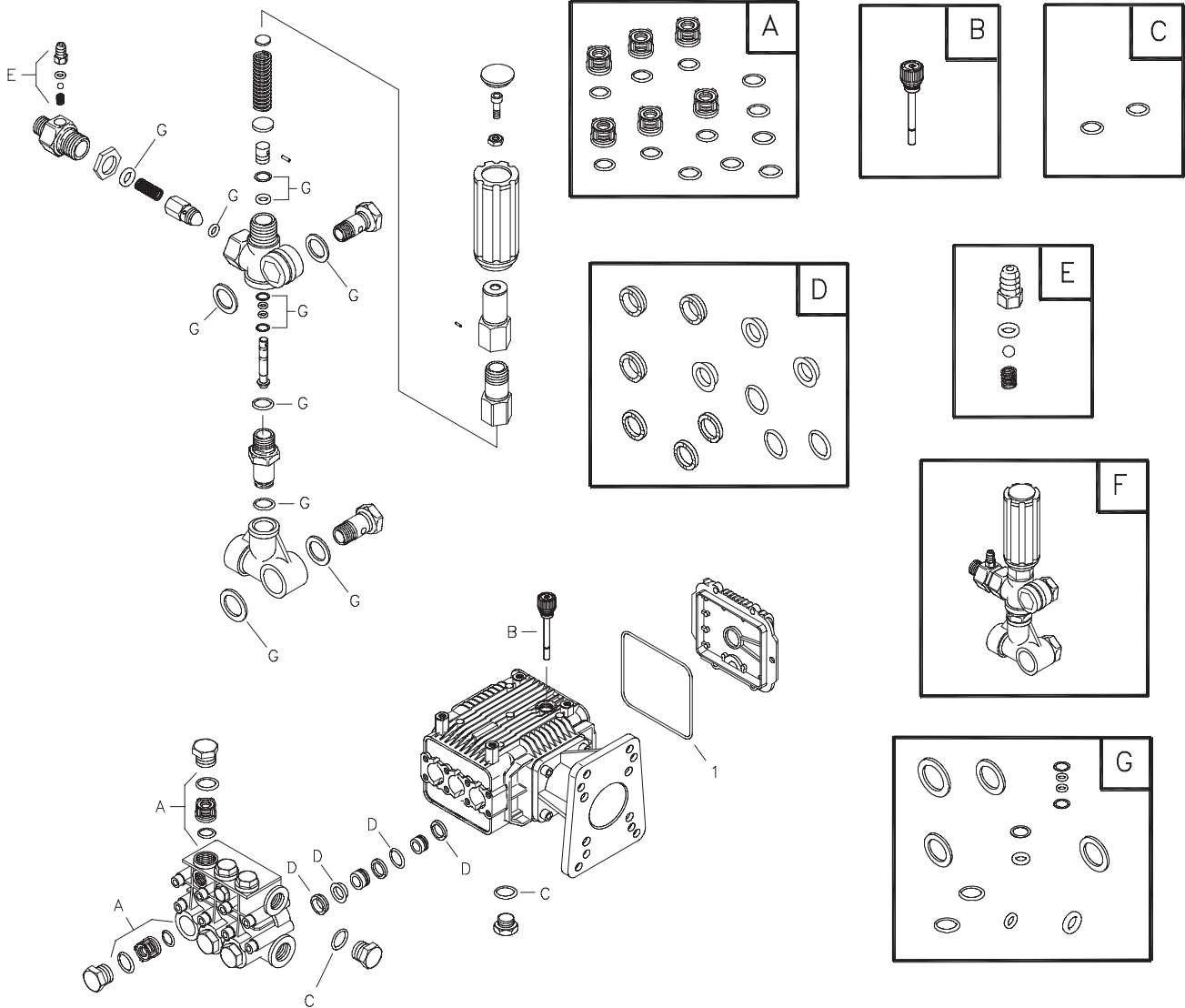
**Items Not Illustrated:**

Part #	Description
194867GS	MANUAL, Owner's
MS5242	MANUAL, Engine
195071GS	KIT, Decals
BB3061GS	OIL, Engine
191922GS	KIT, O-RING MAINT & NZZL CLNNG





## EXPLODED VIEW AND PARTS LIST — PUMP



Item	Part #	Description
I	116B2126GS	OIL SEAL, Square
A	193955GS	KIT, Valve
B	11287628PGS	OIL CAP/DIPSTICK
C	10387628PGS	O-RING
D	193956GS	KIT, Support Ring & Seals
E	193724GS	KIT, Hose Tail
F	153B2126GS	UNLOADER, Complete
G	250B2327GS	KIT, O-Rings, Unloader

**NOTE:** Item letters A - G are service kits and include all parts shown within the box.



## TABLE DES MATIÈRES

Règles de Sécurité.....	18-20
Connaissez Votre Pulvérisateur.....	21
Assemblage.....	22-23
Opération.....	24-26
Caractéristiques du Produit.....	27
Entretien.....	27-29
Rangement.....	29
Dépannage.....	30
Pièces de Rechange.....	16-17
Garantie.....	31

## DESCRIPTION DE L'ÉQUIPEMENT



Lisez avec soin ce manuel et familiarisez-vous avec votre pulvérisateur à pression. Connaissez ses applications, ses limitations et les dangers qu'il implique.

Ce manuel contient l'information relative à un pulvérisateur haute pression qui fonctionne à 3,400 livres par pouces carrés, à un débit de 4,0 gallons par minute. Ce système de très grande qualité, destiné aux particuliers est doté de pompe axiale pour came avec des pistons en acier inoxydable, d'un système de refroidissement automatique, d'un système d'injection de produits chimiques, d'un rallonge de gicleur avec accessoire de branchement rapide et 5 gicleurs multicolores à branchement rapide. Il inclut des lunettes de sécurité, un tuyau robuste de 50 pi. et plus encore.

Tout a été mis en oeuvre pour que les informations contenues dans ce manuel soient exactes et à jour. Cependant, nous se réserve le droit de changer, d'altérer ou d'améliorer le produit à n'importe quel moment sans avis préalable.

Dans l'état de Californie un pare-étincelles est requis par la loi (section 4442 du Code des ressources publiques de Californie). D'autres états ont des lois similaires. Les lois fédérales s'appliquent aux terres fédérales. Si vous équipez le silencieux d'un pare-étincelles, il doit être en bon état de fonctionnement.

## RÈGLES DE SÉCURITÉ



Ceci est la sûreté le symbole vif. Il est utilisé pour vous alerter aux dangers de blessure personnels potentiels. Obéir tous messages de sûreté qui suivent ce symbole éviter la blessure ou la mort possibles.

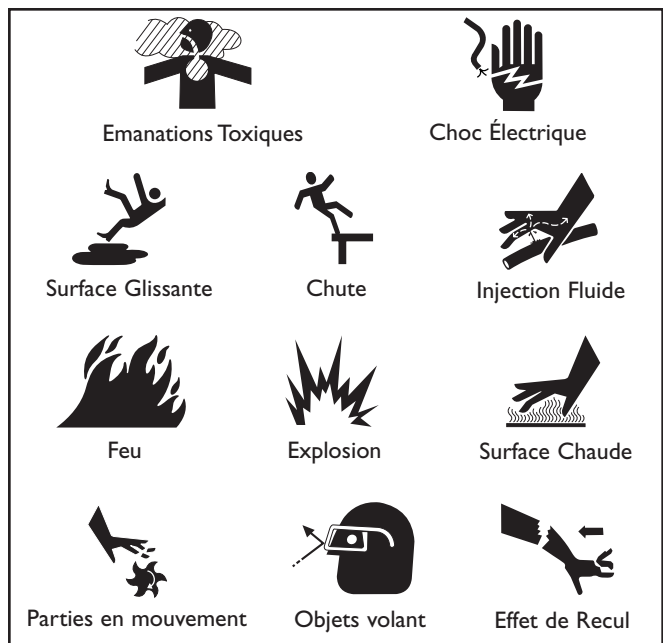
Le symbole indiquant un message de sécurité (▲) est accompagné d'un mot indicateur (DANGER, ATTENTION, AVERTISSEMENT), d'un message illustré et/ou d'un message de sécurité visant à vous avertir des dangers. **DANGER** indique un danger qui, s'il n'est pas évité, *provoquera* des blessures graves, voire fatales. **AVERTISSEMENT** indique un danger qui, s'il n'est pas évité, *peut* provoquer des blessures graves, voire fatales. **ATTENTION** indique un danger qui, s'il n'est pas évité, *peut* provoquer des blessures mineures ou légères. Le mot **ATTENTION**, lorsqu'il est utilisé sans le symbole d'alerte, indique une situation pouvant endommager l'équipement. Suivez les messages de sécurité pour éviter ou réduire les risques de blessures ou de mort.



### AVERTISSEMENT

L'échappement du moteur de ce produit contient des produits chimiques que l'État de Californie considère comme causant le cancer, des déformations à la naissance ou d'autres dangers concernant la reproduction.

## Symboles de Danger et Moyens





### ⚠ DANGER



Le pulvérisateur, lorsqu'il fonctionne, produit du monoxyde de carbone, un gaz toxique inodore et incolore.

Certains produits chimiques ou détergents peuvent être nocifs s'ils sont inhalés ou ingérés, provoquant des nausées graves, des évanouissements ou des empoisonnements.

Le fait de respirer du monoxyde de carbone provoque des nausées, des évanouissements ou peut être fatal.

- Faites fonctionner le pulvérisateur SEULEMENT à l'extérieur.
- Utilisez un appareil respiratoire ou un masque lorsqu'il y a des risques d'inhalation des vapeurs.
- Lisez toutes les instructions qui accompagnent le masque pour être certain qu'il vous protégera de façon efficace contre l'inhalation des vapeurs nocives.

### ⚠ AVERTISSEMENT



Le contact de pulvérisation avec l'installation électrique peut résulter dans l'électrocution.

- Éloignez le jet d'eau des câbles électriques; cela risquerait de provoquer des électrocutions.

### ⚠ AVERTISSEMENT



Usage de pression peut créer puddles et glissant.

Le jet à haute pression risque également de vous faire tomber si vous êtes trop proche de la surface à nettoyer.



- Pour nettoyer de façon plus efficace, tenez le gicleur à une distance de 8 à 24 pouces de la surface à nettoyer.
- Faites fonctionner et rangez cet appareil sur une surface stable.
- La surface à nettoyer doit être inclinée et équipée d'écoulements afin de réduire la possibilité de chutes dues aux surfaces glissantes.
- Soyez extrêmement prudent si vous devez utiliser le pulvérisateur sur une échelle, un échafaudage ou tout autre endroit relativement instable.
- Fermez le fusil de pulvérisation de compréhension avec les deux mains en utilisant l'haute pulvérisation de pression pour éviter la blessure si le fusil donne un coup de pied le dos.

### ⚠ AVERTISSEMENT



L'essence et ses vapeurs sont extrêmement inflammables et explosives.



Le feu ou l'explosion risque de provoquer des blessures graves, pouvant être fatales.

#### LORSQUE VOUS AJOUTEZ DU CARBURANT

- Éteignez le pulvérisateur et laissez-le refroidir au moins 2 minutes avant de retirer le capuchon du réservoir de carburant.
- Remplissez toujours le réservoir à essence à l'extérieur.
- NE remplissez PAS trop le réservoir. Laissez espace pour l'expansion de l'essence.
- Éloignez l'essence des étincelles, des flammes, des veilleuses, de la chaleur et de toute autre source d'inflammation.
- N'allumez PAS de cigarette ou ne fumez pas à proximité de l'appareil.

#### LORSQUE L'ÉQUIPEMENT FONCTIONNE

- NE penchez PAS le moteur ou l'équipement, vous risqueriez de renverser de l'essence.
- NE vaporisez PAS de liquides inflammables.

#### LORSQUE VOUS TRANSPORTEZ OU RÉPAREZ L'ÉQUIPEMENT

- Transportez ou réparez l'appareil lorsque le réservoir d'essence est VIDE, ou lorsque la soupape d'arrêt d'essence est FERMÉE.

#### LORSQUE VOUS ENTREPOSEZ L'ESSENCE OU UN ÉQUIPEMENT AVEC UN RÉSERVOIR À ESSENCE

- Entrez-le loin des appareils de chauffage, des fours, des chauffe-eau, des sècheuses ou de tout autre appareil électroménager disposant d'une veilleuse ou de toute autre source d'inflammation risquant d'enflammer les vapeurs d'essence.

### ⚠ AVERTISSEMENT



Le jet d'eau sous pression produit par cet équipement peut percer la peau et les tissus sous-jacents, risquant de provoquer des blessures graves pouvant mener à une amputation.

- N visez JAMAIS des personnes, des animaux ou des plantes avec le pistolet pulvérisateur.
- N'autorisez JAMAIS des ENFANTS à se servir du pulvérisateur.
- NE réparez JAMAIS les tuyaux à haute pression. Remplacez.



**AVERTISSEMENT**

 Les moteurs en marche produisent de la chaleur et des gaz d'échappement chauds. La température du silencieux et des surfaces environnantes peuvent atteindre et dépasser 65°C (150°F).

 Un incendie ou des blessures graves peuvent survenir.

- NE touchez PAS les surfaces chaudes.
- NE PAS s'approcher des gaz d'échappement.
- NE JAMAIS déplacer l'équipement lorsqu'il est en fonction.
- Laissez l'équipement refroidir avant de le toucher.

**AVERTISSEMENT**

 Démarreur et autres tournantes peut empêtrer mains, cheveux, vêtement, ou accessoires.



- NE portez PAS de vêtements lâches, de bijoux ou tout ce qui risquerait d'être pris dans le démarreur ou toute autre pièce rotative.
- Embouteiller des cheveux longs et enlève la bijouterie.

**AVERTISSEMENT**

 Les jets à haute pression risquent de faire voler des éclats de peinture ou d'autres particules.

- Protégez toujours vos yeux lorsque vous utilisez cet équipement ou lorsque vous êtes à proximité de quelqu'un qui l'utilise.

**AVERTISSEMENT**

  Unintentional peut résulter dans feu ou électrique.

**LORSQUE VOUS RÉGLEZ OU RÉPAREZ VOTRE PULVÉRISATEUR À PRESSION**

- Débranchez toujours le câble de bougie et placez-le de façon à ce qu'il ne soit pas en contact avec la bougie.

**ATTENTION**

En faisant fonctionner le moteur à des vitesses excessives, vous augmentez les risques de blessures.

- NE trafiquez PAS vitesse régulée.
- NE faites PAS fonctionner le pulvérisateur à une pression supérieure à la pression nominale.

**ATTENTION**

Le nettoyeur à haute pression produit un jet à haute pression qui augmente les risques de blessures et de dommages à l'appareil.

- NE verrouillez PAS le pistolet de pulvérisation dans la position ouverte.
- NE laissez PAS le pistolet de pulvérisation sans surveillance alors que l'appareil est en marche.
- N'utilisez JAMAIS un pistolet de pulvérisation qui n'est pas muni d'un verrou d'arme ou d'un pontet installé et en ordre de marche.
- Assurez-vous toujours que le pistolet de pulvérisation, les buses et les accessoires sont bien fixés.

**ATTENTION**

Le jet à haute pression risque d'endommager les articles fragiles comme le verre.

- NE pointez PAS le pistolet pulvérisateur sur du verre lorsqu'il est en mode pulvérisation.
- N visez JAMAIS des plantes avec le pistolet pulvérisateur.

**ATTENTION**

Le traitement inadéquat du nettoyeur à haute pression peut l'endommager et réduire sa durée de vie utile.

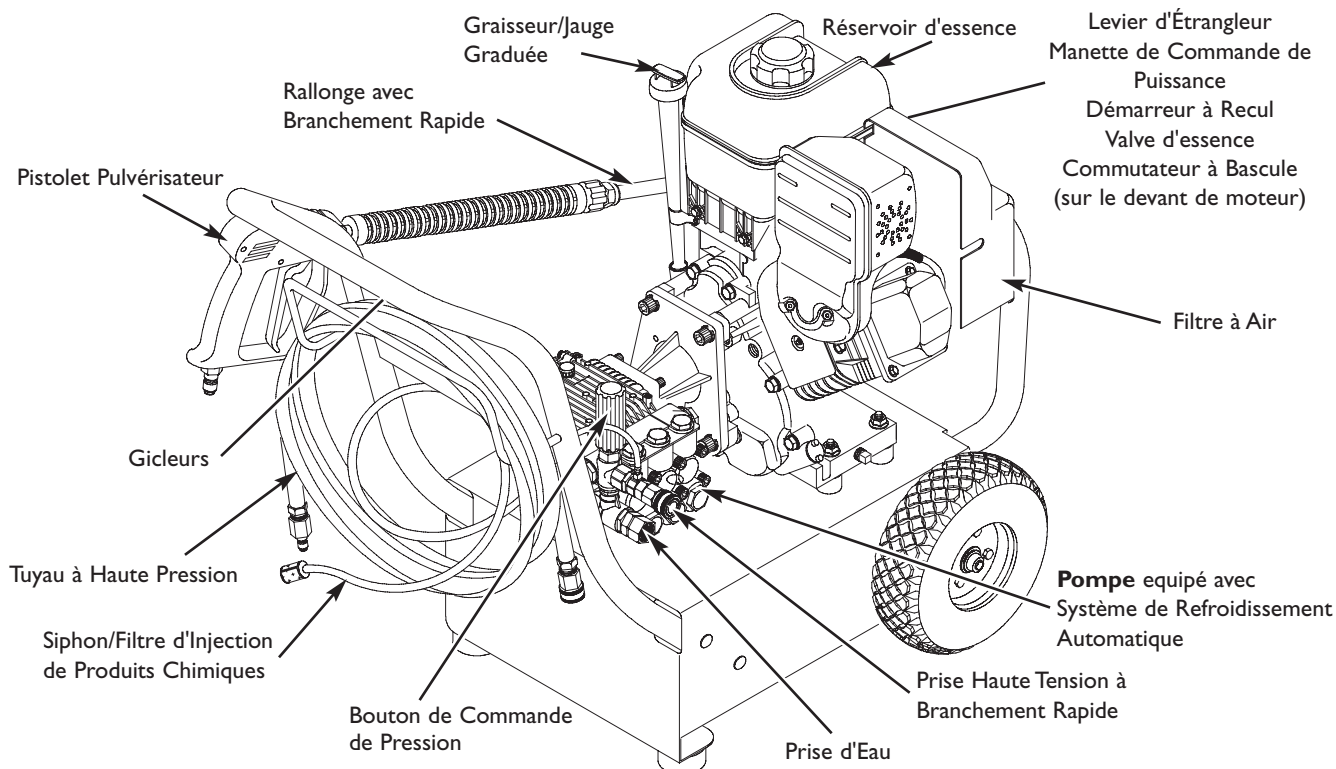
- Si vous avez des questions à propos de l'utilisation prévue de cet appareil, consultez votre détaillant ou communiquez avec Briggs & Stratton Power Products.
- N'utilisez JAMAIS un appareil ayant des pièces brisées ou manquantes ou sans bâti ou couvercles protecteurs.
- NE neutralisez AUCUN dispositif de sécurité de cette machine.
- Par temps froid, avant de démarrer le nettoyeur à haute pression, vérifiez-en tous les éléments pour vous assurer qu'aucune glace ne s'y est formée.
- N'utilisez JAMAIS le tuyau à haute pression comme poignée pour déplacer l'appareil. Utilisez toujours la poignée de l'appareil.
- Vérifiez la présence de fuites ou les signes de détérioration du système de combustible, comme un tuyau usé ou spongieux, des brides de serrage desserrées ou manquantes, ou un réservoir ou un bouchon endommagé. Réparez toutes les déficiences avant d'utiliser le nettoyeur à haute pression.
- Cet appareil est conçu pour être utilisé uniquement avec des pièces Briggs & Stratton Power Products approuvées. Si l'appareil est utilisé avec des pièces qui NE sont PAS conformes aux caractéristiques minimales, tous les risques et responsabilités incomberont à l'utilisateur.



## CONNAÎTRE VOTRE PULVÉRISATEUR À PRESSION

Lisez ce manuel d'utilisation ainsi que les règles de sécurité avant de faire fonctionner votre pulvérisateur à pression.

Comparez les illustrations avec votre pulvérisateur à haute pression pour vous familiariser avec l'emplacement des différents boutons et réglages. Conservez ce manuel pour référence ultérieure.



**Bouton de commande de pression** - Modifie la pression du jet à haute pression.

**Commutateur à bascule** - Placez ce commutateur sur la position "**Marche**" avant d'utiliser le démarrage à recul. Placez le commutateur sur "**Arrêt**" pour ARRÊTER le moteur.

**Démarrreur à recul** - Utilisé pour démarrer le moteur manuellement.

**Filtre à air** - Filtre de type sec qui limite la quantité de poussières et de saletés dans le moteur.

**Gicleurs** - Injection de produits chimiques, 0°, 15°, 25° et 40°: pour différentes applications de nettoyage à haute pression.

**Graisseur/jauge graduée** - Vérifiez le niveau d'huile et faites le plein d'huile à cet endroit.

**Levier d'étrangleur** - Prépare un moteur froid pour le démarrage.

**Manette de commande de puissance** - Règle le moteur en mode démarrage pour le démarrage à recul et arrête un moteur qui tourne.

**Pistolet pulvérisateur** - Contrôle l'application de l'eau sur la surface à nettoyer grâce à une gâchette. Comprend un verrou de sécurité.

**Pompe** - Développe une pression élevée.

**Prise d'eau** - Branchement pour le tuyau d'arrosage.

**Prise haute tension à branchement rapide** - Pour brancher le tuyau à haute pression.

**Rallonge avec branchement rapide** - Vous permet de basculer entre quatre différents gicleurs.

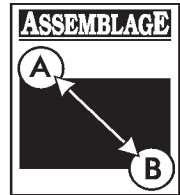
**Réservoir d'essence** - Remplissez le réservoir avec de l'essence ordinaire sans plomb. Laissez toujours de la place pour l'expansion de l'essence.

**Siphon/filtre d'injection de produits chimiques** - Utilisé pour vidanger les produits détergents ou tout autre produit chimique du pulvérisateur dans le jet d'eau à basse pression.

**Système de refroidissement automatique** - Fait circuler l'eau dans la pompe lorsqu'elle atteint 125° à 155°F. L'eau chaude s'écoulera de la pompe sur le sol. Ce système empêche la pompe interne de s'abîmer.

**Tuyau à haute pression** - Branchez l'une des extrémités à la pompe à eau et l'autre au pistolet pulvérisateur.

**Valve d'essence** - Utilisée pour ouvrir ou fermer l'arrivée d'essence du moteur.



## ASSEMBLAGE

**IMPORTANT:** Lisez entièrement le manuel d'utilisation avant d'essayer d'assembler ou de faire fonctionner votre nouveau pulvérisateur.

### Déballer le Pulvérisateur du Carton

- Enlevez la sac de pièces, accessoires et insertions qui accompagne le pulvérisateur.
- Découpez de haut en bas deux angles à l'extrémité du carton, de façon à ce que le panneau se replie à plat.
- Enlevez le pulvérisateur de la boîte.

### Contenu du Carton

**Les Articles dans le Carton sont les Suivants:**

- Appareil principal
- Lunettes de sécurité
- Poignée
- Tuyau à haute pression
- Pistolet pulvérisateur avec branchement rapide
- Rallonge de gicleur avec branchement rapide
- Bouteille d'huile
- Sac de pièces (comprend les pièces suivantes):
  - Trousse d'entretien
  - Manuel d'utilisation
  - Manuel du moteur
  - Sac contenant 5 gicleurs multicolores à branchement rapide
  - Éléments pour la poignée, comprenant 4 boulons et 4 écrous à ailettes

Si certaines des pièces énumérées ci-dessus sont manquantes ou endommagées, appelez la ligne d'assistance pour les pulvérisateurs au **1-800-743-4115**.

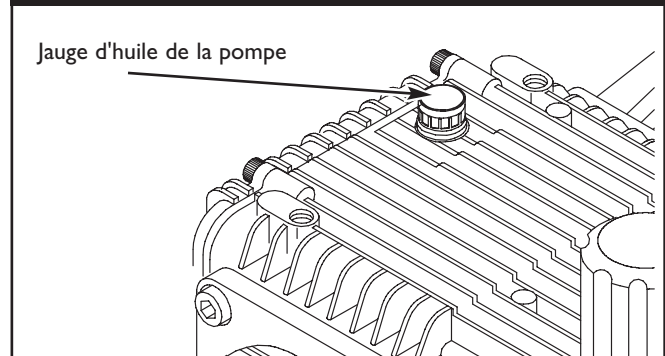
## PRÉPARER VOTRE PULVÉRISATEUR POUR L'UTILISATION

Si vous avez des problèmes au cours de l'assemblage de votre pulvérisateur ou si certaines pièces sont manquantes ou endommagées, appelez la ligne d'assistance pour les pulvérisateurs au **1-800-743-4115**.

**Pour préparer votre pulvérisateur, vous devrez effectuer les tâches suivantes:**

1. Fixez la poignée à l'appareil principal.
2. Vérifiez si la jauge d'huile a été installée dans la pompe (Figure 12).

Figure 12 — Jauge d'Huile de la Pompe



3. Ajoutez de l'huile au carter du moteur.
4. Ajoutez de l'essence dans le réservoir.
5. Branchez le tuyau à haute pression au pistolet pulvérisateur et à la pompe.
6. Branchez la source d'alimentation d'eau à la pompe.
7. Fixez la rallonge du gicleur au pistolet pulvérisateur.
8. Choisissez et fixez le gicleur à raccord rapide sur la rallonge.

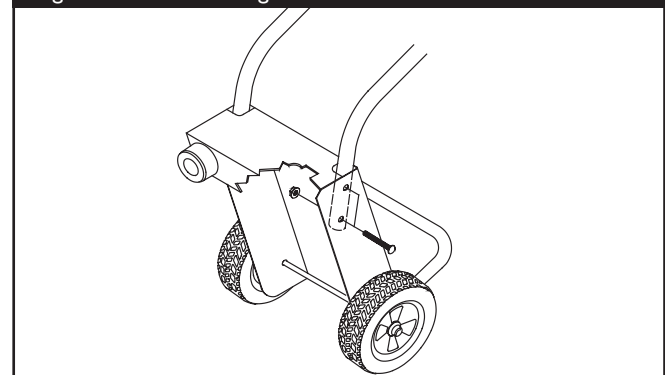
### Fixer la Poignée sur le Pulvérisateur

Utilisez soit une clé de 13 mm, soit une clé à molette pour fixer la poignée sur le pulvérisateur.

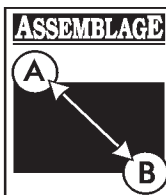
**Pour fixer la poignée sur le pulvérisateur:**

1. Renversez lentement le pulvérisateur vers l'avant et laissez-le reposer sur butoir avant.
2. Alignez les trous situés sur la poignée avec les trous de la base.
3. Insérez les boulons qui vous ont été fournis pour fixer la poignée en place (Figure 13).

Figure 13 - Fixer la Poignée sur le Pulvérisateur



4. Fixez la poignée sur le pulvérisateur à l'aide des quatre écrous à ailettes qui vous ont été fournis.
5. Remettez le pulvérisateur en place et insérez les gicleurs multicolores dans les espaces conçus à cet effet sur la poignée.



## Ajouter de l'Huile à Moteur et du Combustible

- Mettre le pulvérisateur sur une surface à niveau.

### ATTENTION

Toute tentative de démarrer le moteur sans qu'il ait été rempli avec l'huile recommandée entraînera une panne de l'équipement..

- Reportez-vous au manuel d'utilisation du moteur au sujet de l'huile et du combustible.
- La garantie sera annulée si des dommages à l'équipement sont entraînés par le manquement à se conformer à cette directive.
- Reportez-vous au manuel d'utilisation du moteur et suivez les directives et les recommandations relatives à l'huile et au combustible.

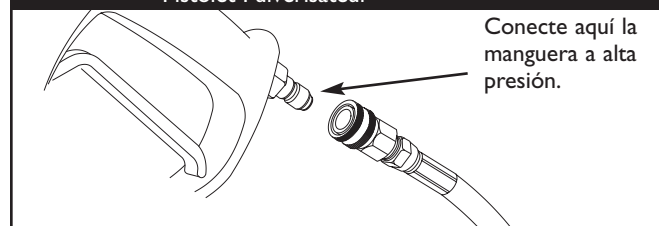
**REMARQUE:** Vérifiez souvent l'huile lors du rodage du moteur. Consultez les recommandations contenues dans le manuel d'utilisation du moteur.

## Raccorder le Tuyau et la Source D'eau à la Pompe

**IMPORTANT:** Vous devez attacher tous les tuyaux avant de démarrer le moteur. Si vous démarrez le moteur sans que tous les tuyaux soient raccordés et sans arrivée d'eau, vous risquez d'endommager la pompe.

1. Déroulez le tuyau à haute pression et fixez une extrémité à raccord rapide au tuyau situé à la base du pistolet pulvérisateur (Figure 14). Tirez sur le collier du raccord rapide, glissez-le sur le pistolet et lâchez-le. Tirez sur le tuyau pour voir s'il est bien fixé.

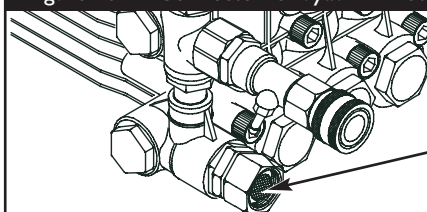
Figure 14 — Connecter l'Haut Tuyau de Pression pour Pistolet Pulvérisateur



**REMARQUE:** Enlevez et jetez tous les bouchons d'expédition de la pompe avant de fixer les boyaux.

2. Fixez l'autre extrémité du tuyau à haute pression à la prise haute pression sur la pompe. Tirez sur le collier du raccord rapide, glissez-le sur la pompe et lâchez-le. Tirez sur le tuyau pour voir s'il est bien fixé.
3. Avant de brancher votre tuyau d'arrosage à la prise d'eau, inspectez la grille d'entrée (Figure 15). Nettoyez la grille si elle contient des débris, remplacez-la si elle est endommagée. **NE VOUS SERVEZ PAS DU PULVÉRISATEUR SI LA GRILLE EST ENDOMMAGÉE.**

Figure 15 — Connecter le Tuyau d'Arrosage à la Prise d'Eau



4. Faites couler de l'eau dans le tuyau d'arrosage pendant 30 secondes pour nettoyer tous les débris. Fermez le robinet d'eau.

**IMPORTANT:** Ne siphonnez pas de l'eau stagnante pour vous en servir. Utilisez SEULEMENT de l'eau froide (à moins de 100°F).

5. Connectez le tuyau d'arrosage à la prise d'eau. Serrez manuellement (Figure 15).

### ATTENTION

Il **DOIT** y avoir au moins dix pieds de tuyau d'arrosage entre la prise du pulvérisateur et le robinet d'arrêt de l'eau, par exemple un connecteur en "Y" ou tout autre valve d'arrêt de l'eau.

- Les dommages infligés au pulvérisateur par suite de ne pas avoir respecté cette consigne, ne seront pas couverts par la garantie.

6. **OUVREZ** le robinet d'eau et appuyez sur la gâchette du pistolet pulvérisateur afin de purger l'air et les impuretés du système de la pompe.



### AVERTISSEMENT



Les jets à haute pression risquent de faire voler des éclats de peinture ou d'autres particules.

- Protégez toujours vos yeux lorsque vous utilisez cet équipement ou lorsque vous êtes à proximité de quelqu'un qui l'utilise.
- Avant de démarrer le pulvérisateur, assurez-vous de protéger vos yeux de façon appropriée.

## Liste de Vérifications Avant de Démarrer le Moteur

Examinez l'assemblage de l'appareil pour confirmer que vous avez effectué tout ce qui suit:

1. Assurez-vous que la poignée est en place et bien fixée.
2. Assurez que la jauge d'huile est installé sur la pompe.
3. Vérifiez que les connexions du tuyau sont correctement serrées (haute pression et eau) et qu'il n'y ait pas de coude, de coupures ou d'endroits abîmés.
4. Vérifiez qu'il y a de l'huile dans le carter, jusqu'au niveau approprié.
5. Ajoutez de l'essence dans le réservoir.
6. Fournissez de l'eau à une cadence appropriée.
7. Assurez-vous d'avoir lu les "Règles de Sécurité" et "Comment utiliser Votre Pulvérisateur" avant de l'utiliser.

## COMMENT UTILISER VOTRE PULVÉRISATEUR

Si vous avez des problèmes à faire fonctionner votre pulvérisateur, n'hésitez pas à appeler le service d'assistance au **1-800-743-4115**.

### Mettre Votre Pulvérisateur en Marche

Pour démarrer votre pulvérisateur la première fois, suivez ces instructions pas à pas. Cette information qui vous aide à mettre votre pulvérisateur en marche s'applique également s'il est resté sans fonctionner pendant au moins une journée.

1. Placer la rondelle de pression près d'un hors de la source d'eau capable d'alimentation d'eau à un taux de flux plus grand que 5.0 gallons par la minute et aucun moins que 20 PSI à la fin de rondelle de pression du tuyau de jardin.
2. Vérifiez que le tuyau à haute pression est bien serré sur le pistolet pulvérisateur et sur la pompe. Consultez les illustrations de la rubrique "Préparer Votre Pulvérisateur pour l'Utilisation".
3. Vérifiez que l'appareil est en position horizontale.
4. Branchez le tuyau d'arrosage à la source d'eau sur la pompe du pulvérisateur. **OUVREZ le robinet d'eau.**

### ATTENTION

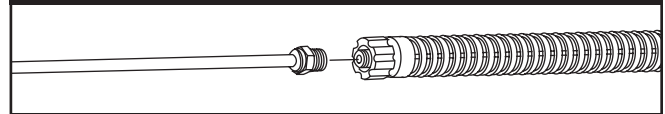
**NE faites PAS marcher la pompe sans que le nettoyeur à haute pression soit connecté à la source d'eau ouverte.**

- Vous devez suivre cet avertissement, au risque d'endommager la pompe.

5. Serrez la gâchette sur le pistolet jusqu'à ce que vous obteniez un débit d'eau régulier. Cela purgera la pompe de l'air et des impuretés.

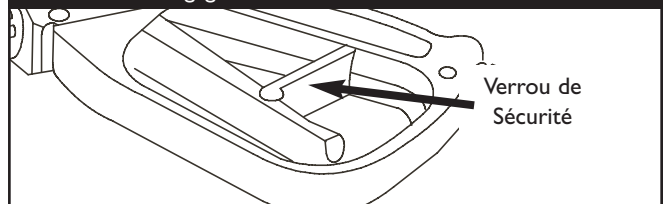
6. Fixez la rallonge du gicleur au pistolet pulvérisateur (Figure 16). Serrez manuellement.

Figure 16 — Fixez la Rallonge du Gicleur au Pistolet Pulvérisateur



7. Choisissez le gicleur que vous désirez utiliser et insérez-le dans la rallonge. Voir la rubrique "Comment Utiliser les Gicleurs".
8. Engagez le verrou de sécurité de la gâchette du pistolet pulvérisateur (Figure 17).

Figure 17 — Pistolet Pulvérisateur avec le Verrou de Sécurité Engagé



9. Pour démarrer le moteur, suivez les instructions qui figurent dans le manuel d'utilisation. Consultez aussi l'étiquette d'instructions d'utilisation située sous le nettoyeur à haute pression.



### ATTENTION

Éviter les blessures causées par l'effet de recul.

- Lors du démarrage du moteur, tirez lentement sur la corde jusqu'à ce que vous sentiez une résistance et tirez alors rapidement afin d'éviter un effet de recul.
- Si le moteur démarre et qu'il ne continue pas à fonctionner ou si une résistance accrue est sentie au cours des tentatives de démarrage, appuyez sur la détente du pistolet de pulvérisation.

**REMARQUE:** Toujours garder l'étrangleur le levier dans le "Rapide" la position en opérant la pulvérisateur.

### Comment Arrêter Votre Pulvérisateur

1. Attendez que le moteur se repose.
2. Pour éteindre le moteur, suivez les instructions qui figurent dans le manuel d'utilisation.
3. **Appuyez sur la gâchette du pistolet pulvérisateur pour faire sortir la pression du tuyau.**

**REMARQUE:** Une petite quantité d'eau s'échappe lorsque vous relâchez la pression.





## Comment Utiliser les Gicleurs

Le raccord rapide de la rallonge de gicleur vous permet de choisir entre cinq différents gicleurs. Les gicleurs varient selon la forme du jet, tel qu'illustré ci-dessous (Figure 18).



### AVERTISSEMENT

Les nettoyeurs à haute pression produisent un jet à haute pression qui accroît les risques de blessures et de dommages à l'appareil.

- Ne changez jamais les gicleurs sans fermer le verrou de la gâchette.

### Suivez ces instructions pour changer de gicleur:

1. Engagez le verrou du pistolet pulvérisateur.
2. Faites reculer le collier sur le raccord rapide et retirez le gicleur en place.
3. Choisissez la buse désirée:
  - Si vous voulez effectuer un rinçage plus délicat, sélectionnez le gicleur blanc 40° ou vert 25°.
  - Pour récurer la surface, sélectionnez le gicleur jaune 15° ou rouge 0°.
  - Pour pulvériser des produits chimiques, sélectionnez le gicleur noir.
4. Tirez le collier en arrière, insérez le nouveau gicleur et relâchez le collier. Tirez sur le gicleur pour vérifier s'il est bien fixé.
5. Pour nettoyer efficacement, tenir le gicleur à une distance de 8 à 24 pouces de la surface à nettoyer. NE vous approchez pas à plus de 6 pouces lorsque vous nettoyez des pneus.

## Nettoyer avec des Produits Chimiques et les Appliquer

**IMPORTANT:** Utilisez des savons conçus spécialement pour les pulvérisateurs. Les produits détergents ménagers risquent d'endommager la pompe.

### ATTENTION

Vous devez attacher tous les tuyaux avant de démarrer le moteur.

- Si vous démarrez le moteur sans que tous les tuyaux soient branchés et sans que l'eau soit OUVRETE, vous allez abîmer la pompe.

### Pour appliquer des produits détergents, procédez comme suit:

1. Consultez la rubrique traitant des gicleurs.
2. Préparez une solution détergente comme requis par le fabricant.
3. Placez la petite extrémité du filtre du tube siphon dans le récipient de détergent.

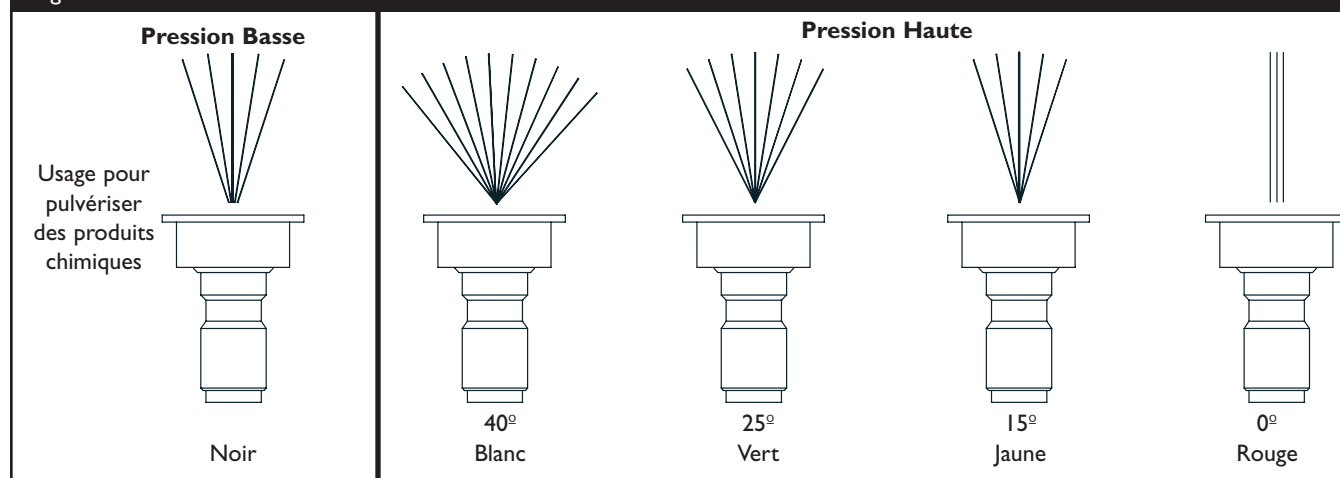
### ATTENTION

Évitez que le tube siphon pour les détergents ne touche le silencieux chaud.

- Lorsque vous insérez le filtre dans une bouteille de solution de détergent, placez le tube de manière à ce qu'il n'entre pas en contact par mégarde avec le silencieux chaud.
4. Assurez-vous que le gicleur noir est en place.

**REMARQUE:** Les produits détergents ne peuvent être appliqués avec les gicleurs haute pression (blanc, vert, jaune ou rouge).

Figure 18 - Gicleurs



5. Assurez-vous que le tuyau d'arrosage est branché à la prise d'eau. Vérifiez que le tuyau à haute pression est branché au pistolet pulvérisateur et à la pompe. Démarrez le moteur.
6. Appliquez le détergent sur une surface sèche, en commençant par la partie inférieure de la surface à nettoyer et travaillez vers le haut, avec de longs mouvements réguliers et qui se chevauchent. NE laissez PAS le détergent sécher (pour éviter les traces).
7. Laissez le détergent "trempé" pendant 3 à 5 minutes avant de laver et de rincer. Appliquez à nouveau, si besoin est, pour éviter que la surface ne sèche.

### Rincer le Pulvérisateur

**Après avoir appliqué le détergent, récurvez la surface et rincez-la en procédant comme suit:**

1. Fixez le verrou de sécurité sur le pistolet pulvérisateur.
2. Enlevez le gicleur noir pour produits chimiques de la rallonge.
3. Choisissez et installez le gicleur à haute pression que vous désirez en suivant les instructions de la rubrique "Comment Utiliser les Gicleurs" à la page 25.

#### AVERTISSEMENT

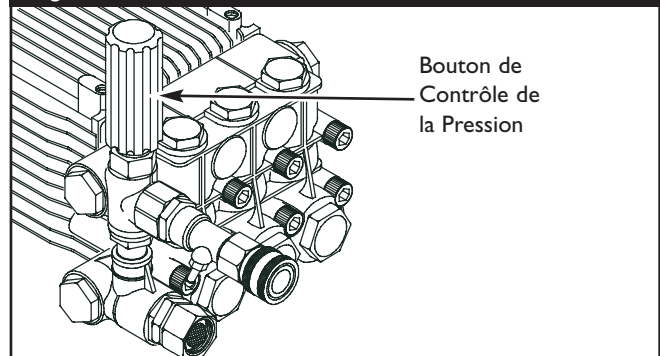


Le jet à haute pression risque également de vous faire tomber si vous êtes trop proche de la surface à nettoyer.

- Pour nettoyer de façon plus efficace, tenez le gicleur à une distance de 8 à 24 pouces de la surface à nettoyer.
- Faites fonctionner et rangez cet appareil sur une surface stable.
- Soyez extrêmement prudent si vous devez utiliser le pulvérisateur sur une échelle, un échafaudage ou tout autre endroit relativement instable.
- Fermez le fusil de pulvérisation de compréhension avec les deux mains en utilisant l'haute pulvérisation de pression pour éviter la blessure si le fusil donne un coup de pied le dos.

4. Augmentez ou diminuez la pression du jet en tournant le bouton de contrôle de la pression dans le sens inverse des aiguilles d'une montre ou dans le sens des aiguilles d'une montre (Figure 19). Utilisez la basse pression pour laver des objets comme une voiture ou un bateau. Utilisez la haute pression pour décoller de la peinture ou dégraisser des allées.

Figure 19 - Bouton de Contrôle de la Pression



5. Appliquez le jet à haute pression sur une petite surface, puis vérifiez-la pour voir si elle n'est pas abîmée. Si elle n'est pas abîmée, vous pouvez continuer.
6. Commencez en haut de l'endroit que vous devez rincer, en descendant avec les mêmes mouvements qui se chevauchent comme lorsque vous avez nettoyé.

### Système de Refroidissement Automatique (Surpression Thermique)

Si vous faites tourner le moteur de votre pulvérisateur pendant 3 à 5 minutes sans appuyer sur la gâchette du pistolet pulvérisateur, l'eau qui circule dans la pompe peut atteindre une température au-dessus 125°F. Lorsque l'eau atteint cette température, le système de refroidissement automatique se déclenche et refroidit la pompe en vidant l'eau chaude sur le sol.



## CARACTÉRISTIQUES

Pression nominale . . . . . 3,400 psi

Débit d'écoulement . . . 4,0 gallons par minute (gpm)

Détergent . . . . . Utilisez un détergent homologué pour les pulvérisateurs

Température . . . . . Ne doit pas dépasser 100°F De L'eau

Système de . . . . . S'enclenche lorsque l'eau Refroidissement atteint 125° à 155°F

Automatique

Poids à l'Expédition . . . . 131 Livres

## RECOMMANDATIONS D'ENTRETIEN GÉNÉRAL

La garantie du pulvérisateur ne couvre pas les articles qui ont été soumis à des abus ou des négligences par l'opérateur. Pour percevoir la valeur intégrale de la garantie, l'opérateur doit entretenir le pulvérisateur à pression en suivant les directives de ce manuel.

- Il est nécessaire d'effectuer certains réglages régulièrement pour entretenir votre pulvérisateur à haute pression.
- Toutes les opérations d'entretien mentionnées dans ce manuel et dans le manuel d'utilisation du moteur doivent être effectuées au moins une fois à chaque saison.
- Lorsque des pneus gonflables sont utilisés, conservez la pression d'air à la valeur indiquée sur les pneus ou entre 15 et 40 lb/po2.

### Avant Chaque Utilisation

1. Vérifiez le niveau d'huile du moteur.
2. Vérifiez si la grille de la prise d'eau n'est pas abîmée.
3. Vérifiez si le filtre du tuyau n'est pas abîmé.
4. Vérifiez si le tuyau à haute pression n'a pas de fuite.
5. Vérifiez si le tube siphon pour les détergents et le filtre ne sont pas endommagés.
6. Vérifiez si le pistolet pulvérisateur et de l'assemblage de la rallonge réglable du gicleur n'ont pas de fuite.
7. Rincez le tuyau d'arrosage pour évacuer les débris AVANT de raccorder le pulvérisateur.

## ENTRETIEN DU PULVÉRISATEUR

### Vérifiez et Nettoyez la Grille de la Prise d'Eau

Inspectez la grille de la prise d'eau. Nettoyez-la si elle est bouchée ou remplacez-la si elle est endommagée.

### Vérifiez le Tuyau à Haute Pression

Le tuyau à haute pression peut avoir des fuites, s'il est usé, tordu ou mal utilisé. Inspectez le tuyau avant chaque utilisation. Vérifiez tous les tuyaux pour les coupures, les fuites, l'abrasion ou le gonflement du couvercle, ou si certains raccords sont abîmés ou mobiles. Si vous remarquez quelque chose, remplacez immédiatement le tuyau.



### AVERTISSEMENT



Le jet d'eau sous pression produit par cet équipement peut percer la peau et les tissus sous-jacents, risquant de provoquer des blessures graves pouvant mener à une amputation.

- NE réparez JAMAIS les tuyaux à haute pression. Remplacez.
- Le tuyau de remplacement DOIT résister à une pression supérieure à la pression nominale du nettoyeur.

### Vérifiez le Tube Siphon des Produits Détergents

Examinez le filtre du tube des détergents et nettoyez-le s'il est bouché. Le tube doit être bien vissé dans le raccord coudé. Vérifiez si le tube ne fuit pas ou n'est pas usé. Remplacez le filtre ou le tube s'ils sont endommagés.

### Nettoyer le Tube Siphon des Produits Détergents

Si vous avez utilisé le tube siphon de détergent, vous devez le rincer avec de l'eau propre avant d'arrêter le moteur.

1. Placez le siphon/filtre d'injection de produits chimiques dans un seau rempli d'eau propre.
2. Fixez le gicleur noir à basse pression.
3. Rincez pendant 1 à 2 minutes.
4. Arrêtez le moteur.

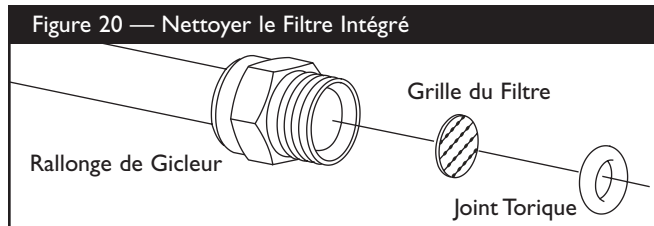
**IMPORTANT:** En éteignant simplement le moteur, la pression ne sortira pas du système. **Lorsque le moteur est arrêté, appuyez sur la gâchette du pistolet pulvérisateur pour faire sortir la pression du tuyau.**

### Vérifiez le Pistolet et la Rallonge de Gicleur Réglable

Inspectez le raccord du tuyau sur le pistolet pulvérisateur, s'il est correctement fixé. Essayez la gâchette en appuyant et en vous assurant qu'elle "s'enclenche" en place lorsque vous la relâchez. Placez le verrou de sécurité en position **MARCHE** et essayez la gâchette. Vous ne devriez pas pouvoir l'enfoncer. Remplacez le pistolet si ces tests ne sont pas positifs.

## Vérifier le Filtre Intégré

Consultez la Figure 20 et réparez le filtre intégré s'il est bouché, en procédant comme suit:



1. Détachez le pistolet pulvérisateur et la rallonge de gicleur du tuyau à haute pression. Détachez la rallonge de gicleur du pistolet pulvérisateur et enlevez le joint torique et la grille de la rallonge de gicleur. Rincez la grille, le pistolet pulvérisateur et la rallonge de gicleur réglable avec de l'eau propre pour retirer les débris.
2. Si la grille est endommagée, la trousse de joints toriques contient une grille de rechange pour le filtre intégré et un joint torique. Si elle n'est pas abîmée, vous pouvez la réutiliser.
3. Placez la grille du filtre intégré dans l'extrémité fileté de la rallonge du gicleur. La direction importe peu. Faites entrer la grille avec l'extrémité gomme d'un crayon jusqu'à ce qu'elle s'encastre à plat au fond de l'ouverture. Faites attention de ne pas plier la grille.
4. Placez le joint torique dans l'encoche. Serrez le joint torique contre la grille du filtre intégré.
5. Assemblez la rallonge du gicleur au pistolet pulvérisateur, comme il est expliqué plus haut dans ce manuel.

## Purgez la Pompe de l'Air et des Impuretés

**Pour purger l'air de la pompe, procédez comme suit:**

1. Réglez le pulvérisateur comme il est indiqué à la rubrique "Préparer Votre Pulvérisateur pour l'Utilisation". Raccordez la source d'alimentation d'eau et ouvrez le robinet.
2. Tirez sur la gâchette du pistolet pulvérisateur et tenez-la.
3. Lorsque l'eau arrive régulièrement, enclenchez le verrou de sécurité.

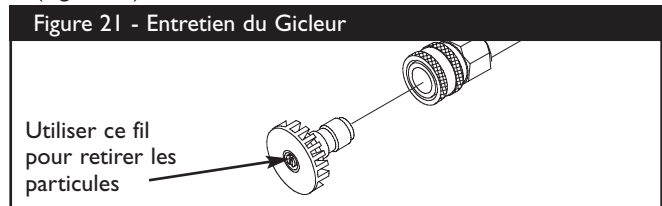
**Pour purger les impuretés de la pompe, procédez comme suit:**

1. Réglez le pulvérisateur comme il est indiqué à la rubrique "Préparer Votre Pulvérisateur pour l'Utilisation". Raccordez la source d'alimentation d'eau et ouvrez le robinet.
2. Enlevez la rallonge de gicleur du pistolet pulvérisateur.
3. Démarrez le moteur selon les instructions que vous trouverez à la rubrique "Pour Mettre Votre Pulvérisateur en Marche".
4. Appuyez sur la gâchette du pistolet pulvérisateur et tenez-la.
5. Lorsque l'eau arrive régulièrement, enclenchez le verrou de sécurité et fixez la rallonge de gicleur.

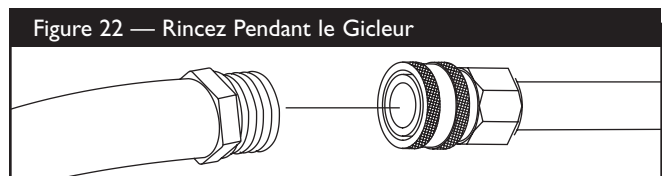
## Entretien du Gicleur

Vous sentirez des pulsations lorsque vous appuyez sur la gâchette du pistolet pulvérisateur s'il y a une pression excessive dans la pompe. La cause principale de cette pression excessive dans la pompe est un gicleur bouché ou encombré par des matériaux étrangers, comme de la poussière, etc. Pour régler le problème, nettoyez immédiatement le gicleur à l'aide des outils qui accompagnent votre pulvérisateur et procédez comme suit:

1. Éteignez le moteur et fermez l'arrivée d'eau.
2. Enlevez le gicleur de l'extrémité de la rallonge.
3. Enlevez le filtre intégré de l'autre extrémité de la rallonge du gicleur.
4. Utilisez le câble inclus dans la trousse (ou un petit trombone) pour retirer tout matériau qui bouche ou encombre le gicleur (Figure 21).



5. À l'aide d'un tuyau d'arrosage, enlevez les débris supplémentaires en injectant de l'eau à contre courant dans la rallonge du gicleur (Figure 22). Rincez pendant 30 à 60 secondes environ.



6. Réinstallez le gicleur et le filtre intégré dans la rallonge.
7. Détachez la rallonge du pistolet pulvérisateur.
8. Raccordez l'arrivée d'eau, ouvrez le robinet d'eau et démarrez le moteur.
9. Essayez de faire fonctionner le pulvérisateur avec chaque gicleur à raccord rapide.

## Entretien du Joint Torique

Lors de l'utilisation normale de votre pulvérisateur, il est probable que les joints qui empêchent les raccords entre les tuyaux et le pistolet de fuir, s'usent ou s'abîment.

Vous trouverez une trousse d'entretien des joints avec votre pulvérisateur qui contient des joints de rechange, des rondelles en caoutchouc et un filtre pour la prise d'eau. Consultez la fiche d'instructions fournies dans la trousse pour réparer les joints de votre appareil. Pour votre appareil, vous n'aurez pas besoin de toutes les pièces contenues dans la trousse.

Pour enlever un joint usé ou endommagé; utilisez un petit tournevis plat pour passer sous le joint et l'écartier.



## Entretien de la Pompe

### Vidange de l'huile

Remplacer l'huile après 50 heures de fonctionnement puis toutes les 200 heures de fonctionnement, ou 3 mois si cette période échoit la première.

**REMARQUE:** Utiliser exclusivement de l'huile non détergente de viscosité 30 de bonne qualité. NE PAS utiliser d'additif.

### Vidanger la pompe selon la procédure suivante:

1. Nettoyer autour du bouchon de vidange en laiton au-dessous de la pompe.
2. Déposer le bouchon de vidange. Vidanger l'huile complètement dans un récipient homologué pour cet usage.
3. Lorsque l'huile cesse de s'écouler, remettre le bouchon de vidange en place et le serrer fermement.
4. Nettoyer autour de la jauge à huile. Déposer la jauge à huile et remplir la pompe avec l'huile recommandée jusqu'à la marque "Full" gravée sur la jauge.
5. Remettre la jauge en place.
6. Essuyer toute trace d'huile répandue.

## ENTRETIEN DU MOTEUR

Consultez le manuel d'utilisation du moteur pour savoir comment entretenir correctement le moteur.



### ATTENTION

Évitez tout contact cutané prolongé ou répété avec l'huile moteur usagée.

- Il a été démontré que l'huile moteur usagée risque de provoquer un cancer de la peau chez certains animaux de laboratoire.
- Rincez consciencieusement les zones exposées avec de l'eau et du savon.



GARDEZ HOS DE PORTÉE DES ENFANTS. NE POLLUEZ PAS. CONSERVEZ LE SURPLUS. RAPPORTEZ L'HUILE USAGÉE AUX CENTRES DE RECYCLAGE.

## PRÉPARER L'APPAREIL POUR L'ENTREPOSAGE

Il ne doit pas rester d'eau dans l'appareil pendant longtemps. Les dépôts ou le calcaire peuvent se déposer sur les pièces de la pompe et "geler" l'action de la pompe. Si vous pensez pas utiliser le pulvérisateur pendant plus de 30 jours d'affilée, procédez comme suit:

1. Rincez le tube de vidange de détergent en plaçant le filtre dans seau d'eau propre tout en faisant fonctionner le pulvérisateur en mode basse pression. Rincez pendant une ou deux minutes.

2. Arrêtez le moteur et laissez-le refroidir, puis enlevez les tuyaux haute pression et d'arrosage. Débranchez le câble de la bougie.
3. Vidangez la pompe de tous les liquides en tirant environ 6 fois sur la poignée de recul. Ceci doit suffire pour débarrasser la pompe de tout liquide.
4. Utilisez PumpSaver pour éviter la corrosion ou que la pompe ne gèle.
5. Rangez l'appareil dans un endroit propre et sec.

## Protection de la Pompe

Pour éviter que la pompe ne s'abîme à cause des dépôts de calcaire ou du gel, utilisez PumpSaver pour la traiter. Cela évitera qu'elle ne s'abîme avec le gel et lubrifie les pistons et les joints.

**REMARQUE:** Le PumpSaver est disponible en option. Il n'est pas inclus avec le pulvérisateur. Contacter le centre de maintenance autorisé plus proche pour acheter PumpSaver.

### ATTENTION

Vous devez protéger votre appareil lorsqu'il gèle.

- Si vous ne le faites pas, vous risquez d'endommager définitivement votre pompe et de ne plus pouvoir vous servir de votre appareil.
- Les dommages dus au gel ne sont pas couverts par la garantie.



### ATTENTION

Lisez et respectez tous les conseils et les avertissements sur l'étiquette de la boîte de PumpSaver.

- Portez toujours une protection oculaire lorsque vous utilisez PumpSaver.

Pour utiliser PumpSaver, vérifiez que le pulvérisateur ne fonctionne pas et qu'il est débranché de la prise d'eau. Lisez et respectez tous les conseils et les avertissements sur la boîte de PumpSaver.

**REMARQUE:** PumpSaver va goutter de la pompe après que vous l'avez traitée et va tâcher le bois et le ciment.

**REMARQUE:** Si vous n'avez pas de PumpSaver, mettez de l'antigel RV (sans alcool) dans la pompe en versant la solution dans une section de tuyau d'arrosage de 3 pieds raccordée à l'adaptateur de la prise d'eau et tirez deux fois sur la poignée de recul.

## RANGER LE MOTEUR

Consultez le manuel d'utilisation du moteur pour savoir comment préparer le moteur pour l'entreposage.



## DÉPANNAGE

Problème	Cause	Correction
<p><b>La pompe a les problèmes suivants: pas de pression, pression irrégulière, presssure, claquement, perte de pression, faible débit d'eau.</b></p>	<ol style="list-style-type: none"> <li>1. Buse à basse pression installée.</li> <li>2. Entrée d'eau bloquée.</li> <li>3. Pas assez d'eau qui arrive.</li> <li>4. Tuyau d'entrée tortillé ou avec fuites.</li> <li>5. Filtre de tuyau bouché.</li> <li>6. Eau à plus de 100°F.</li> <li>7. Tuyau de sortie bloqué ou avec fuites.</li> <li>8. Le pistolet fuie.</li> <li>9. La buse est obstrué.</li> <li>10. La pompe est défectueuse.</li> </ol>	<ol style="list-style-type: none"> <li>1. Remplacez la buse par la buse à haute pression.</li> <li>2. Dégager l'entrée d'eau.</li> <li>3. Fournir un débit adéquat.</li> <li>4. Redresser le tuyau, boucher la fuite.</li> <li>5. Vérifier et nettoyer le filtre du tuyau d'entrée.</li> <li>6. Ayez une eau plus froide.</li> <li>7. Débloquez le tuyau de sortie.</li> <li>8. Remplacer le pistolet.</li> <li>9. Nettoyez la buse.</li> <li>10. Contacter votre concessionnaire Briggs &amp; Stratton Power Products.</li> </ol>
<p><b>Le détergent ne se mélange pas avec le jet.</b></p>	<ol style="list-style-type: none"> <li>1. Le tube n'est pas submergé.</li> <li>2. Le filtre du tube est bouché.</li> <li>3. Le filtre intégré sale.</li> <li>4. Buse à haute pression installée.</li> </ol>	<ol style="list-style-type: none"> <li>1. Insérer le tube dans le détergent.</li> <li>2. Nettoyer ou remplacer le tube et/ou le filtre.</li> <li>3. Voir "Vérifier le Filtre Intégré".</li> <li>4. Remplacez la buse par la buse à basse pression.</li> </ol>
<p><b>Le moteur tourne sans charge mais cale quand une charge est ajoutée.</b></p>	<p>Vitesse trop lente du moteur.</p>	<p>Mettre l'accélérateur sur FAST. Si le moteur continue à caler contacter votre concessionnaire fabricant de moteur.</p>
<p><b>El motor se apaga durante la operación.</b></p>	<p>Sin gasolina.</p>	<p>Llene el tanque de combustible.</p>

# GARANTIE DU PROPRIÉTAIRE D'UN PRODUIT BRIGGS & STRATTON POWER PRODUCTS GROUP, LLC

Prise d'effet au 1<sup>er</sup> Janvier 2003, annule et remplace toutes les garanties précédentes et les garanties antérieures au 1<sup>er</sup> Janvier 2003

## GARANTIE LIMITÉE

Briggs & Stratton Power Products Group, LLC réparera ou remplacera, sans frais, toutes pièces d'équipement défectueuses comportant un vice de matériau ou un défaut de fabrication ou les deux. En vertu de la présente garantie, les frais de transport des pièces soumises pour réparation ou remplacement sont à la charge de l'acheteur. La présente garantie sera en vigueur durant les périodes stipulées ci-dessous et est assujettie aux conditions stipulées ci-dessous. Pour obtenir des services en vertu de la garantie, veuillez consulter notre Outil de recherche d'un Service après-vente agréé au <http://www.briggspowerproducts.com> afin de trouver un distributeur de service après-vente agréé dans votre région.

IL N'EXISTE AUCUNE AUTRE GARANTIE EXPRESSE. LES GARANTIES IMPLICITES, INCLUANT CELLES DE QUALITÉ MARCHANDE ET D'ADAPTATION À UN USAGE PARTICULIER, SONT LIMITÉES À UNE PÉRIODE D'UN AN À PARTIR DE LA DATE D'ACHAT OU JUSQU'À LA LIMITE PERMISE PAR LA LOI, TOUTE GARANTIE IMPLICITE EST EXCLUE. LA RESPONSABILITÉ POUR DOMMAGES ACCESSOIRES OU INDIRECTS EST EXCLUE DANS LA MESURE OÙ UNE TELLE EXCLUSION EST PERMISE PAR LA LOI. Certains États/provinces ou pays n'autorisent aucune restriction sur la durée d'une garantie implicite, et certains États/provinces ou pays n'autorisent pas l'exclusion ou la limitation des dommages consécutifs ou indirects. Par conséquent, les restrictions et exclusions décrites ci-dessus pourraient ne pas s'appliquer dans votre cas. La présente garantie vous accorde certains droits légaux spécifiques et vous pourriez également en avoir d'autres, qui peuvent varier d'un État ou d'une province à l'autre et d'un pays à l'autre.

## NOTRE ÉQUIPEMENT\*

MOTEUR HORS-BORD	NETTOYEUR À HAUTE PRESSION	POMPE À EAU (Pas disponible aux États-Unis)	GÉNÉRATRICE PORTATIVE SOUDEUR	GRUPE ÉLECTROGÈNE (inclut le commutateur de transfert, lorsque vendu avec l'équipement.)	COMMUTATEUR DE TRANSFERT
				Moins de 10 kW	10 kW ou plus

## PÉRIODE DE GARANTIE\*\*

Usage par un consommateur	2 ans	1 an	1 an	2 ans	2 ans	3 ans ou 1500 heures	1 an
Usage à des fins commerciales	aucune	90 jours	90 jours	1 an	1 an		

\* Le moteur et les batteries de démarrage sont garantis uniquement par les fabricants de ces produits.

\*\* 2 ans pour tous les produits grand public de l'Union européenne. Les pièces seulement à la deuxième année pour l'usage par un consommateur de la Génératrice portative et du Groupe électrogène - moins de 10 kW, à l'extérieur de l'Union européenne.

La période de garantie débute à la date d'achat par le premier acheteur au détail ou par le premier utilisateur commercial final, et se prolonge pour la durée stipulée dans le tableau ci-dessus. "Usage par un consommateur" signifie utilisation domestique personnelle dans une résidence, par l'acheteur au détail. "Usage à des fins commerciales" signifie toute autre utilisation, y compris à des fins commerciales, générant de revenus ou de location. Aux fins de la présente garantie, dès qu'un équipement a été utilisé commercialement une fois, il est par la suite considéré comme étant d'usage à des fins commerciales. **L'équipement utilisé pour l'alimentation principale n'est pas couvert par la présente garantie. Les nettoyeurs à haute pression électriques utilisés à des fins commerciales ne sont pas couverts par la présente garantie.**

**POUR EXERCER LA GARANTIE SUR TOUT PRODUIT FABRIQUÉ PAR BRIGGS & STRATTON, IL N'EST PAS NÉCESSAIRE DE L'ENREGISTRER. CONSERVEZ LE REÇU COMME PREUVE D'ACHAT. SI, LORS D'UNE RÉCLAMATION DE GARANTIE, VOUS NE POUVEZ PROUVER LA DATE INITIALE DE L'ACHAT, NOUS UTILISERONS LA DATE DE FABRICATION DU PRODUIT COMME DATE DE RÉFÉRENCE POUR DÉTERMINER LA PÉRIODE DE GARANTIE.**

## À PROPOS DE LA ÉQUIPEMENT GARANTIE

Nous acceptons de faire effectuer les réparations couvertes par la garantie et tenons à nous excuser pour tout inconvénient subi. Tout agent d'un service après-vente agréé peut exécuter les réparations couvertes par la garantie. La plupart des réparations couvertes par la garantie sont traitées automatiquement; cependant, il arrive parfois que les demandes de service en vertu de la garantie soient non fondées. Par exemple, la garantie ne couvre pas les dommages causés à l'équipement par une utilisation abusive, par un manque d'entretien périodique, durant l'expédition, la manutention ou l'entreposage, ou en raison d'une installation inadéquate. De même, la garantie sera annulée si la date de fabrication ou le numéro de série apposé à l'équipement a été enlevé ou si l'équipement a été changé ou modifié. Durant la période de garantie, le distributeur de service après-vente agréé réparera ou remplacera, à son gré, toute pièce qui, après examen, est trouvée défectueuse à la suite d'une utilisation et d'un entretien normaux. La présente garantie ne couvre pas les réparations et les équipements suivants:

- Usure normale:** Comme tout autre dispositif mécanique, les groupes électrogènes d'extérieur nécessitent l'entretien périodiques de certaines pièces pour fonctionner adéquatement. La présente garantie ne couvre pas les frais de réparation des pièces ou des équipements dont la durée de vie utile a été dépassée à la suite d'une utilisation normale.
- Installation et entretien:** La présente garantie ne couvre pas les équipements ou les pièces qui ont fait l'objet d'une installation ou de modifications et de changements inadéquats ou non autorisés, d'une mauvaise utilisation, de négligence, d'un accident, d'une surcharge, d'emballement, d'entretien inadéquat, de réparation ou d'entreposage qui, selon nous, auraient nui à la performance et à la fiabilité du produit. De plus, la garantie ne couvre pas l'entretien normal tel que le réglage, le nettoyage du circuit d'alimentation et son obstruction (causée par l'accumulation de produits chimiques, de saletés, de calamine, de calcaire, etc.).
- Exclusions supplémentaires:** La présente garantie exclut les pièces qui s'usent telles que les raccords rapides, les jauges d'huile, les courroies, les joints toriques, les filtres, les garnitures de pompes, etc., les pompes ayant fonctionné sans alimentation en eau ou tout dommage ou tout mauvais fonctionnement résultant d'un accident, d'une utilisation abusive, de modifications, de changements ou d'un entretien inadéquat du système, du gel ou d'une détérioration chimique. La garantie du produit ne couvre pas les pièces accessoires telles que les pistolets, les boyaux, les lances et les buses. Est aussi exclu tout équipement usé, remis à neuf ou de démonstration, tout équipement utilisé pour l'alimentation principale en remplacement de l'alimentation de service et tout équipement utilisé pour l'alimentation d'appareils de maintien des fonctions vitales.

BRIGGS & STRATTON POWER PRODUCTS GROUP, LLC  
JEFFERSON, WI, USA

# BRIGGS & STRATTON POWER PRODUCTS GROUP, LLC EQUIPMENT OWNER WARRANTY POLICY

Effective January 1, 2003 replaces all undated Warranties and all Warranties dated before January 1, 2003

## LIMITED WARRANTY

Briggs & Stratton Power Products Group, LLC will repair or replace, free of charge, any part(s), of the equipment that is defective in material or workmanship or both. Transportation charges on parts submitted for repair or replacement under this warranty must be borne by purchaser. This warranty is effective for the time periods and subject to the conditions stated below. For warranty service, find the nearest Authorized Service Dealer in our dealer locator map at [www.briggspowerproducts.com](http://www.briggspowerproducts.com).

THERE IS NO OTHER EXPRESS WARRANTY. IMPLIED WARRANTIES, INCLUDING THOSE OF MERCHANTABILITY AND FITNESS FOR A PARTICULAR PURPOSE, ARE LIMITED TO ONE YEAR FROM PURCHASE, OR TO THE EXTENT PERMITTED BY LAW ANY AND ALL IMPLIED WARRANTIES ARE EXCLUDED. LIABILITY FOR INCIDENTAL OR CONSEQUENTIAL DAMAGES ARE EXCLUDED TO THE EXTENT EXCLUSION IS PERMITTED BY LAW. Some states or countries do not allow limitations on how long an implied warranty lasts, and some states or countries do not allow the exclusion or limitation of incidental or consequential damages, so the above limitation and exclusion may not apply to you. This warranty gives you specific legal rights and you may also have other rights which vary from state to state or country to country.

## OUR EQUIPMENT\*

<b>OUTBOARD MOTOR</b>	<b>PRESSURE WASHER</b>	<b>WATER PUMP</b> (Not available in the USA)	<b>PORTABLE GENERATOR</b>  <b>WELDER</b>	<b>HOME GENERATOR SYSTEM</b> (Includes Transfer Switch, if sold with equipment.) <b>Less than 10 KW</b> <b>10 KW or greater</b>	<b>TRANSFER SWITCH</b>
-----------------------	------------------------	---	--	---	------------------------

## WARRANTY PERIOD\*\*

Consumer Use	2 years	1 year	1 year	2 years	2 years	3 years or 1500 hours	1 year
Commercial Use	none	90 days	90 days	1 year	1 year	1500 hours	1 year

\* The engine and starting batteries are warranted solely by the manufacturers of those products.

\*\* 2 years for all consumer products in the European Union. Parts only on 2nd year for consumer use of Portable Generator and Home Generator System - Less than 10 KW, outside of European Union.

The warranty period begins on the date of purchase by the first retail consumer or commercial end user, and continues for the period of time stated in the table above. "Consumer use" means personal residential household use by a retail consumer. "Commercial use" means all other uses, including use for commercial, income producing or rental purposes. Once equipment has experienced commercial use, it shall thereafter be considered as commercial use for purposes of this warranty. **Equipment used for Prime Power in place of utility are not applicable to this warranty. Electric Powered Pressure Washers used for commercial purposes are not warranted.**

**NO WARRANTY REGISTRATION IS NECESSARY TO OBTAIN WARRANTY ON BRIGGS & STRATTON PRODUCTS. SAVE YOUR PROOF OF PURCHASE RECEIPT. IF YOU DO NOT PROVIDE PROOF OF THE INITIAL PURCHASE DATE AT THE TIME WARRANTY SERVICE IS REQUESTED, THE MANUFACTURING DATE OF THE PRODUCT WILL BE USED TO DETERMINE THE WARRANTY PERIOD.**

## ABOUT YOUR WARRANTY

We welcome warranty repair and apologize to you for being inconvenienced. Any Authorized Service Dealer may perform warranty repairs. Most warranty repairs are handled routinely, but sometimes requests for warranty service may not be appropriate. For example, warranty service would not apply if equipment damage occurred because of misuse, lack of routine maintenance, shipping, handling, warehousing or improper installation. Similarly, the warranty is void if the manufacturing date or the serial number on the equipment has been removed or the equipment has been altered or modified. During the warranty period, the Authorized Service Dealer, at its option, will repair or replace any part that, upon examination, is found to be defective under normal use and service. This warranty will not cover the following repairs and equipment:

- **Normal Wear:** Outdoor Power Equipment, like all mechanical devices, needs periodic parts and service to perform well. This warranty does not cover repair when normal use has exhausted the life of a part or the equipment.
- **Installation and Maintenance:** This warranty does not apply to equipment or parts that have been subjected to improper or unauthorized installation or alteration and modification, misuse, negligence, accident, overloading, overspeeding, improper maintenance, repair or storage so as, in our judgment, to adversely affect its performance and reliability. This warranty also does not cover normal maintenance such as adjustments, fuel system cleaning and obstruction (due to chemical, dirt, carbon, lime, etc.).
- **Other Exclusions:** This warranty excludes wear items such as quick couplers, oil gauges, belts, o-rings, filters, pump packing, etc., pumps that have been run without water supplied or damage or malfunctions resulting from accidents, abuse, modifications, alterations, or improper servicing or freezing or chemical deterioration. Accessory parts such as guns, hoses, wands and nozzles are excluded from the product warranty. Also excluded is used, reconditioned, and demonstration equipment; equipment used for prime power in place of utility power and equipment used in life support applications.