



The Chore Master®

PARTS LIST FOR

CV-2600-0MHC

CV-2600-0MSC

CV-2600-0MMC / CV-2600-0MMC-C

(AFTER SERIAL #10724401)

Engine Oil Grade:
Engine Oil Capacity:
Nozzle Size:

SAE10W-30
See Model Specifications
2.7 mm

This Parts Listing has been compiled for your benefit. You can be assured your Mi-T-M Cold Water Pressure Washer was constructed and designed with quality and performance in mind using over 25 years experience in the pressure washer business. Each component has been rigorously tested to insure the highest level of acceptance.

The contents of this Parts Listing are based on the latest product information available at the time of publication. Mi-T-M reserves the right to make changes in price, color, materials, equipment, specifications or models at any time without notice.

WARNING

THIS IS A PROFESSIONAL HIGH PRESSURE, COLD WATER PRESSURE WASHER. CAUTION SHOULD BE OBSERVED WHEN USING OR REPAIRING THIS UNIT! READ AND FOLLOW THE SAFETY WARNINGS LISTED BELOW BEFORE ATTEMPTING ANY REPAIRS ON THIS PRESSURE WASHER!

SAFETY WARNINGS

1. NEVER alter or modify the equipment. Be sure any accessory items and system components being used will withstand the pressure developed. Use only genuine Mi-T-M parts for repair of your pressure washer. Failure to do so can cause hazardous operating conditions and will VOID warranty.
2. NEVER make adjustments on machinery while the unit is connected to the power source. Turning over the machinery by hand during adjustment or cleaning might start the machinery, causing serious injury to the operator.
3. Know how to stop and bleed pressures quickly. Be thoroughly familiar with controls.
4. Before servicing the unit, turn unit off, relieve the water pressure and allow the unit to cool down. Do not make repairs while the unit is running. Service in a clean, dry, flat area.
5. After testing the machine, DO NOT leave the pressurized unit unattended. Shut off the unit and release trapped pressure before leaving.

Table of Contents

SPECIFICATIONS	3
NOTES	4
FRAME ASSEMBLY FOR CV-2600-0MHC / CV-2600-0MSC / CV-2600-0MMC / CV-2600-0MMC-C (AFTER SERIAL #10724401)	6
PUMP ASSEMBLY (3-0358)	8
LANCE ASSEMBLY (16-0366)	10

SPECIFICATIONS

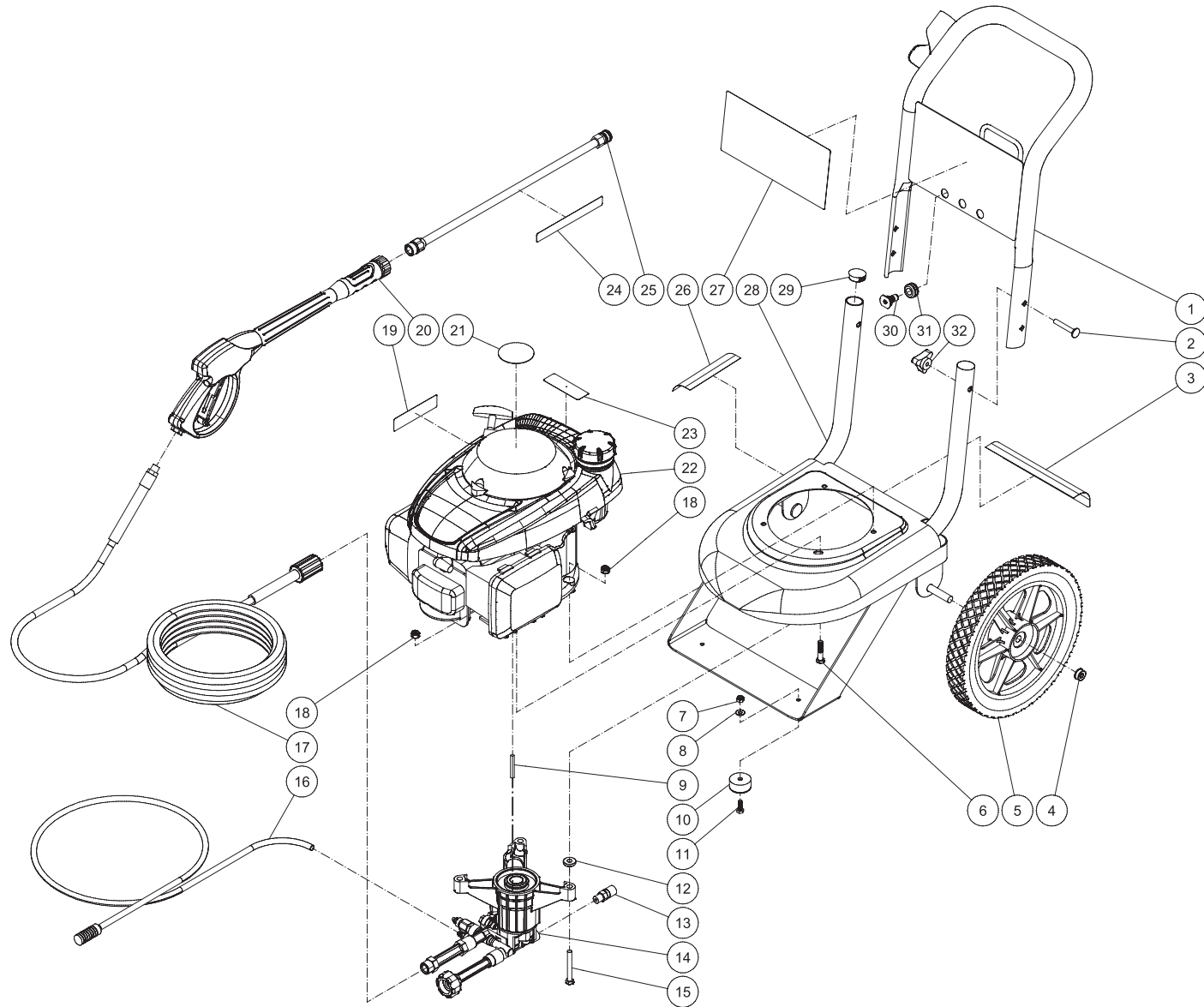
MODEL NUMBER	CV-2600-0MHC	CV-2600-0MSC	CV-2600-0MMC_-C
Operating Pressure (PSI/Bar):	2600/179	2600/179	2600/179
High Pressure Nozzle:	2.7 mm	2.7 mm	2.7 mm
Water Volume (GPM/lpm):	2.2/8.3	2.2/8.3	2.2/8.3
Engine:	Honda	Subaru	Mi-T-M
Model #	GCV 160	RCV 190	RV170
Engine Type	4 Stroke, Overhead Valve, Single Cylinder	4 Stroke, Overhead Valve, Single Cylinder	4 Stroke, Overhead Valve, Single Cylinder
Oil Type	SAE10W-30	SAE10W-30	SAE10W-30
Oil Capacity (oz./liters)	19/0.55	22/0.65	19/0.55
Fuel Type	Unleaded Gasoline 86 Octane Minimum	Unleaded Gasoline 86 Octane Minimum	Unleaded Gasoline 86 Octane Minimum
Fuel Capacity (gallon/ liters)	0.25/0.93	0.26/1.0	.29/1.1
Starting	Recoil	Recoil	Recoil
Maximum No Load RPM	3800 (+/- 100) RPM	3800 (+/- 100) RPM	3800 (+/- 100) RPM
Pump:	Direct Driven, Oil Bath, Triplex Axial Piston	Direct Driven, Oil Bath, Triplex Axial Piston	Direct Driven, Oil Bath, Triplex Axial Piston
Oil Type	Factory Sealed	Factory Sealed	Factory Sealed
Plungers	Stainless Steel	Stainless Steel	Stainless Steel
Manifold	Aluminum	Aluminum	Aluminum
Valves	Plastic	Plastic	Plastic
Unloader	Preset	Preset	Preset
Detergent Injector	Low pressure down stream from pump	Low pressure down stream from pump	Low pressure down stream from pump
Unit Net Weight (lbs/Kg)	62/28	62/28	62/28
Unit Shipping Weight (lbs/Kg)	74/33.5	74/33.5	74/33.5
Unit Net Dimension (in/cm)	21Lx17Wx22.5H/ 53Lx43Wx57H	21Lx17Wx22.5H/ 53Lx43Wx57H	21Lx17Wx22.5H/ 53Lx43Wx57H
Unit Shipping Dimension (in/cm)	25Lx17.5Wx26H/ 63.5Lx44.5Wx66H	25Lx17.5Wx26H/ 63.5Lx44.5Wx66H	25Lx17.5Wx26H/ 63.5Lx44.5Wx66H

NOTES

DATE	SERIAL #	REASON
04-08-13	10724401	ENGINE CHANGED TO 1-0222

NOTES

FRAME ASSEMBLY FOR CV-2600-0MHC / CV-2600-0MSC / CV-2600-0MMC / CV-2600-0MMC-C (AFTER SERIAL #10724401)

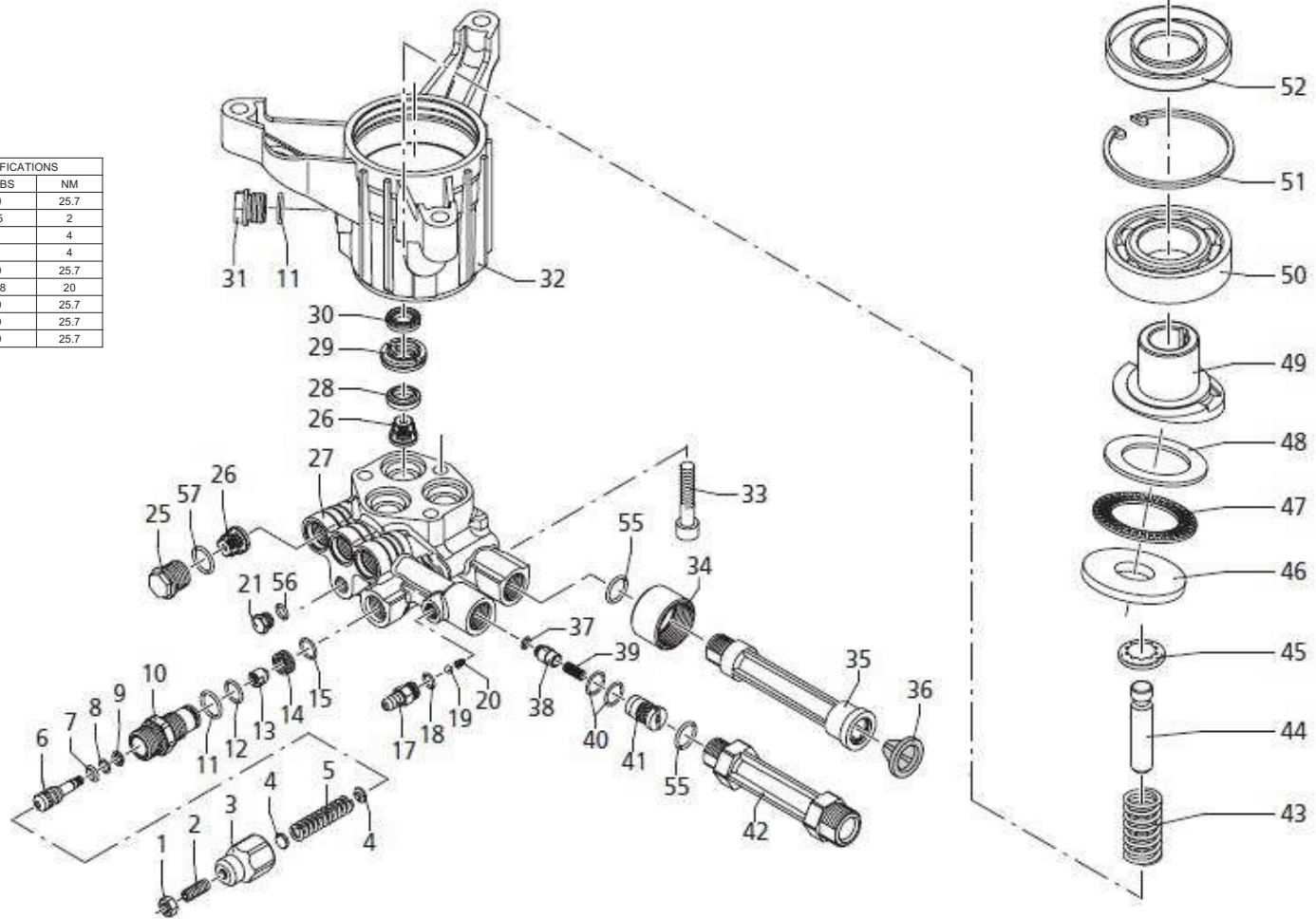


CV-2600-0MHC_SC_MC_-C-041713-RJA

FRAME ASSEMBLY			
ITEM	TITLE	PART #	QTY
1	HANDLE	7-0222A01	1
2	BOLT	31-0051	2
3	DECAL - WARNING/CAUTION/OPERATION (S) (SEE 71-1001)	N/A	1
4	HUB CAP	33-0055	2
5	WHEEL	14-0111	2
6	BOLT	27-0069	1
7	LOCKNUT	30-0155	2
8	WASHER	28-0002	2
9	KEY (0MHC)	43-0073	1
-	KEY (0MMC/-C)	43-0072	1
-	KEY (0MSC/-C)	43-0082	1
10	ISOLATOR	14-0069	2
11	BOLT	27-0015	2
12	ENGINE SPACER (0MHC)	33-0428	3
13	HEAT DUMP VALVE	22-0408	1
14	PUMP	3-0358	1
15	BOLT (0MHC/SC/-C)	27-0073	3
-	BOLT (0MMC/-C)	27-9602	3
16	DETERGENT HOSE	19-0233	1
17	HOSE	15-0239	1
18	LOCKNUT	30-0157	4
19	DECAL - RISK OF BURNS (SEE 71-1001)	N/A	1
20	GUN & WAND	16-0442	1
21	DECAL - MI-T-M 170CC SERIES (0MMC/-C)	N/A	1
22	ENGINE (0MHC)	1-0131	1
-	ENGINE (0MSC)	1-0193	1
-	ENGINE (0MSC-C)	1-0197	1
-	ENGINE (0MMC/-C)	1-0222	1
23	DECAL - RISK OF FIRE (SEE 71-1001)	N/A	1
24	DECAL - RISK OF INJECTION (SEE 71-1001)	N/A	1
25	LANCE ASSEMBLY	16-0366	1
26	DECAL - SILVER STICKER	N/A	1
27	DECAL - PLACARD WARNING CV 2600 SEE 71-1001)	N/A	1
28	BASE ASSEMBLY	5-0270A53	1
29	PLUG	62-0200	2
30	NOZZLE	18-0426	1
-	NOZZLE	18-0427	1
-	NOZZLE	18-0386	1
31	GROMMET	33-0001	3
32	KNOB	7-0107	2
-	DECAL SET	71-1001	1

PUMP ASSEMBLY (3-0358)

TORQUE SPECIFICATIONS		
POSITION	FT-LBS	NM
10	19	25.7
13	1.5	2
17	3	4
21	3	4
25	19	25.7
31	14.8	20
33	19	25.7
35	19	25.7
42	19	25.7



3-0358-082614 JDK

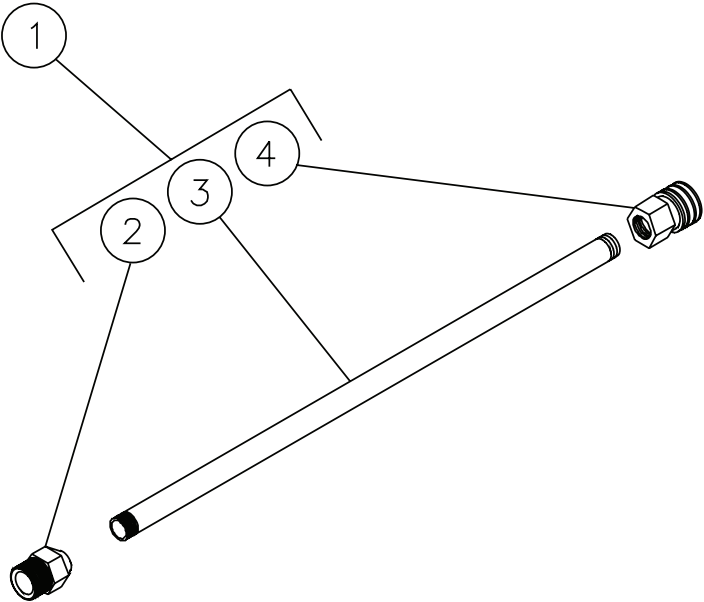
PUMP ASSEMBLY

ITEM	DESCRIPTION	PART #	QTY	ITEM	DESCRIPTION	PART #	QTY
1	NUT (SEE KIT 70-0446)	30-6024	1	31	PLUG	39-0102	1
2	SCREW (SEE KIT 70-0446)	27-9587	1	32	PUMP HOUSING	N/A	1
3	HANDLE (SEE KIT 70-0446)	8-0564	1	33	HEAD BOLT	27-9590	3
4	SPRING (SEE KIT 70-0446)	8-0501	2	34	HOSE FITTING	46-1178	1
5	SPRING (SEE KIT 70-0446)	49-0157	1	35	INLET EXTENSION	46-1421	1
6	PISTON (SEE KIT 70-0446)	8-0565	1	36	INLET FILTER	19-0001	1
7	O-RING (SEE KIT 70-0446 AND 70-0413)	25-0526	1	37	O-RING (SEE KIT 70-0413 AND 70-0560)	25-0406	1
8	O-RING (SEE KIT 70-0446 AND 70-0413)	SEE KIT	1	38	JET (SEE KIT 70-0560)	46-1422	1
9	RING (SEE KIT 70-0446)	25-0589	1	39	SPRING (SEE KIT 70-0560)	49-0124	1
10	PISTON GUIDE (SEE KIT 70-0446)	8-0566	1	40	O-RING (SEE KIT 70-0413 AND 70-0560)	25-0343	2
11	O-RING (SEE KIT 70-0446 AND 70-0413)	25-0510	2	41	DETERGENT INJECTOR (SEE KIT 70-0560)	46-1423	1
12	O-RING (SEE KIT 70-0446 AND 70-0413)	25-0387	1	42	OUTLET EXTENSION	46-1424	1
13	BY-PASS JET (SEE KIT 70-0446)	8-0569	1	43	SPRING	49-0160	3
14	SEAT (SEE KIT 70-0446)	8-0570	1	44	PISTON (SEE KIT 70-0410)	SEE KIT	3
15	O-RING (SEE KIT 70-0446 AND 70-0413)	25-0500	1	45	RING	46-1183	3
17	HOSE NIPPLE (SEE KIT 70-0627)	SEE KIT	1	46	THRUST WASHER	46-0876	1
18	O-RING (SEE KIT 70-0413 AND 70-0627)	25-0371	1	47	BEARING	N/A	1
19	BALL (SEE KIT 70-0627)	8-0521	1	48	THRUST WASHER	N/A	1
20	SPRING (SEE KIT 70-0627)	8-0520	1	49	SHAFT	46-1184	1
21	SCREW	27-9599	1	50	REAR BEARING	48-0083	1
25	PLUG	39-0253	3	51	CIRCLIP	46-1185	1
26	VALVE (SEE KIT 70-0556)	SEE KIT	6	52	SEAL (SEE KIT 70-0411)	26-0290	1
27	PUMP HEAD	46-1420	1	55	O-RING (SEE KIT 70-0413)	25-0536	2
28	GASKET (SEE KIT 70-0464)	46-1259	3	56	O-RING (SEE KIT 70-0413)	25-0382	1
29	BUSHING	46-1177	3	57	O-RING	25-0673	3
30	SEAL (SEE KIT 70-0411)	SEE KIT	3				

REPLACEMENT KITS

KIT #	DESCRIPTION	ITEMS	# OF ASSEMBLIES	#OF CYLINDERS
70-0446	KIT - UNLOADER	1-3, 4, 5-15	1, 2, 1	-
70-0556	KIT - VALVES	26	6	3
70-0410	KIT - PISTONS	44	3	3
70-0464	KIT - WATER SEALS	28	3	3
70-0411	KIT - OIL SEALS	30, 52	3, 1	-
70-0413	KIT - O-RINGS	7-8, 11, 12, 15, 18, 37, 40, 55, 56	1, 2, 1, 1, 1, 1, 2, 2, 1	-
70-0560	KIT - SHUTTER VALVE	37-39, 40, 41	1, 2, 1	-
70-0627	KIT - CHEMICAL INJECTOR	17-20	1	-

LANCE ASSEMBLY (16-0366)



16-0366-102700-RD

LANCE ASSEMBLY (16-0366)			
REF. #	DESCRIPTION	PART #	QTY.
1	Complete Lance (Inc. 2-4)	16-0366	1
2	Coupling	16-0378	1
3	Pipe	16-0379	1
4	Quick Connect	17-0001	1

Manufactured by Mi-T-M
8650 Enterprise Drive, Peosta IA 52068
563-556-7484/ Fax 563-556-1235