

THE WORK PRO[®]

by Mi-T-M[®]

8650 Enterprise Drive, Peosta IA 52068

563-556-7484 / Fax 563-556-1235

www.mitm.com

PARTS LIST FOR

WP-3000-0MIB/VB

WP-3003-0MHB/RB/VB

ENGINE OIL GRADE:

INTEK I/C AND VANGUARD:

ABOVE 40°F = SAE30

BELOW 40°F= SAE10W-30

SAE10W-30

HONDA/ROBIN:

ENGINE OIL CAPACITY:

INTEK I/C:

24 oz.

VANGUARD:

40 oz.

HONDA/ROBIN:

37 oz.

PUMP OIL GRADE:

Mi-T-M PUMP OIL #AW-4085-0016

PUMP OIL CAPACITY:

14 oz.

NOZZLE SIZE:

3.5

This Parts Listing has been compiled for your benefit. You can be assured your Mi-T-M Cold Water Pressure Washer was constructed and designed with quality and performance in mind using over 25 years experience in the pressure washer business. Each component has been rigorously tested to insure the highest level of acceptance.

The contents of this Parts Listing are based on the latest product information available at the time of publication. Mi-T-M reserves the right to make changes in price, color, materials, equipment, specifications or models at any time without notice.

WARNING

THIS IS A PROFESSIONAL HIGH PRESSURE, COLD WATER PRESSURE WASHER. CAUTION SHOULD BE OBSERVED WHEN USING OR REPAIRING THIS UNIT! READ AND FOLLOW THE SAFETY WARNINGS LISTED BELOW BEFORE ATTEMPTING ANY REPAIRS ON THIS PRESSURE WASHER!

SAFETY WARNINGS

1. NEVER alter or modify the equipment. Be sure any accessory items and system components being used will withstand the pressure developed. Use only genuine Mi-T-M parts for repair of your pressure washer. Failure to do so can cause hazardous operating conditions and will VOID warranty.
2. NEVER make adjustments on machinery while the unit is connected to the engine without first removing the ignition cable from the spark plug. Turning over the machinery by hand during adjustment or cleaning might start the machinery, causing serious injury to the operator.
3. Know how to stop and bleed pressures quickly. Be thoroughly familiar with controls.
4. Before servicing the unit, turn unit off, relieve the water pressure and allow the unit to cool down. Do not make repairs while the unit is running. Service in a clean, dry, flat area. Block the wheels to prevent the unit from moving. Be especially careful to properly dispose of any flammable materials.
5. After testing the machine, DO NOT leave the pressurized unit unattended. Shut off the unit and release trapped pressure before leaving.

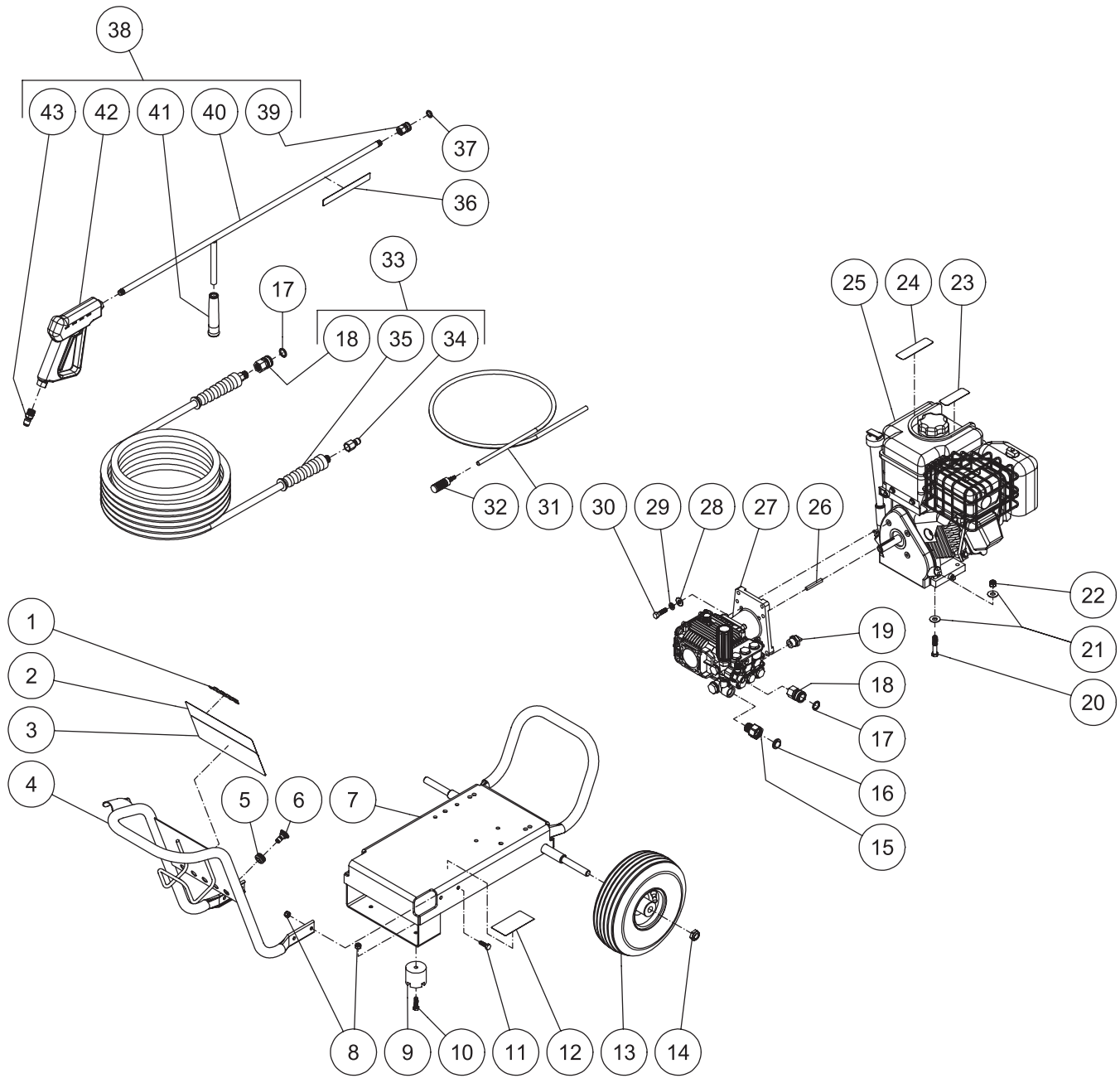
Table of Contents

SPECIFICATIONS	3
FRAME ASSEMBLY FOR WP-3000-0MIB (AFTER SERIAL #10070000)	4
FRAME ASSEMBLY FOR WP-3000-0MVB (AFTER SERIAL #10070000)	6
FRAME ASSEMBLY FOR WP-3003-0MHB (AFTER SERIAL #10070000)	8
FRAME ASSEMBLY FOR WP-3003-0MRB	10
FRAME ASSEMBLY FOR WP-3003-0MVB (AFTER SERIAL #10070000)	12
PUMP ASSEMBLY (3-0147)	14
UNLOADER ASSEMBLY (8-0456)	16
GUN ASSEMBLY (16-0001)	18

SPECIFICATIONS

MODEL NUMBER	WP-3000-0MIB	WP-3000-0MVB	WP-3003-0MHB	WP-3003-0MRB	WP-3003-0MVB
Operating Pressure (PSI/Bar):	3000/206				
High Pressure Nozzle:	3.5				
Water Volume (GPM/lpm):	3.0/11				
Engine:	B & S Intek I/C	B & S Vanguard	Honda	Robin	B & S Vanguard
Horsepower	10.0	9.0			
Engine Type	4 Stroke, Overhead Valve, Single Cylinder				
Oil Type	Above 40°F = SAE30/ Below 40°F = SAE10W-30		SAE10W-30		Above 40°F = SAE30/ Below 40°F = SAE10W-30
Oil Capacity (oz./liters)	24/7	40/1.2	37/1.1		40/1.2
Low Oil Protection	Oil Guard™		Oil Alert™	Oil Sensor	Oil Guard™
Fuel Type	Unleaded Gasoline 86 Octane Minimum				
Fuel Capacity (gallon/ liters)	1.0/3.8	2.0/7.6	1.6/6.0		2.1/7.9
Starting	Recoil				
Maximum No Load RPM	3600 (+/- 100) RPM				
Pump:	Direct Driven, Oil Bath, Triplex Piston				
Oil Type	Mi-T-M Pump Oil #AW-4085-0016				
Oil Capacity (oz./liters)	14/4				
Plungers	Ceramic				
Manifold	Forged Brass				
Valves	Stainless Steel				
Unloader	Adjustable				
Thermal Relief Valve	Relieves heated water during unloader bypass stage				
Detergent Injector	Adjustable low pressure down stream from pump				
Unit Net Weight (lbs/Kg)	113/51	123/56	129/58.5		
Unit Shipping Weight (lbs/Kg)	167/76	177/80	169/76.5		
Unit Net Dimension (in/cm)	35Lx22.5Wx26H/89Lx57Wx66H		34Lx23.5Wx25.5H/86Lx59.5Wx64.5H		
Unit Shipping Dimension (in/cm)	39.5Lx25Wx31.5H/100.5Lx63.5Wx80H		41Lx26Wx33H/104Lx66Wx84H		

FRAME ASSEMBLY FOR WP-3000-0MIB (AFTER SERIAL #10070000)

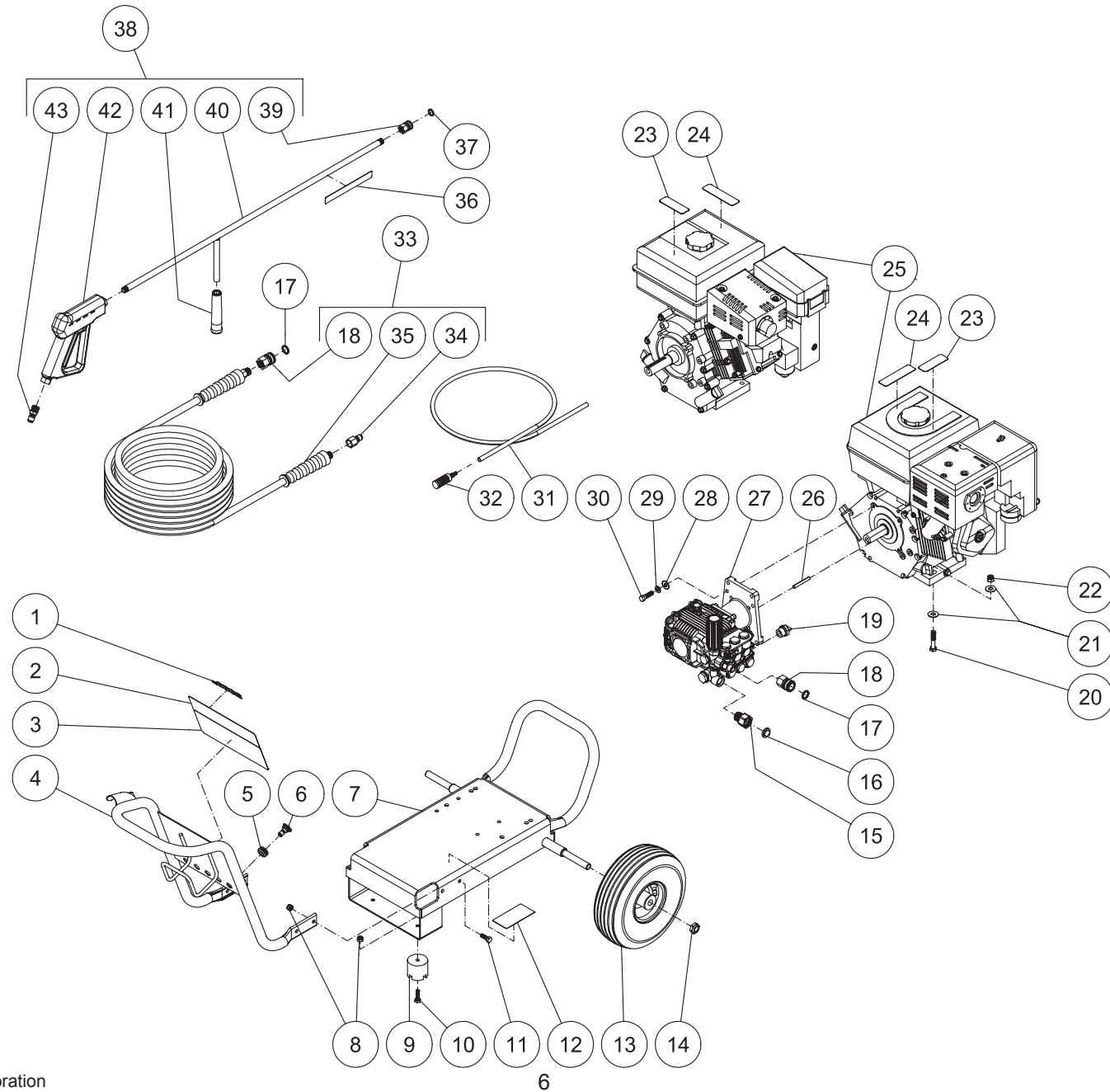


WP-3000-0MIB-041906-JJT

FRAME ASSEMBLY FOR WP-3000-0MIB (AFTER SERIAL #10070000)							
REF. #	DESCRIPTION	PART #	QTY.	REF. #	DESCRIPTION	PART #	QTY.
1	Decal- 3000 Die Cut	34-0775	1	22	Locknut	30-0159	4
2	Decal- Placard	34-0737	1	23	Decal- Caution: Risk of Fire (See 34-9014)	N/A Sep.	1
3	Decal- Warning/Caution/Operating (See 34-9014)	N/A Sep.	1	24	Decal- Warning: Risk of Burns (See 34-9014)	N/A Sep.	1
4	Front Handle Assembly	7-0194A01	1	25	Engine- 10HP Intek I/C	1-0116	1
5	Grommet	33-0001	5	26	Key	43-0078	1
6	Nozzle- 1503.5	18-0258	1	27	Pump	3-0147	1
-	Nozzle- 2503.5	18-0259	1	28	Washer	28-0022	4
-	Nozzle- 6540	18-0148	1	29	Lockwasher	29-0008	4
7	Frame	5-0254A01	1	30	Bolt	27-0118	4
8	Locknut	30-0157	6	31	Detergent Hose *(Four Feet Required)	15-0021	1
9	Isolator	14-0008	2	32	Detergent Strainer	19-0050	1
10	Bolt	27-0068	2	33	Hose Assembly (Inc. 18, 34-35)	851-0007	1
11	Bolt	27-0067	4	34	Quick Connect Plug	17-0006	1
12	Decal- Data Plate	N/A	1	35	Pressure Hose	15-0003	1
13	Wheel	14-0017	2	36	Decal- Warning: Risk of Injection (See 34-9014)	N/A Sep.	1
14	Jam Nut	30-0117	2	37	O-ring	25-0122	1
15	Garden Hose Swivel	23-0095	1	38	Gun/Wand Assembly (Inc. 39-43)	851-0095	1
16	Inlet Filter Washer	19-0001	1	39	Quick Connect Socket	17-0001	1
17	O-ring (Replacement Only)	25-0123	-	40	Wand w/Handle	16-0418	1
18	Quick Connect Socket	17-0004	1	41	Handle Grip	7-0002	1
19	Thermal Relief Valve	22-0005	1	42	Gun	16-0001	1
20	Bolt	27-0121	4	43	Quick Connect Plug	17-0005	1
21	Flatwasher	28-0023	8		Safety Decal Kit (Inc. 3, 23-24, 36)	34-9014	

*Must Order in One Foot Lengths

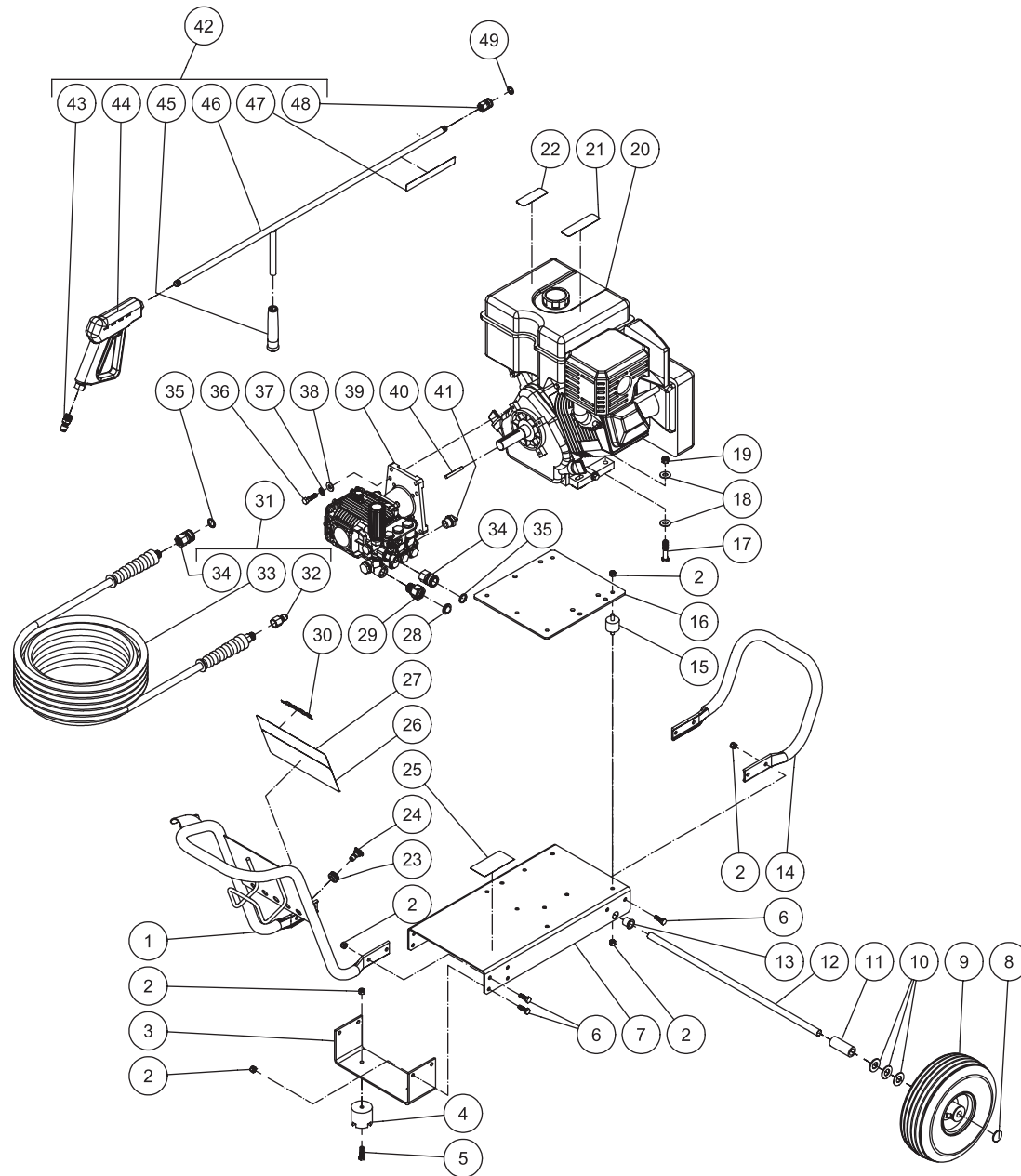
FRAME ASSEMBLY FOR WP-3003-0MHB/RB (AFTER SERIAL #10070000)



WP-3003-0MHB/RB-042806-JJT

FRAME ASSEMBLY FOR WP-3003-0MHB/RB (AFTER SERIAL #10070000)							
REF. #	DESCRIPTION	PART #	QTY.	REF. #	DESCRIPTION	PART #	QTY.
1	Decal- 3000 Die Cut	34-0775	1	23	Decal- Caution: Risk of Fire (See 34-9014)	N/A Sep.	1
2	Decal- Placard	34-0737	1	24	Decal- Warning: Risk of Burns (See 34-9014)	N/A Sep.	1
3	Decal- Warning/Caution/Operating (See 34-9014)	N/A Sep.	1	25	Engine- 9.0HP Honda (WP-3003-0MHB)	1-0065	1
4	Handle Assembly	7-0194A01	1	-	Engine- 9.0HP Subaru (WP-3003-0MRB)	1-0134	1
5	Grommet	33-0001	1	26	Key	43-0078	1
6	Nozzle- 1503.5	18-0258	1	27	Pump	3-0147	1
-	Nozzle- 2503.5	18-0259	1	28	Washer	28-0022	4
-	Nozzle- 6540	18-0148	1	29	Lockwasher	29-0008	4
7	Frame	5-0254A01	1	30	Bolt	27-0118	4
8	Locknut	30-0157	6	31	Detergent Hose *(Four Feet Required)	15-0021	1
9	Isolator	14-0008	2	32	Detergent Strainer	19-0050	1
10	Bolt	27-0068	2	33	Pressure Hose Assembly (Inc. 18, 34-35)	851-0007	1
11	Bolt	27-0067	4	34	Quick Connect Plug	17-0006	1
12	Decal- Data Plate	N/A	1	35	Hose	15-0003	1
13	Wheel	14-0017	2	36	Decal- Warning: Risk of Injection (See 34-9014)	N/A Sep.	1
14	Jam Nut	30-0117	2	37	O-ring (Replacement Only)	25-0122	-
15	Garden Hose Swivel	23-0095	1	38	Gun/Wand Assembly (Inc. 39-43)	851-0095	1
16	Inlet Filter Washer w/Screen	19-0001	1	39	Quick Connect Socket	17-0001	1
17	O-ring (Replacement Only)	25-0123	-	40	Wand w/Handle	16-0418	1
18	Quick Connect Socket	17-0004	2	41	Wand Grip	7-0002	1
19	Thermal Relief Valve	22-0005	1	42	Gun	16-0001	1
20	Bolt	27-0121	4	43	Quick Connect Plug	17-0005	1
21	Flatwasher	28-0023	8		Safety Decal Kit (Inc. 3, 23-24, 36)	34-9014	
22	Locknut	30-0159	4	*Must Order in One Foot Lengths			

FRAME ASSEMBLY FOR WP-3003-0MVB (AFTER SERIAL #10070000)



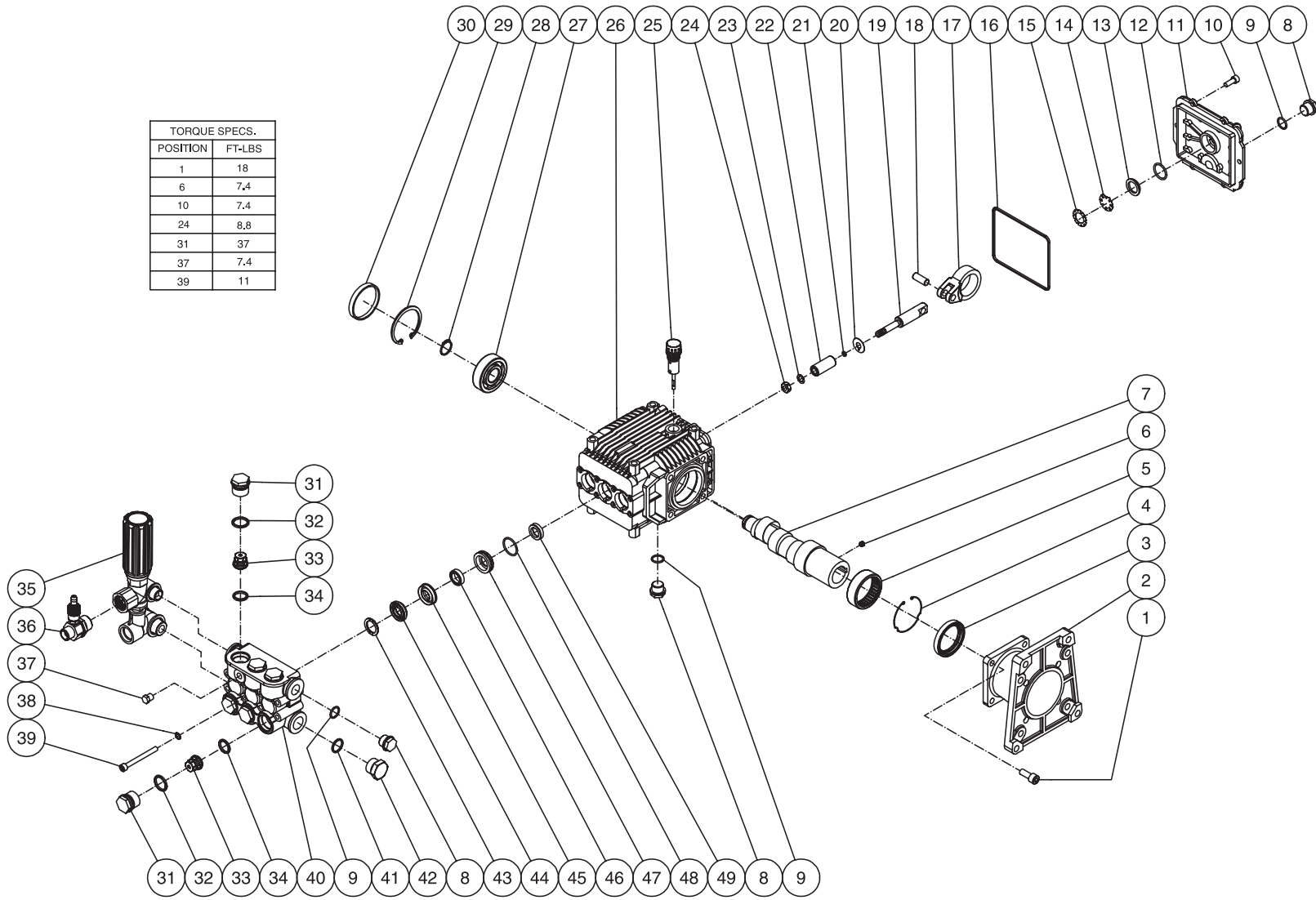
WP-3003-0MVB-042806-JJT

FRAME ASSEMBLY FOR WP-3003-0MVB							
REF. #	DESCRIPTION	PART #	QTY.	REF. #	DESCRIPTION	PART #	QTY.
1	Front Handle Assembly	7-0194A01	1	25	Decal- Data Plate	N/A	1
2	Locknut	30-0157	22	26	Decal- Warning/Caution/Operation (See 34-9014)	N/A Sep.	1
3	Support Bracket	13-0165A01	1	27	Decal- Placard	34-0737	1
4	Isolator	14-0008	2	28	Inlet Filter Washer w/Screen	19-0001	1
5	Bolt	27-0068	2	29	Garden Hose Swivel	23-0095	1
6	Bolt	27-0067	12	30	Decal- Die Cut 3000	34-0775	1
7	Baseplate	5-0228A01	1	31	Pressure Hose Assembly (Inc. 32-34)	N/A Sep.	1
8	Cap Hub	33-0018	2	32	Quick Connect Plug	17-0006	1
9	Wheel	14-0017	2	33	Hose	15-0003	1
10	Washer	28-0008	7	34	Quick Connect Socket	17-0004	2
11	Spacer	62-0189	2	35	O-ring	25-0123	2
12	Axle	20-0748	1	36	Bolt	27-0118	4
13	Bushing	62-0175	2	37	Lockwasher	29-0008	4
14	Rear Handle	7-0195A01	1	38	Washer	28-0022	4
15	Isolator	14-0097	4	39	Pump	3-0147	1
16	Isolation Plate	5-0229A01	1	40	Key	43-0078	1
17	Bolt	27-0121	4	41	Thermal Relief Valve	22-0005	1
18	Flatwasher	28-0023	8	42	Gun/Wand Assembly (Inc. 43-48)	851-0095	1
19	Locknut	30-0159	4	43	Quick Connect Plug	17-0005	1
20	Engine- 9.0HP Vanguard	1-0070	1	44	Gun	16-0001	1
21	Decal- Warning: Risk of Burns (See 34-9014)	N/A Sep.	1	45	Wand Grip	7-0002	1
22	Decal- Caution: Risk of Fire (See 34-9014)	N/A Sep.	1	46	Wand Handle	16-0418	1
23	Grommet	33-0001	5	47	Decal- Warning: Risk of Injection (See 34-9014)	N/A Sep.	1
24	Nozzle- 1503.5	18-0258	1	48	Quick Connect Socket	17-0001	1
-	Nozzle- 2503.5	18-0259	1	49	O-ring	25-0122	1
-	Nozzle- 6540	18-0148	1		Safety Decal Kit (Inc. 21-22, 26, 47)	34-9014	

*Must Order in One Foot Lengths

PUMP ASSEMBLY (3-0147)

TORQUE SPECS.	
POSITION	FT-LBS
1	18
6	7,4
10	7,4
24	8,8
31	37
37	7,4
39	11

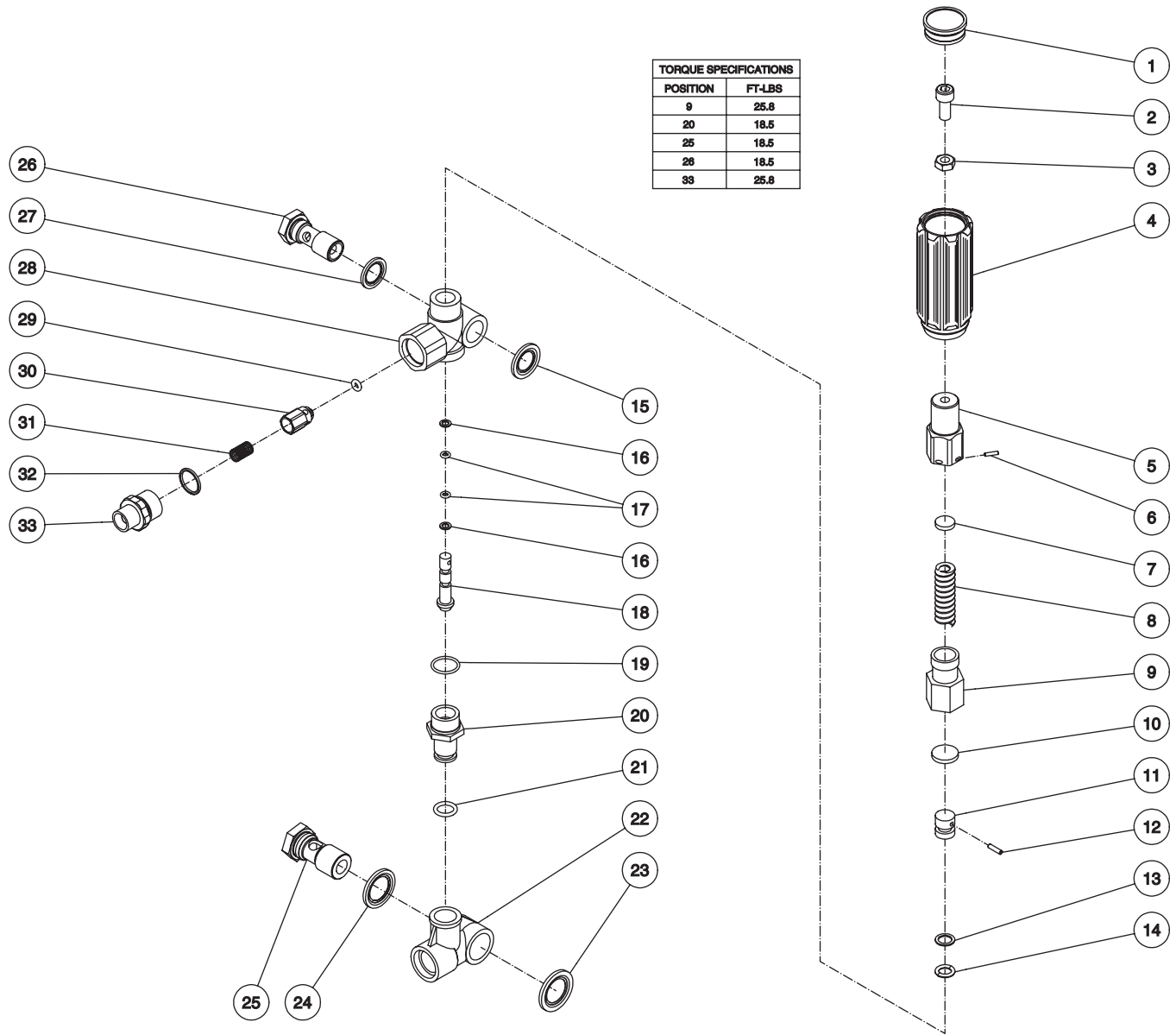


3-0147-020305-JJF

PUMP ASSEMBLY (3-0147)							
REF. #	DESCRIPTION	PART #	QTY.	REF. #	DESCRIPTION	PART #	QTY.
1	Bolt	27-8432	4	27	Bearing	48-0063	1
2	Flange	46-0714	1	28	Retaining Ring	46-0732	1
3	Oil Seal	26-0192	1	29	Retaining Ring	46-0676	1
4	Retaining Ring	46-0667	1	30	Bearing Cap	46-0725	1
5	Needle Bearing	48-0059	1	31	Valve Cap	39-0087	6
6	Set Screw	27-8886	1	32	O-ring	25-0160	6
7	Crankshaft	46-0717	1	33	Single Valve Assy. (See 70-0161)	N/A Sep.	6
8	Plug	39-0086	3	34	O-ring	25-0386	6
9	O-ring	25-0325	3	35	Unloader	8-0456	1
10	Bolt	27-8888	6	36	Detergent Injector	70-0196	1
11	Crankcase Cover	46-0719	1	37	Plug	39-0097	1
12	O-ring	25-0370	1	38	Lockwasher	29-0153	8
13	Oil Sight Glass	46-0670	1	39	Bolt	27-8875	8
14	Reflector	46-0824	1	40	Manifold	46-0730	1
15	Retainer	46-0671	1	41	O-ring	25-0372	1
16	O-ring	25-0398	1	42	Plug	39-0088	1
17	Connecting Rod	46-0720	3	43	Support Ring (See 70-0182)	N/A Sep.	3
18	Piston Pin	46-0721	3	44	V-Packing (See 70-0181)	N/A Sep.	3
19	Plunger Rod	46-0722	3	45	Packing Retainer	46-0728	3
20	Slinger Washer	28-1027	3	46	Low Pressure Seal	46-0727	3
21	O-ring	25-0371	3	47	Low Pressure Retainer	46-0726	3
22	Piston	46-0723	3	48	O-ring	25-0399	3
23	Washer	26-0187	3	49	Low Pressure Seal	N/A	3
24	Nut	30-6016	3		High Pressure Seal Kit (Inc. 3 each 43 46, 48)	70-0181	
25	Oil Dipstick	39-0090	1		Support Ring Kit (Includes 3 each 43)	70-0182	
26	Crankcase	46-0724	1		Valve Kit (Includes 6 each 33-34)	70-0161	

UNLOADER ASSEMBLY (8-0456)

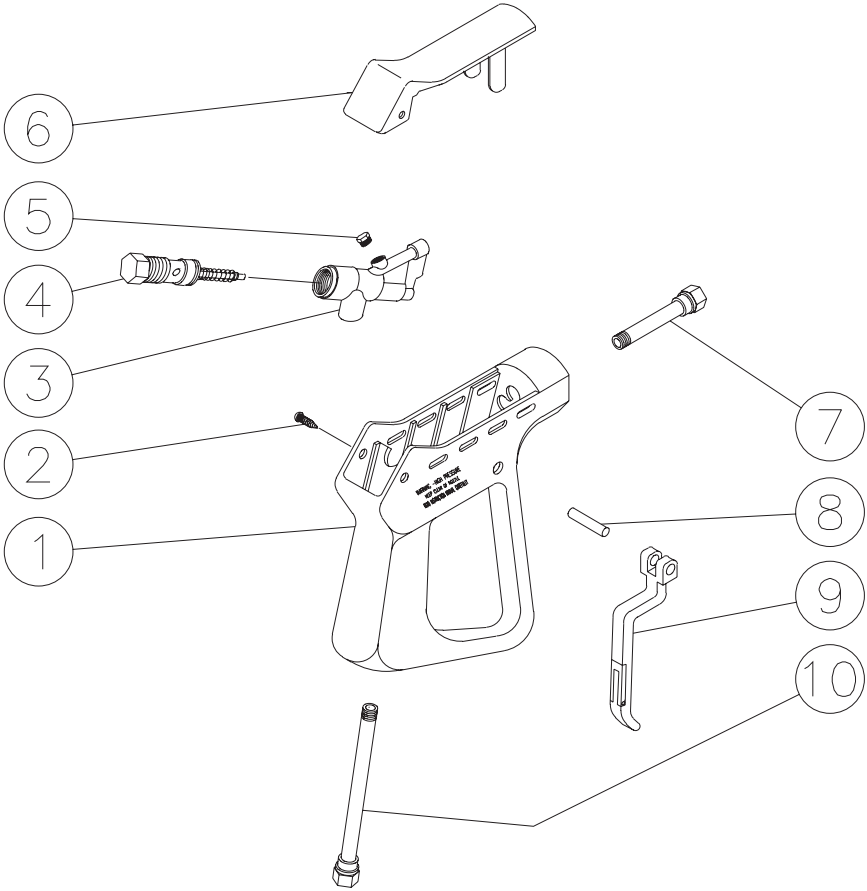
TORQUE SPECIFICATIONS	
POSITION	FT-LBS
9	25.8
20	18.5
25	18.5
26	18.5
33	25.8



8-0456-102004-JJF

UNLOADER ASSEMBLY (8-0456)							
REF. #	DESCRIPTION	PART #	QTY.	REF. #	DESCRIPTION	PART #	QTY.
1	Unloader Cap	7-0142	1	18	Piston	8-0442	1
2	Bolt	27-8433	1	19	O-ring	25-0389	1
3	Nut	30-3025	1	20	Nipple	8-0441	1
4	Unloader Knob	7-0141	1	21	O-ring	25-0388	1
5	Adjustment Barrel	8-0476	1	22	Inlet Bypass Adapter	8-0437	1
6	Pin	8-0477	1	23	Washer	8-0439	1
7	Spring Button	8-0475	1	24	Washer	8-0440	1
8	Spring	49-0132	1	25	Adapter	8-0438	1
9	Spring Guide	8-0474	1	26	Adapter	8-0448	1
10	Spring Button	8-0445	1	27	Washer	8-0449	1
11	Poppet	8-0443	1	28	Unloader Body	8-0451	1
12	Pin	8-0444	1	29	O-ring	25-0391	1
13	Back-up Ring	25-0396	1	30	Check Valve	8-0454	1
14	O-ring	25-0390	1	31	Check Valve Spring	49-0123	1
15	Washer	8-0450	1	32	O-ring	25-0372	1
16	Back-up Ring	25-0395	2	33	Adapter Nipple	24-0159	1
17	O-ring	25-0371	2		Unloader Repair Kit (Inc. 13, 14, 16, 17, 19, 21, 29)	70-0180	

GUN ASSEMBLY (16-0001)



16-0001-110399-RD

GUN ASSEMBLY (16-0001)			
REF. #	DESCRIPTION	PART #	QTY.
1	Plastic Housing	16-0008	1
2	Screw	27-3230	2
3	Brass Housing	16-0012	1
4	Gun Repair Kit	70-0055	1
5	Brass Plug	39-0024	1
6	Plastic Cover	16-0009	1
7	Pipe Assembly	16-0013	1
8	Trigger Pin	16-0063	1
9	Trigger/Safety Lock-off	16-0010	1
10	Pipe Assembly- Inlet	16-0016	1
	Complete Gun Assembly	16-0001	1

