



Performance Under Pressure

PARTS LIST FOR
WP-2500-4MHB
(AFTER SERIAL #10397982)

WP-2500-4MRB

ENGINE OIL GRADE:	
HONDA:	SAE10W-30
SUBARU	SAE10W-30
ENGINE OIL CAPACITY:	20 oz.
PUMP OIL GRADE:	SAE 20W-40
PUMP OIL CAPACITY:	5.0 oz.
NOZZLE SIZE:	3.0

This Parts Listing has been compiled for your benefit. You can be assured your Mi-T-M Cold Water Pressure Washer was constructed and designed with quality and performance in mind using over 25 years experience in the pressure washer business. Each component has been rigorously tested to insure the highest level of acceptance.

The contents of this Parts Listing are based on the latest product information available at the time of publication. Mi-T-M reserves the right to make changes in price, color, materials, equipment, specifications or models at any time without notice.

WARNING

THIS IS A HIGH PRESSURE, COLD WATER PRESSURE WASHER. CAUTION SHOULD BE OBSERVED WHEN USING OR REPAIRING THIS UNIT! READ AND FOLLOW THE SAFETY WARNINGS LISTED BELOW BEFORE ATTEMPTING ANY REPAIRS ON THIS PRESSURE WASHER!

SAFETY WARNINGS

1. NEVER alter or modify the equipment. Be sure any accessory items and system components being used will withstand the pressure developed. Use only genuine Mi-T-M parts for repair of your pressure washer. Failure to do so can cause hazardous operating conditions and will VOID warranty.
2. NEVER make adjustments on machinery while the unit is connected to the engine without first removing the ignition cable from the spark plug. Turning over the machinery by hand during adjustment or cleaning might start the engine and machinery with it, causing serious injury to the operator.
3. Know how to stop and bleed pressures quickly. Be thoroughly familiar with controls.
4. Before servicing the unit, turn unit off, relieve the water pressure and allow the unit to cool down. Do not make repairs while the unit is running. Service in a clean, dry, flat area. Be especially careful to properly dispose of any flammable materials.
5. After testing the machine, DO NOT leave the pressurized unit unattended. Shut off the unit and release trapped pressure before leaving.

Table of Contents

SPECIFICATIONS	3
NOTES	4
FRAME ASSEMBLY WP-2500-4MHB (AFTER SERIAL #10397982)	6
FRAME ASSEMBLY WP-2500-4MRB	8
PUMP ASSEMBLY 3-0311	10

SPECIFICATIONS

MODEL NUMBER	WP-2500-4MHB	WP-2500-4MRB
Operating Pressure (PSI/Bar):	2500/138	
High Pressure Nozzle:	3.0	
Water Volume (GPM/lpm):	2.3/8.7	
Engine:	Honda	Subaru
Horsepower	5.0	7.0
Engine Type	4 Stroke, Overhead Valve, Single Cylinder	
Oil Type	SAE10W-30	
Oil Capacity (oz./liters)	20/.6	
Fuel Type	Unleaded Gasoline 86 Octane Minimum	
Fuel Capacity (gallon/ liters)	.5/2	.95/3.6
Starting	Recoil	
Maximum No Load RPM	3600 (+/- 100) RPM	
Pump:	Direct Driven, Oil Bath, Triplex Axial Piston	
Oil Type	SAE 20W-40	
Oil Capacity (oz./liters)	5.0/.15	
Plungers	Ceramic Coated	
Manifold	Forged Brass	
Valves	Stainless Steel	
Unloader	Preset	
Heat Dump Valve	Relieves heated water during unloader bypass stage	
Detergent Injector	Low pressure down stream from pump	
Unit Net Weight (lbs/Kg)	75/34	
Unit Shipping Weight (lbs/Kg)	87/39.5	
Unit Net Dimension (in/cm)	30Lx21Wx26H/76Lx53.5Wx66H	
Unit Shipping Dimension (in/cm)	30.5Lx21.5Wx26.5H/77.5Lx54.5Wx67.5H	

NOTES

SERIAL NUMBER BREAK

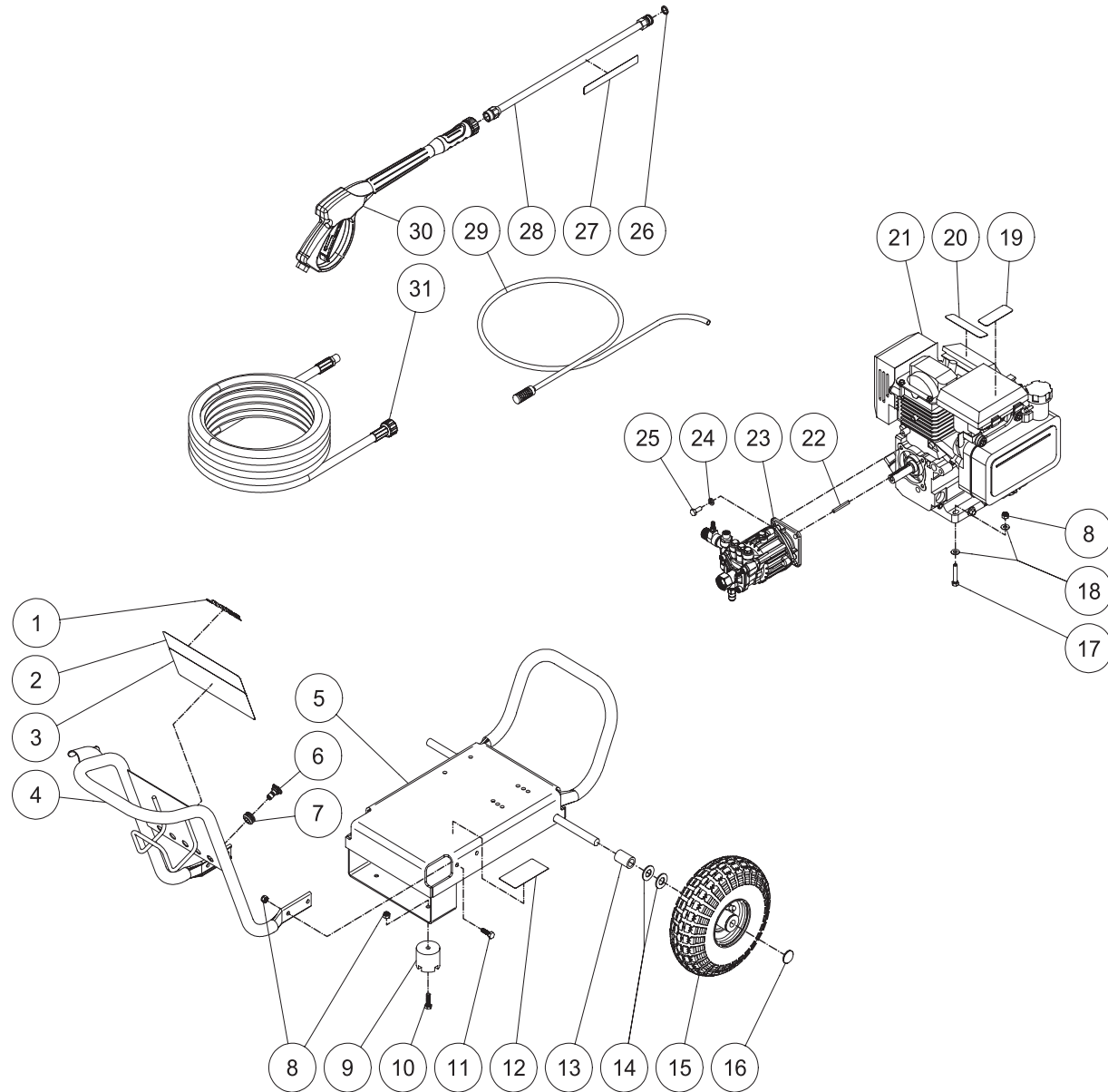
#10397982 (HONDA)

SERIAL NUMBER DISCRIPTION

CHANGED PUMP FROM 3-0260 TO 3-0311

NOTES

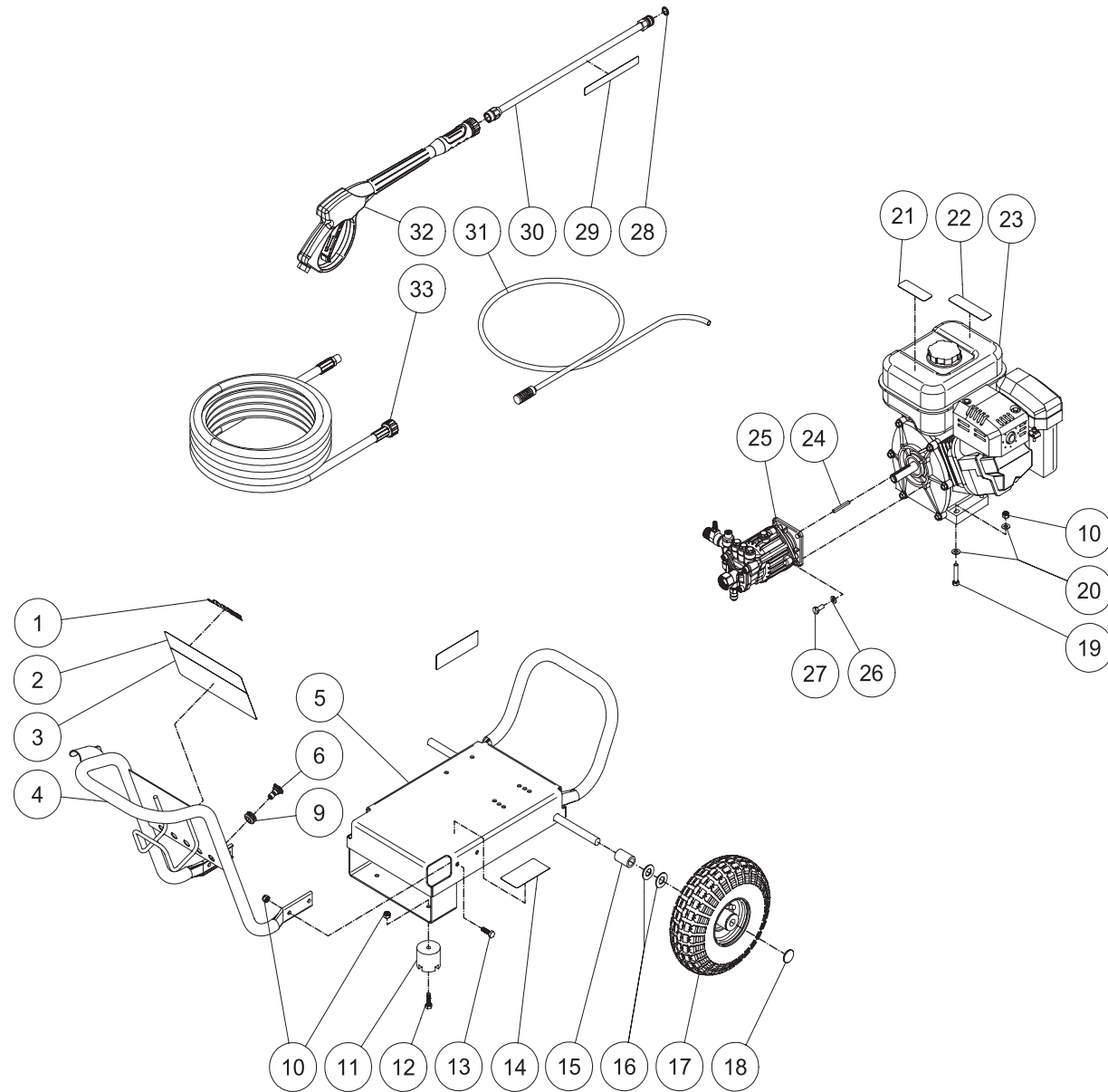
FRAME ASSEMBLY WP-2500-4MHB (AFTER SERIAL #10397982)



WP-2500-4MHB-060908-PJH

FRAME ASSEMBLY FOR WP-2500-4MHB								
REF. #	DESCRIPTION	PART #	QTY.		REF. #	DESCRIPTION	PART #	QTY.
1	Decal- Die Cut 2500	34-0773	1		16	Hubcap	33-0018	2
2	Decal- Work Pro Placard	34-0737	1		17	Bolt	27-0070	4
3	Decal- Warning/Caution/Operation (See 34-9014)	N/A Sep.	1		18	Washer	28-0003	8
4	Front Handle Assy	7-0194A01	1		19	Decal- Caution: Risk of Fire(See 34-9014)	N/A Sep.	1
5	Frame	5-0253A53	1		20	Decal- Warning: Muffler Hot (See 34-9014)	N/A Sep.	1
6	Nozzle- 1503.5	18-0150	1		21	Engine- 5.0 H.P. Honda	1-0104	1
-	Nozzle- 2503.5	18-0303	1		22	Key	43-0073	1
-	Nozzle- 6540	18-0148	1		23	Pump	3-0311	1
7	Grommet	33-0001	5		24	Lockwasher	29-0007	4
8	Locknut	30-0157	10		25	Bolt	27-0091	4
9	Isolator	14-0008	2		26	O-ring (Replacement Only)	25-0122	-
10	Bolt	27-0068	2		27	Decal- Warning: Risk of Injection (See 34-9014)	N/A Sep.	1
11	Bolt	27-0067	4		28	Lance Assembly	16-0366	1
12	Decal- Data Plate	N/A	1		29	Detergent Strainer	19-0233	1
13	Axle Spacer	62-0176	2		30	Gun/Wand Assembly	16-0441	1
14	Washer	28-0008	4		31	Pressure Hose	15-0269	1
15	Wheel	14-0113	2			Safety Decal Kit (Inc. 3, 19-20, 27)	34-9014	
*Must Order in One Foot Lengths								

FRAME ASSEMBLY WP-2500-4MRB

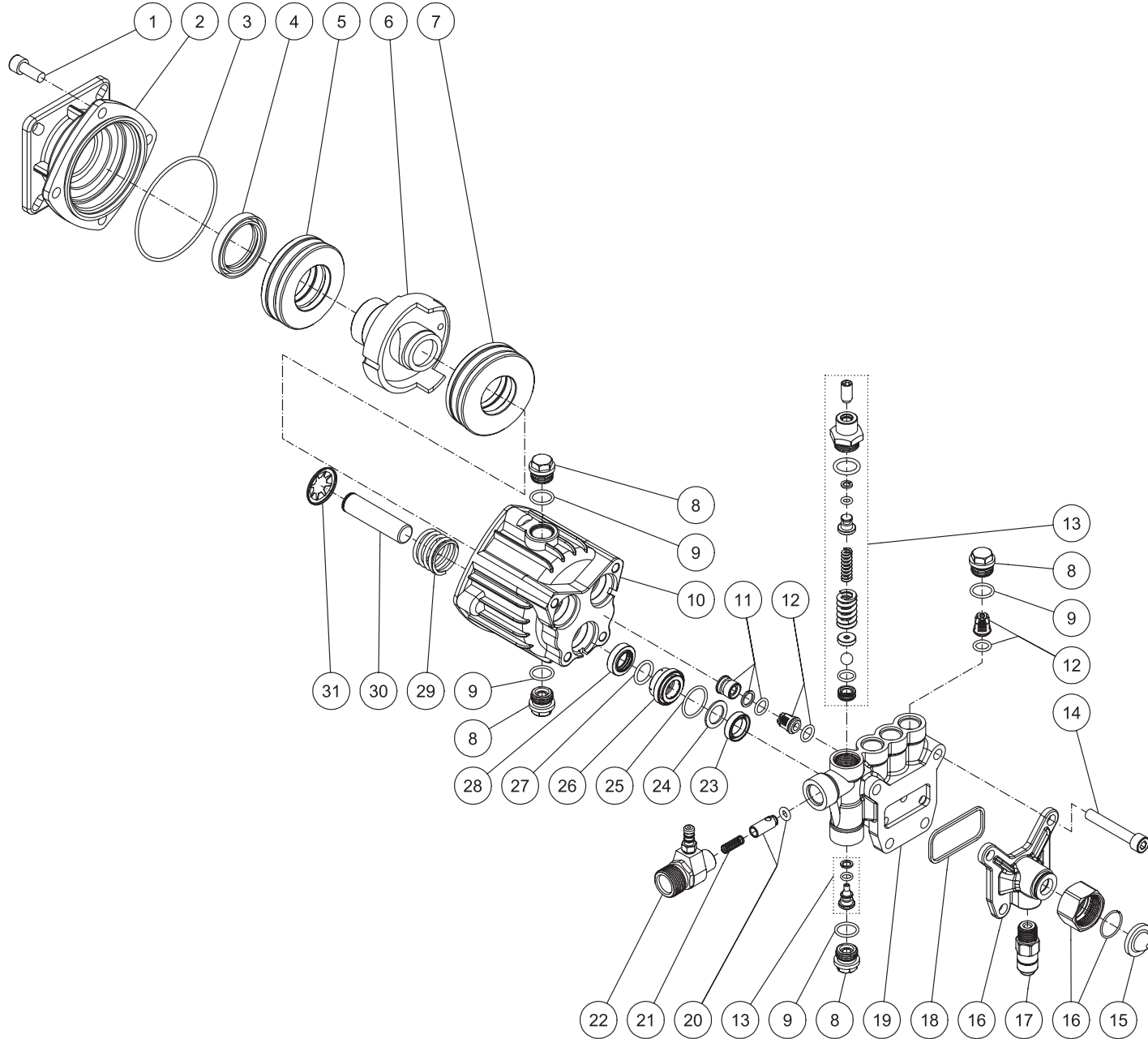


WP-2500-4MRB-082009-AJH

FRAME ASSEMBLY FOR WP-2500-4MRB

ITEM	DESCRIPTION	PART #	QTY					
					18	CAP	33-0018	2
1	DECAL - 2500 PSI	34-0773	1		19	BOLT	27-0070	4
2	DECAL - WORK PRO PLACARD	34-0737	1		20	WASHER	28-0003	8
3	DECAL - WARNING/CAUTION/OPERATION	N/A	1		21	DECAL - RISK OF FIRE (SEE 34-9014)	N/A	1
4	HANDLE	7-0194	1		22	DECAL - RISK OF BURNS (SEE 34-9014)	N/A	1
5	BASEPLATE	5-0253	1		23	ENGINE- 7.0 H.P. SUBARU	1-0133	1
6	NOZZLE	18-0150	1		24	KEY	43-0073	1
7	NOZZLE	18-0303	1		25	PUMP	3-0311	1
8	NOZZLE	18-0148	1		26	LOCKWASHER	29-0007	4
9	GROMMET	33-0001	5		27	BOLT	27-0091	4
10	LOCKNUT	30-0157	10		28	O-RING	25-0122	1
11	ISOLATOR	14-0008	2		29	DECAL - RISK OF INJECTION (SEE 34-9014)	N/A	1
12	BOLT	27-0068	2		30	LANCE ASSEMBLY	16-0366	1
13	BOLT	27-0067	4		31	DETERGENT HOSE	19-0233	1
14	DECAL- SILVER STICKER	N/A	1		32	GUN & WAND - 4000 PSI	16-0441	1
15	SPACER	62-0176	2		33	HOSE	15-0269	1
16	WASHER	28-0008	4		34	DECAL - WORK PRO 2500 PSI	34-2204	1
17	WHEEL	14-0113	2		35	DECAL SET	34-9014	1

PUMP ASSEMBLY 3-0311



3-0311-040308-JJT

PUMP ASSEMBLY (3-0311)							
REF. #	DESCRIPTION	PART #	QTY.	REF. #	DESCRIPTION	PART #	QTY.
1	Screw	27-8432	4	18	Inlet Body Seal	26-0327	1
2	Flange	46-1330	1	19	Pump Head	N/A	1
3	O-Ring	25-0605	1	20	Non Return Valve Kit	70-0511	1
4	Oil Seal	26-0320	1	21	Non Return Valve Spring	46-1332	1
5	Rear Bearing	N/A	1	22	Outlet Assy Kit	70-0510	1
6	Wobble Plate Assy	N/A	1	23	Water Seal	N/A	3
7	Front Bearing	N/A	1	24	Water Seal Washer	N/A	3
8	Plug	39-0233	6	25	O-Ring	26-0325	3
9	O-Ring	25-0606	6	26	Locating Ring	N/A	3
10	Pump Housing	N/A	1	27	O-Ring	46-1331	3
11	Inlet Plug Assy Kit	N/A	3	28	Oil Seal	N/A	3
12	Valve Assy	N/A	6	29	Plunger Spring	26-0325	3
13	Unloader Kit	70-0513	1	30	Piston	N/A	3
14	Bolt	27-9569	4	31	Spring Disk	N/A	3
15	Inlet Filter	19-0001	1		Inlet Plug Kit (Inc. 3 of 11)	70-0512	1
16	Inlet Assy Kit	70-0514	1		Packing Kit (Inc. 3 of 23, 24, 25, 27)	70-0515	1
17	Thermal Relief Valve	22-0408	1		Valves Kit (Inc. 6 of 12)	70-0516	1

Manufactured by Mi-T-M
8650 Enterprise Drive, Peosta IA 52068
563-556-7484/ Fax 563-556-1235