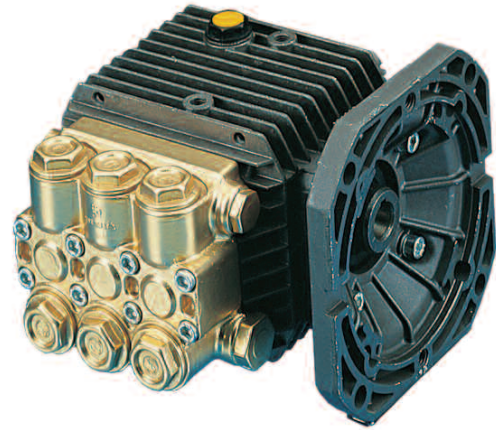


FEATURES

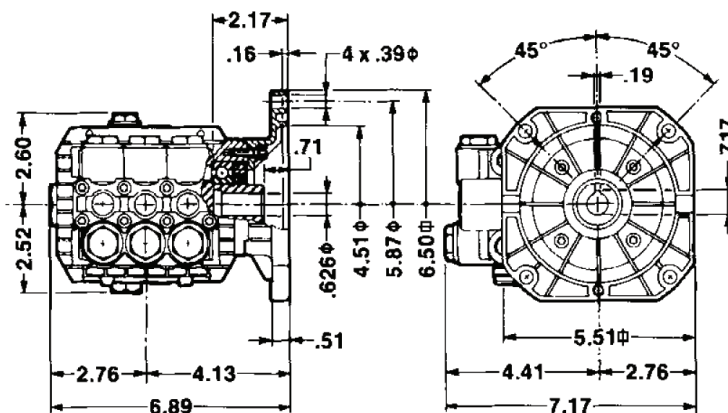
- Forged brass manifold with exclusive lifetime warranty
- Die-cast anodized aluminum, oil-bath crankcase
- Solid ceramic plungers with continuously lubricated packings
- The original Interpump unitized, stainless steel, K01 inlet and outlet valves
- Ideal for all general cleaning, RO and misting applications
- Comes standard with NEMA 56C electric motor mounting flange
- Also available in "L" left-handed versions



SPECIFICATIONS

Pump Model	TT15025EBF	TT1505EBF
Maximum Volume	0.25 GPM	0.5 GPM
Maximum Discharge Pressure	1500 PSI	
Maximum Pump Speed	1750 RPM	
Maximum Inlet Pressure	125 PSI	
Minimum Inlet Pressure	3 ft. water (2.6 in. Hg)	
Plunger Bore (in / mm)	.591 in. / 15 mm	.709 in. / 18 mm
Plunger Stroke (in / mm)	.079 in. / 2 mm	
Oil Capacity	11.2 oz.	
Maximum Fluid Temperature	165°F	
Inlet Port Thread	3/8-19 BSPP-F	
Discharge Port Thread	1/4-19 BSPP-F	
Shaft Diameter	5/8 in. / 16 mm	
Weight	11.5 lbs.	
Dimensions	7.0" x 7.2" x 5.5"	

DIMENSIONAL DRAWING

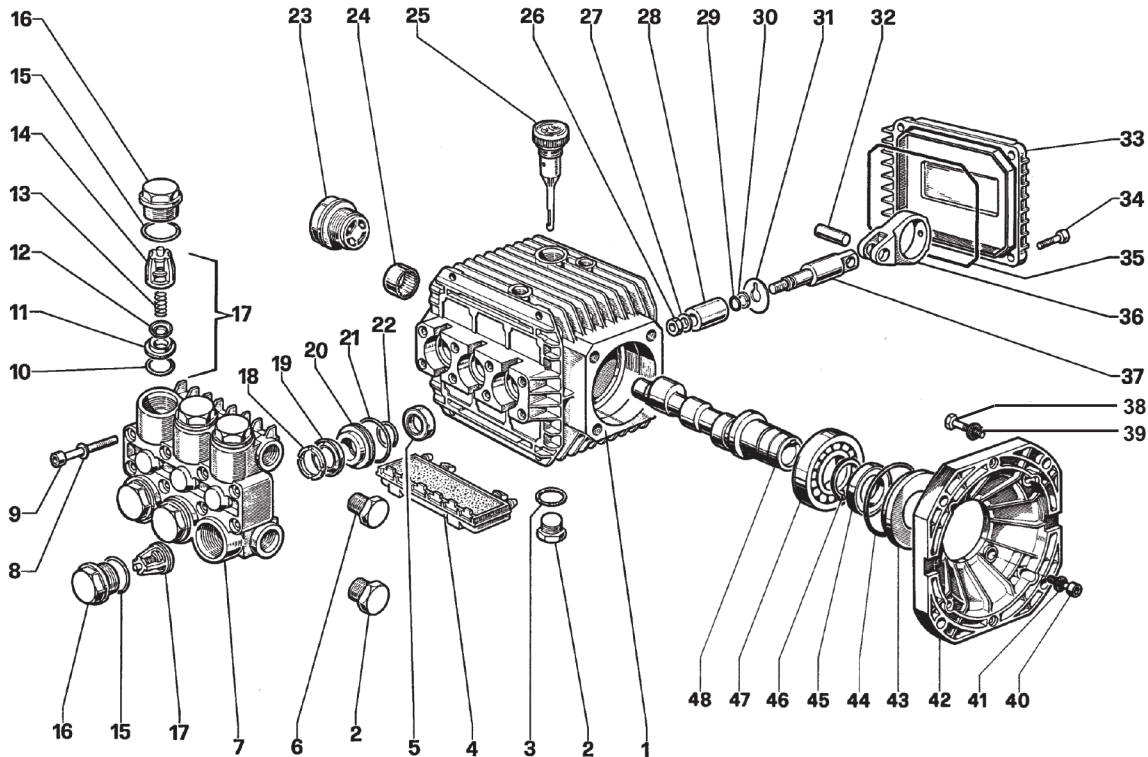


TRIPLEX

TRIPLEX

TT Series 51, EBF

GENERAL PUMP *A member of the Interpump Group*



PARTS LIST

ITEM	PART NO.	DESCRIPTION	KIT NO.	QTY.	ITEM	PART NO.	DESCRIPTION	KIT NO.	QTY.	ITEM	PART NO.	DESCRIPTION	KIT NO.	QTY.
1.	51010622	Crankcase		1	18.	51100051	Head Ring, 15 mm		3	32.	97731000	Connecting Rod Pin		3
2.	98210000	Plug, 3/8-BSPP		2		51100151	Head Ring, 18mm		3	33.	51160022	Crankcase Cover		1
3.	90383300	O-ring		1	19.	90262000	Packing		3	34.	99186700	Screw, M6 x 18		4
4.	51209102	Protector		1		90268100	Packing, 18mm		3	35.	90391700	Gasket		1
5.	90156500	Oil Seal		3	20.	51080070	Packing Retainer		3	36.	51030022	Connecting Rod End		4
6.	98204100	Plug		1	21.	90360400	O-ring		3	37.	51050056	Piston Guide		3
7.	51120023	Manifold, Alum., 15mm		1	22.	90383500	O-ring, 15 mm		3	38.	99334500	Screw, 3/8-BSPP		4
	51120041	Manifold, Brass, 15mm		1		90384300	O-ring, 18mm		3	39.	96710400	Washer, M10, Schnorr		4
	51120441	Manifold, Brass, 18mm		1	23.	97596800	Sight Gauge		1	40.	99186700	Screw, M6 x 18		4
8.	96693800	Washer, M6.4		12	24.	91801500	Needle Bearing		1	41.	96693800	Washer, M6.4, Schnorr		4
9.	99194300	Screw, M6 x 40		12	25.	98210300	Oil Dip Stick		1	42.	10034422	Flange		1
10.	90384100	O-ring		6	26.	92221600	Nut, M8		3	43.	50211551	Spacer		1
11.	36200366	Valve Seat		6	27.	96700800	Washer, M8		3	44.	90409700	O-ring		1
12.	36200176	Valve Plate		6	28.	51040009	Plunger, 15 mm		3	45.	90164400	Oil Seal		1
13.	97437600	Spring		6		51040109	Plunger, 18mm		3	46.	90066700	Snap Ring		1
14.	36200251	Valve Cage		6	29.	90357200	O-ring		3	47.	20283521	Bearing		1
15.	90384700	O-ring		6	30.	90502200	Back-up Ring		3	48.	51022265	Crankshaft		1
16.	98221800	Valve Cap		6	31.	96707000	Washer, Flinger		3					
17.	36703201	Valve Assembly		6										

REPAIR KITS

KIT NO.	1	83	84	86 (15 mm)	96 (15mm)	97 (15mm)	139 (18mm)	140 (18mm)	141 (18mm)
ITEM NO's INCLUDED IN KIT	10, 11, 12, 13, 14 (17)	5	15, 16	20, 21, 22	18, 19, 20, 21, 22	18, 19, 21, 22	20, 21, 22	18, 19, 20, 21, 22	18, 19, 21, 22
NUMBER OF ASSEMBLIES IN KIT	6	3	6	3	1	3	3	1	3
NUMBER OF CYLINDERS KIT WILL SERVICE	3	3	3	3	1	3	3	1	3

TORQUE SPECS*

Position	Ft. Lbs.
2	29.4
6	14.7
9	8.8
16	33.1
23	13.2
26	11.0
34	7.3
38	22.1
40	7.3
49	14.7
52	7.3

* Decrease torque by 20% if threads are lubricated

GENERAL PUMP 1174 Northland Drive • Mendota Heights, MN 55120
 Phone: (651)686-2199 • Fax: (800)535-1745 • e-mail: sales@gpcompanies.com • www.generalpump.com

Ref 300627 Rev. C
03-10

