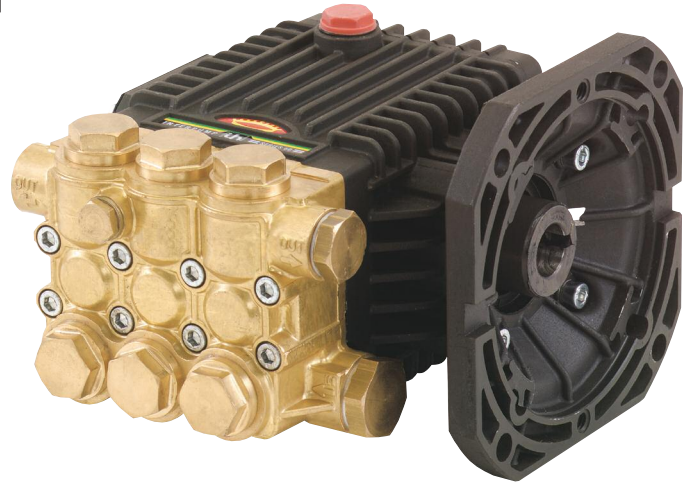


FEATURES

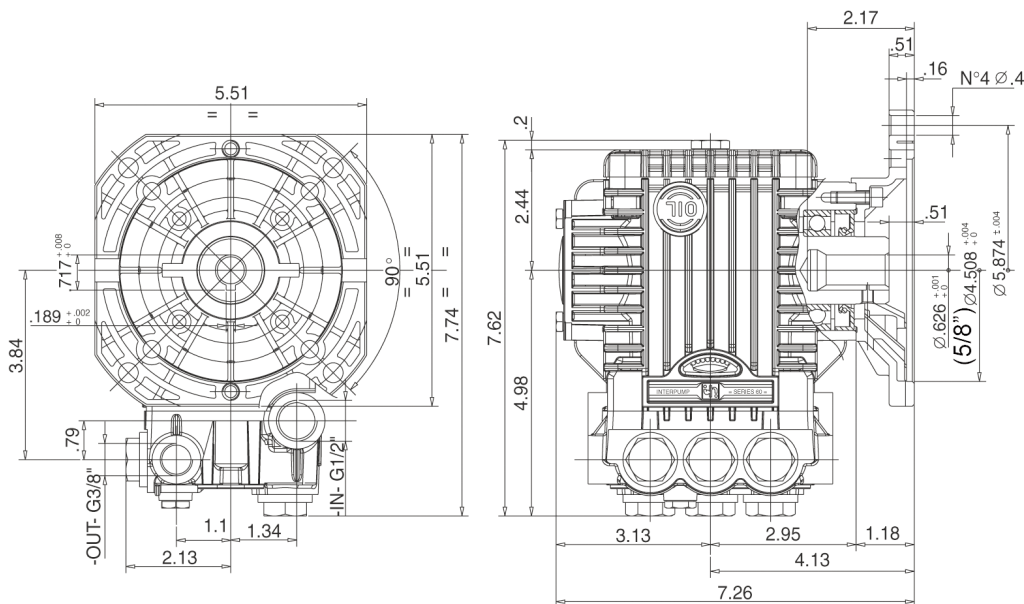
- Compact design
- 5/8" hollow shaft, flanged for direct couple to electric motors (NEMA 56C)
- Oversized bearings for long life
- New generation seal system for longer life
- Forged brass manifold with an exclusive lifetime warranty*



SPECIFICATIONS

Pump Model	TC1504E345	TC1505E345	TC1506E345	TC1507E345
Maximum Volume	1.75	2.1 GPM	2.6 GPM	3.0 GPM
Maximum Discharge Pressure	2700 PSI	2700 PSI	2700 PSI	2700 PSI
Horsepower	3.2 EBHP	3.88 EBHP	4.81 EBHP	5.55 EBHP
Maximum Pump Speed	3400 RPM			
Maximum Inlet Pressure	125 PSI			
Minimum Inlet Pressure	FLOODED			
Plunger Bore (in / mm)	.591 in. / 15 mm			
Plunger Stroke (in / mm)	.158 in. / 4.0 mm	.197 in / 5.0 mm	.256 in / 6.5 mm	.283 in / 7.2 mm
Oil Capacity	11.8 oz			
Maximum Fluid Temperature	165°F			
Inlet Port Thread	1/2" - 14 BSP-F			
Discharge Port Thread	3/8" - 19 BSP-F			
Shaft Diameter	.626 in / 16 mm			
Weight	15.1 lbs			
Dimensions	7.8" x 7.3" x 5.5"			

DIMENSIONAL DRAWING

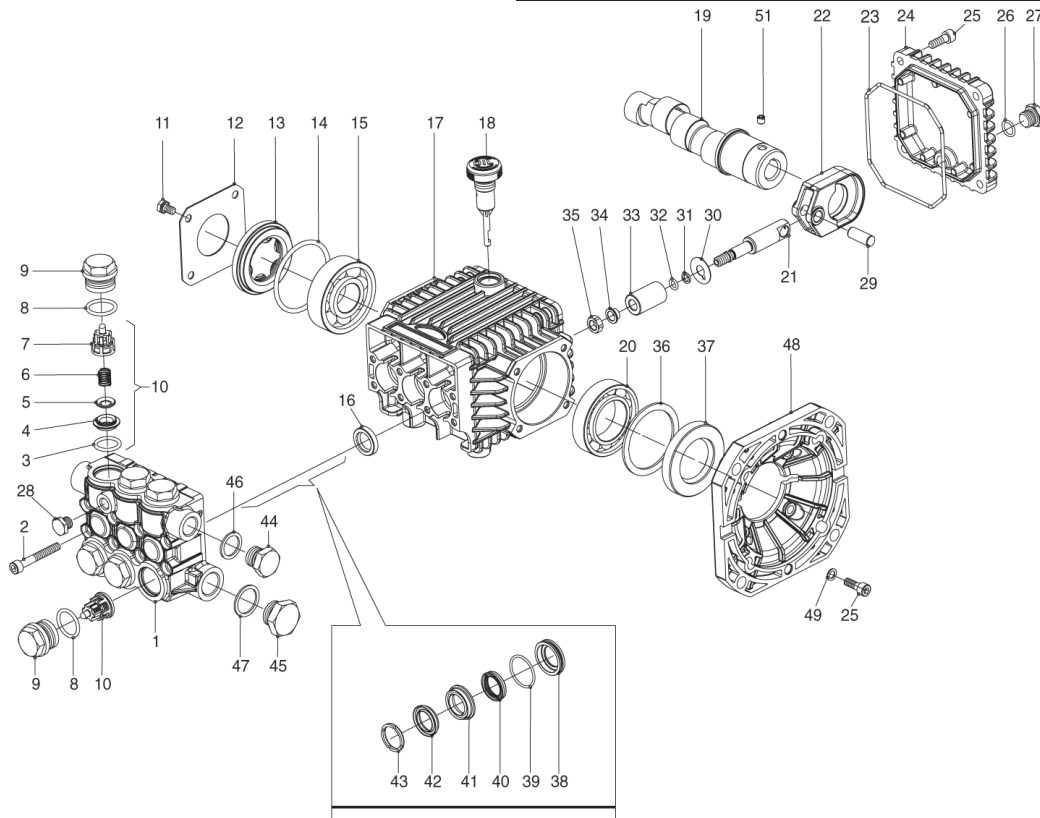


General Pump
is a member of
the Interpump Group



TC Series "60"

GENERAL PUMP *A member of the Interpump Group*



PARTS LIST

ITEM	PART NO.	DESCRIPTION	KIT NO.	QTY.	ITEM	PART NO.	DESCRIPTION	KIT NO.	QTY.	ITEM	PART NO.	DESCRIPTION	KIT NO.	QTY.
1.	60120041	Manifold, 15 mm		1	19.	60022465	Crankshaft, TC1505E345		1	34.	44211570	Bushing		3
2.	99195000	Screw, M6 x 45		8		60022765	Crankshaft, TC1506E345		1	35.	92221600	Nut, M8		3
3.	90384100	O-ring	123	6		60022965	Crankshaft, TC1507E345		1	36.	60210189	Spacer		1
4.	36200366	Valve Seat	123	6		60022265	Crankshaft, TC1504E345		1	37.	90167500	Oil Seal		1
5.	36200176	Valve	123	6	20.	91846400	Bearing		1	38.	60080070	Packing Retainer, 15mm 200,226	3	3
6.	94737600	Spring	123	6	21.	60050066	Plunger Guide		3	39.	90360400	O-ring	200,225,226,227	3
7.	36202551	Valve Cage	123	6	22.	60030022	Connecting Rod		3	40.	90260800	Seal, LP, 15mm	196,226	3
8.	90384700	O-ring		6	23.	90391800	O-ring, Cover		1	41.	60216070	Intermediate Ring, 15	198,226	3
9.	98221400	Valve Cap		6	24.	60160022	Rear Crankcase Cover		1	42.	90262000	Seal, HP, 15mm	196,226	3
10.	36711501	Valve Assembly	123	6	25.	99186700	Screw, M6 x 18		8	43.	51100051	Head Ring, 15mm	196,226	3
11.	99180700	Screw, M6 x 10		4	26.	90358500	O-ring		1	44.	98210000	Plug, 3/8"		1
12.	50150074	Bearing Cover		1	27.	98204100	Plug, 1/4" G		1	45.	98217600	Plug, 1/2"		1
13.	44211801	Oil Level Indicator		1	28.	98196600	Plug, 1/8" G		1	46.	96738000	Gasket, Alum., 3/8"G		1
14.	90409700	O-ring		1	29.	97733300	Wrist Pin		3	47.	96751400	Gasket, Alum., 1/2"G		1
15.	91832800	Ball Bearing		1	30.	96707000	Washer		3	48.	10034422	Flange		1
16.	90156500	Oil Seal	83	3	31.	90502200	Anti-ext. Ring		3	49.	96693800	Washer		4
17.	60010022	Crankcase		1	32.	90357300	O-ring		3	51.	99179000	Screw, M6		1
18.	98210300	Oil Dip Stick		1	33.	60040009	Ceramic Plunger, 15mm		3					

REPAIR KITS

KIT NO.	K83	K123	K196 (15mm)	K198 (15mm)	K200 (15mm)	K226 (15mm)
ITEM NO's INCLUDED IN KIT	16	3, 4, 5, 6, 7 (10)	40, 42, 43	41	38, 39	38, 39, 40, 41, 42, 43
NUMBER OF ASSEMBLIES IN KIT	3	6	3	3	3	1
NUMBER OF CYLINDERS KIT WILL SERVICE	3	3	3	3	3	1

TORQUE SPECS*

Pos.	Ft/lb	Nm
2	8.8	12
9	59.0	80
11	7.4	10
25	7.4	10
27	14.7	20
28	9.6	13
35	11.1	15
44	29.5	40
45	29.5	40

* Decrease torque by 20% if threads are lubricated

Ref 300671 Rev. A
02/09

GENERAL PUMP 1174 Northland Drive • Mendota Heights, MN 55120
Phone: (651)686-2199 • Fax: (800)535-1745 • e-mail: sales@gpcompanies.com • www.generalpump.com

