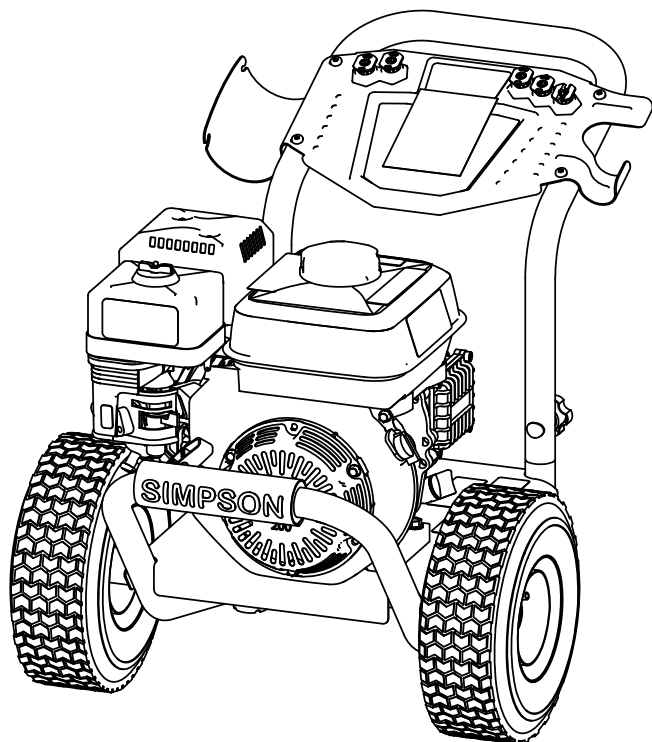


	ITEM	PART NO	DESCRIPTION	QTY.
	1	7109301	NOZZLE,#2.6 5PCSET 0, 15, 25, 40 & PSOAP	1
	2	7109208	HANDLE ASSEMBLY KIT, PS60842	1
	2.1	7107067	HOLDER, NOZZLE 2PC RUBBER STRIP	1
	2.2	7107068	HOLDER, NOZZLE 3PC RUBBER STRIP	1
	2.3	7109852	DASHBOARD BLACK 11.75" C-C, W/ LABELS	1
†	2.4		HANDLE, SILVER 11.75" C-C	1
	3	7107941	KNOB-BOLT ASSEMBLY	2
	4	7109853	PUMP SERVICE ASSY KIT	1
	4.1	530016	PUMP, C31 SERIES, HORZ TRIPLEX, 12X8.2	1
	4.2	7105474	HARDWARE KIT, PUMP MOUNTING	1
	4.3	7101506	KEY, SHAFT 3/16 X 3/16 X 1-1/2	1
	5	7109230	FRAME, BASE ASSY, 11.75 SILVER W/LABELS	1
	6	7109385	FOOT SERVICE KIT	2
	7	7103750	MOUNTING KIT, ENGINE	1
	8	7105013	WHEEL, SERVICE KIT	1
	9	7106671	HANDLE GRIP, SIMPSON BLACK W/ WHITE LETTERING	1
	10	7107269	ENGINE, HONDA GX200 RED/WHITE	1
	11	7102207	KIT, SVC ASSY SOAP HOSE W/PLASTIC FILTER	1
	12	7103550	LANCE, 16" W/ 1/4 QC AND M22(M)	1
	13	7108124	GUN 4500PSI, 6.6 GPM M22(M) x M22(F) OEM	1
	14	7107184	HOSE, 5/16" x 35' x 3700PSI MORFLEX M22	1
*	15	7102045	TOOL, NOZZLE CLEANING, UNIVERSAL	1

* NOT SHOWN

† NOT SOLD SEPARATELY

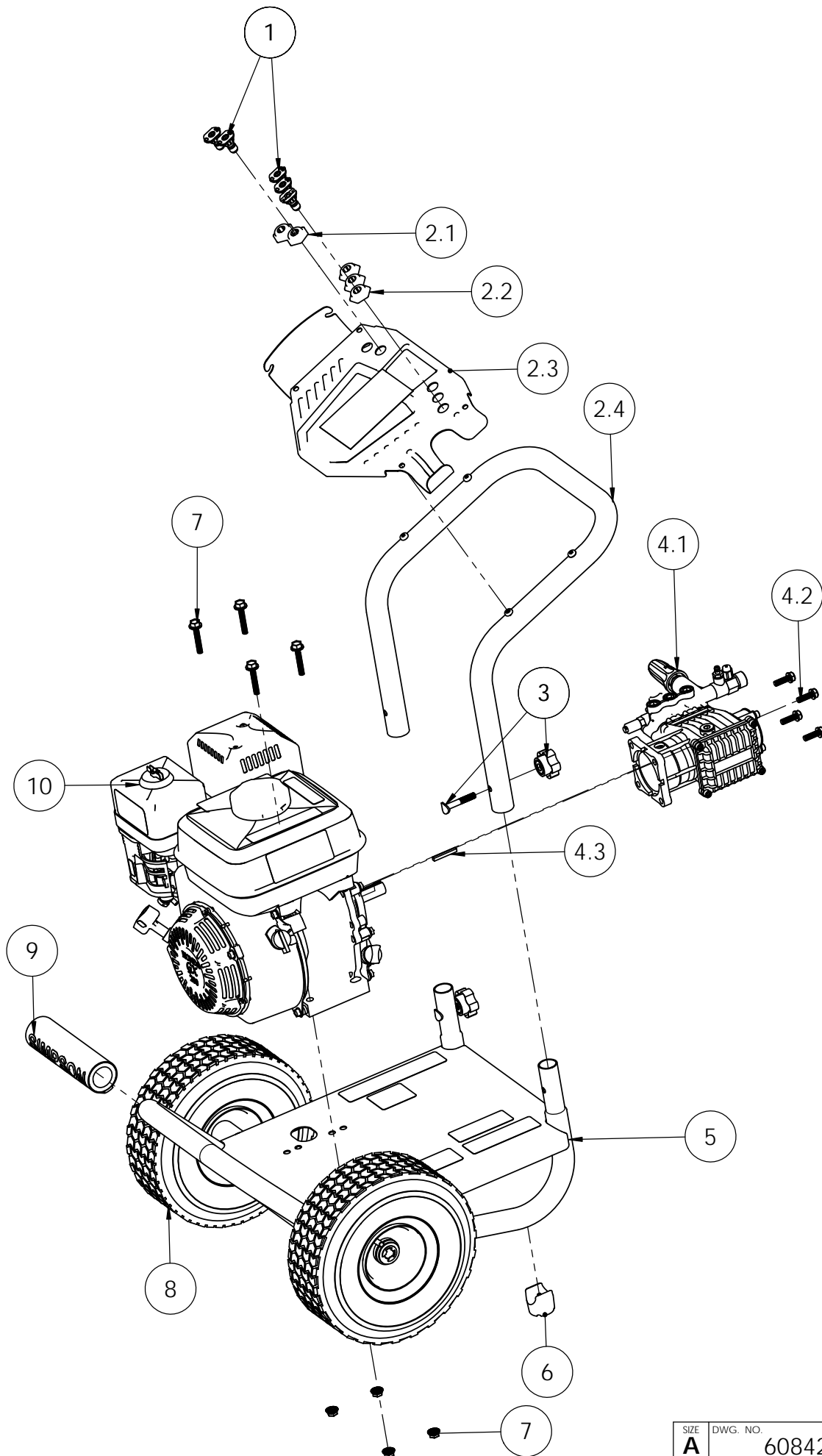


PUMP IDENTIFICATION TABLE		
MACHINE SERIAL NO.	PUMP KIT	PUMP PART NO.
1312739-PRESENT	7109853	530016

	NAME	DATE
DRAWN	HB	5/3/17
CHECKED	DH	MAY 2017
ENG APPR.	SW	May 2017
MFG APPR.	-	-
Q.A. APPR.	CG	MAY 2017
SERVICE APPR.	DH	MAY 2017

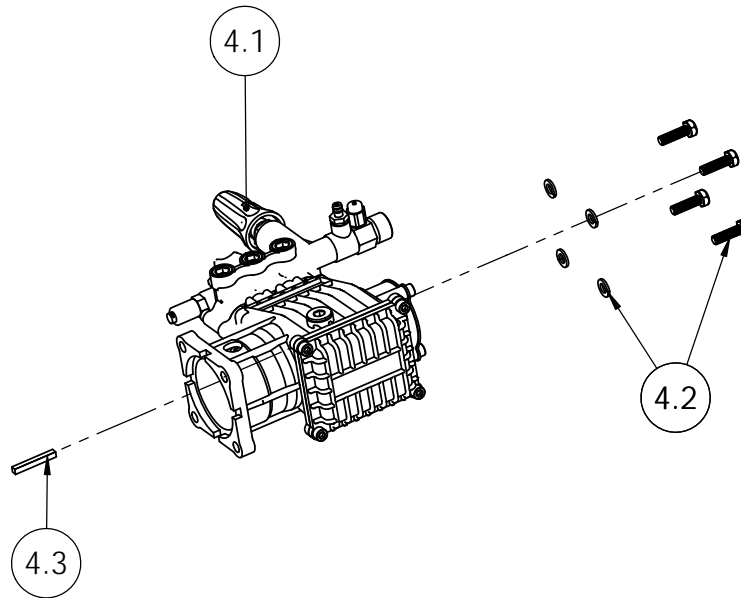
PROPRIETARY AND CONFIDENTIAL
 THE INFORMATION CONTAINED IN THIS DRAWING IS THE SOLE PROPERTY OF FNA-GROUP. ANY REPRODUCTION IN PART OR AS A WHOLE WITHOUT THE WRITTEN PERMISSION OF FNA-GROUP IS PROHIBITED.

FNA-GROUP		
1265 INDUSTRIAL STREET, DECATUR, AR 72722		
TITLE:		
PS60842 3600PSI@2.5GPM GX200		
SIZE	DWG. NO.	REV.
A	60842-S	A
SCALE: 1:8	ECN# DC17-0160	SHEET 1 OF 3

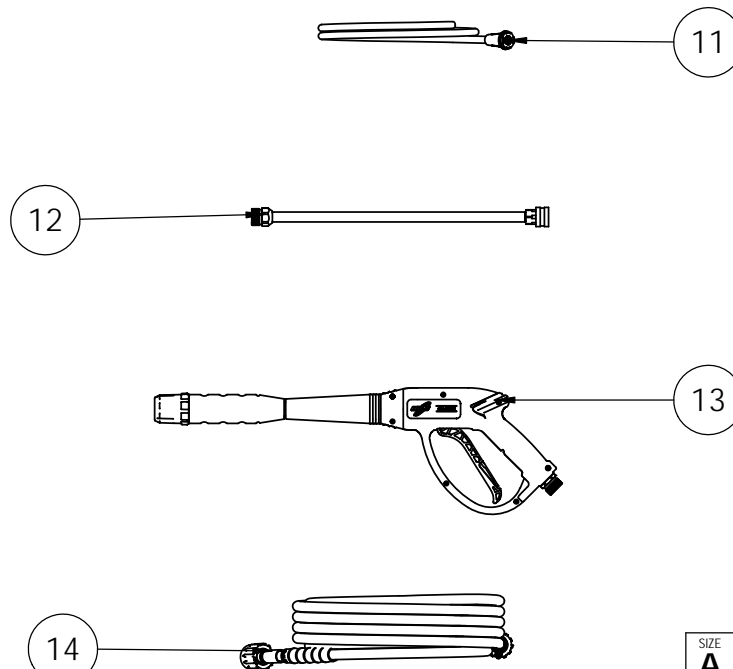


SIZE	DWG. NO.	REV.
A	60842-S	A
SCALE: 1:8	ECN# DC17-0160	SHEET 2 OF 3

ITEM	PART NO	DESCRIPTION	QTY.
4	7109853	PUMP SERVICE ASSY KIT	1
4.1	530016	PUMP, C31 SERIES, HORZ TRIPLEX, 12X8.2	1
4.2	7105474	HARDWARE KIT, PUMP MOUNTING	1
4.3	7101506	KEY, SHAFT 3/16 X 3/16 X 1-1/2	1



ITEM	PART NO	DESCRIPTION	QTY.
11	7102207	KIT, SVC ASSY SOAP HOSE W/PLASTIC FILTER	1
12	7103550	LANCE, 16" W/ 1/4 QC AND M22(M)	1
13	7108124	GUN 4500PSI, 6.6 GPM M22(M) x M22(F) OEM	1
14	7107184	HOSE, 5/16" x 35' x 3700PSI MORFLEX M22	1



SIZE A	DWG. NO. 60842-S	REV. A
ECN# DC17-0116		SHEET 3 OF 3