



Performance Under Pressure

PARTS LIST FOR
JP-2703-8MHB
JP-2703-8MRB

ENGINE OIL GRADE:	SAE10W-30
ENGINE OIL CAPACITY:	20 oz.
PUMP OIL GRADE:	Mi-T-M PUMP OIL #AW-4085-0016
PUMP OIL CAPACITY:	16 oz.
NOZZLE SIZE:	3.0

This Parts Listing has been compiled for your benefit. You can be assured your Mi-T-M Cold Water Pressure Washer was constructed and designed with quality and performance in mind using over 25 years experience in the pressure washer business. Each component has been rigorously tested to insure the highest level of acceptance.

The contents of this Parts Listing are based on the latest product information available at the time of publication. Mi-T-M reserves the right to make changes in price, color, materials, equipment, specifications or models at any time without notice.

WARNING

THIS IS A PROFESSIONAL HIGH PRESSURE, COLD WATER PRESSURE WASHER. CAUTION SHOULD BE OBSERVED WHEN USING OR REPAIRING THIS UNIT! READ AND FOLLOW THE SAFETY WARNINGS LISTED BELOW BEFORE ATTEMPTING ANY REPAIRS ON THIS PRESSURE WASHER!

SAFETY WARNINGS

1. NEVER alter or modify the equipment. Be sure any accessory items and system components being used will withstand the pressure developed. Use only genuine Mi-T-M parts for repair of your pressure washer. Failure to do so can cause hazardous operating conditions and will VOID warranty.
2. NEVER make adjustments on machinery while the unit is connected to the engine without first removing the ignition cable from the spark plug. Turning over the machinery by hand during adjustment or cleaning might start the engine and machinery with it, causing serious injury to the operator.
3. Know how to stop and bleed pressures quickly. Be thoroughly familiar with controls.
4. Before servicing the unit, turn unit off, relieve the water pressure and allow the unit to cool down. Do not make repairs while the unit is running. Service in a clean, dry, flat area. Block the wheels to prevent the unit from moving. Be especially careful to properly dispose of any flammable materials.
5. After testing the machine, DO NOT leave the pressurized unit unattended. Shut off the unit and release trapped pressure before leaving.

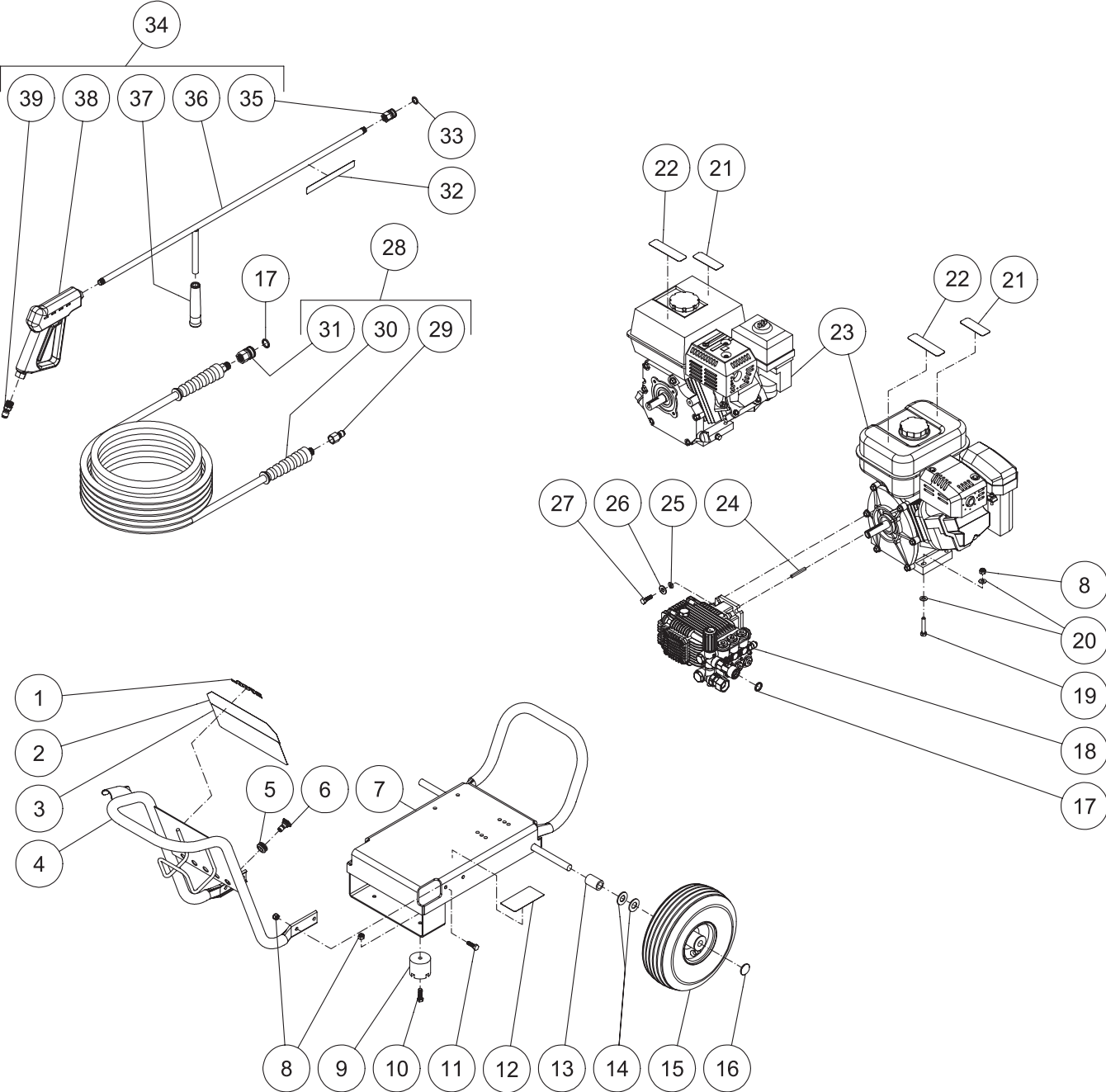
Table of Contents

SPECIFICATIONS.....	3
FRAME ASSEMBLY FOR JP-2703-8MHB/RB	4
PUMP ASSEMBLY (3-0297)	6
UNLOADER (8-0593).....	8
CHEMICAL INJECTOR (70-0499).....	10

SPECIFICATIONS

MODEL NUMBER	JP-2703-8MHB	JP-2703-8MRB
Operating Pressure (PSI/Bar):	2700/186	
High Pressure Nozzle:	3.0	
Water Volume (GPM/lpm):	2.4/9	
Engine:	Honda	Subaru
Horsepower	6.5	7.0
Engine Type	4 Stroke, Overhead Valve, Single Cylinder	
Oil Type	SAE10W-30	
Oil Capacity (oz./liters)	20/6	
Low Oil Protection	Oil Alert™	Low Oil Shutdown
Fuel Type	Unleaded Gasoline 86 Octane Minimum	
Fuel Capacity (gallon/ liters)	.95/3.6	
Starting	Recoil	
Maximum No Load RPM	3600 (+/- 100) RPM	
Pump:	Direct Driven, Oil Bath, Triplex Piston	
Oil Type	Mi-T-M Pump Oil #AW-4085-0016	
Oil Capacity (oz./liters)	16/47	
Plungers	Ceramic	
Manifold	Forged Brass	
Valves	Stainless Steel	
Unloader	Adjustable	
Thermal Relief Valve	Relieves heated water during unloader bypass stage	
Unit Net Weight (lbs/Kg)	88/39.9	
Unit Shipping Weight (lbs/Kg)	100/45.4	
Unit Net Dimension (in/cm)	30Lx21Wx26H/76.5Lx53.5Wx66.1H	
Unit Shipping Dimension (in/cm)	30.5Lx21.5Wx26.5H/77.5Lx55Wx67.5H	

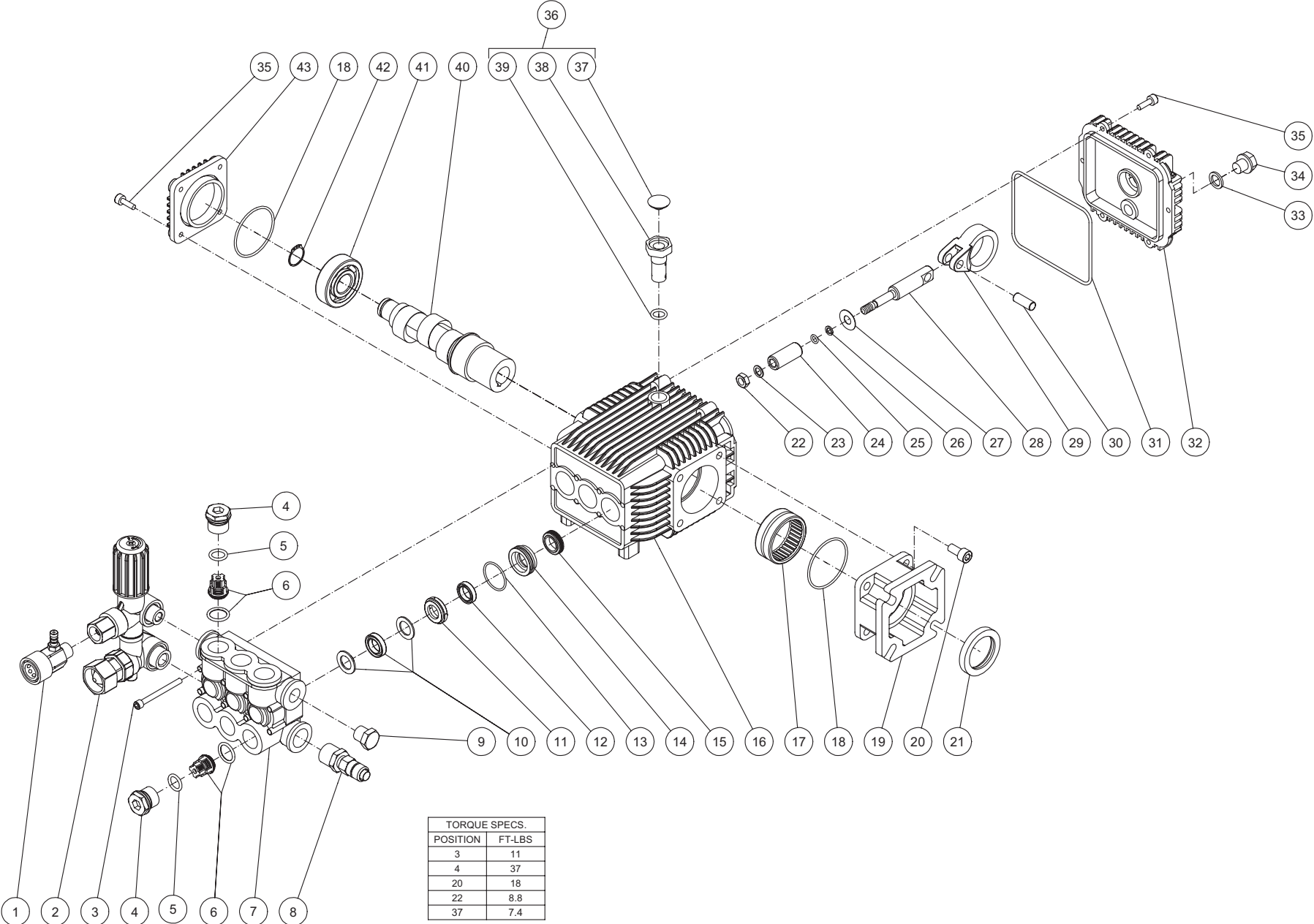
FRAME ASSEMBLY FOR JP-2703-8MHB/RB



JP-2703-8MHB/RB-032307-JJT

FRAME ASSEMBLY FOR JP-2703-8MHB/RB							
REF. #	DESCRIPTION	PART #	QTY.	REF. #	DESCRIPTION	PART #	QTY.
1	Decal- 2700 Die Cut	34-0774	1	21	Decal- Caution: Risk of Fire (See 34-9014)	N/A Sep.	1
2	Decal-Job Pro Placard	34-0778	1	22	Decal- Warning: Risk of Burns (See 34-9014)	N/A Sep.	1
3	Decal- Warning/Caution/Operation (See 34-9014)	N/A Sep.	1	23	Engine- 6.5 HP Honda (JP-2703-8MHB)	1-0088	1
4	Front Handle Assembly	7-0194A01	1	-	Engine- 7.0 HP Subaru (JP-2703-8MRB)	1-0133	1
5	Grommet	33-0001	5	24	Key	43-0073	1
6	Nozzle- 0003	18-0302	1	25	Lockwasher	29-0007	4
-	Nozzle- 1503	18-0150	1	26	Washer	28-0022	4
-	Nozzle- 2503	18-0303	1	27	Bolt	27-0092	4
7	Frame Small	5-0253A01	1	28	Pressure Hose Assembly (Inc. 29-31)	851-0007	1
8	Locknut	30-0157	10	29	Quick Connect Socket	17-0006	1
9	Isolator	14-0008	2	30	Hose	15-0003	1
10	Bolt	27-0068	2	31	Quick Connect Plug	17-0004	1
11	Bolt	27-0067	4	32	Decal- Warning: Risk of Injection (See 34-9014)	N/A Sep.	1
12	Decal- Data Plate	N/A	1	33	O-ring	25-0122	1
13	Axle Spacer	62-0176	2	34	Gun/Wand Assembly (Inc. 35-39)	851-0095	1
14	Washer	28-0008	4	35	Quick Connect Socket	17-0001	1
15	Wheel	14-0017	2	36	Wand w/Handle	16-0418	1
16	Hub Cap	33-0018	2	37	Wand Grip	7-0002	1
17	O-ring (Replacement)	25-0123	-	38	Trigger Gun	16-0001	1
18	Pump	3-0297	1	39	Quick Connect Plug	17-0005	1
19	Bolt	27-0070	4		Decal Kit (Inc. 3, 21-22, 32)	34-9014	
20	Flatwasher	28-0003	8	*Must Order in One Foot Lengths			

PUMP ASSEMBLY (3-0297)



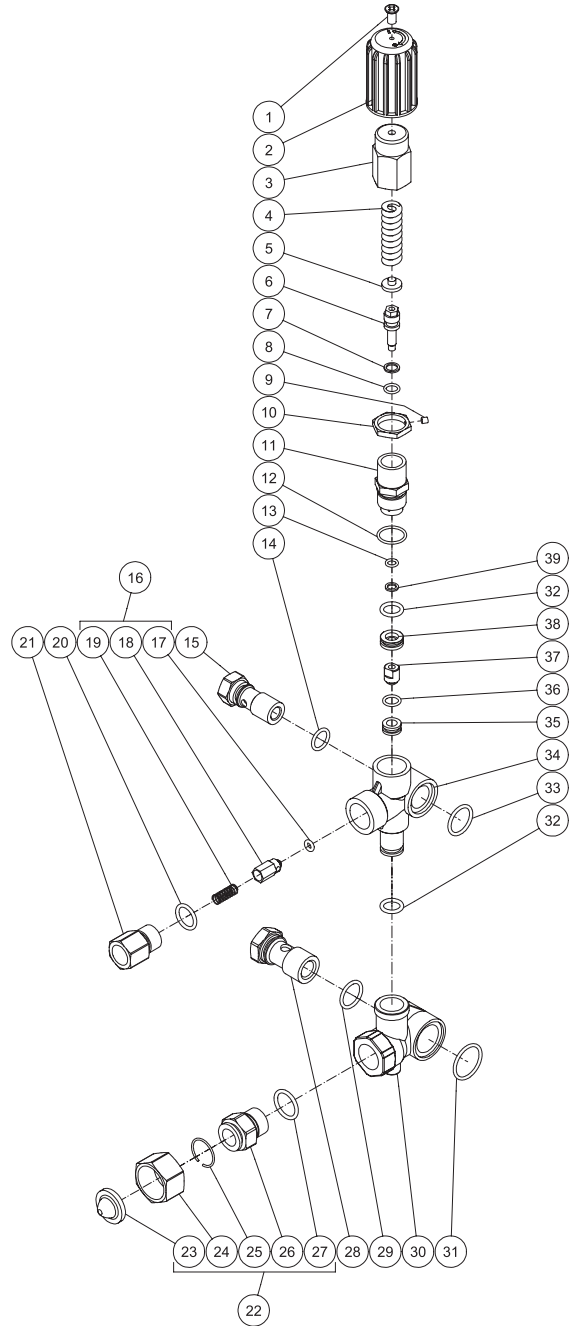
TORQUE SPECS.	
POSITION	FT-LBS
3	11
4	37
20	18
22	8.8
37	7.4

3-0297-072209-CH

PUMP 3-0297

ITEM	DESCRIPTION	PART #	QTY	ITEM	DESCRIPTION	PART #	QTY
1	OUTLET CONNECTOR	70-0499	1	24	PLUNGER CERAMIC	46-1315	3
2	UNLOADER ASSEMBLY	8-0593	1	25	O-RING	25-0163	3
3	BOLT	27-9598	8	26	BACKUP RING	26-0321	3
4	VALVE PLUG	39-0231	6	27	SLINGER WASHER	46-1316	3
5	O-RING	25-0622	6	28	PLUNGER GUIDE	N/A	3
6	VALVE ASSEMBLY *(SEE 70-0502)	N/A	6	29	CONNECTING ROD	N/A	3
7	MANIFOLD HEAD	N/A	1	30	PISTON	N/A	3
8	THERMAL RELIEF VALVE	22-0005	1	31	O-RING	25-0604	1
9	OUTLET PLUG	39-0203	1	32	CRANKCASE COVER	46-1317	1
10	HIGH PRESSURE PACKING	N/A	3	33	GASKET	26-0322	1
11	SEAL COMPACTION RING	46-1311	3	34	DRAIN PLUG	39-0232	1
12	LOW PRESSURE SEAL	N/A	3	35	BOLT	27-8401	10
13	O-RING	N/A	3	36	DIPSTICK	70-0503	1
14	RETAINER RING	46-1312	3	37	OIL PLUG COVER	N/A	1
15	OIL SEAL	46-1313	3	38	OIL PLUG	N/A	1
16	CRANKCASE	N/A	1	39	O-RING	N/A	1
17	NEEDLE BEARING	N/A	1	40	CRANKSHAFT	N/A	1
18	O-RING	25-0603	2	41	BALL BEARING	48-0063	1
19	FLANGE	46-1314	1	42	SNAP RING	N/A	1
20	BOLT	27-8431	4	43	CRANKSHAFT COVER	N/A	1
21	OIL SEAL	26-0320	1		VALVES KIT (INC. 6 OF 6)	70-0502	1
22	NUT	30-6016	3		"PACKING KIT (INC. 3 OF 10, 12, 13)"	70-0501	1
23	PLAIN WASHER	28-0065	3				

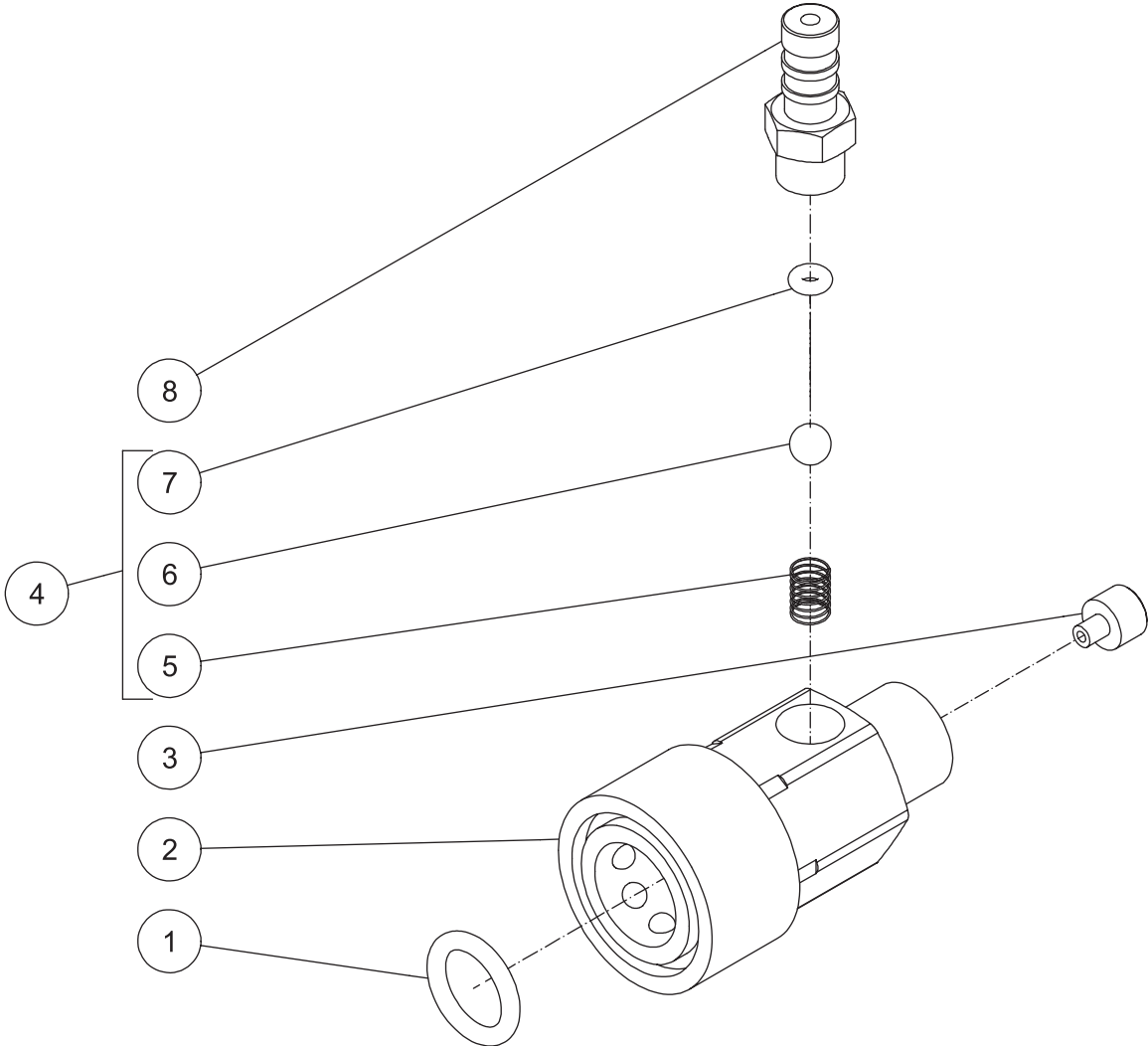
UNLOADER (8-0593)



UNLOADER (8-0593)

ITEM	DESCRIPTION	PART #	QTY	ITEM	DESCRIPTION	PART #	QTY
1	SCREW	N/A	1	21	OUTLET CONNECTOR	46-1389	1
2	PLASTIC KNOB	N/A	1	22	GARDEN HOSE INLET ASSY (INC. 23-27)	23-0095	1
3	KNOB	N/A	1	23	FILTER	N/A	1
4	SPRING	N/A	1	24	SWIVEL NUT	N/A	1
5	SPRING SEAT	N/A	1	25	RETAINING RING	N/A	1
6	VALVE ROD	N/A	1	26	INLET CONNECTOR	N/A	1
7	SUPPORT RING	N/A	1	27	O-RING	N/A	1
8	O-RING	N/A	1	28	INLET BANJO BOLT	8-0595	1
9	SET SCREW	N/A	1	29	O-RING	25-0602	1
10	JAM NUT	N/A	1	30	BY PASS HOUSING	N/A	1
11	UNLOADER VALVE BODY	N/A	1	31	O-RING	N/A	1
12	O-RING	N/A	1	32	O-RING	N/A	2
13	O-RING	25-0163	1	33	O-RING	N/A	1
14	O-RING	25-0169	1	34	VALVE HOUSING	N/A	1
15	OUTLET BANJO BOLT	8-0594	1	35	VALVE SEAT	N/A	1
16	KIT - NON-RETURN VALVE (INC. 17-19)	70-0500	1	36	O-RING	N/A	1
17	O-RING	N/A	1	37	BULLET	N/A	1
18	CHECKING VALVE	N/A	1	38	BY PASS JET UNLOADER	N/A	1
19	SPRING	N/A	1	39	SUPPORT RING	N/A	1
20	O-RING	25-0386	1				

CHEMICAL INJECTOR (70-0499)



70-0499 120607-JJT

DETERGENT INJECTOR (70-0499)			
REF. #	DESCRIPTION	PART #	QTY.
1	O-Ring	25-0123	1
2	Quick Connect	N/A	1
3	Water Injection Tube	N/A	1
4	Injector Repair Kit	70-0293	1
5	Spring	N/A	1
6	Ball	N/A	1
7	O-Ring	N/A	1
8	Soap Suction Nozzle	46-0869	1

Manufactured by Mi-T-M
8650 Enterprise Drive, Peosta IA 52068
563-556-7484/ Fax 563-556-1235