



Performance Under Pressure

THE JOB PRO®

**PARTS LIST FOR
*JP-1002/1502-2ME1***

MOTOR HORSEPOWER:

JP-1002-2ME1: 1.5 HP

JP-1502-2ME1: 2.0 HP

PUMP OIL GRADE: Mi-T-M PUMP OIL #AW-4085-0016

PUMP OIL CAPACITY: 11.8 oz.

NOZZLE SIZE:

JP-1002-2ME1: 4.0

JP-1502-2ME1: 3.0

This Parts Listing has been compiled for your benefit. You can be assured your Mi-T-M Cold Water Pressure Washer was constructed and designed with quality and performance in mind using over 25 years experience in the pressure washer business. Each component has been rigorously tested to insure the highest level of acceptance.

The contents of this Parts Listing are based on the latest product information available at the time of publication. Mi-T-M reserves the right to make changes in price, color, materials, equipment, specifications or models at any time without notice.

WARNING

THIS IS A PROFESSIONAL HIGH PRESSURE, COLD WATER PRESSURE WASHER. CAUTION SHOULD BE OBSERVED WHEN USING OR REPAIRING THIS UNIT! READ AND FOLLOW THE SAFETY WARNINGS LISTED BELOW BEFORE ATTEMPTING ANY REPAIRS ON THIS PRESSURE WASHER!

SAFETY WARNINGS

1. NEVER alter or modify the equipment. Be sure any accessory items and system components being used will withstand the pressure developed. Use only genuine Mi-T-M parts for repair of your pressure washer. Failure to do so can cause hazardous operating conditions and will VOID warranty.
2. NEVER make adjustments on machinery while the unit is connected to the power source. Turning over the machinery by hand during adjustment or cleaning might start the machinery, causing serious injury to the operator.
3. Know how to stop and bleed pressures quickly. Be thoroughly familiar with controls.
4. Before servicing the unit, turn unit off, relieve the water pressure and allow the unit to cool down. Do not make repairs while the unit is running. Service in a clean, dry, flat area.
5. After testing the machine, DO NOT leave the pressurized unit unattended. Shut off the unit and release trapped pressure before leaving.

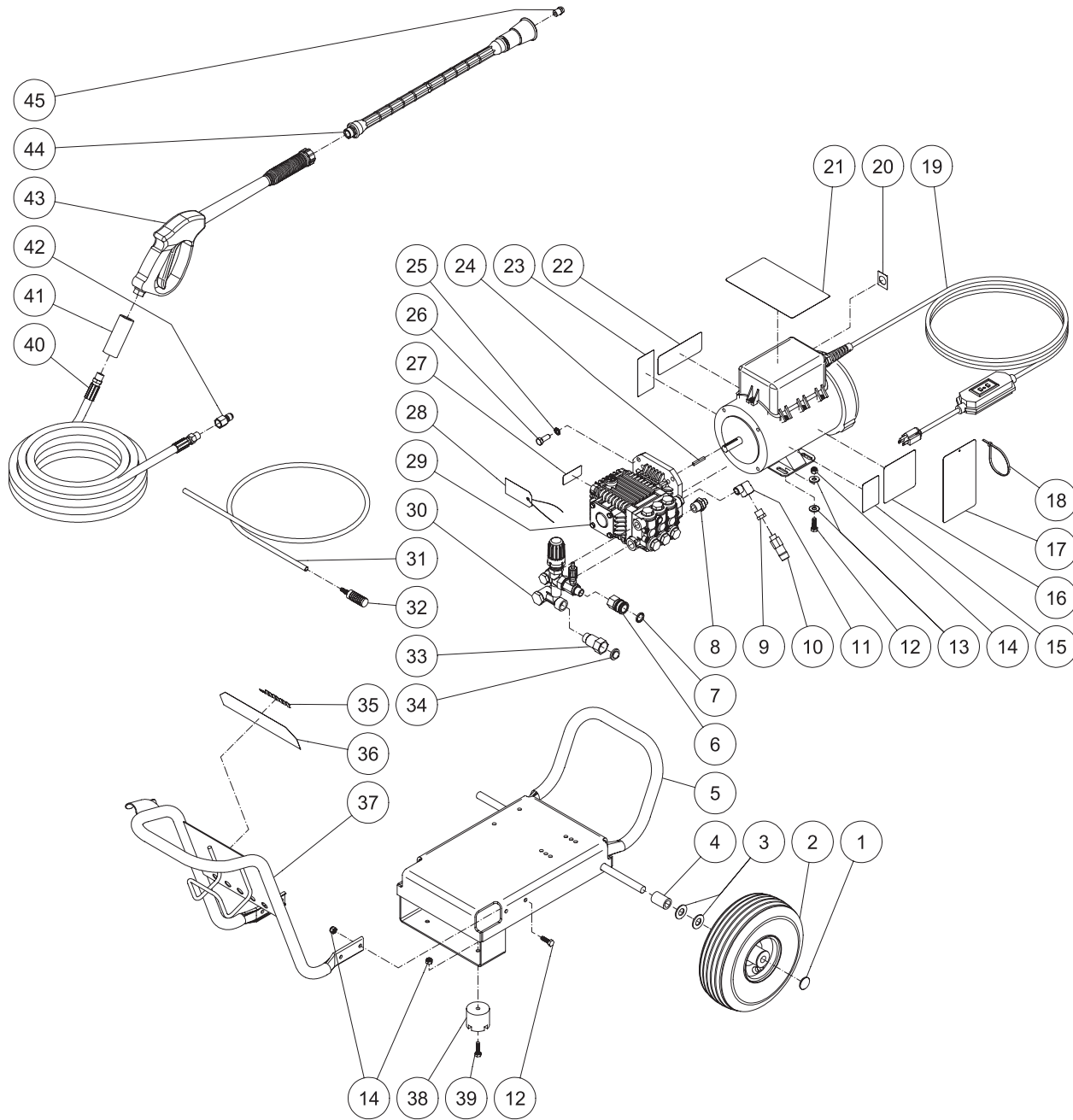
Table of Contents

SPECIFICATIONS	3
FRAME ASSEMBLY FORJP-1002/1502-2ME1	4
MOTOR ASSEMBLY (851-0247 & 851-0248)	6
PUMP ASSEMBLY (3-0278)	8
UNLOADER ASSEMBLY (8-0572)	10
LANCE ASSEMBLY (16-0415)	12
WIRING SCHEMATIC	14
WIRING DIAGRAM	15

SPECIFICATIONS

MODEL NUMBER	JP-1002-2ME1	JP-1502-2ME1
Operating Pressure (PSI/Bar):	1000/68.9	1500/103.4
High Pressure Nozzle:	4.0	3.0
Water Volume (GPM/lpm):	2.0/7.6	
Motor:	Totally enclosed fan cooled, circuit breaker thermal overload protection, 35ft. power supply cord with Ground Fault Circuit Interrupter (GFCI)	
Horsepower	1.5	2.0
Voltage	120	
Phase	Single	
Amps	12.5	17.0
Pump:	Direct Driven, Oil Bath, Triplex Piston	
Oil Type	Mi-T-M Pump Oil #AW-4085-0016	
Oil Capacity (oz./liters)	11.8/35	
Plungers	Ceramic	
Manifold	Forged Brass	
Valves	Stainless Steel	
Unloader	Adjustable	
Thermal Relief Valve	Relieves heated water during unloader bypass stage	
Detergent Injector	Adjustable low pressure down stream from pump	
Unit Net Weight (lbs/Kg)	95/43	102/46
Unit Shipping Weight (lbs/Kg)	122/55	129/58.5
Unit Net Dimension (in/cm)	30Lx21Wx26H/76Lx53Wx66H	
Unit Shipping Dimension (in/cm)	30.5Lx21.5Wx26.5H/77.5Lx54.5Wx67.5H	

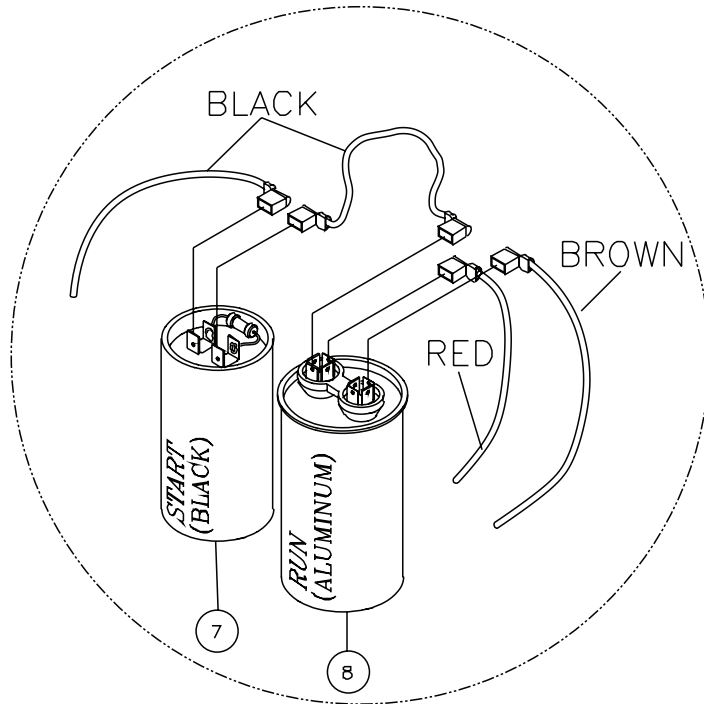
FRAME ASSEMBLY FOR JP-1002/1502-2ME1



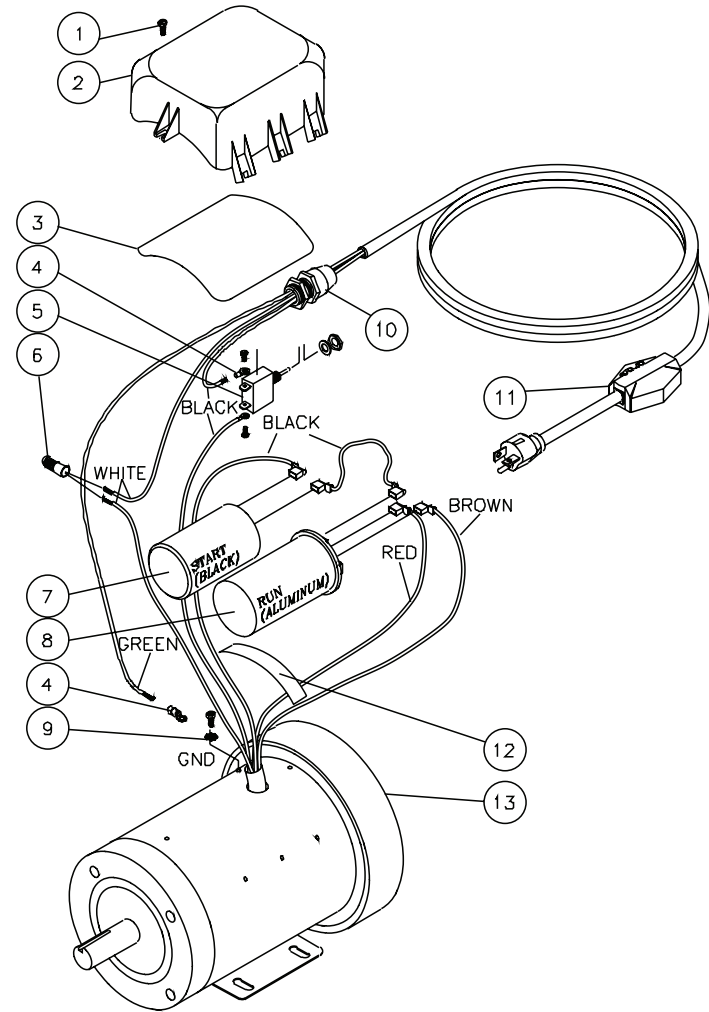
JP-1002/1502-2ME1-033108-JJT

FRAME ASSEMBLY FOR JP-1002/1502-2ME1							
REF. #	DESCRIPTION	PART #	QTY.	REF. #	DESCRIPTION	PART #	QTY.
1	Hubcap	33-0018	2	25	Washer	29-0155	4
2	Wheel	14-0017	2	26	Bolt	27-0117	4
3	Washer	28-0008	4	27	Decal- Important Pump Instructions (See 34-9015)	N/A Sep.	1
4	Axle Spacer	620176	2	28	Tag- Remove Red Plug	34-1067	1
5	Frame	5-0253	1	29	Pump	3-0278	1
6	Quick Connect Socket	17-0004	1	30	Unloader	8-0572	1
7	O-ring (Replacement Only)	25-0123	-	31	Detergent Hose *(Four Feet Required)	15-0021	1
8	Thermal Relief Valve	22-0371	1	32	Detergent Strainer	19-0050	1
9	Bushing	23-0017	1	33	Garden Hose Swivel	23-0445	1
10	Pop-Off Valve	22-0046	1	34	Inlet Filter	19-0001	1
11	Elbow	23-0034	1	35	Decal- Die Cut 1000PSI (JP-1002-2ME1)	34-1459	1
12	Bolt	27-0067	4	-	Decal- Die Cut 1500PSI (JP-1502-2ME1)	34-0869	1
13	Washer	28-0022	4	36	Decal- Job Pro Placard	34-0778	1
14	Locknut	30-0157	10	37	Front Handle Assy	7-0194	1
15	Decal- Caution: Hot Water (See 34-9015)	N/A Sep.	1	38	Isolator	14-0008	2
16	Decal- Caution/Important (See 34-9015)	N/A Sep.	1	39	Bolt	27-0068	2
17	Hang Tag- Warning: Risk of Electrocution	34-1035	1	40	High Pressure Hose	15-0138	1
18	Cable Tie	33-0022	1	41	Foam Covering *(One Foot Required)	7-0046	1
19	Motor Assembly 1.5HP (JP-1002-2ME1)	851-0247	1	42	Quick Connect Plug	17-0006	1
-	Motor Assembly 2.0HP (JP-1502-2ME1)	851-0248	1	43	Gun w/ Lance	16-0445	1
20	Decal- On/Off (See 34-9015)	N/A Sep.	1	44	Lance Assembly	16-0415	1
21	Decal- Warning: Risk of Electrocution (See 34-9015)	N/A Sep.	1	45	Nozzle- 1504 (JP-1002-2ME1)	18-0054	1
22	Decal- Warning: Risk of Injection/Explosion (See 34-9015)	N/A Sep.	1	-	Nozzle- 1503 (JP-1502-2ME1)	18-0053	1
23	Decal- Data Plate	N/A	1	46	Decal Kit (Inc. 15-16, 20-22, 27)	34-9015	
24	Key	43-0072	1				
*Must Order in One Foot Lengths							

MOTOR ASSEMBLY (851-0247 & 851-0248)



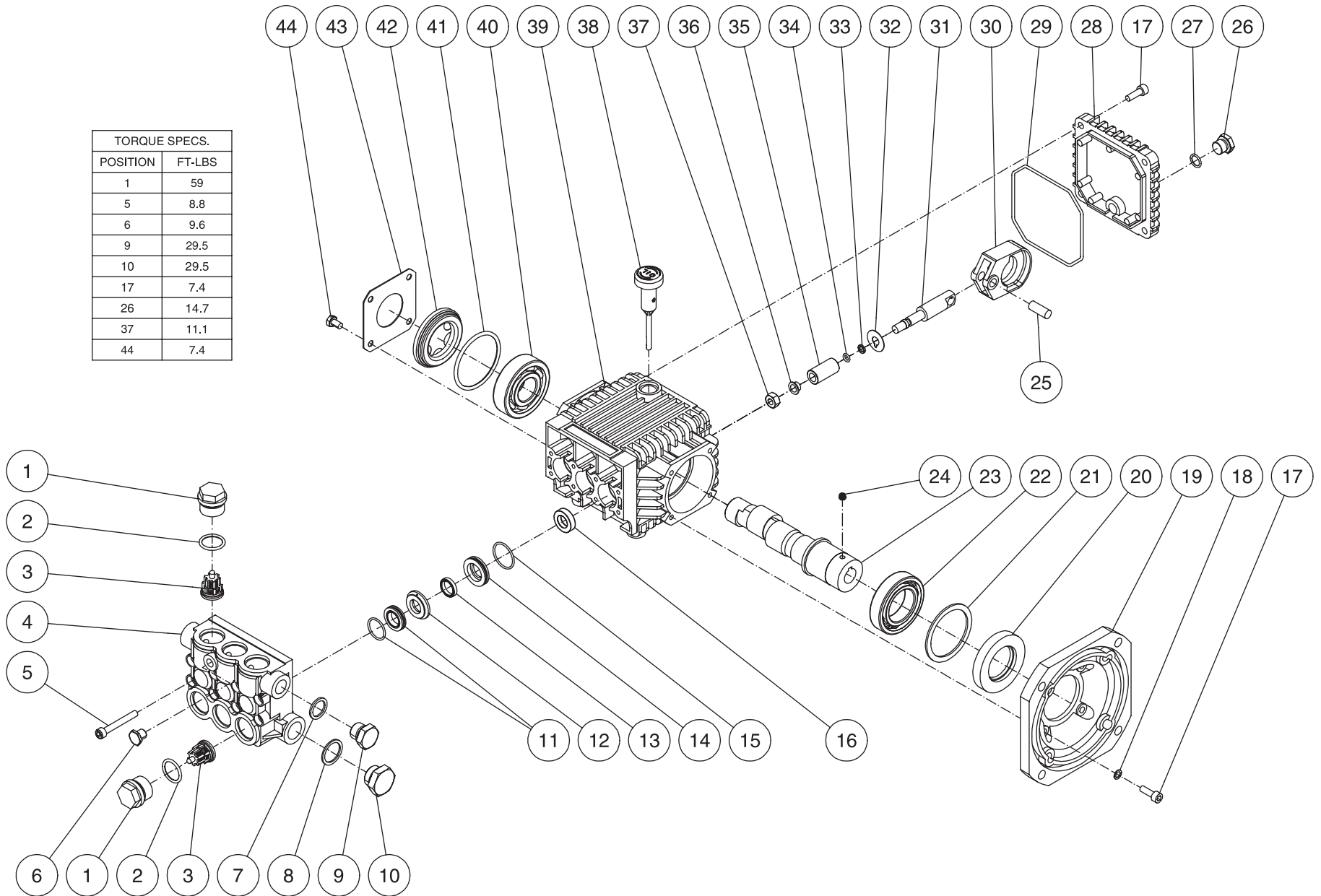
CAPACITOR TERMINAL ASSEMBLY



MOTOR ASSEMBLY (851-0247 & 851-0248)			
REF. #	DESCRIPTION	PART #	QTY.
1	Hex Screw	27-8389	8
2	Motor Box	52-0041	1
3	O-ring	25-0338	1
4	Terminal	32-0099	2
5	Switch for 851-0247 (15 Amp)	32-0408	1
-	Switch for 851-0248 (20 Amp)	32-0348	1
6	Crimp Splice	32-0359	1
7	Starting Capacitor for 851-0247	32-0411	1
-	Starting Capacitor for 851-0248	32-0412	1
8	Running Capacitor	32-0413	1
9	Lockwasher	28-1009	1
10	Strain Relief	32-0407	1
11	GFCI Cord for 851-0247 (15 Amp)	32-0268	1
-	GFCI Cord for 851-0248 (20 Amp)	32-0215	1
12	Motor Box Strap	52-0042	1
13	Motor- 1.5 H.P. (See 851-0247)	N/A Sep.	1
-	Motor- 2.0 H.P. (See 851-0248)	N/A Sep.	1
	Complete Motor Assembly (Inc. 1-13)	851-0247	
	Complete Motor Assembly (Inc. 1-13)	851-0248	

PUMP ASSEMBLY (3-0278)

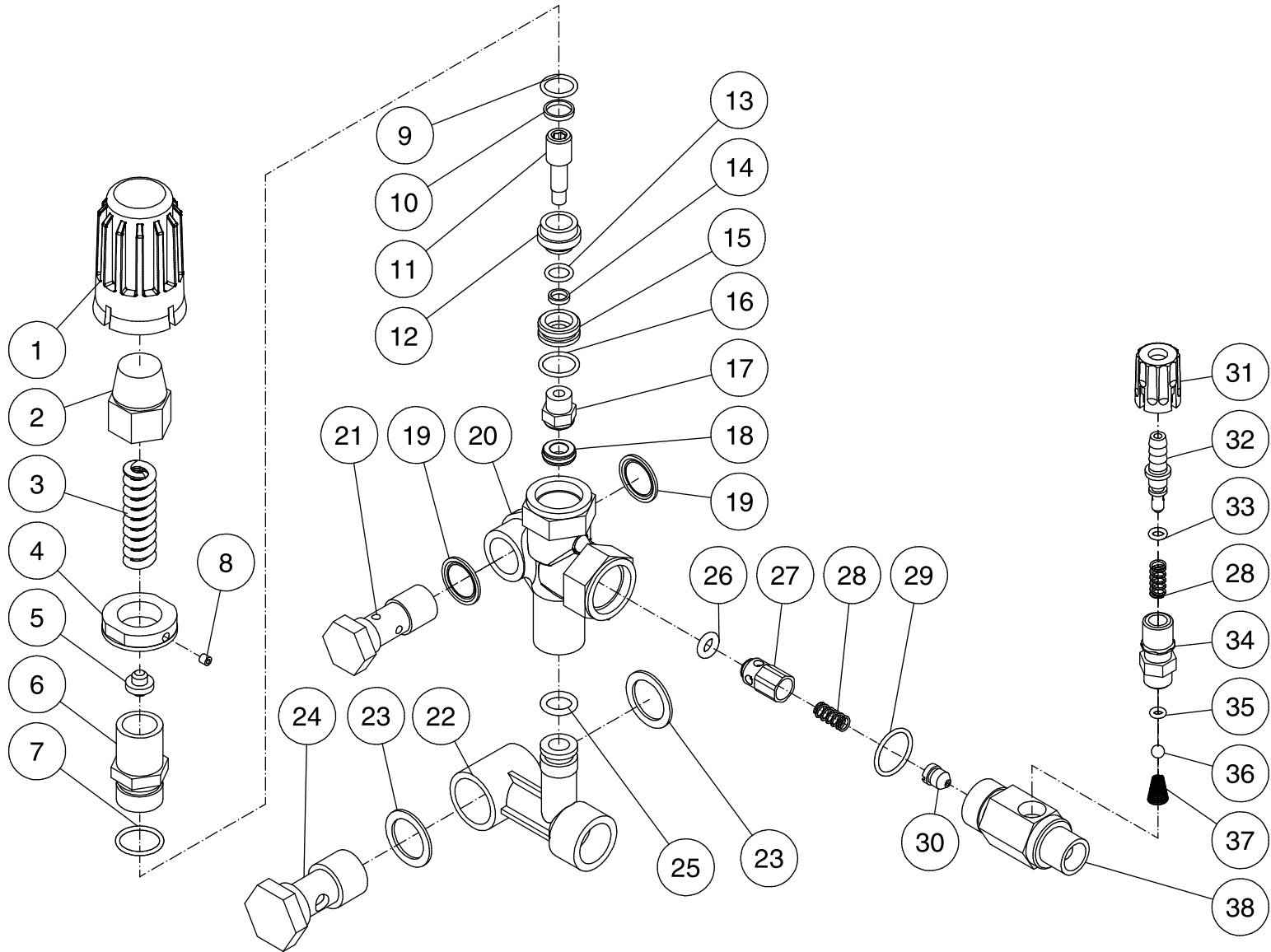
TORQUE SPECS.	
POSITION	FT-LBS
1	59
5	8.8
6	9.6
9	29.5
10	29.5
17	7.4
26	14.7
37	11.1
44	7.4



3-0278-012706-JJT

PUMP ASSEMBLY (3-0278)							
REF. #	DESCRIPTION	PART #	QTY.	REF. #	DESCRIPTION	PART #	QTY.
1	Valve Cap	39-0223	6	25	Wrist Pin	46-1226	3
2	O-ring	25-0012	6	26	Plug	39-0017	1
3	Valve Assembly (See 70-0028)	N/A Sep.	6	27	O-ring	25-0014	1
4	Manifold	46-1223	1	28	Rear Crankcase Cover	46-1227	1
5	Bolt	27-8407	8	29	O-ring	25-0593	1
6	Plug	39-0032	1	30	Connecting Rod	46-1228	3
7	Washer	28-0600	1	31	Plunger Guide	46-1229	3
8	Washer	28-1038	1	32	Washer	46-0167	3
9	Plug	39-0018	1	33	Anti-Extrusion Ring	25-0143	3
10	Plug	39-0019	1	34	O-ring	25-0337	3
11	High Pressure Seal w/ O-ring (See 70-0448)	N/A Sep.	3	35	Plunger	46-1230	3
12	High Pressure Intermediate Seal Retainer (See 70-0448)	N/A Sep.	3	36	Gasket Washer	46-1231	3
13	Low Pressure Seal (See 70-0448)	N/A Sep.	3	37	Nut	46-0168	3
14	Low Pressure Seal Retainer (See 70-0448)	N/A Sep.	3	38	Dipstick	46-0143	1
15	O-ring (See 70-0448)	N/A Sep.	3	39	Crankcase	46-1232	1
16	Oil Seal	26-0111	3	40	Ball Bearing	48-0013	1
17	Bolt	27-8409	8	41	O-ring	25-0060	1
18	Lockwasher	29-0153	4	42	Oil Level Indicator	46-0574	1
19	Pump Flange	38-0032	1	43	Oil Level Retainer	46-0084	1
20	Seal	26-0052	1	44	Bolt	27-8000	4
21	Spacer	46-1224	1		Packing Assembly (11-15)	70-0448	
22	Ball Bearing	48-0011	1		Packing Kit (Inc. 3 each 11, 13, 15)	70-0447	
23	Crankshaft	46-1225	1		Valve Kit (Inc. 6 each 3)	70-0028	
24	Bolt	27-8886	1		Oil Seals Kit (Inc. 3 each 17)	70-0015	

UNLOADER ASSEMBLY (8-0572)

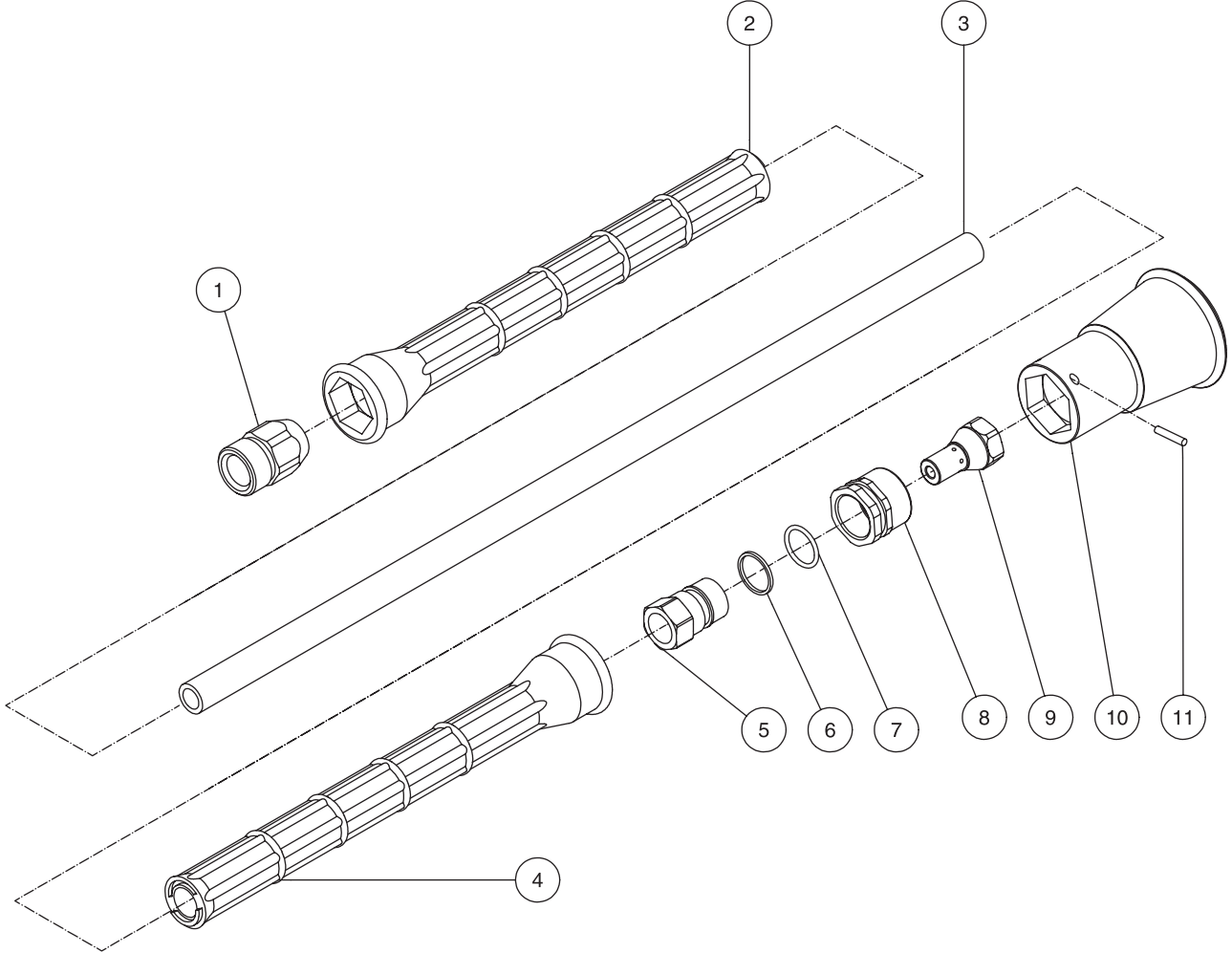


8-0572-012706-JJT

UNLOADER ASSEMBLY (8-0572)

REF. #	DESCRIPTION	PART #	QTY.	REF. #	DESCRIPTION	PART #	QTY.
1	Adjusting Knob	7-0199	1	21	Bolt	8-0582	1
2	Adjusting Cap	8-0573	1	22	Inlet Manifold	N/A Sep.	1
3	Spring	49-0163	1	23	Sealing Washer	28-1052	2
4	Ring Nut	8-0574	1	24	Bolt	8-0583	1
5	Spring Guide Pin	8-0575	1	25	O-ring (See 70-0442)	N/A Sep.	1
6	Piston Holder	8-0576	1	26	O-ring (See 70-0442)	N/A Sep.	1
7	O-ring (See 70-0442)	N/A Sep.	1	27	Shutter Pin	8-0584	1
8	Set Screw	8-0479	1	28	Spring	49-0056	2
9	O-ring (See 70-0442)	N/A Sep.	1	29	O-ring (See 70-0442)	N/A Sep.	1
10	Backup Ring (See 70-0442)	N/A Sep.	1	30	Orifice	50-0146	1
11	Piston	8-0577	1	31	Adjustment Knob	50-0158	1
12	Spacer Ring	8-0578	1	32	Adjustable Shutter	50-0157	1
13	O-ring (See 70-0442)	N/A Sep.	1	33	O-ring	25-0187	1
14	Backup Ring (See 70-0442)	N/A Sep.	1	34	Piston Retainer	50-0156	1
15	Spacer Ring	8-0579	1	35	O-ring	25-0045	1
16	O-ring (See 70-0442)	N/A Sep.	1	36	Ball (See 852-0056)	N/A Sep.	1
17	Shutter Pin	8-0580	1	37	Spring	49-0057	1
18	Seat	8-0581	1	38	Injector Body	N/A	1
19	Washer	8-0427	2		Unloader Repair Kit (Inc. 7, 9, 10, 13, 14, 16, 17, 25, 26, 29)	70-0442	
20	Unloader Body	N/A Sep.	1		Injector Repair Kit (Inc. 33, 35, 36, 37)	852-0056	

LANCE ASSEMBLY (16-0415)

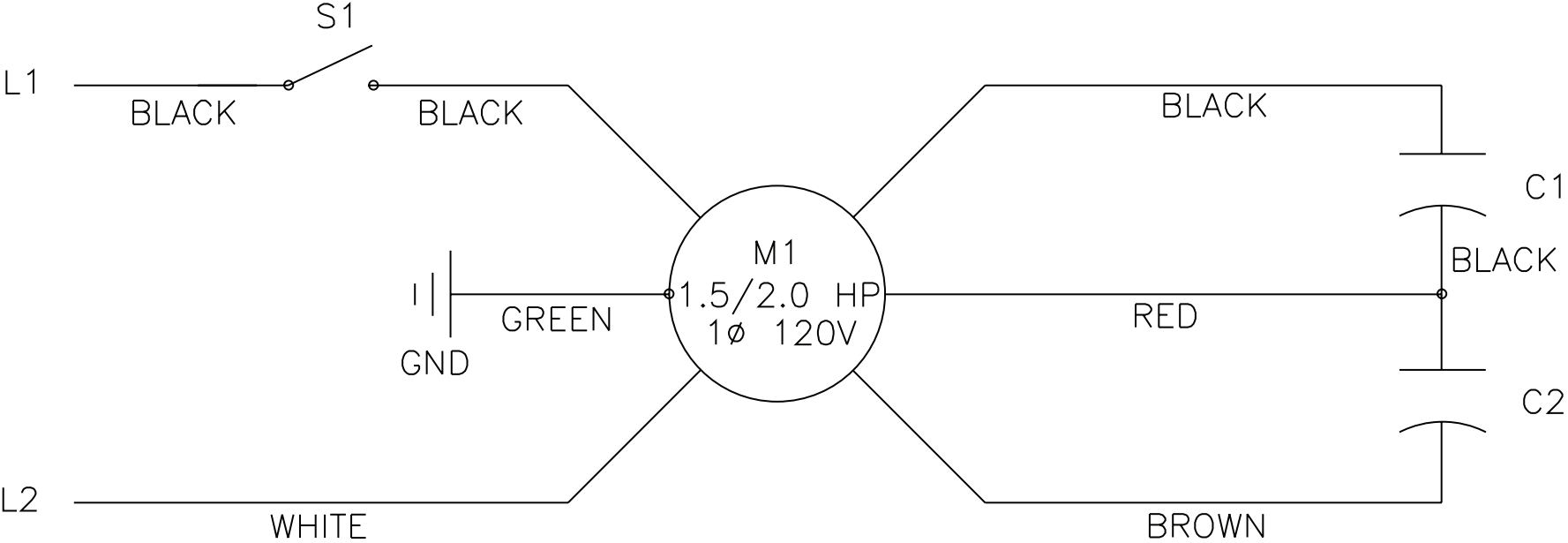


16-0415-060304-JJF

LANCE ASSEMBLY (16-0415)			
REF. #	DESCRIPTION	PART #	QTY.
1	Coupling	16-0378	1
2	Cover Protection (See 16-0415)	N/A Sep.	1
3	Pipe	16-0379	1
4	Cover Protection (See 16-0415)	N/A Sep.	1
5	Nipple (See 16-0415)	N/A Sep.	1
6	Back Ring (See 16-0415)	N/A Sep.	1
7	O-ring (See 16-0415)	N/A Sep.	1
8	Insert Ring Nut (See 16-0415)	N/A Sep.	1
9	Diffuser (See 16-0415)	N/A Sep.	1
10	Knob (See 16-0415)	N/A Sep.	1
11	Pin (See 16-0415)	N/A Sep.	1
	Complete Lance Assembly (Inc. 1-11)	16-0415	

WIRING SCHEMATIC

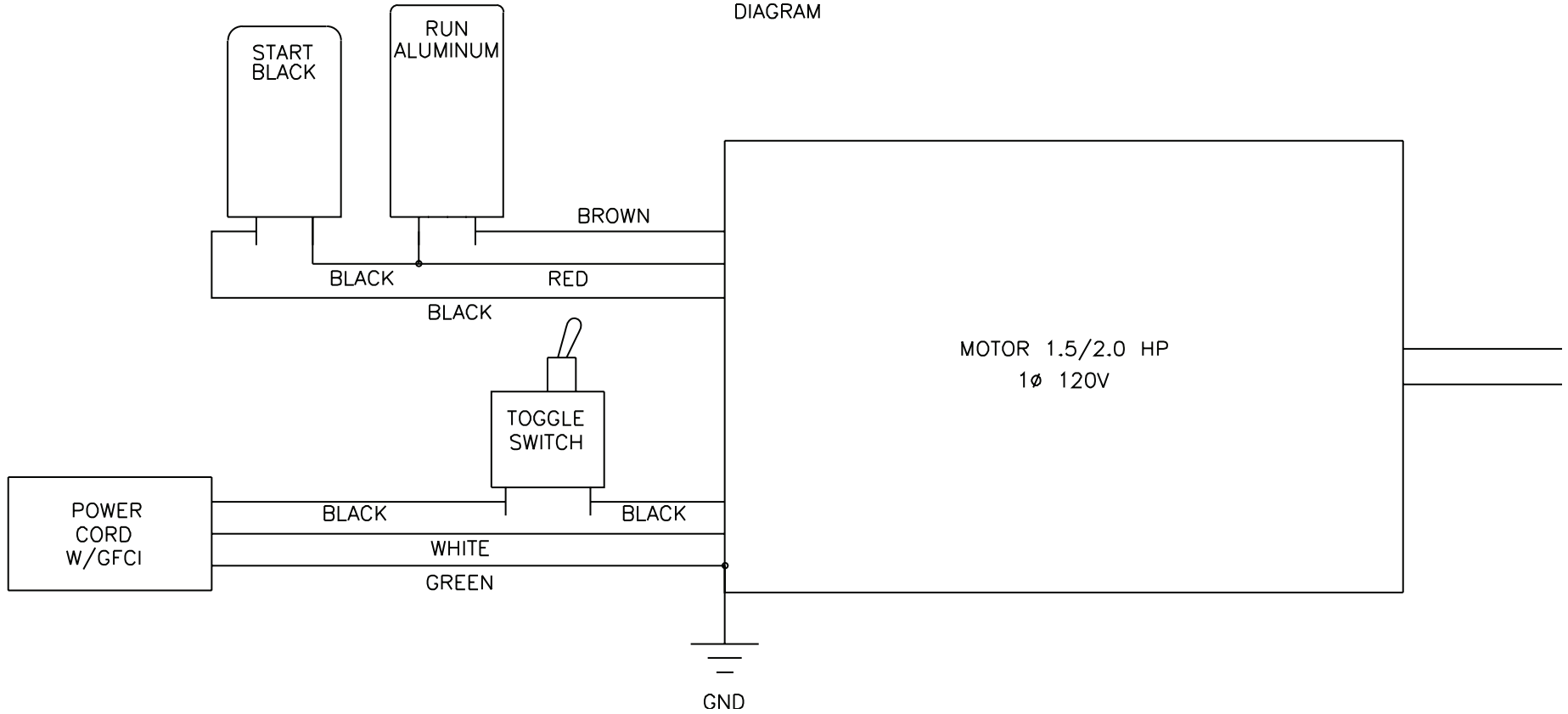
SCHEMATIC



OMCWU189S -061295-DCE

WIRING DIAGRAM

DIAGRAM



Manufactured by Mi-T-M
8650 Enterprise Drive, Peosta IA 52068
563-556-7484/ Fax 563-556-1235