



Performance Under Pressure

PARTS LIST FOR
JCW-4003-0MHB/VB
(AFTER SERIAL #10070000)

Engine Oil Grade:

Honda:

SAE 10W-30

Vanguard:

Above 40°F=SAE 30

Below 40°F=SAE10W-30

Engine Oil Capacity:

Honda:

37 oz.

Vanguard:

51 oz.

Pump Oil Grade:

Mi-T-M Pump Oil #AW-4085-0016

Pump Oil Capacity:

18.5 oz.

Nozzle Size:

3.0

This Parts Listing has been compiled for your benefit. You can be assured your Mi-T-M Cold Water Pressure Washer was constructed and designed with quality and performance in mind using over 25 years experience in the pressure washer business. Each component has been rigorously tested to insure the highest level of acceptance.

The contents of this Parts Listing are based on the latest product information available at the time of publication. Mi-T-M reserves the right to make changes in price, color, materials, equipment, specifications or models at any time without notice.

WARNING

THIS IS A PROFESSIONAL HIGH PRESSURE, COLD WATER PRESSURE WASHER. CAUTION SHOULD BE OBSERVED WHEN USING OR REPAIRING THIS UNIT! READ AND FOLLOW THE SAFETY WARNINGS LISTED BELOW BEFORE ATTEMPTING ANY REPAIRS ON THIS PRESSURE WASHER!

SAFETY WARNINGS

1. NEVER alter or modify the equipment. Be sure any accessory items and system components being used will withstand the pressure developed. Use only genuine Mi-T-M parts for repair of your pressure washer. Failure to do so can cause hazardous operating conditions and will VOID warranty.
2. NEVER make adjustments on machinery while the unit is connected to the engine without first removing the ignition cables from the spark plugs. Turning over the machinery by hand during adjustment or cleaning might start the machinery, causing serious injury to the operator.
3. Know how to stop and bleed pressures quickly. Be thoroughly familiar with controls.
4. Before servicing the unit, turn unit off, relieve the water pressure and allow the unit to cool down. Do not make repairs while the unit is running. Service in a clean, dry, flat area.
5. After testing the machine, DO NOT leave the pressurized unit unattended. Shut off the unit and release trapped pressure before leaving.

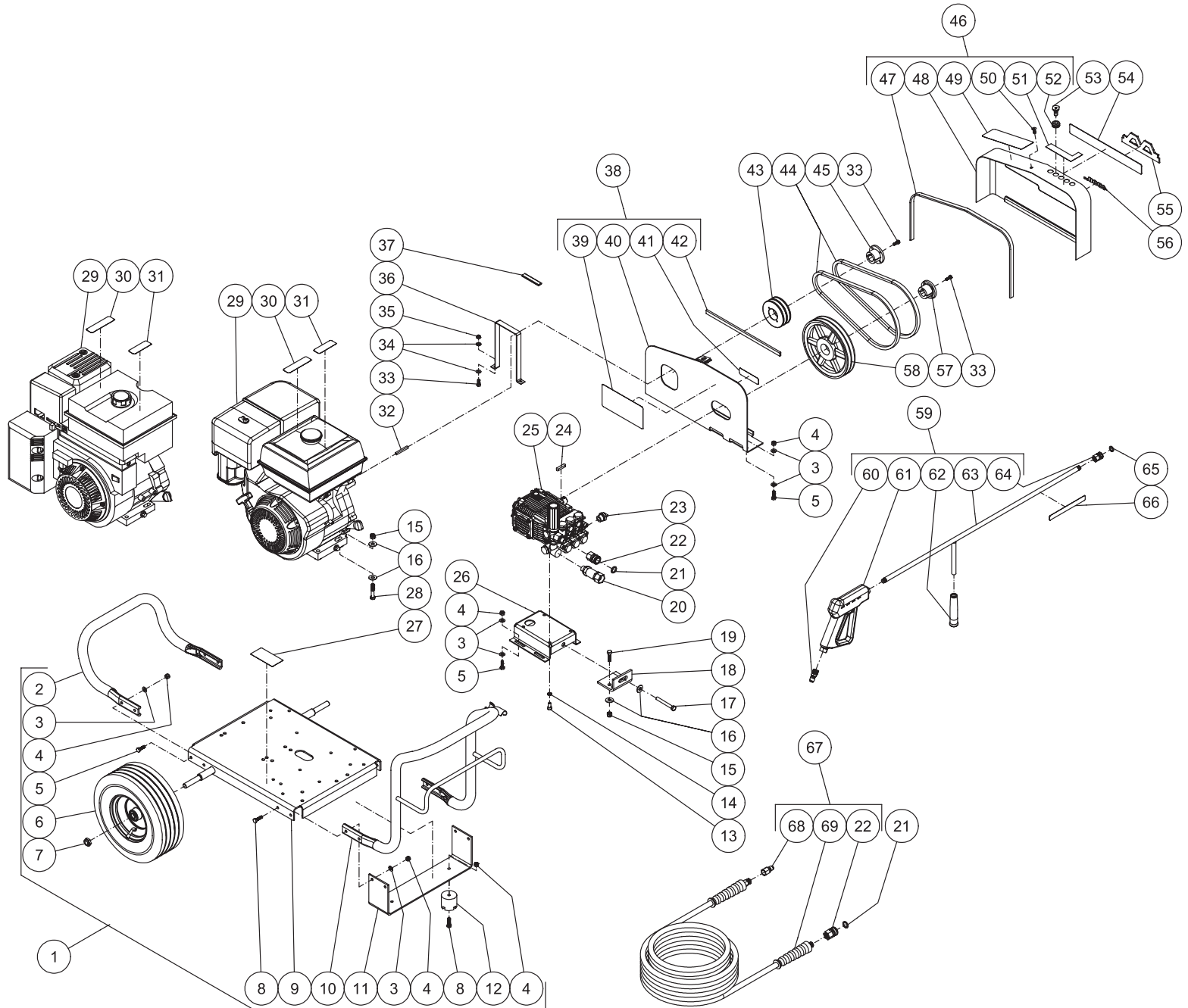
Table of Contents

SPECIFICATIONS	3
FRAME ASSEMBLY (AFTER SERIAL #10070000)	4
PUMP ASSEMBLY (3-0230)	6
UNLOADER ASSEMBLY (8-0533)	8
GUN ASSEMBLY (16-0001)	10

SPECIFICATIONS

MODEL NUMBER	JCW-4003-0MHB	JCW-4003-0MVB
Operating Pressure (PSI/Bar):	4000/275.8	
High Pressure Nozzle:	3.0	
Water Volume (GPM/lpm):	3.0/11.3	
Engine:	Honda	Vanguard
Horsepower	13.0	
Engine Type	4 Stroke, Overhead Valve, Single Cylinder	
Oil Type	SAE10W-30	Above 40°F = SAE30/Below 40°F = SAE10W-30
Oil Capacity (oz./liters)	37/1.1	51/1.5
Low Oil Protection	Oil Alert™	Oil Guard™
Fuel Type	Unleaded Gasoline 86 Octane Minimum	
Fuel Capacity (gallon/ liters)	1.7/6.5	2.0/7.9
Starting	Recoil	
Maximum No Load RPM	3600	
Pump:	Belt Driven, Oil Bath, Triplex Piston	
Oil Type	Mi-T-M Pump Oil #AW-4085-0016	
Oil Capacity (oz./liters)	18.5/55	
Plungers	Ceramic	
Manifold	Forged Brass	
Valves	Stainless Steel	
Unloader	Preset	
Thermal Relief Valve	Relieves heated water during unloader bypass stage	
Unit Net Weight (Lbs/kg)	184/83.5	189/86
Unit Shipping Weight (Lbs/kg)	238/108	243/110
Unit Net Dimension (In/cm)	39.5L x 28.5W x 26H/100L x 72W x 66H	
Unit Shipping Dimension (In/cm)	48L x 30W x 34H/122L x 76W x 86H	

FRAME ASSEMBLY (AFTER SERIAL #10070000)



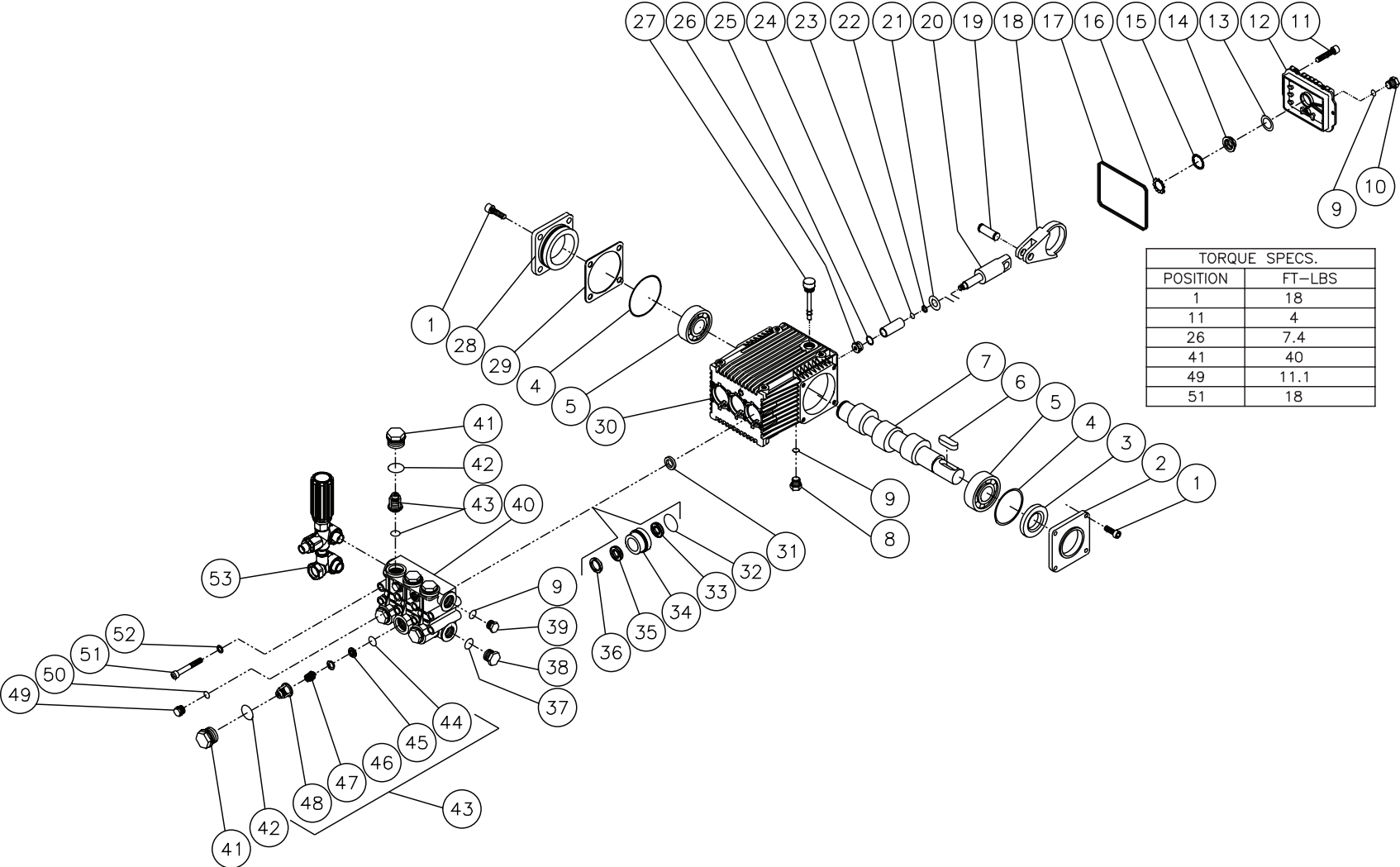
JCW-4003-0MHB/V-051606-JJT

FRAME ASSEMBLY (AFTER SERIAL #10070000)

REF #	DESCRIPTION	PART #	QTY	REF #	DESCRIPTION	PART #	QTY	REF #	DESCRIPTION	PART #	QTY
1	Base Assembly (Inc. 2-12)	851-0329	1	26	Pump Bracket	5-0130A01	1	50	Fastener	33-0197	1
2	Rear Handle	7-0175A01	1	27	Decal- Data Plate	N/A	1	51	Decal- Nozzles 0, 15, 25, 40	34-0500	1
3	Washer	28-0003	24	28	Bolt	27-0121	4	52	Grommet	33-0001	5
4	Locknut	30-0157	18	29	Engine- Honda 13 HP (JCW-4003-0MHB)	1-0086	1	53	Nozzle- 0003	18-0302	1
5	Bolt	27-0067	12	-	Engine- Vanguard 13 HP (JCW-4003-0MVB)	1-0089	1	-	Nozzle- 1503	18-0150	1
6	Wheel	14-0006	2	30	Decal- Warning: Risk of Burns (See 34-9017)	N/A Sep.	1	-	Nozzle- 2503	18-0303	1
7	Nut	30-0117	2	31	Decal- Caution: Risk of Fire (See 34-9017)	N/A Sep.	1	-	Nozzle- 4003	18-0304	1
8	Bolt	27-0068	6	32	Key	43-0078	1	54	Decal- Mi-T-M Stripe	34-0502	1
9	Baseplate	5-0185A01	1	33	Bolt	27-0015	6	55	Decal- Mi-T-M Small Logo	62-0086	1
10	Front Handle	7-0174A01	1	34	Washer	28-0002	4	56	Decal- White Die Cut 4000PSI	34-1400	1
11	Underbracket	13-0137A01	1	35	Locknut	30-0155	2	57	Bushing	9-0017	1
12	Isolator	14-0008	2	36	Finger Guard	6-0054A01	1	58	Sheave	10-0007	1
13	Bolt	27-8884	4	37	Edging *(One Foot Required)	33-0020	1	59	Hose Assembly (Inc. 60-64)	851-0095	1
14	Lockwasher	29-0054	4	38	Beltguard Back Assembly (Inc. 39-42)	851-0213	1	60	Quick Connect Plug	17-0005	1
15	Locknut	30-0159	6	39	Decal- Warning/Caution (See 34-9017)	N/A Sep.	1	61	Trigger Gun	16-0001	1
16	Flatwasher	28-0023	11	40	Beltguard Back Assembly (See 851-0213)	N/A Sep.	1	62	Wand Grip	7-0002	1
17	Bolt	27-0576	1	41	Decal- Warning: Beltguard (See 34-9017)	N/A Sep.	1	63	Wand	16-0418	1
18	Angle Tightener Bracket	13-0005A01	1	42	Edging *(Two Feet Required)	33-0020	1	64	Quick Connect Socket	17-0001	1
19	Bolt	27-0118	2	43	Sheave	10-0074	1	65	O-ring	25-0122	1
20	Filter Inlet	19-0206	1	44	Belt	11-0006	2	66	Decal- Warning: Risk of Injection (See 34-9017)	N/A Sep.	1
21	O-ring	25-0123	2	45	Bushing	9-0005	1	67	Hose Assembly (Inc. 22, 68-69)	851-0338	1
22	Socket	17-0004	2	46	Beltguard Cover Assembly (Inc. 47-52)	851-0313	1	68	Quick Connect Socket	17-0006	1
23	Thermal Relief Valve	22-0005	1	47	Edging *(Three Feet Required)	33-0020	1	69	Hose	15-0209	1
24	Key w/ Pump	43-0091	1	48	Beltguard Cover (See 851-0313)	N/A Sep.	1		Safety Decal Kit (Inc. 30-31, 39, 41, 49, 66)	34-9017	
25	Pump	3-0230	1	49	Decal- Operation (See 34-9017)	N/A Sep.	1				

*Must Order in One Foot Lengths

PUMP ASSEMBLY (3-0230)

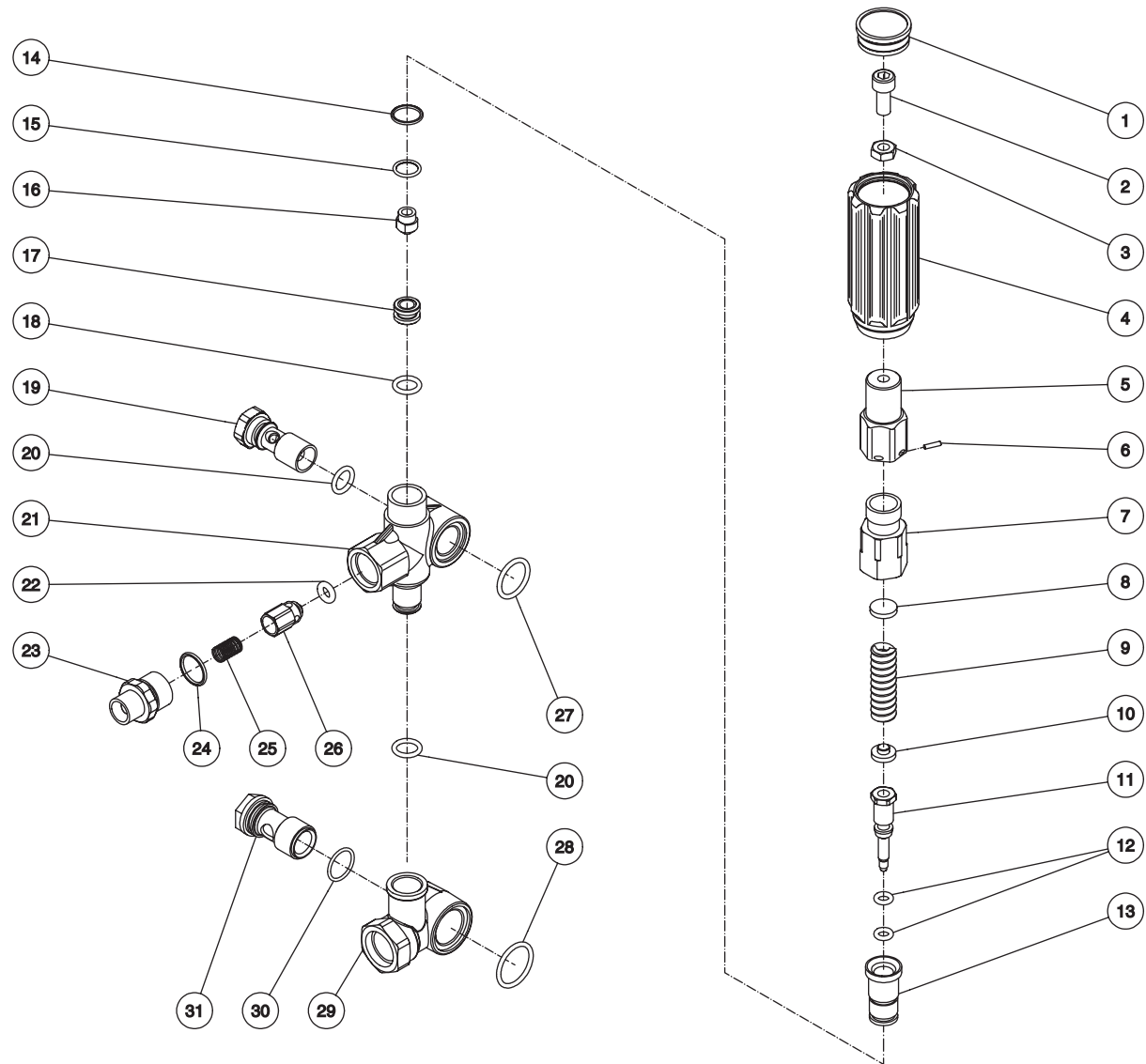


3-0230-010505-DLG

PUMP ASSEMBLY (3-0230)

REF. #	DESCRIPTION	PART #	QTY.	REF. #	DESCRIPTION	PART #	QTY.	REF. #	DESCRIPTION	PART #	QTY.
1	Bolt	27-8884	8	21	Washer	46-0700	3	40	Manifold	46-0813	1
2	Shaft Cover	46-0691	1	22	Backup Ring	25-0404	3	41	Valve Cap	39-0105	6
3	Oil Seal	26-0188	1	23	O-ring	25-0382	3	42	O-ring	25-0160	6
4	O-ring	25-0380	2	24	Piston	46-0701	3	43	Single Valve Assembly (Inc. 44-48) (See 70-0319)	N/A Sep.	6
5	Roller Bearing	48-0072	2	25	Washer	26-0191	3	44	O-ring	25-0386	6
6	Key	43-0091	1	26	Nut	30-6020	3	45	Valve Seat (See 70-0319)	N/A Sep.	6
7	Crankshaft	46-1103	1	27	Oil Dipstick	39-0090	1	46	Valve Plate (See 70-0319)	N/A Sep.	6
8	Plug	39-0102	1	28	Bearing Cap	46-0703	1	47	Valve Spring (See 70-0319)	N/A Sep.	6
9	O-ring	25-0325	3	29	Shim (Quantity Varies 1-3)	46-0704	-	48	Valve Cage (See 70-0319)	N/A Sep.	6
10	Plug	39-0086	1	-	Shim (Quantity Varies 1-3)	46-0705	-	49	Plug	39-0096	2
11	Bolt	27-8885	6	30	Crankcase	46-0811	1	50	O-ring	25-0387	2
12	Crankcase Cover	46-0719	1	31	Oil Seal	46-0931	3	51	Bolt	27-8440	8
13	O-ring	25-0370	1	32	O-ring	25-0384	3	52	Lockwasher	29-0154	8
14	Oil Sight Glass	46-0670	1	33	Low Pressure Seal (See 70-0177)	N/A Sep.	3	53	Unloader Assembly	8-0533	1
15	Reflector	46-0824	1	34	Packing Retainer	46-0708	3		Oil Seals Kit (Inc. 3, 4, 17, 31)	70-0321	
16	Retainer	46-0671	1	35	V-packing (See 70-0177)	N/A Sep.	3		Piston Kit (Inc. 3 each 21-26)	70-0352	
17	O-ring	25-0398	1	36	Support Ring (See 70-0178)	N/A Sep.	3		High Pressure Seals (Inc. 3 each 32, 33, 35)	70-0177	
18	Connecting Rod	46-0922	3	37	O-ring	25-0372	1		Support Rings (Inc. 3 each 36)	70-0178	
19	Piston Pin	46-0698	3	38	Plug	39-0103	1		Valve Kit (Inc. 3 each 44-48)	70-0319	
20	Plunger Rod	46-0699	3	39	Plug	39-0104	1				

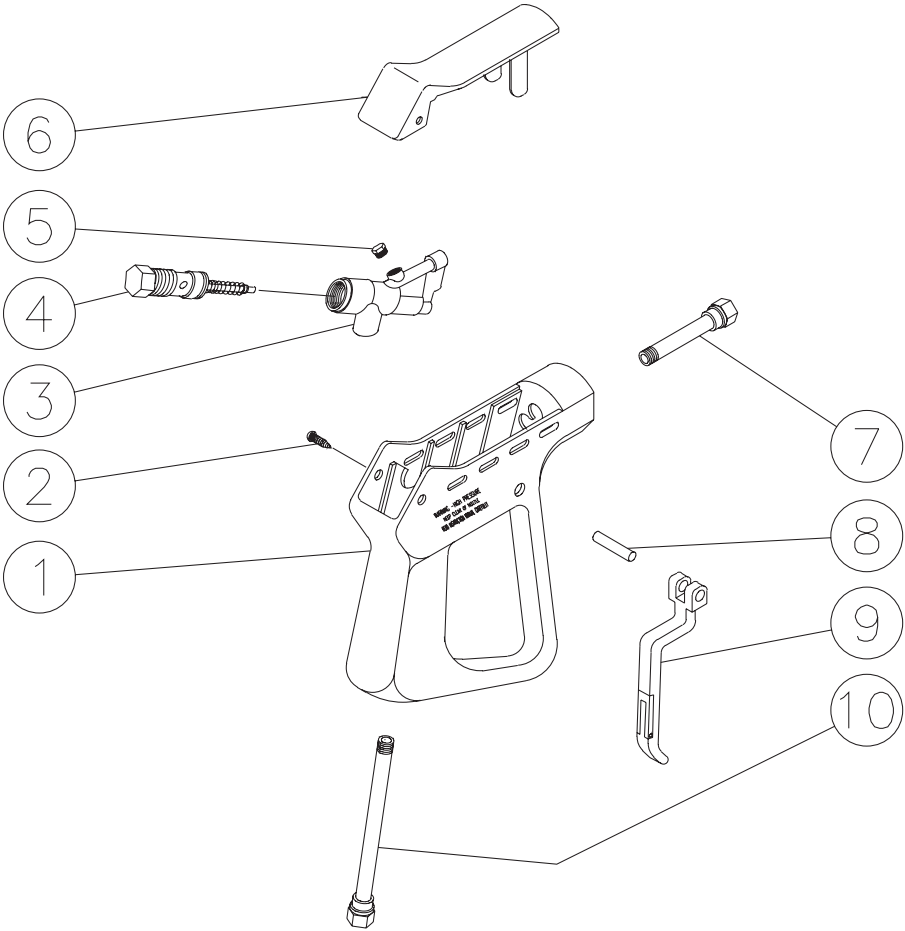
UNLOADER ASSEMBLY (8-0533)



8-0533-102104-JJF

UNLOADER ASSEMBLY (8-0533)								
REF. #	DESCRIPTION	PART #	QTY.		REF. #	DESCRIPTION	PART #	QTY.
1	Unloader Cap	7-0142	1		17	Seat	8-0529	1
2	Screw	27-8433	1		18	O-ring	25-0527	1
3	Nut	30-3025	1		19	Bolt	8-0531	1
4	Unloader Knob	7-0141	1		20	O-ring	25-0388	2
5	Unloader	8-0476	1		21	Unloader Body	8-0530	1
6	Unloader Pin	8-0478	1		22	O-ring	25-0437	1
7	Spring Guide	8-0523	1		23	Adapter Nipple	24-0159	1
8	Upper Plate	8-0524	1		24	O-ring	25-0372	1
9	Unloader Spring	49-0132	1		25	Unloader Check Valve Spring	49-0123	1
10	Lower Plate	8-0525	1		26	Unloader Check Valve	8-0454	1
11	Piston	8-0526	1		27	O-ring	25-0528	1
12	O-ring	25-0526	2		28	O-ring	25-0519	1
13	Piston Guide	8-0527	1		29	Bypass Housing	8-0532	1
14	O-ring	25-0510	1		30	O-ring	25-0389	1
15	O-ring	25-0407	1		31	Bolt	8-0517	1
16	Bypass Jet	8-0528	1			Unloader Repair Kit (Inc. 12, 14-15, 18, 20, 22, 24, 27, 28, 30)	70-0341	

GUN ASSEMBLY (16-0001)



GUN ASSEMBLY (16-0001)			
REF. #	DESCRIPTION	PART #	QTY.
1	Plastic Housing	16-0008	1
2	Screw	27-3230	2
3	Brass Housing	16-0012	1
4	Gun Repair Kit	70-0055	1
5	Brass Plug	39-0024	1
6	Plastic Cover	16-0009	1
7	Pipe Assembly	16-0013	1
8	Trigger Pin	16-0063	1
9	Trigger/Safety Lock-off	16-0010	1
10	Pipe Assembly- Inlet	16-0016	1
	Complete Gun Assembly	16-0001	1

Manufactured by Mi-T-M
8650 Enterprise Drive, Peosta IA 52068
563-556-7484/ Fax 563-556-1235