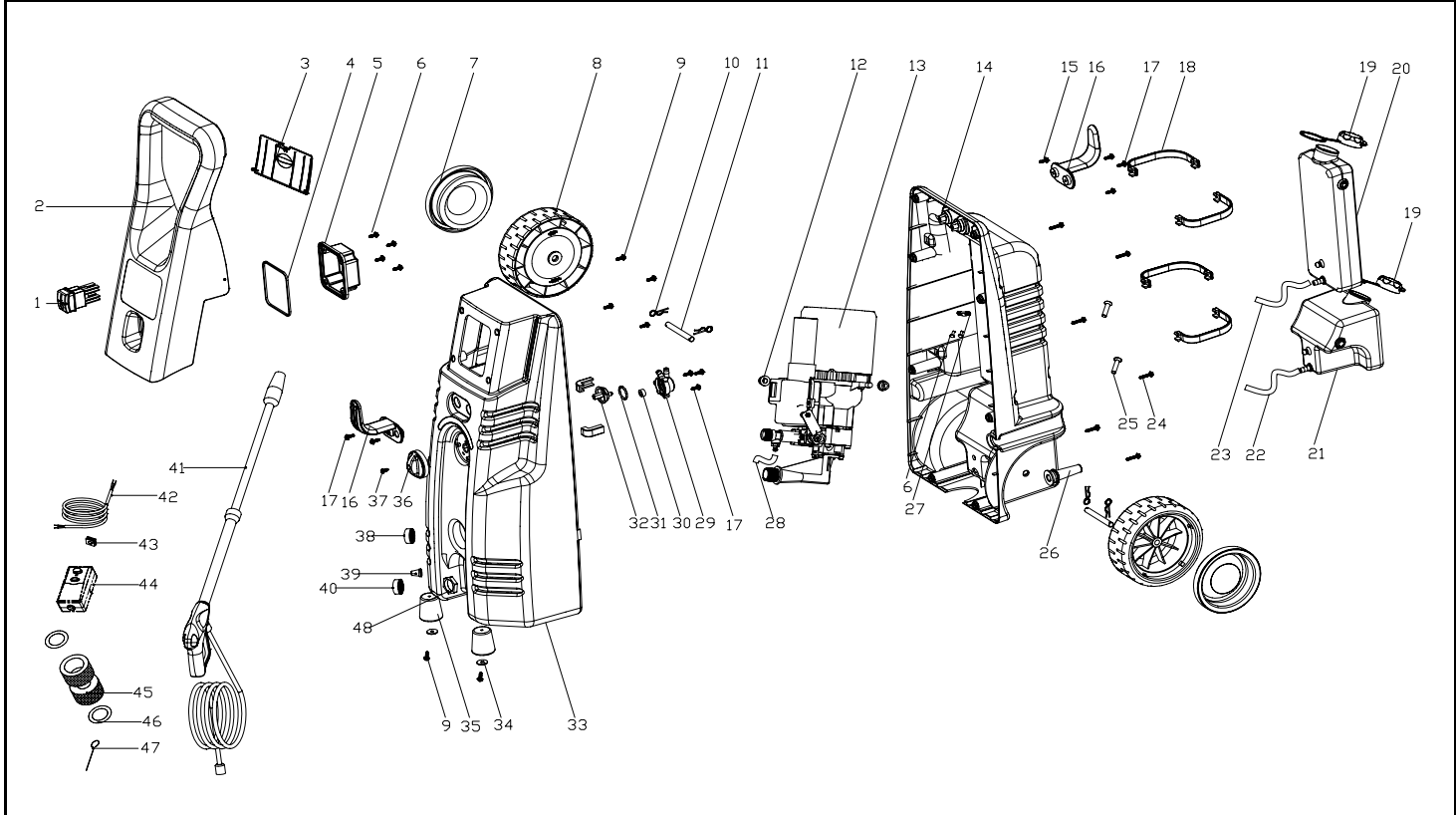




SERVICE SPARE PARTS LIST

SPECIFY MODEL NO. WHEN ORDERING PARTS	DATE	REVISED DATE
High Pressure Washer	11/22/2007	6/15/2009
MODEL NO. FHH20C		



No.	STK CODE	Parts No.	Description	Q	No.	STK CODE	Parts No.	Description	Q
1	C	7022-140A04	SWITCH	1	25	C	7SVAB-08-20	SCREW	2
2	C	7068-H20C01	HANDLE	1	26	B	7059-H20C01	CORD GUARD	1
3	C	7017-H20C02	COVER	1	27	C	7043-140A01	CORD CLAMP	1
4	B	7012-H20C01	RUBBER PLUG	1	28	B	7129-H20C03	SINPHON III	1
5	C	7017-H20C01	COVER, SWITCH	1	29	C	7072-H20C01	HYDROPAULIC SEAT	1
6	C	7SLABB3.5-12	SCREW	6	30	B	7012-H20C02	RUBBER PLUG	2
7	C	6017-BQ0103	WHEEL COVER	2	31	B	7076-H20C01	O RING	1
8	C	6137-160A01	WHEEL	2	32	C	7072-H20C02	KNOB SEAT	1
9	C	7SLABB04-16	SCREW	6	33	C	7003-H20C01	HOUSING, FRONT	1
10	C	7PB-08-25	PIN	4	34	C	7WFZ-04-16	WASHER	2
11	C	7177-H20C01	WHEEL SHAFT	2	35	B	7014-H20C01	RUBBER PLUG	2
12	C	7014-170A01	RUBBER PAD	2	36	C	7134-H20C01	KNOB	1
13	C	7228-H20C01	MOTOR & HIGH PRESSURE PUMP ASS'Y	1	37	C	7SDABB04-10	SCREW	1
14	C	7003-H20C02	HOUSING, AFTER	1	38	C	7067-140A05	OUTLET CAP	1
15	C	7SLABB04-16	SCREW	2	39	B	7183-140A02	FILTER GAUZE	1
16	C	7161-H20C01	HOOK	2	40	C	7154-140A04	INLET CAP	1
17	C	7SLABB3.5-16	SCREW	7	41	C	7228-H20B01	WASH MANCHINE HAND ASS'Y	1
18	B	7004-H20C01	FRAME	4	42	C	7011-170A01	POWER CORD	1
19	C	7086-H20C01	CAP, WASHING JAR	2	43	C	7059-140A03	PROTECTOR	1
20	C	7066-H20C01	WASHING JAR I	1	44	C	7247-180A02	CIRCUIT-BREAKER	1
21	C	7066-H20C02	WASHING JAR II	1	45	C	7154-180A01	CONNECTOR	1
22	B	7129-H20C01	SINPHON I	1	46	B	7076-180001	WASHER	2
23	B	7129-H20C02	SINPHON II	1	47	B	6197-160A02	CLEANING PROBE	1
24	C	7SLABB04-20	SCREW	6	48	C	7236-170A01	NUT	1

STK Codes are:
 A - consumable parts B - one year broken parts C - three years broken parts D - five years broken parts E- Not easy broken parts

High Pressure Washer
FHH20C

PARTS LIST

6/15/2009

No.	Parts No.	Description	Q	P Code
1	7022-140A04	SWITCH	1	140
2	7068-H20C01	HANDLE	1	140
3	7017-H20C02	COVER	1	140
4	7012-H20C01	RUBBER PLUG	1	140
5	7017-H20C01	COVER, SWITCH	1	140
6	7SLABB3.5-12	SCREW	6	140
7	6017-BQ0103	WHEEL COVER	2	140
8	6137-160A01	WHEEL	2	140
9	7SLABB04-16	SCREW	6	140
10	7PB-08-25	PIN	4	140
11	7177-H20C01	WHEEL SHAFT	2	140
12	7014-170A01	RUBBER PAD	2	140
13	7228-H20C01	MOTOR & HIGH PRESSURE PUMP ASS'Y	1	140
13A	7200-H20014	WATER INLET		140
14	7003-H20C02	HOUSING, AFTER	1	140
15	7SLABB04-16	SCREW	2	140
16	7161-H20C01	HOOK	2	140
17	7SLABB3.5-16	SCREW	7	140
18	7004-H20C01	FRAME	4	140
19	7086-H20C01	CAP, WASHING JAR	2	140
20	7066-H20C01	WASHING JAR I	1	140
21	7066-H20C02	WASHING JAR II	1	140
22	7129-H20C01	SINPHON I	1	140
23	7129-H20C02	SINPHON II	1	140
24	7SLABB04-20	SCREW	6	140
25	7SVAB-08-20	SCREW	2	140
26	7059-H20C01	CORD GUARD	1	140
27	7043-140A01	CORD CLAMP	1	140
28	7129-H20C03	SINPHON III	1	140
29	7072-H20C01	HYDROPAULIC SEAT	1	140
30	7012-H20C02	RUBBER PLUG	2	140
31	7076-H20C01	O RING	1	140
32	7072-H20C02	KNOB SEAT	1	140
33	7003-H20C01	HOUSING, FRONT	1	140
34	7WFZ-04-16	WASHER	2	140
35	7014-H20C01	RUBBER PLUG	2	140
36	7134-H20C01	KNOB	1	140
37	7SDABB04-10	SCREW	1	140
38	7067-140A05	OUTLET CAP	1	140
39	7183-140A02	FILTER GAUZE	1	140
40	7154-140A04	INLET CAP	1	140
41	7228-H20B01	WASH MANCHINE HAND ASS'Y	1	140
41A	7196-H20B01	HOSE AND TRIGGER ASS'Y	1	140
41B	7200-140D55	WAND	1	140
41C	7200-140D54	NOZZLE	1	140
42	7011-170A01	POWER CORD	1	140
43	7059-140A03	PROTECTOR	1	140
44	7247-180A02	CIRCUIT-BREAKER	1	140
45	7154-180A01	CONNECTOR	1	140
46	7076-180001	WASHER	2	140
47	6197-160A02	CLEANING PROBE	1	140
48	7236-170A01	NUT	1	140