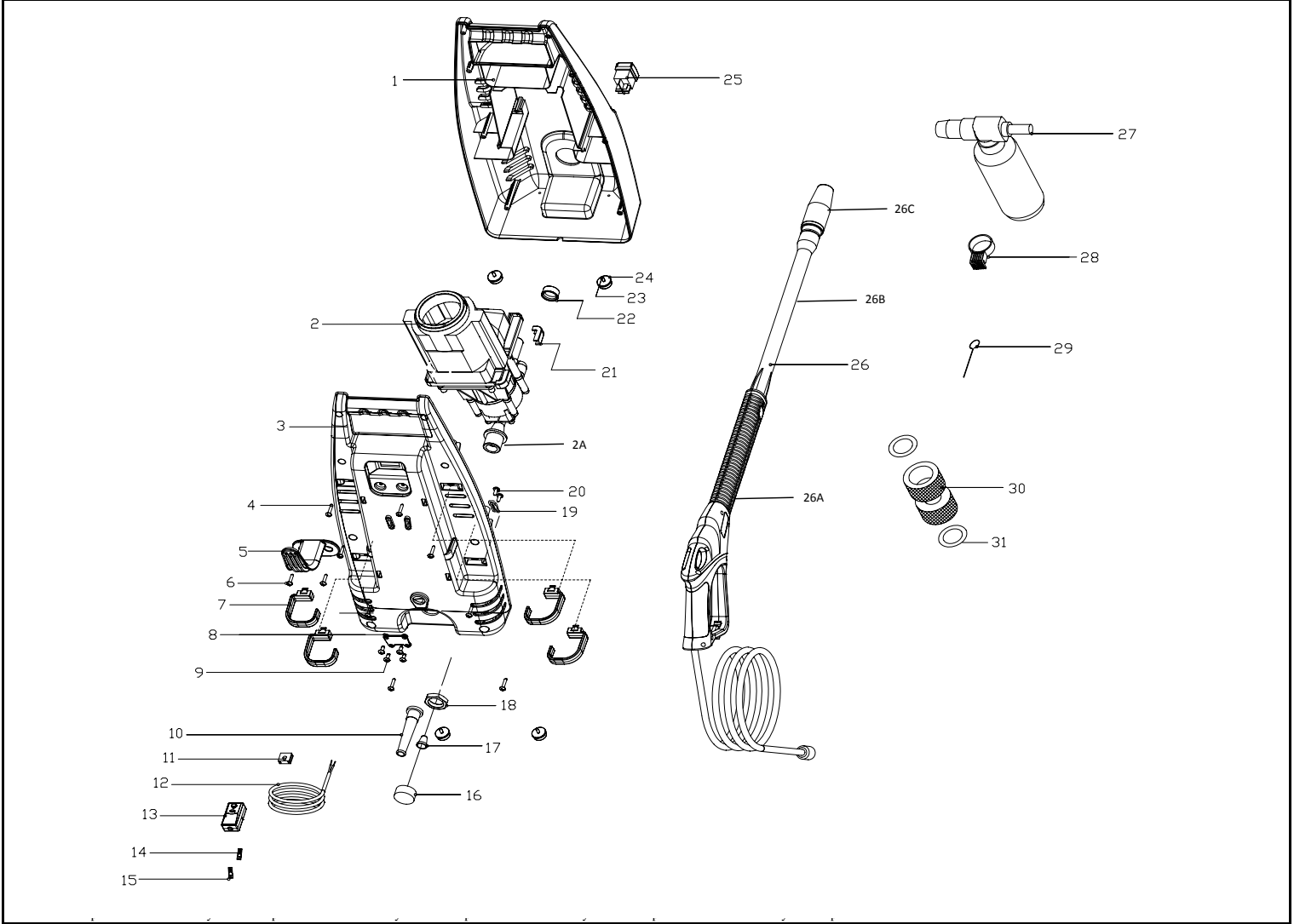




SERVICE SPARE PARTS LIST

SPECIFY MODEL NO. WHEN ORDERING PARTS		DATE	REVISED DATE
High Pressure Washer		11/23/2007	8/12/2009
MODEL NO.	FHH16J		V1



**High Pressure Washer
FHH16J**

PARTS LIST

8/12/2009

No.	Parts No.	Description	Q	P Code
1	7003-H16J01	REAR HOUSING	1	140
2	7228-160H01	MOTOR & HIGH-PRESSURE PUMP ASS'Y	1	140
2A	7200-140A02	WATER INLET	1	140
3	7003-H16J02	FRONT HOUSING	1	140
4	7SLABB04-20	SCREW	8	140
5	7161-H20C01	HOOK	1	140
6	7SLABB3.5-16	SCREW	2	140
7	7004-140A01	FRAME	4	140
8	7023-140A01	HOOK	1	140
9	6SDABB04-12	SCREW	4	140
10	6059-855001	CORD GUARD	1	140
11	7059-140A03	WIRE PROTECTOR	1	140
12	7011-140A01	POWER CORD	1	140
13	7247-140A02	CIRCUIT BREAKER	1	140
14	7041-140A01	PIN	2	140
15	7059-140A01	PROTECTOR	2	140
16	7154-140A04	INLET CAP	1	140
17	7183-140A02	FILTER	1	140
18	7236-170A01	NUT	1	140
19	7158-140A01	CORD CLAMP	1	140
20	7SLABB04-12	SCREW	2	140
21	7014-140A01	RUBBER PAD	4	140
22	7067-140A05	INLET COVER	1	140
23	7SLABB04-12	SCREW	4	140
24	7027-140A01	RUBBER FOOT	4	140
25	7022-140A04	SWITCH	1	140
26	7228-140B05	WASHING MANCHINE HAND ASS'Y	1	140
26A	7196-140B04	HOSE TRIGGER ASS'Y	1	140
26B	7200-140D55	WAND	1	140
26C	7200-140D53	NOZZLE	1	140
27	7228-140C03	WASHING JAR ASS'Y	1	140
28	7132-140A01	HOOK	1	140
29	6197-160A02	CLEANING PROBE	1	140
30	7154-180A01	CONNECTOR	1	140
31	7076-180001	WASHER	2	140