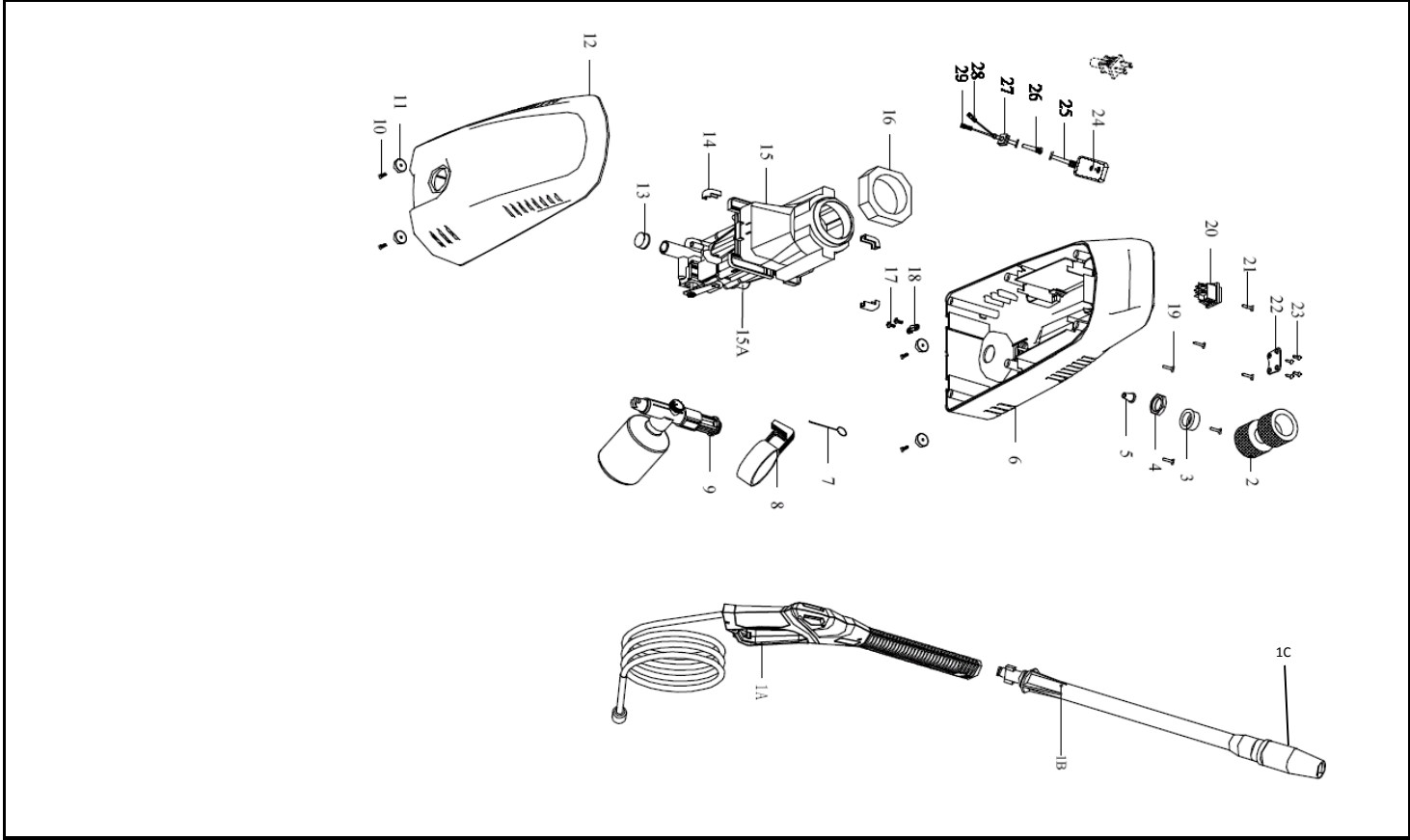


SERVICE SPARE PARTS LIST

SPECIFY MODEL NO. WHEN ORDERING PARTS		DATE	REVISED DATE
High Pressure Washer		2009-1-16	2009-1-16
MODEL NO.	FH160G		



**High Pressure Washer
FH160G**

PARTS LIST

8/11/2009

No.	Parts No.	Description	Q	P Code
1	7228-140B05	BARREL ASS'Y	1	140
1A	7196-140B04	HOSE AND TRIGGER ASS'Y	1	140
1B	7200-140D55	WAND	1	140
1C	7200-140D53	NOZZLE	1	140
2	7154-180A01	JOINT	1	140
3	7076-180001	WASHER	2	140
4	7236-170A01	NUT	1	140
5	7183-140A02	FILTER	1	140
6	7038-140C02	REAR HOUSING	1	140
7	6197-160A02	CLEANING PROBE	1	140
8	7132-140A01	HOOK	1	140
9	7228-140C03	WASHING JAR ASS'Y	1	140
10	7SLABB04-12	SCREW	6	140
11	7027-140A01	RUBBER PAD	4	140
12	7038-140C01	FRONT HOUSING	1	140
13	7067-140A05	INLET COVER	1	140
14	7014-140A01	RUBBER PAD	4	140
15	7228-160H01	MOTOR & HIGH-PRESSURE PUMP ASS'Y	1	140
15A	7200-140A02	WATER INLET	1	140
16	7158-140A01	PLATE	1	140
17	7SLABB03.5-12	SCREW	2	140
18	7158-140A01	PLATE	1	140
19	7SLABB04-20	SCREW	4	140
20	7022-140A04	SWITCH	1	140
21	7SLABB04-16	SCREW	2	140
22	7023-140A01	HOOK	1	140
23	7SDABB3.5-12	SCREW	4	140
24	7247-140A02	CIRCUIT BREAKER	1	140
25	7011-140A01	POWER CORD	1	140
26	6059-855001	CORD GUARD	1	140
27	7059-140A03	WIRE PROTECTOR	1	140
28	7059-140A01	PROTECTOR	2	140
29	7041-140A01	PIN	2	140