



***Performance Under Pressure***

PARTS LIST FOR  
***CWC-4005-OMGH/GV***  
***CWC-5004-OMGH/GV***  
(AFTER SERIAL #10073651)

ENGINE OIL GRADE:	
HONDA:	SAE10W-30
VANGUARD:	ABOVE 40°F=SAE30
	BELOW 40°F=SAE10W-30
ENGINE OIL CAPACITY:	54 oz.
PUMP OIL GRADE:	Mi-T-M #AW-4085-0016
PUMP OIL CAPACITY:	40.6 oz.
PRESSURE NOZZLE SIZE FOR	
CWC-4005-OMGH/GV	5.0
CWC-5004-OMGH/GV	3.5

This Parts Listing has been compiled for your benefit. You can be assured your Mi-T-M Cold Water Pressure Washer was constructed and designed with quality and performance in mind using over 25 years experience in the pressure washer business. Each component has been rigorously tested to insure the highest level of acceptance.

The contents of this Parts Listing are based on the latest product information available at the time of publication. Mi-T-M reserves the right to make changes in price, color, materials, equipment, specifications or models at any time without notice.

### **WARNING**

THIS IS A PROFESSIONAL HIGH PRESSURE, COLD WATER PRESSURE WASHER. CAUTION SHOULD BE OBSERVED WHEN USING OR REPAIRING THIS UNIT! READ AND FOLLOW THE SAFETY WARNINGS LISTED BELOW BEFORE ATTEMPTING ANY REPAIRS ON THIS PRESSURE WASHER!

### **SAFETY WARNINGS**

1. NEVER alter or modify the equipment. Be sure any accessory items and system components being used will withstand the pressure developed. Use only genuine Mi-T-M parts for repair of your pressure washer. Failure to do so can cause hazardous operating conditions and will VOID warranty.
2. NEVER make adjustments on machinery while the unit is connected to the power source. Turning over the machinery by hand during adjustment or cleaning might start the machinery, causing serious injury to the operator.
3. Know how to stop and bleed pressures quickly. Be thoroughly familiar with controls.
4. Before servicing the unit, turn unit off, relieve the water pressure and allow the unit to cool down. Do not make repairs while the unit is running. Service in a clean, dry, flat area.
5. After testing the machine, DO NOT leave the pressurized unit unattended. Shut off the unit and release trapped pressure before leaving.

## Table of Contents

SPECIFICATIONS FOR CWC-4005-0MGH/0MGV .....	4
SPECIFICATIONS FOR CWC-5004-0MGH/0MGV .....	5
FRAME ASSEMBLY FOR CWC-4005-0MGH/0MGV (AFTER SERIAL #10073651).....	6
FRAME ASSEMBLY FOR CWC-5004-0MGH/0MGV (AFTER SERIAL #10073651).....	8
PUMP ASSEMBLY (3-0169) .....	10
UNLOADER ASSEMBLY (8-0522) .....	12
GUN ASSEMBLY (16-0343) .....	14
HONDA ENGINE ASSEMBLY (851-0307).....	16
VANGUARD ENGINE ASSEMBLY (851-0318) .....	18

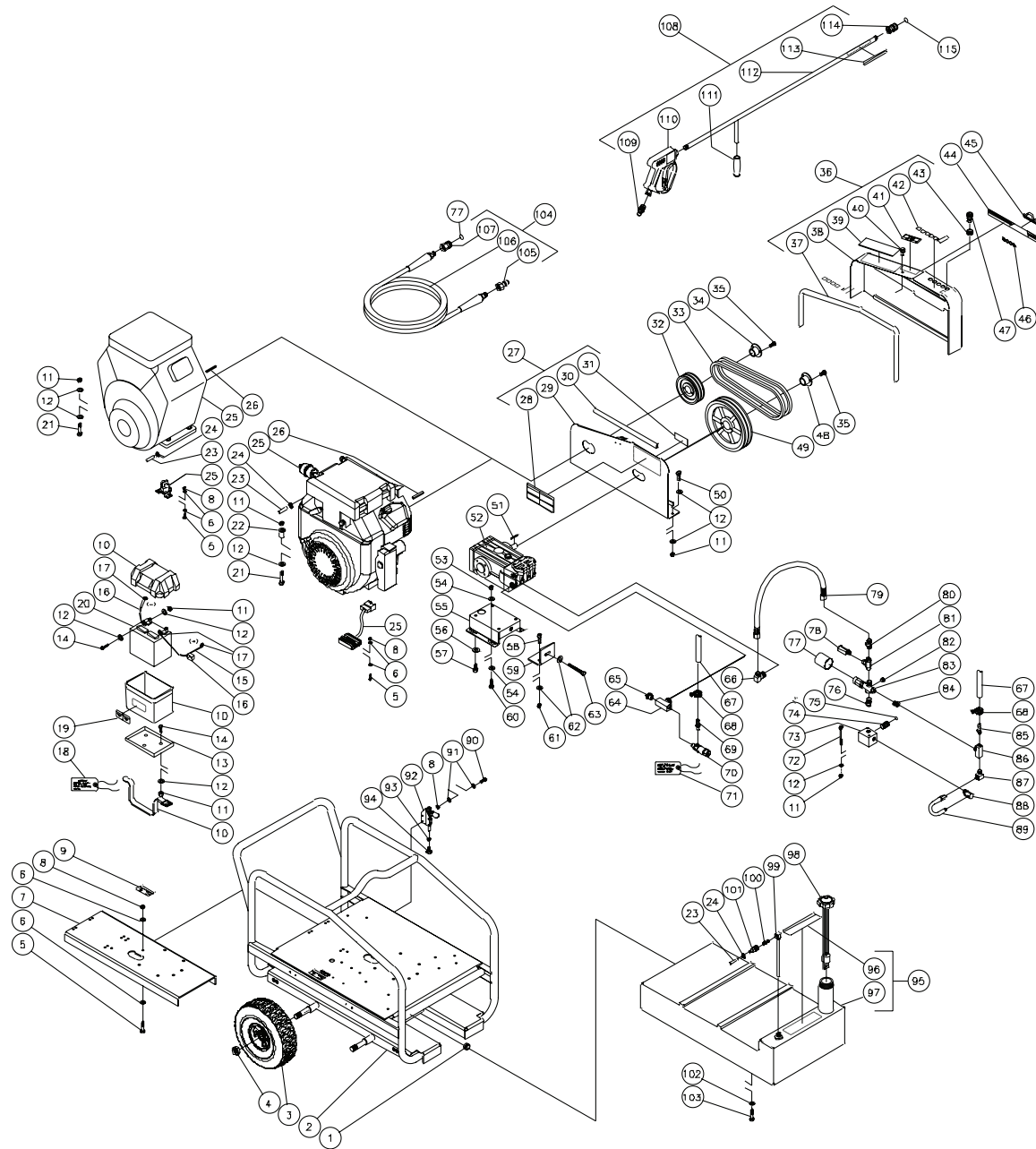
**SPECIFICATIONS FOR CWC-4005-0MGH/0MGV**

<b>MODEL NUMBER</b>	<b>CWC-4005-0MGH</b>	<b>CWC-4005-0MGV</b>
<b>Operating Pressure (PSI/Bar):</b>	4000/276	
<b>High Pressure Nozzle:</b>	5.0	
<b>Water Volume (GPM/lpm):</b>	5.0/18.9	
<b>Engine:</b>	Honda	Briggs & Stratton Vanguard
Horsepower	20.0	
Engine Type	4 Stroke, Overhead Valve, Single Cylinder	
Oil Type	SAE10W-30	Above 40°F = SAE30/Below 40°F = SAE10W-30
Oil Capacity (oz./liter)	54/1.6	
Low Oil Protection	Oil Alert™	Oil Guard™
Fuel Type	Unleaded Gasoline 86 Octane Minimum	
Fuel Capacity (gal./liter)	11.5/43.5	
Starting	Electric	
Maximum No Load RPM	3600 (+/- 100) RPM	
Heat Dump Valve	Relieves heated water during unloader bypass stage	
<b>Pump:</b>	Belt Driven, Oil Bath, Triplex Piston	
Oil Type	Mi-T-M Pump Oil #AW-4085-0016	
Oil Capacity (oz./liters)	40.6/1.2	
Plungers	Ceramic	
Manifold	Forged Brass	
Valves	Stainless Steel	
Unloader	Preset	
<b>Unit Net Weight (lbs/Kg)</b>	378/171.5	363/165
<b>Unit Shipping Weight (lbs/Kg)</b>	501/227	486/220.5
<b>Unit Net Dimension (cm)</b>	43Lx23.75Wx36H/109Lx70.5Wx91.5H	
<b>Unit Shipping Dimension (cm)</b>	46.5Lx31.5Wx48.5H/118Lx80Wx123H	

**SPECIFICATIONS FOR CWC-5004-0MGH/0MGV**

<b>MODEL NUMBER</b>	<b>CWC-5004-0MGH</b>	<b>CWC-5004-0MGV</b>
<b>Operating Pressure (PSI/Bar):</b>	5000/344.7	
<b>High Pressure Nozzle:</b>	3.5	
<b>Water Volume (GPM/lpm):</b>	4.0/15.1	
<b>Engine:</b>	Honda	Briggs & Stratton Vanguard
Horsepower	20.0	
Engine Type	4 Stroke, Overhead Valve, Single Cylinder	
Oil Type	SAE10W-30	Above 40°F = SAE30/Below 40°F = SAE10W-30
Oil Capacity (oz./liter)	54/1.6	
Low Oil Protection	Oil Alert™	Oil Guard™
Fuel Type	Unleaded Gasoline 86 Octane Minimum	
Fuel Capacity (gal./liter)	11.5/43.5	
Starting	Electric	
Maximum No Load RPM	3600 (+/- 100) RPM	
Heat Dump Valve	Relieves heated water during unloader bypass stage	
<b>Pump:</b>	Belt Driven, Oil Bath, Triplex Piston	
Oil Type	Mi-T-M Pump Oil #AW-4085-0016	
Oil Capacity (oz./liters)	40.6/1.2	
Plungers	Ceramic	
Manifold	Forged Brass	
Valves	Stainless Steel	
Unloader	Preset	
<b>Unit Net Weight (lbs/Kg)</b>	378/171.5	363/165
<b>Unit Shipping Weight (lbs/Kg)</b>	501/227	486/220.5
<b>Unit Net Dimension (cm)</b>	43Lx23.75Wx36H/109Lx70.5Wx91.5H	
<b>Unit Shipping Dimension (cm)</b>	46.5Lx31.5Wx48.5H/118Lx80Wx123H	

# FRAME ASSEMBLY FOR CWC-4005-0MGH/0MGV (AFTER SERIAL #10073651)

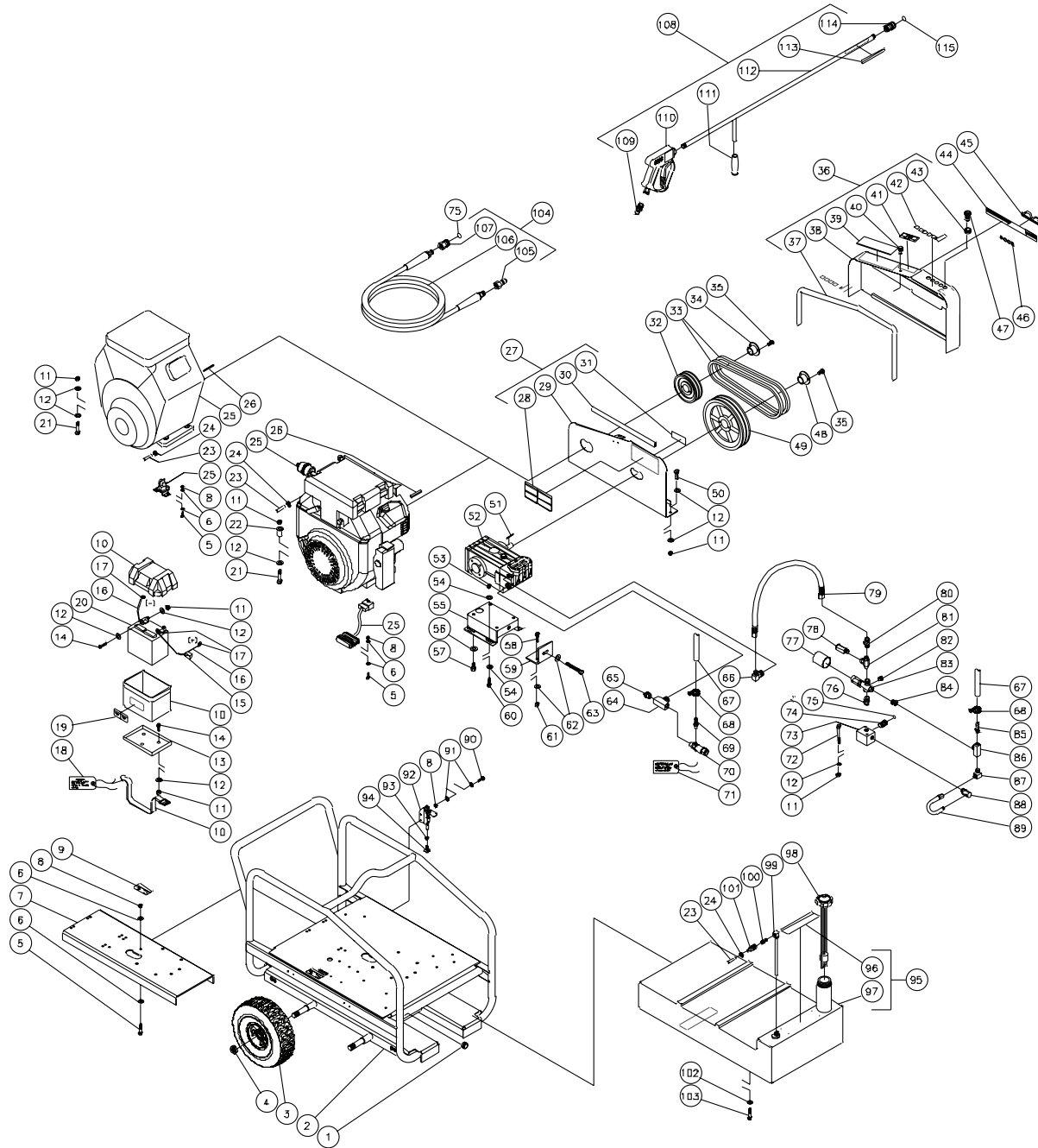


CWC-4005-0MGH/V-050903-DLG

FRAME ASSEMBLY FOR CWC-4005-0MGH/0MGV (AFTER SERIAL #10073651)											
REF. #	DESCRIPTION	PART #	QTY.	REF. #	DESCRIPTION	PART #	QTY.	REF. #	DESCRIPTION	PART #	QTY.
1	Grommet	33-0002	2	38	Beltguard Cover (See 851-0348)	N/A Sep.	1	76	Nipple	24-0010	1
2	Frame Assembly	5-0136A42	1	39	Decal- Operating Instructions (See 34-9017)	N/A Sep.	1	77	Heat Shrink Tubing *(One Foot Required)	33-0272	1
3	Wheel	14-0092	4	40	Decal- Warning: Muffler Hot (See 34-9017)	N/A Sep.	1	78	Easy Start Valve	22-0319	1
4	Jamnut	30-0117	4	41	Fastener	33-0197	1	79	High Pressure Cross Over Hose	15-0177	1
5	Bolt	27-0016	3	42	Decal- Die Cut Nozzles	34-0500	1	80	Nipple	24-0002	1
6	Washer	28-0021	6	43	Grommet	33-0001	5	81	Branch "T"	24-0026	1
7	Support Bracket	13-0120A01	1	44	Decal- Mi-T-M Stripe	34-0501	1	82	Plug	39-0017	1
8	Nut	30-0155	3	45	Mi-T-M Logo	62-0086	1	83	Unloader	8-0522	1
9	Decal- Data Plate	N/A	1	46	Decal- Die Cut 4005	34-0833	1	84	Bushing	23-0016	1
10	Battery Box	33-0092	1	47	Spray Nozzle- 0005	18-0003	1	85	Barb	23-0105	1
11	Ny-lok Nut	30-0157	14	-	Spray Nozzle- 1505	18-0004	1	86	Branch	23-0117	1
12	Washer (CWC-4005-0MGH)	28-0003	22	-	Spray Nozzle- 2505	18-0153	1	87	Elbow	23-0324	1
-	Washer (CWC-4005-0MGV)	28-0003	26	-	Spray Nozzle- 4005	18-0180	1	88	Valve	22-0242	1
13	Battery Retainer	20-0264A01	1	48	Bushing	9-0017	1	89	Hose Barb	15-0140	1
14	Bolt	27-0066	4	49	Sheave	10-0012	1	90	Bolt	27-0015	2
15	Battery Cable Cover	33-0004	1	50	Bolt	27-0067	4	91	Washer	28-0002	4
16	Battery Cable *(Four Feet Required) Pos.=22"	32-0065	1	51	Key w/Pump	43-0028	1	92	Toggle Clamp	33-0400	1
-	Battery Cable *(Four Feet Required) Neg.=16"	32-0065	1	52	Pump	3-0169	1	93	Hex Nut	30-0004	1
17	Terminal Ring	32-0097	4	53	Locknut	30-0161	4	94	Bolt	27-9550	1
18	Tag- Battery	34-0096	1	54	Washer	28-0030	8	95	Fuel Tank Assembly (Inc. 96-97)	851-0319	1
19	Decal- Caution: Disconnect Battery (See 34-9017)	N/A Sep.	1	55	Pump Bracket	5-0101A01	1	96	Decal- Caution: Gas Only (See 34-9017)	N/A Sep.	1
20	Battery	32-0058	1	56	Washer w/Pump	29-0055	4	97	Fuel Tank (See 851-0319)	N/A Sep.	1
21	Bolt	27-0071	4	57	Bolt w/Pump	27-8471	4	98	Fuel Cap w/Gauge	12-0061	1
22	Shim (CWC-4005-0MGH)	33-0169	4	58	Bolt	27-0118	2	99	Fuel Pick-up	33-0271	1
23	Fuel Line *(Four Feet Required) (CWC-4005-0MGH)	15-0031	1	59	Brace Tightner	13-0003A01	1	100	Quick Connect Plug	17-0038	1
-	Fuel Line *(Three Feet Required) (CWC-4005-0MGV)	15-0031	1	60	Bolt	27-0167	4	101	Quick Connect Socket	17-0018	1
24	Hose Clamp	42-0004	2	61	Locknut	30-0159	2	102	Washer	28-0022	4
25	Motor Assembly (CWC-4005-0MGH)	851-0307	1	62	Washer	28-0023	3	103	Bolt	27-9524	4
-	Motor Assembly (CWC-4005-0MGV)	851-0318	1	63	Bolt	27-0576	1	104	Pressure Hose Assembly (Inc. 105-107)	851-0006	1
26	Key	43-0078	1	64	Branch "T"	23-0235	1	105	Quick Connect Plug	17-0006	1
27	Beltguard Back Assembly (Inc. 28-31)	851-0310	1	65	Thermal Relief Valve	22-0005	1	106	Pressure Hose	15-0004	1
28	Decal- Warning/Caution (See 34-9017)	N/A Sep.	1	66	Elbow	24-0092	1	107	Quick Connect Socket	17-0004	1
29	Beltguard Back (See 851-0310)	N/A Sep.	1	67	Hose *(Three Feet Required)	15-0007	1	108	Gun/Lance Assembly (Inc. 109-114)	851-0309	1
30	Edging *(Two Feet Required)	33-0020	1	68	Clamp	42-0011	2	109	Quick Connect Plug	17-0005	1
31	Decal- Warning: Beltguard (See 34-9017)	N/A Sep.	1	69	Hose Barb	23-0120	1	110	Gun	16-0343	1
32	Sheave	10-0119	1	70	Inlet Filter	19-0207	1	111	Grip Handle	7-0002	1
33	Belt	11-0054	2	71	Tag- Water Inlet Supply	34-0097	1	112	Lance	16-0342A01	1
34	Bushing	9-0005	1	72	Bolt	27-0074	2	113	Decal- Warning: Risk of Injection (See 34-9017)	N/A Sep.	1
35	Bolt	27-0015	4	73	Manifold Block	51-0020	1	114	Quick Connect	17-0036	1
36	Beltguard Cover Assembly (Inc. 37-43)	851-0348	1	74	Quick Connect Socket	17-0042	1	115	O-ring (Replacement Only)	25-0122	-
37	Edging *(Four Feet Required)	33-0020	1	75	O-ring (Replacement Only)	25-0123	-		Safety Decal Kit (Inc. 19, 28, 31, 39-40, 96, 113)	34-9017	

\*Must Order in One Foot Lengths

# FRAME ASSEMBLY FOR CWC-5004-0MGH/0MGV (AFTER SERIAL #10073651)



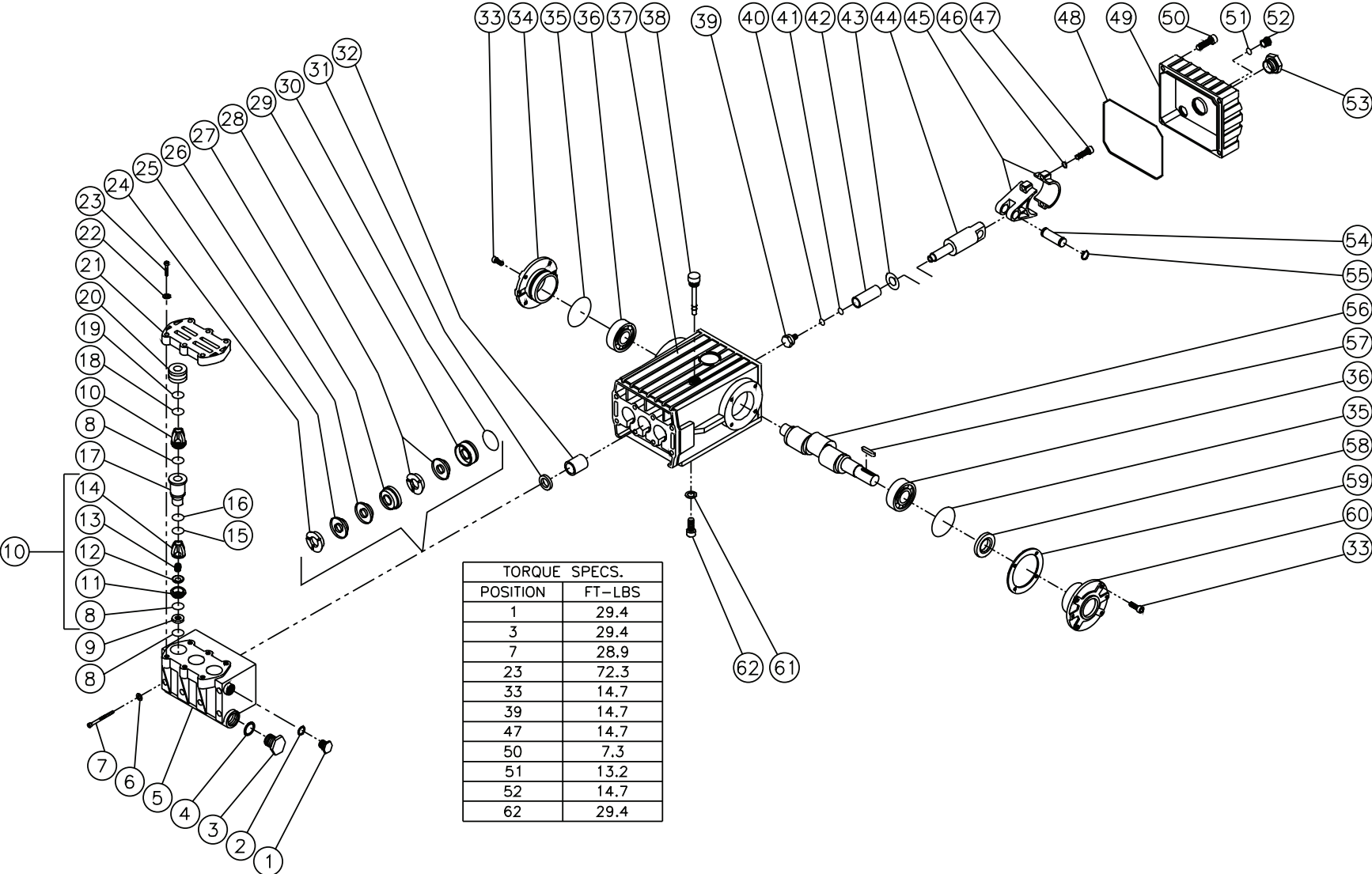
CWC-5004-0MGH/V-050903-DLG



FRAME ASSEMBLY FOR CWC-5004-0MGH/0MGV (AFTER SERIAL #10073651)											
REF. #	DESCRIPTION	PART #	QTY.	REF. #	DESCRIPTION	PART #	QTY.	REF. #	DESCRIPTION	PART #	QTY.
1	Grommet	33-0002	2	38	Beltguard Cover (See 851-0311)	N/A Sep.	1	76	Nipple	24-0010	1
2	Frame Assembly	5-0136A42	1	39	Decal- Operating Instructions (See 34-9017)	N/A Sep.	1	77	Heat Shrink Tubing *(One Foot Required)	33-0272	1
3	Wheel	14-0092	4	40	Fastener	33-0197	1	78	Safety Relief Valve	22-0319	1
4	Jamnut	30-0117	4	41	Decal- Warning: Muffler Hot (See 34-9017)	N/A Sep.	1	79	High Pressure Cross Over Hose	15-0177	1
5	Bolt	27-0016	3	42	Decal- Die Cut Nozzles	34-0500	1	80	Nipple	24-0002	1
6	Washer	28-0021	6	43	Grommet	33-0001	5	81	Tee	24-0026	1
7	Support Bracket	13-0120A01	1	44	Decal- Mi-T-M Stripe	34-0501	1	82	Plug	39-0017	1
8	Nut	30-0155	3	45	Mi-T-M Logo	62-0086	1	83	Unloader	8-0522	1
9	Decal- Data Plate	N/A	1	46	Decal- Die Cut 5004	34-0834	1	84	Bushing	23-0016	1
10	Battery Box	33-0092	1	47	Spray Nozzle- 00035	18-0257	1	85	Barb	23-0105	1
11	Ny-lok Nut	30-0157	14	-	Spray Nozzle- 15035	18-0258	1	86	Branch	23-0117	1
12	Washer (CWC-5004-0MGH)	28-0003	22	-	Spray Nozzle- 25035	18-0259	1	87	Elbow	23-0324	1
-	Washer (CWC-5004-0MGV)	28-0003	26	-	Spray Nozzle- 40035	18-0260	1	88	Valve	22-0242	1
13	Battery Retainer	20-0264A01	1	48	Bushing	9-0017	1	89	Hose Barb	15-0140	1
14	Bolt	27-0066	4	49	Sheave	10-0012	1	90	Bolt	27-0015	2
15	Battery Cable Cover	33-0004	1	50	Bolt	27-0067	4	91	Washer	28-0002	4
16	Battery Cable *(Four Feet Required) Pos.=22"	32-0065	1	51	Key w/Pump	43-0028	1	92	Toggle Clamp	33-0400	1
-	Battery Cable *(Four Feet Required) Neg.=16"	32-0065	1	52	Pump	3-0169	1	93	Hex Nut	30-0004	1
17	Terminal Ring	32-0097	4	53	Locknut	30-0161	4	94	Bolt	27-9550	1
18	Tag- Battery	34-0096	1	54	Washer	28-0030	8	95	Fuel Tank Assembly (Inc. 96-97)	851-0319	1
19	Decal- Caution: Disconnect Battery (See 34-9017)	N/A Sep.	1	55	Pump Bracket	5-0101A01	1	96	Decal- Caution: Gas Only (See 34-9017)	N/A Sep.	1
20	Battery	32-0058	1	56	Washer w/Pump	29-0055	4	97	Fuel Tank (See 851-0319)	N/A Sep.	1
21	Bolt (CWC-5004-0MGH)	27-0071	4	57	Bolt w/Pump	27-8471	4	98	Fuel Cap w/Gauge	12-0061	1
22	Shim	33-0169	4	58	Bolt	27-0118	2	99	Fuel Pick-up	33-0271	1
23	Fuel Line *(Four Feet Required)	15-0031	1	59	Brace Tightner	13-0003A01	1	100	Quick Connect Plug	17-0038	1
-	Fuel Line *(Three Feet Required)	15-0031	1	60	Bolt	27-0167	4	101	Quick Connect Socket	17-0018	1
24	Hose Clamp	42-0004	2	61	Locknut	30-0159	2	102	Washer	28-0022	4
25	Motor Assembly (CWC-5004-0MGH)	851-0307	1	62	Washer	28-0023	3	103	Bolt	27-9524	4
-	Motor Assembly (CWC-5004-0MGV)	851-0318	1	63	Bolt	27-0576	1	104	Pressure Hose Assembly (Inc. 105-107)	851-0317	1
26	Key	43-0078	1	64	Branch "T"	23-0235	1	105	Quick Connect Plug	17-0006	1
27	Beltguard Back Assembly (Inc. 28-31)	851-0310	1	65	Thermal Relief Valve	22-0005	1	106	Pressure Hose	15-0178	1
28	Decal- Warning/Caution (See 34-9017)	N/A Sep.	1	66	Elbow	24-0092	1	107	Quick Connect Socket	17-0041	1
29	Beltguard Back (See 851-0310)	N/A Sep.	1	67	Hose *(Three Feet Required)	15-0007	1	108	Gun/Lance Assembly (Inc. 109-114)	851-0309	1
30	Edging *(Two Feet Required)	33-0020	1	68	Clamp	42-0011	2	109	Quick Connect Plug	17-0005	1
31	Decal- Warning: Beltguard (See 34-9017)	N/A Sep.	1	69	Hose Barb	23-0120	1	110	Gun	16-0343	1
32	Sheave	10-0043	1	70	Inlet Filter	19-0207	1	111	Grip Handle	7-0002	1
33	Belt	11-0053	2	71	Tag- Water Inlet Supply	34-0097	1	112	Lance	16-0342A01	1
34	Bushing	9-0005	1	72	Bolt	27-0074	2	113	Decal- Warning: Risk of Injection (See 34-9017)	N/A Sep.	1
35	Bolt	27-0015	4	73	Manifold Block	51-0020	1	114	Quick Connect	17-0036	1
36	Beltguard Cover Assembly (Inc. 37-43)	851-0348	1	74	Quick Connect Socket	17-0042	1	115	O-ring (Replacement Only)	25-0122	-
37	Edging *(Four Feet Required)	33-0020	1	75	O-ring (Replacement Only)	25-0123	-		Safety Decal Kit (Inc. 19, 28, 31, 39, 41, 96, 113)	34-9017	

\*Must Order in One Foot Lengths

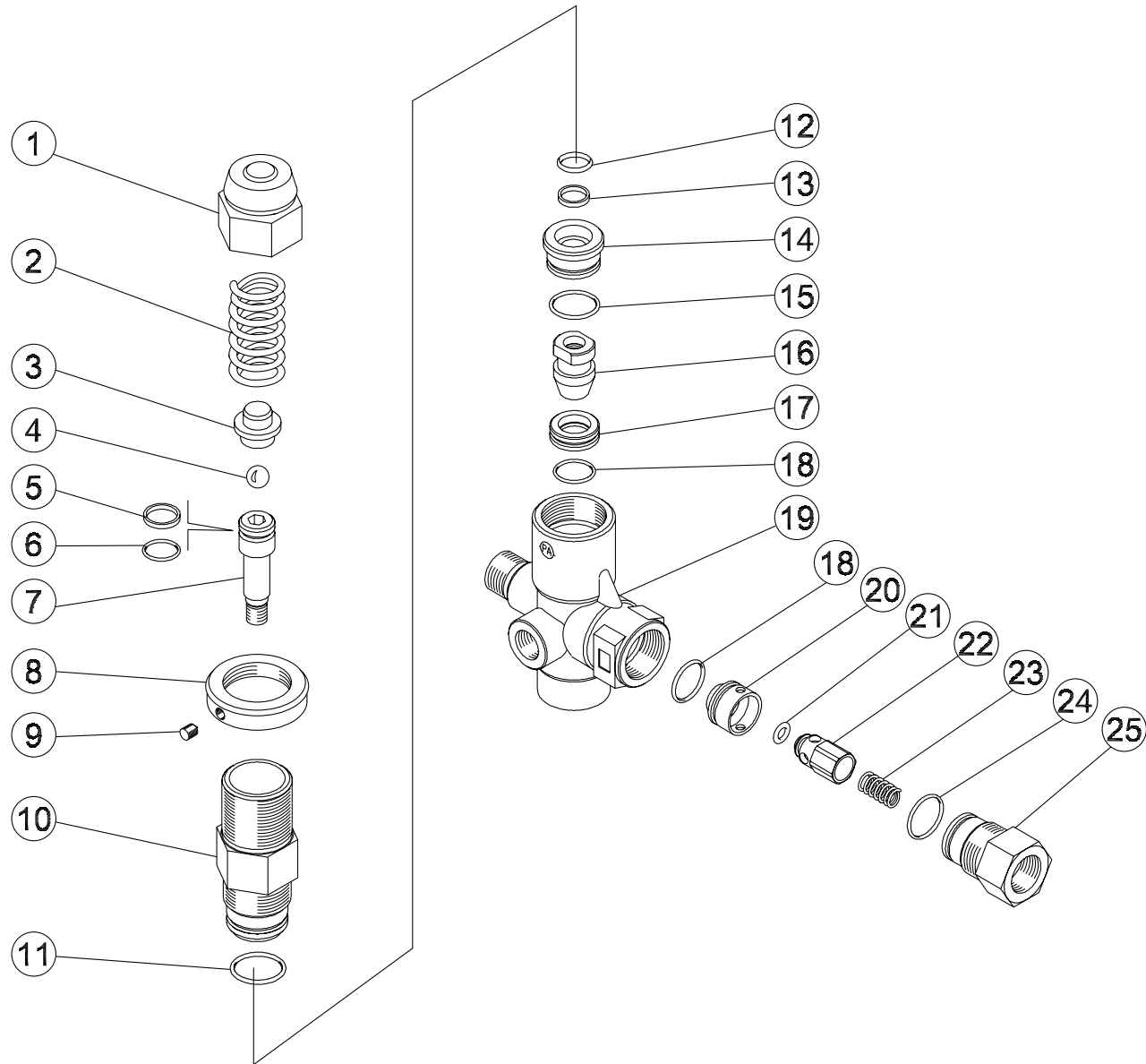
# PUMP ASSEMBLY (3-0169)



3-0169-013105-GJH

PUMP ASSEMBLY (3-0169)											
REF. #	DESCRIPTION	PART #	QTY.	REF. #	DESCRIPTION	PART #	QTY.	REF. #	DESCRIPTION	PART #	QTY.
1	Plug	39-0018	1	24	High Pressure Head Ring (See 70-0211)	N/A Sep.	3	47	Bolt	27-8435	6
2	Washer	28-0600	1	25	High Pressure V-Packing (See 70-0211)	N/A Sep.	3	48	O-ring	25-0339	1
3	Plug	39-0019	1	26	V-Packing Support (See 70-0211)	N/A Sep.	3	49	Crankcase Cover	46-0295	1
4	Washer	28-0601	1	27	High Pressure Intermediate Seal Retainer (See 70-0211)	N/A Sep.	3	50	Bolt	27-8404	5
5	Manifold	46-0770	1	28	Low Pressure Seal (See 70-0211)	N/A Sep.	3	51	Oil Level Indicator	46-0114	1
6	Washer	28-0210	8	29	Low Pressure Seal Retainer	46-0891	3	52	Plug	39-0017	1
7	Bolt	27-8239	8	30	O-ring	25-0015	3	53	O-ring	25-0014	1
8	O-ring (See 70-0212)	N/A Sep.	8	31	Oil Seal (See 70-0208)	N/A Sep.	3	54	Connecting Rod Pin	43-0032	3
9	Spacer	46-0771	3	32	Bushing	9-0029	3	55	Retaining Ring	46-0103	6
10	Valve Assembly (Inc. 8, 11-14) (See 70-0212)	N/A Sep.	6	33	Bolt	27-8431	8	56	Crankshaft	46-0776	1
11	Valve Seat (See 70-0212)	N/A Sep.	6	34	Crankcase Cover- Closed	46-0336	1	57	Key	43-0048	1
12	Valve Plate (See 70-0212)	N/A Sep.	6	35	O-ring	25-0013	2	58	Oil Seal (See 70-0209)	N/A Sep.	1
13	Valve Spring (See 70-0212)	N/A Sep.	6	36	Bearing	48-0012	2	59	Shim	46-0113	1
14	Valve Cage (See 70-0212)	N/A Sep.	6	37	Crankcase	46-0292	1	60	Crankcase Cover- Open	46-0296	1
15	Back-up Ring	25-0430	3	38	Oil Dip Stick	46-0144	1	61	Lockwasher	29-0055	4
16	O-ring	25-0160	3	39	Piston Screw	46-0285	3	62	Bolt	27-8471	4
17	Guide	46-0772	3	40	Plunger	46-0337	3		Valve Assembly (6 each 10)	70-0212	
18	O-ring	25-0151	3	41	O-ring	25-0138	3		Head Ring Kit (3 each 24)	70-0031	
19	Back-up Ring	25-0431	3	42	Back-up Ring	25-0137	3		V-Packing Kit (3 each 25, 26, 28)	70-0042	
20	Cap	46-0773	3	43	Washer	46-0283	3		Oil Seal Kit (3 each 31)	70-0208	
21	Valve Cover Plate	46-0774	1	44	Piston Rod	46-0294	3		Oil Seal Kit (2 each 58)	70-0209	
22	Lockwasher	29-0156	6	45	Connecting Rod	46-0051	3		Intermediate Retainer (Inc. 24-30)	70-0210	
23	Bolt	27-8492	6	46	Lockwasher	29-0154	6		Packing Assembly (Inc. 24-30)	70-0211	

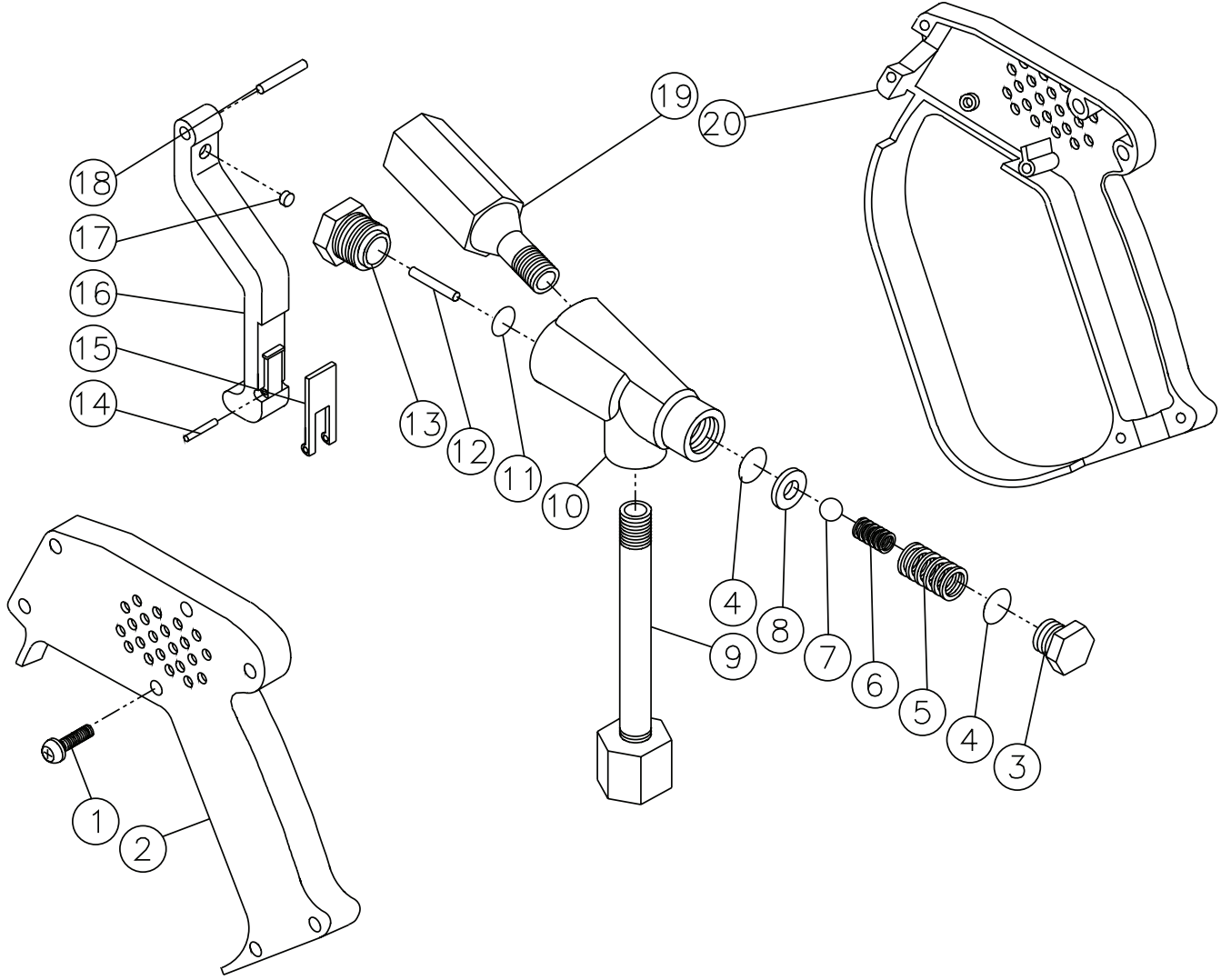
# UNLOADER ASSEMBLY (8-0522)



8-0522-120501-RD

UNLOADER ASSEMBLY (8-0522)							
REF. #	DESCRIPTION	PART #	QTY.	REF. #	DESCRIPTION	PART #	QTY.
1	Brass Cap	8-0534	1	15	O-ring	25-0368	1
2	Spring	49-0149	1	16	Shutter	8-0540	1
3	Spring Guide	8-0535	1	17	Seat	8-0541	1
4	Ball	8-0318	1	18	O-ring	25-0220	2
5	Back-up Ring (See 70-0342)	N/A Sep.	1	19	Valve Body	8-0542	1
6	O-ring (See 70-0342)	N/A Sep.	1	20	Check Valve Seat	8-0543	1
7	Piston	8-0536	1	21	O-ring	25-0369	1
8	Lock Ring	8-0537	1	22	Check Valve	8-0486	1
9	Set Screw	8-0408	1	23	Spring	49-0150	1
10	Piston Housing	8-0538	1	24	O-ring	25-0325	1
11	O-ring	25-0189	1	25	Nipple	8-0485	1
12	Back-up Ring (See 70-0343)	N/A Sep.	1		Upper Seal Kit (Inc. 5, 6)	70-0342	1
13	O-ring (See 70-0343)	N/A Sep.	1		Lower Seal Kit (Inc. 12, 13)	70-0343	1
14	Spacer	8-0539	1				

GUN ASSEMBLY (16-0343)

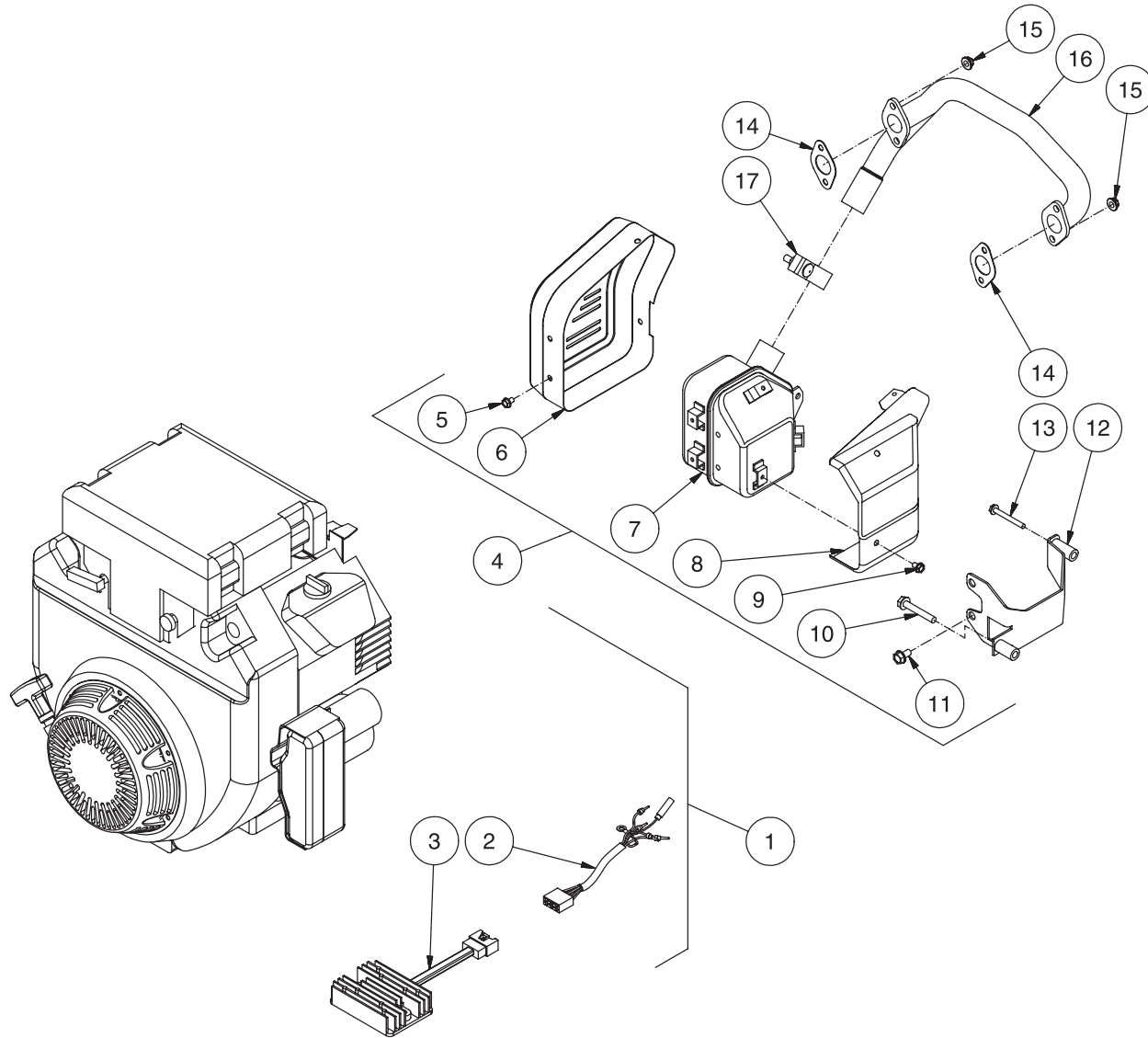


16-0343-042800-RD

## GUN ASSEMBLY (16-0343)

REF. #	DESCRIPTION	PART #	QTY.	REF. #	DESCRIPTION	PART #	QTY.
1	Screw	27-8851	7	12	Control Pin (See 70-0213)	N/A Sep.	1
2	Housing- Left Side	16-0344	1	13	Guide Sleeve	16-0048	1
3	Cap	23-0336	1	14	Lock Pin	43-0025	1
4	O-ring (See 70-0213)	N/A Sep.	2	15	Safety Lock	16-0347	1
5	Spring (See 70-0213)	N/A Sep.	1	16	Trigger	16-0348	1
6	Valve Spring (See 70-0213)	N/A Sep.	1	17	Cam Trigger (See 70-0213)	N/A Sep.	1
7	Valve Ball (See 70-0213)	N/A Sep.	1	18	Pin	43-0024	1
8	Valve Seat (See 70-0213)	N/A Sep.	1	19	Discharge Tube Assembly	16-0349	1
9	Inlet Tube Assembly	16-0345	1	20	Housing- Right Side	16-0350	1
10	Valve Body	16-0346	1		Repair Kit (Inc. 4-8, 11, 12, 17)	70-0213	
11	O-ring (See 70-0213)	N/A Sep.	1				

# HONDA ENGINE ASSEMBLY (851-0307)

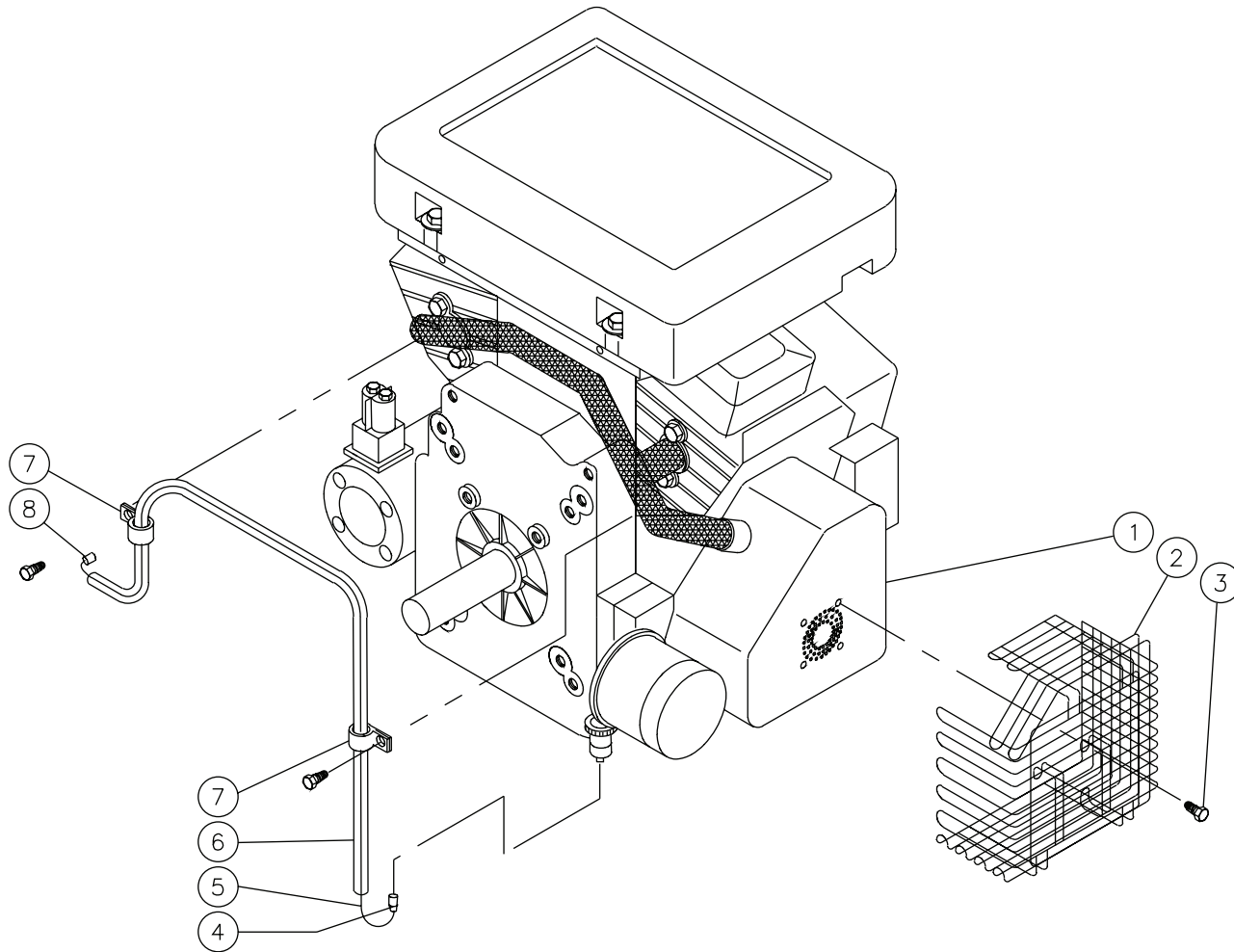


851-0307-080505-JJT



<b>HONDA ENGINE ASSEMBLY (851-0307)</b>			
<b>REF. #</b>	<b>DESCRIPTION</b>	<b>PART #</b>	<b>QTY.</b>
1	Engine-20 HP (Inc. 2, 3, 14, 15)	1-0102	1
2	Wire Harness (See 1-0102)	N/A Sep.	1
3	Voltage Rectifier Assembly (See 1-0102)	N/A Sep.	1
4	Muffler Assembly (Inc. 5-13, 16, 17)	45-0078	1
5	Screw (See 45-0078)	N/A Sep.	4
6	Outer Muffler Protector (See 45-0078)	N/A Sep.	1
7	Side Mount Muffler (See 45-0078)	N/A Sep.	1
8	Inner Muffler Protector (See 45-0078)	N/A Sep.	1
9	Flange Bolt (See 45-0078)	N/A Sep.	3
10	Flange Bolt (See 45-0078)	N/A Sep.	1
11	Flange Bolt (See 45-0078)	N/A Sep.	2
12	Muffler Stay (See 45-0078)	N/A Sep.	1
13	Flange Bolt (See 45-0078)	N/A Sep.	1
14	Exhaust Gasket (See 1-0102)	N/A Sep.	2
15	Flange Nut (See 1-0102)	N/A Sep.	4
16	Exhaust Pipe - Oil Filter Side (See 45-0078)	N/A Sep.	1
17	Exhaust Pipe Band (See 45-0078)	N/A Sep.	1

# VANGUARD ENGINE ASSEMBLY (851-0318)



851-03 18-05 1099-DCE

851-0318-051099-DCE

<b>VANGUARD ENGINE ASSEMBLY (851-0318)</b>			
<b>REF. #</b>	<b>DESCRIPTION</b>	<b>PART #</b>	<b>QTY.</b>
1	Engine-20.0 HP Vanguard	N/A Sep.	1
2	Muffler Guard	6-0065	1
3	Screw	27-3062	4
4	Terminal	32-0221	1
5	Wire *(Three Feet Required)	32-0092	1
6	Hose *(Two Feet Required)	15-0021	1
7	Clip	43-0003	2
8	Terminal Ring	32-0099	1

