



Performance Under Pressure

PARTS LIST FOR
CV-2400-4MBC
CV-2400-4MHC

Briggs & Stratton/Honda:

Engine Oil Grade:	Above 40°F=SAE 30 Below 40°F=SAE10W-30
Engine Oil Capacity:	20 oz.
Pump Oil Grade:	75W90 Synthetic
Pump Oil Capacity:	3.5 oz.
Nozzle Size:	1.15 mm

This Parts Listing has been compiled for your benefit. You can be assured your Mi-T-M Cold Water Pressure Washer was constructed and designed with quality and performance in mind using over 25 years experience in the pressure washer business. Each component has been rigorously tested to insure the highest level of acceptance.

The contents of this Parts Listing are based on the latest product information available at the time of publication. Mi-T-M reserves the right to make changes in price, color, materials, equipment, specifications or models at any time without notice.

WARNING

THIS IS A PROFESSIONAL HIGH PRESSURE, COLD WATER PRESSURE WASHER. CAUTION SHOULD BE OBSERVED WHEN USING OR REPAIRING THIS UNIT! READ AND FOLLOW THE SAFETY WARNINGS LISTED BELOW BEFORE ATTEMPTING ANY REPAIRS ON THIS PRESSURE WASHER!

SAFETY WARNINGS

1. NEVER alter or modify the equipment. Be sure any accessory items and system components being used will withstand the pressure developed. Use only genuine Mi-T-M parts for repair of your pressure washer. Failure to do so can cause hazardous operating conditions and will VOID warranty.
2. NEVER make adjustments on machinery while the unit is connected to the power source. Turning over the machinery by hand during adjustment or cleaning might start the machinery, causing serious injury to the operator.
3. Know how to stop and bleed pressures quickly. Be thoroughly familiar with controls.
4. Before servicing the unit, turn unit off, relieve the water pressure and allow the unit to cool down. Do not make repairs while the unit is running. Service in a clean, dry, flat area.
5. After testing the machine, DO NOT leave the pressurized unit unattended. Shut off the unit and release trapped pressure before leaving.

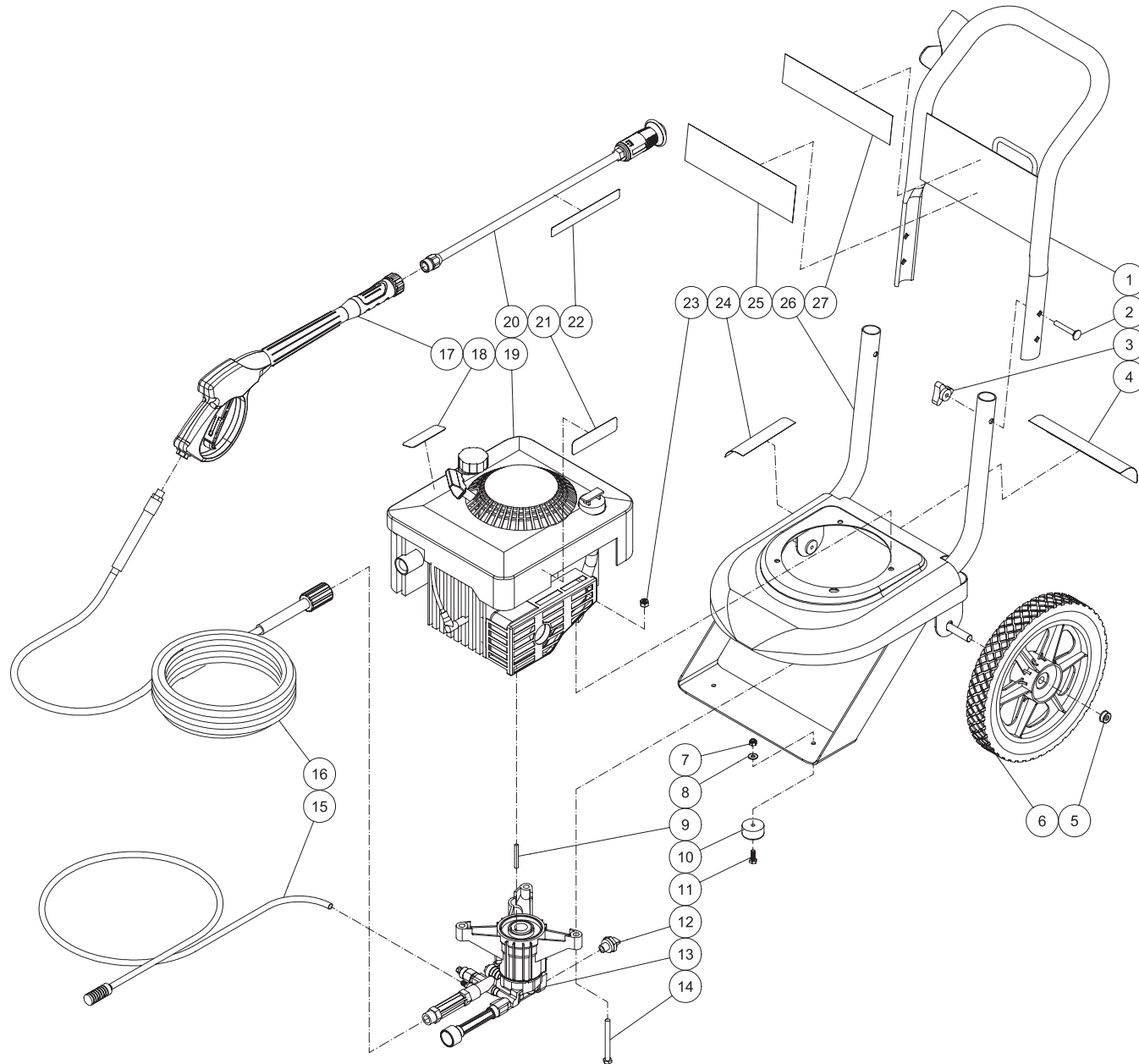
Table of Contents

SPECIFICATIONS.....	3
FRAME ASSEMBLY FOR CV-2400-4MBC	4
FRAME ASSEMBLY FOR CV-2400-4MHC	6
PUMP ASSEMBLY (3-0290)	8

SPECIFICATIONS

MODEL NUMBER	CV-2400-4MBC	CV-2400-4MHC
Operating Pressure (PSI/Bar):	2400/165	
High Pressure Nozzle:	1.15 mm	
Water Volume (GPM/lpm):	2.0/7.6	
Engine:	Briggs & Stratton	Honda
Horsepower	6.75	5.5
Engine Type	4 Stroke, Overhead Valve, Single Cylinder	4 Stroke, Overhead Cam, Single Cylinder
Oil Type	Above 40°F = SAE30 / Below 40°F = SAE10W-30	
Oil Capacity (oz./liters)	20/6	
Fuel Type	Unleaded Gasoline 86 Octane Minimum	
Fuel Capacity (gallon/ liters)	.38/1.42	
Starting	Recoil	
Maximum No Load RPM	3600 (+/- 100) RPM	
Pump:	Direct Driven, Oil Bath, Triplex Axial Piston	
Oil Type	75W90 Synthetic	
Oil Capacity (oz./liters)	3.5/0.1	
Plungers	Stainless Steel	
Manifold	Aluminum	
Valves	Plastic	
Unloader	Preset	
Detergent Injector	Low pressure down stream from pump	
Unit Net Weight (lbs/Kg)	54/24.5	
Unit Shipping Weight (lbs/Kg)	64/29.5	65/29.5
Unit Net Dimension (in/cm)	26Lx18Wx38H/ 66Lx45.7Wx96.5H	
Unit Shipping Dimension (in/cm)	23.5Lx18.5Wx23H/ 59.7Lx47Wx58.5H	

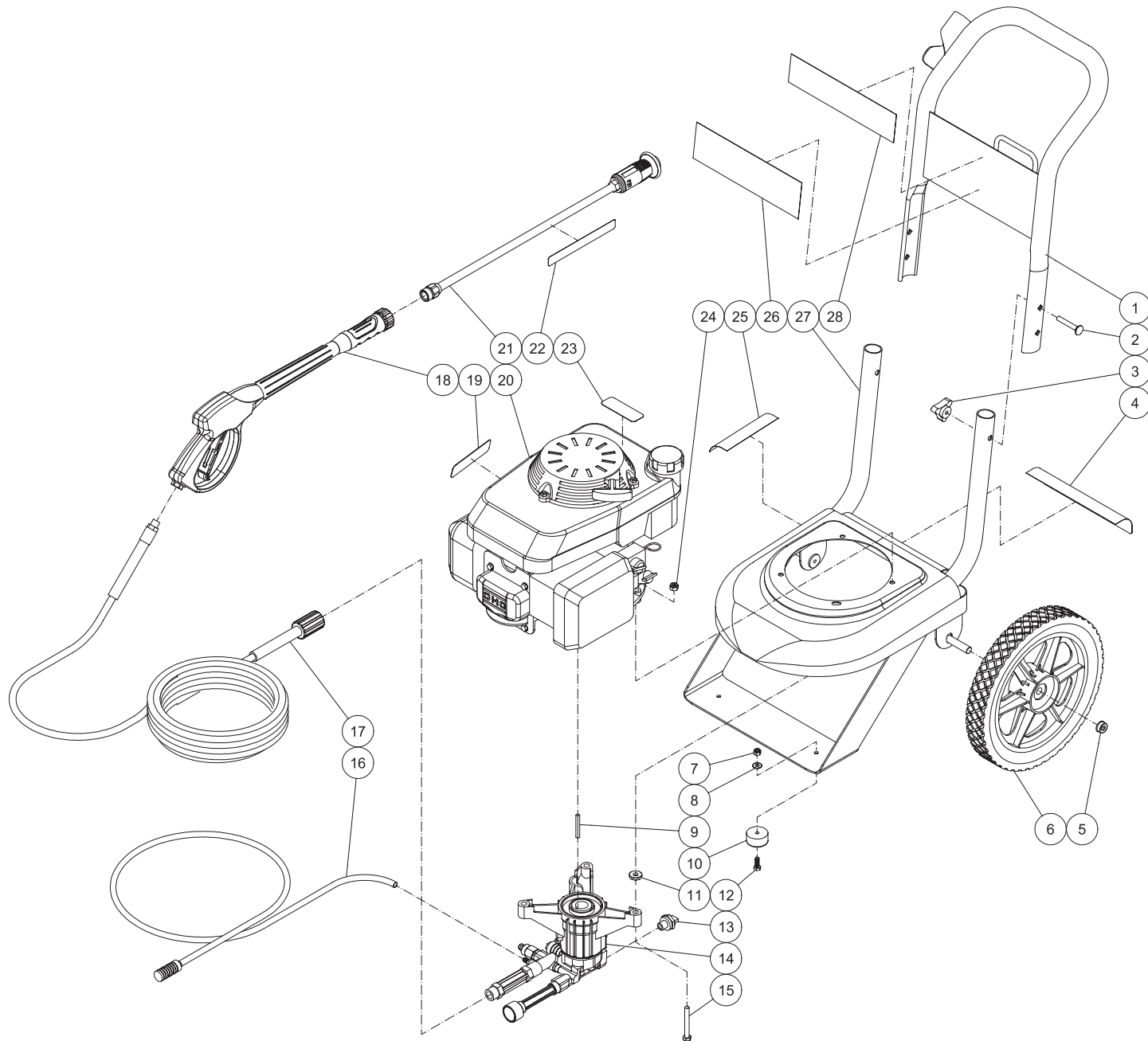
FRAME ASSEMBLY FOR CV-2400-4MBC



CV-2400-4MBC-011007-JJT

FRAME ASSEMBLY FOR CV-2400-4MBC							
REF. #	DESCRIPTION	PART #	QTY.	REF. #	DESCRIPTION	PART #	QTY.
1	Handle	7-0203A01	1	15	Detergent Hose w/ Strainer	19-0233	1
2	Bolt	31-0051	2	16	Pressure Hose	15-0239	1
3	Knob	7-0107	2	17	Gun/Wand	16-0442	1
4	Decal- Warn/Caution/Oper. (See 34-9042)	N/A Sep.	1	18	Decal- Warning: Muffler Hot (See 34-9042)	N/A Sep.	1
5	Hub Cap	33-0055	2	19	Engine- 6.75 HP Briggs & Stratton	1-0078	1
6	Wheel	14-0111	2	20	Lance	16-0443	1
7	Locknut	30-0155	2	21	Decal- Caution: Allow to Cool (See 34-9042)	N/A Sep.	1
8	Washer	28-0002	2	22	Decal- Warning: Risk of Injection (See 34-9042)	N/A Sep.	1
9	Key	43-0082	1	23	Locknut	30-0157	3
10	Isolator	14-0069	2	24	Decal- Data Plate	N/A	1
11	Bolt	27-0015	2	25	Decal- Warning/Caution/Operation (See 34-9042)	N/A Sep.	1
12	Thermal Relief Valve	22-0208	1	26	CV Base Assy	5-0270A53	1
13	Pump	3-0290	1	27	Decal- Mi-T-M Logo	34-1899	1
14	Bolt	27-0076	3		Safety Decal Kit (Inc. 4, 18, 21-22, 25)	34-9042	

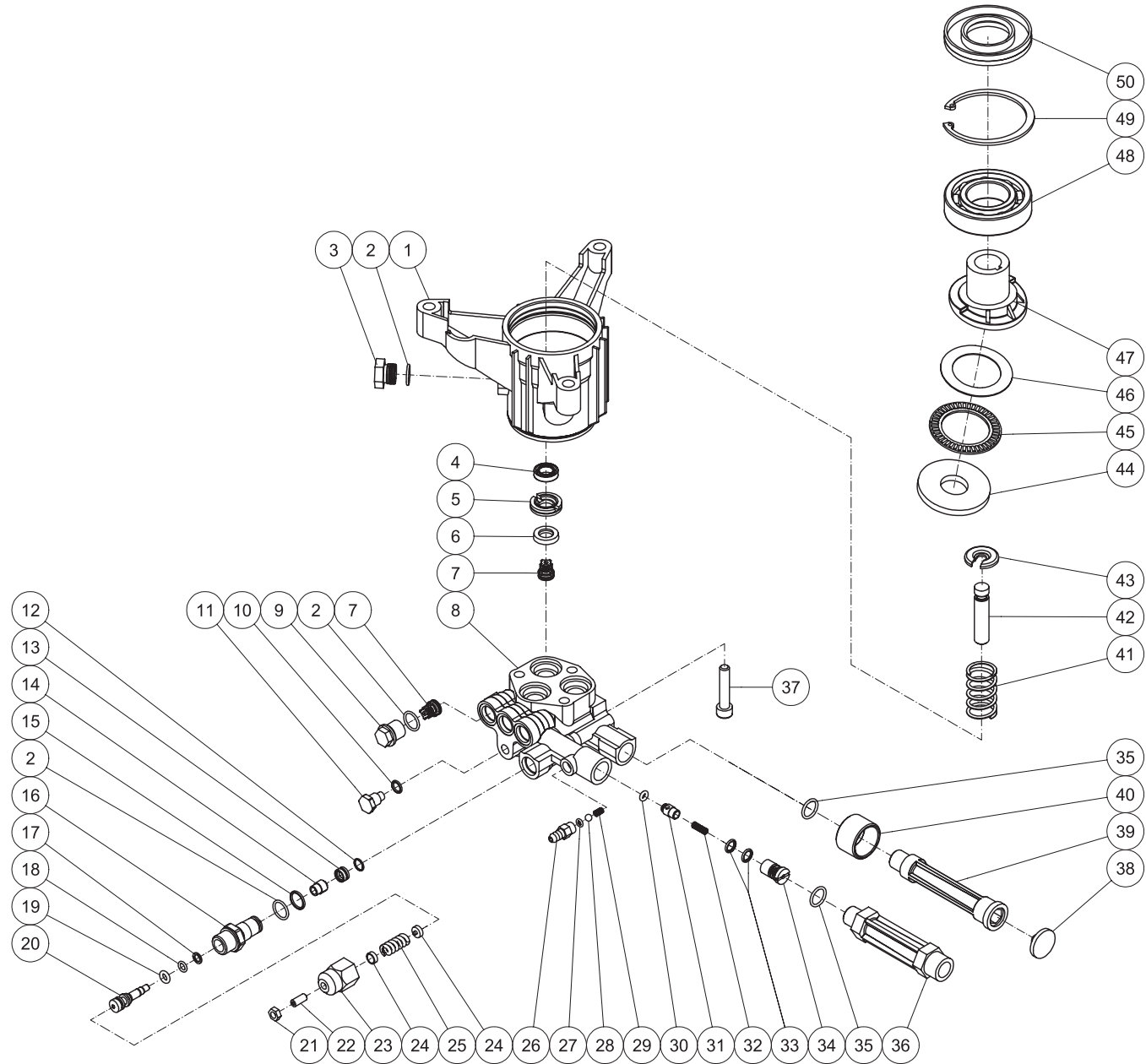
FRAME ASSEMBLY FOR CV-2400-4MHC



CV-2400-4MHC-011007-JJT

FRAME ASSEMBLY FOR CV-2400-4MHC								
REF. #	DESCRIPTION	PART #	QTY.		REF. #	DESCRIPTION	PART #	QTY.
1	Handle	7-0203A01	1		16	Detergent Hose w/ Strainer	19-0233	1
2	Bolt	31-0051	2		17	Pressure Hose	15-0239	1
3	Knob	7-0107	2		18	Gun/Wand	16-0442	1
4	Decal- Warn/Caution/Oper. (See 34-9042)	N/A Sep.	1		19	Decal- Warning: Muffler Hot (See 34-9042)	N/A Sep.	1
5	Hub Cap	33-0055	2		20	Engine- 5.5 HP Honda	1-0131	1
6	Wheel	14-0111	2		21	Lance	16-0443	1
7	Locknut	30-0155	2		22	Decal- Warning: Risk of Injection (See 34-9042)	N/A Sep.	1
8	Washer	28-0002	2		23	Decal- Caution: Allow to Cool (See 34-9042)	N/A Sep.	1
9	Key	43-0082	1		24	Locknut	30-0157	3
10	Isolator	14-0069	2		25	Decal- Data Plate	N/A	1
11	Engine Spacer	33-0428	3		26	Decal- Warning/Caution/Operation (See 34-9042)	N/A Sep.	1
12	Bolt	27-0015	2		27	CV Base Assy	5-0270A53	1
13	Thermal Relief Valve	22-0208	1		28	Decal- Mi-T-M Logo	34-1899	1
14	Pump	3-0290	1			Safety Decal Kit (Inc. 4, 19, 22-23, 26)	34-9042	
15	Bolt	27-0073	3					

PUMP ASSEMBLY (3-0290)



3-0290-111506-JJT

PUMP ASSEMBLY (3-0290)											
REF. #	DESCRIPTION	PART #	QTY.	REF. #	DESCRIPTION	PART #	QTY.	REF. #	DESCRIPTION	PART #	QTY.
1	Pump Housing	-	1	20	Unloader Piston	8-0565	1	39	Inlet Extension	46-1179	1
2	O-ring	25-0325	5	21	Nut	30-6024	1	40	Garden Hose Fitting	46-1178	1
3	Plug	39-0203	1	22	Set Screw	27-9587	1	41	Spring	49-0160	3
4	Piston Oil Seal	-	3	23	Adjustment Barrel	8-0564	1	42	Piston	-	3
5	Packing Retainer	46-1177	3	24	Spring Button	8-0501	2	43	Spring Retainer	46-1183	3
6	High Pressure Seal	-	3	25	Unloader Spring	49-0157	1	44	Thrust Washer	46-0876	1
7	Valve Complete	-	6	26	Hose Barb	56-0869	1	45	Bearing	48-0057	1
8	Pump Head	46-1258	1	27	O-ring	25-0371	1	46	Thrust Washer	48-0056	1
9	Valve Cap	39-0218	3	28	Ball	8-0521	1	47	Wobble Plate Shaft	46-1184	1
10	O-ring	25-0382	1	29	Spring	8-0520	1	48	Ball Bearing	48-0014	1
11	Grub Screw	27-9599	1	30	O-ring	25-0406	1	49	Snap Ring	46-1185	1
12	O-ring	25-0500	1	31	Non-Return Valve	46-1180	1	50	Oil Seal	26-0290	1
13	Unloader Seat	8-0570	1	32	Spring I.D	49-0159	1		Unloader (Inc. 1, 1, 2, 1 each 2, 12-22, 24, 25)	70-0446	
14	Unloader Poppett	8-0569	1	33	O-ring	25-0403	2		Valves (Inc. 6 each 7)	70-0409	
15	O-ring	25-0387	1	34	Detergent Injector	46-1181	1		Pistons (Inc. 3 each 42)	70-0410	
16	Piston Guide	8-0566	1	35	O-ring	25-0536	2		Water Seals (Inc. 3 each 6)	70-0464	
17	Back-up Ring	25-0589	1	36	Outlet Extension	46-1182	1		Oil Seals (Inc. 3, 1 each 4, 50)	70-0412	
18	O-ring	-	1	37	Bolt	27-9590	3		O-ring (Inc. 5, 1, 1, 1, 1, 1, 1, 2, 2 each 2, 12, 15, 18, 19, 27, 30, 33, 35)	70-0413	
19	O-ring	25-0526	1	38	Inlet Filter	19-0001	1				

Manufactured by Mi-T-M
8650 Enterprise Drive, Peosta IA 52068
563-556-7484/ Fax 563-556-1235