

The **Chore Master**[®] by Mi-T-M[®]

PARTS LIST FOR CV-2300-0MBC

Engine Oil Grade:	Above 40°F=SAE 30 Below 40°F=SAE10W-30
Engine Oil Capacity:	20 oz.
Pump Oil Grade:	75W90 Synthetic
Pump Oil Capacity:	2.3 oz.
Nozzle Size:	1.15 mm

This Parts Listing has been compiled for your benefit. You can be assured your Mi-T-M Cold Water Pressure Washer was constructed and designed with quality and performance in mind using over 25 years experience in the pressure washer business. Each component has been rigorously tested to insure the highest level of acceptance.

The contents of this Parts Listing are based on the latest product information available at the time of publication. Mi-T-M reserves the right to make changes in price, color, materials, equipment, specifications or models at any time without notice.

WARNING

THIS IS A PROFESSIONAL HIGH PRESSURE, COLD WATER PRESSURE WASHER. CAUTION SHOULD BE OBSERVED WHEN USING OR REPAIRING THIS UNIT! READ AND FOLLOW THE SAFETY WARNINGS LISTED BELOW BEFORE ATTEMPTING ANY REPAIRS ON THIS PRESSURE WASHER!

SAFETY WARNINGS

1. NEVER alter or modify the equipment. Be sure any accessory items and system components being used will withstand the pressure developed. Use only genuine Mi-T-M parts for repair of your pressure washer. Failure to do so can cause hazardous operating conditions and will VOID warranty.
2. NEVER make adjustments on machinery while the unit is connected to the power source. Turning over the machinery by hand during adjustment or cleaning might start the machinery, causing serious injury to the operator.
3. Know how to stop and bleed pressures quickly. Be thoroughly familiar with controls.
4. Before servicing the unit, turn unit off, relieve the water pressure and allow the unit to cool down. Do not make repairs while the unit is running. Service in a clean, dry, flat area.
5. After testing the machine, DO NOT leave the pressurized unit unattended. Shut off the unit and release trapped pressure before leaving.

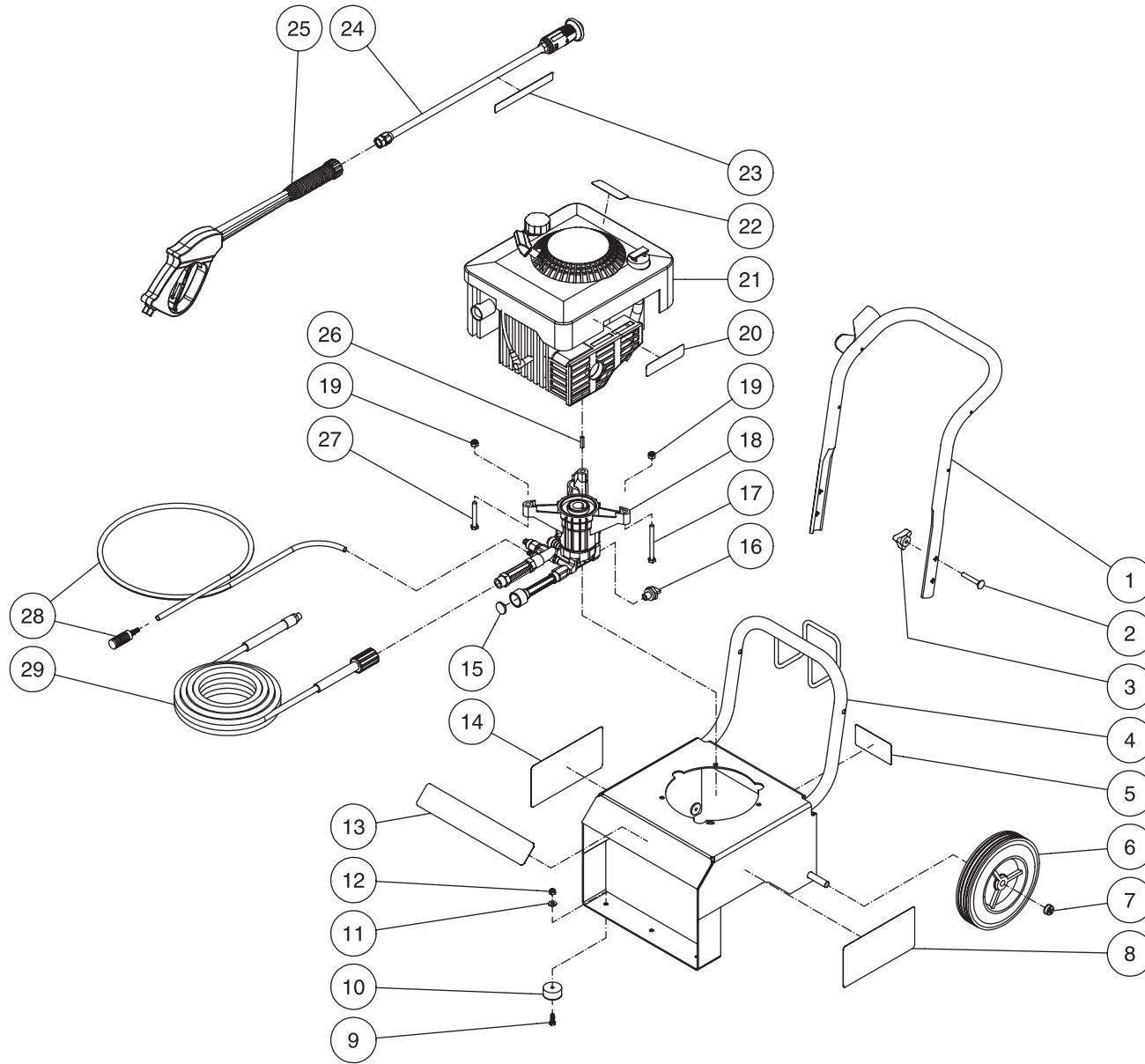
Table of Contents

SPECIFICATIONS.....	3
FRAME ASSEMBLY FOR CV-2300-0MBC	4
PUMP ASSEMBLY (3-0271)	6
GUN/ WAND ASSEMBLY (16-0365)	8
LANCE ASSEMBLY (16-0381)	10

SPECIFICATIONS

MODEL NUMBER	CV-2300-0MBC
Operating Pressure (PSI/Bar):	2300/158.6
High Pressure Nozzle:	1.15 mm
Water Volume (GPM/lpm):	2.0/7.6
Engine:	Briggs & Stratton
Horsepower	6.75
Engine Type	4 Stroke, Overhead Valve, Single Cylinder
Oil Type	Above 40°F = SAE30 / Below 40°F = SAE10W-30
Oil Capacity (oz./liters)	20/.6
Fuel Type	Unleaded Gasoline 86 Octane Minimum
Fuel Capacity (gallon/ liters)	.38/1.42
Starting	Recoil
Maximum No Load RPM	3600 (+/- 100) RPM
Pump:	Direct Driven, Oil Bath, Triplex Axial Piston
Oil Type	75W90 Synthetic
Oil Capacity (oz./liters)	2.3/0.7
Plungers	Stainless Steel
Manifold	Brass
Valves	Plastic
Unloader	Preset
Detergent Injector	Low pressure down stream from pump
Unit Net Weight (lbs/Kg)	62/28
Unit Shipping Weight (lbs/Kg)	74/33.5
Unit Net Dimension (in/cm)	21Lx17Wx20H/ 53Lx43Wx50.5H
Unit Shipping Dimension (in/cm)	25Lx17.5Wx24H/ 63.5Lx44.5Wx61H

FRAME ASSEMBLY FOR CV-2300-0MBC

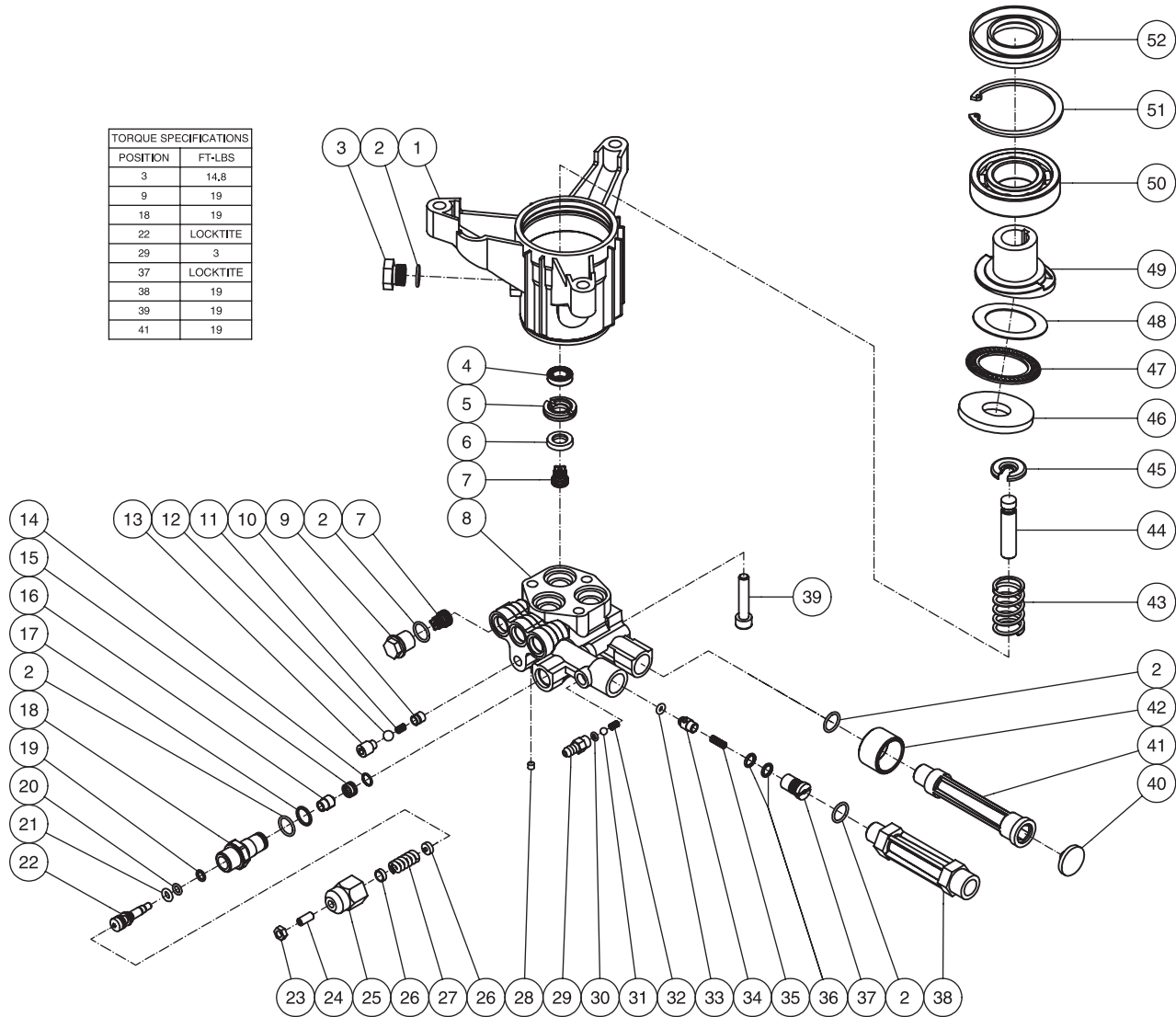


CV-2300-0MBC-121604-JJF

FRAME ASSEMBLY FOR CV-2300-0MBC							
REF. #	DESCRIPTION	PART #	QTY.	REF. #	DESCRIPTION	PART #	QTY.
1	Handle	7-0165A01	1	16	Thermal Relief Valve	22-0208	1
2	Bolt	31-0051	2	17	Bolt	27-0076	1
3	Knob	7-0107	2	18	Pump	3-0271	1
4	Frame Assembly	5-0168A01	1	19	Locknut	30-0157	3
5	Decal- Data Plate	N/A	1	20	Decal- Warning: Muffler Hot (See 34-9023)	N/A Sep.	1
6	Wheel	14-0077	2	21	Engine- 6.75 HP Briggs & Stratton	1-0078	1
7	Hub Cap	33-0055	2	22	Decal- Caution: Allow to Cool (See 34-9023)	N/A Sep.	1
8	Decal- Warn/Caution/Oper. (See 34-9023)	N/A Sep.	1	23	Decal- Warning: Risk of Injection (See 34-9023)	N/A Sep.	1
9	Bolt	27-0015	2	24	Lance	16-0381	1
10	Isolator	14-0069	2	25	Gun	16-0365	1
11	Washer	28-0002	2	26	Key	43-0082	1
12	Locknut	30-0155	2	27	Bolt	27-0072	2
13	Decal- Choremaster Logo	34-1642	1	28	Detergent Hose w/ Strainer	19-0233	1
14	Decal- Warning/Caution/Operation (See 34-9023)	N/A Sep.	1	29	Pressure Hose	15-0239	1
15	Filter	19-0001	1		Safety Decal Kit (Inc. 8, 14, 20, 22-23)	34-9023	

PUMP ASSEMBLY (3-0271)

TORQUE SPECIFICATIONS	
POSITION	FT-LBS
3	14,8
9	19
18	19
22	LOCKTITE
29	3
37	LOCKTITE
38	19
39	19
41	19



3-0271-052606-JJT

PUMP ASSEMBLY (3-0271)

REF. #	DESCRIPTION	PART #	QTY.	REF. #	DESCRIPTION	PART #	QTY.	REF. #	DESCRIPTION	PART #	QTY.
1	Pump Housing	N/A	1	21	O-ring	25-0526	1	41	Inlet Extension	46-1179	1
2	O-ring	25-0325	7	22	Unloader Piston	8-0565	1	42	Garden Hose Fitting	46-1178	1
3	Plug	39-0203	1	23	Nut	30-6024	1	43	Spring	49-0160	3
4	Piston Oil Seal (See 70-0411)	N/A Sep.	3	24	Set Screw	27-9587	1	44	Piston (See 70-0410)	N/A Sep.	3
5	Packing Retainer	46-1177	3	25	Adjustment Barrel	8-0564	1	45	Spring Retainer	46-1183	3
6	High Pressure Seal (See 70-0412)	N/A Sep.	3	26	Spring Button	8-0501	2	46	Washer	46-0876	1
7	Valve Complete (See 70-0409)	N/A Sep.	6	27	Unloader Spring	49-0157	1	47	Bearing	48-0057	1
8	Pump Head	N/A	1	28	Set Screw	27-9588	1	48	Washer	48-0056	1
9	Valve Cap	39-0218	3	29	Hose Barb	46-0869	1	49	Wobble Plate Shaft	46-1184	1
10	Easy Start Seat	8-0568	1	30	O-ring	25-0371	1	50	Ball Bearing	48-0014	1
11	Spring	49-0158	1	31	Stainless Steel Ball	8-0521	1	51	Snap Ring	46-1185	1
12	Easy Start Ball	8-0567	1	32	Compression Spring	8-0520	1	52	Oil Seal	26-0290	1
13	Set Screw	27-9589	1	33	O-ring	25-0406	1		Injector Repair Kit (Inc. 30-32)	70-0293	
14	O-ring	25-0500	1	34	Non-Return Valve	46-1180	1		Valve Kit (Inc. 6 each 7)	70-0409	
15	Unloader Seat	8-0570	1	35	Spring	49-0159	1		Piston Kit (Inc. 3 each 44)	70-0410	
16	Unloader Poppet	8-0569	1	36	O-ring	25-0403	2		Piston Oil Seals Kit (Inc. 3 each 4)	70-0411	
17	O-ring	25-0387	1	37	Detergent Injector	46-1181	1		High Pressure Seals Kit (Inc. 3 each 6)	70-0412	
18	Piston Guide	8-0566	1	38	Outlet Extension	46-1182	1		O-ring Kit (Inc. 2, 14, 17, 20, 21, 30, 33, 36)	70-0413	
19	Back-up Ring	25-0589	1	39	Bolt	27-9590	3		Unloader Complete Kit (Inc. 2, 14-27)	70-0446	
20	O-ring (See 70-0413 or 70-0446)	N/A Sep.	1	40	Inlet Filter	19-0001	1				