



***Performance Under Pressure***

## **Chore Master®**

### **PARTS LIST FOR CM-2600-0MLB**

<b>Displacement:</b>	<b>208 cc</b>
<b>Pump Oil Grade:</b>	<b>Mi-T-M Pump Oil AW-4085-0016</b>
<b>Pump Oil Capacity:</b>	<b>5.0 oz.</b>
<b>Nozzle Size:</b>	<b># 3.0</b>

This Parts Listing has been compiled for your benefit. You can be assured your cold water pressure washer was constructed and designed with quality and performance in mind. Each component has been rigorously tested to insure the highest level of quality.

The contents of this Parts Listing are based on the latest product information available at the time of publication. Mi-T-M reserves the right to make changes in price, color, materials, equipment, specifications or models at any time without notice.

### **WARNING**

THIS IS A PROFESSIONAL HIGH PRESSURE, COLD WATER PRESSURE WASHER. CAUTION SHOULD BE OBSERVED WHEN USING OR REPAIRING THIS UNIT! READ AND FOLLOW THE SAFETY WARNINGS LISTED BELOW BEFORE ATTEMPTING ANY REPAIRS ON THIS PRESSURE WASHER!

### **SAFETY WARNINGS**

1. NEVER alter or modify the equipment. Be sure any accessory items and system components being used will withstand the pressure developed. Use only genuine manufacturer parts for repair of your pressure washer. Failure to do so can cause hazardous operating conditions and will VOID warranty.
2. NEVER make adjustments on machinery while the unit is connected to the engine without first removing the ignition cable from the spark plug. Turning over the machinery by hand during adjustment or cleaning might start the engine and machinery with it, causing serious injury to the operator.
3. Know how to stop and bleed pressures quickly. Be thoroughly familiar with controls.
4. Before servicing the unit, turn unit off, relieve the water pressure and allow the unit to cool down. Do not make repairs while the unit is running. Service in a clean, dry, flat area. Block the wheels to prevent the unit from moving. Be especially careful to properly dispose of any flammable materials.
5. After testing the machine, DO NOT leave the pressurized unit unattended. Shut off the unit and release trapped pressure before leaving.

### **Table of Contents**

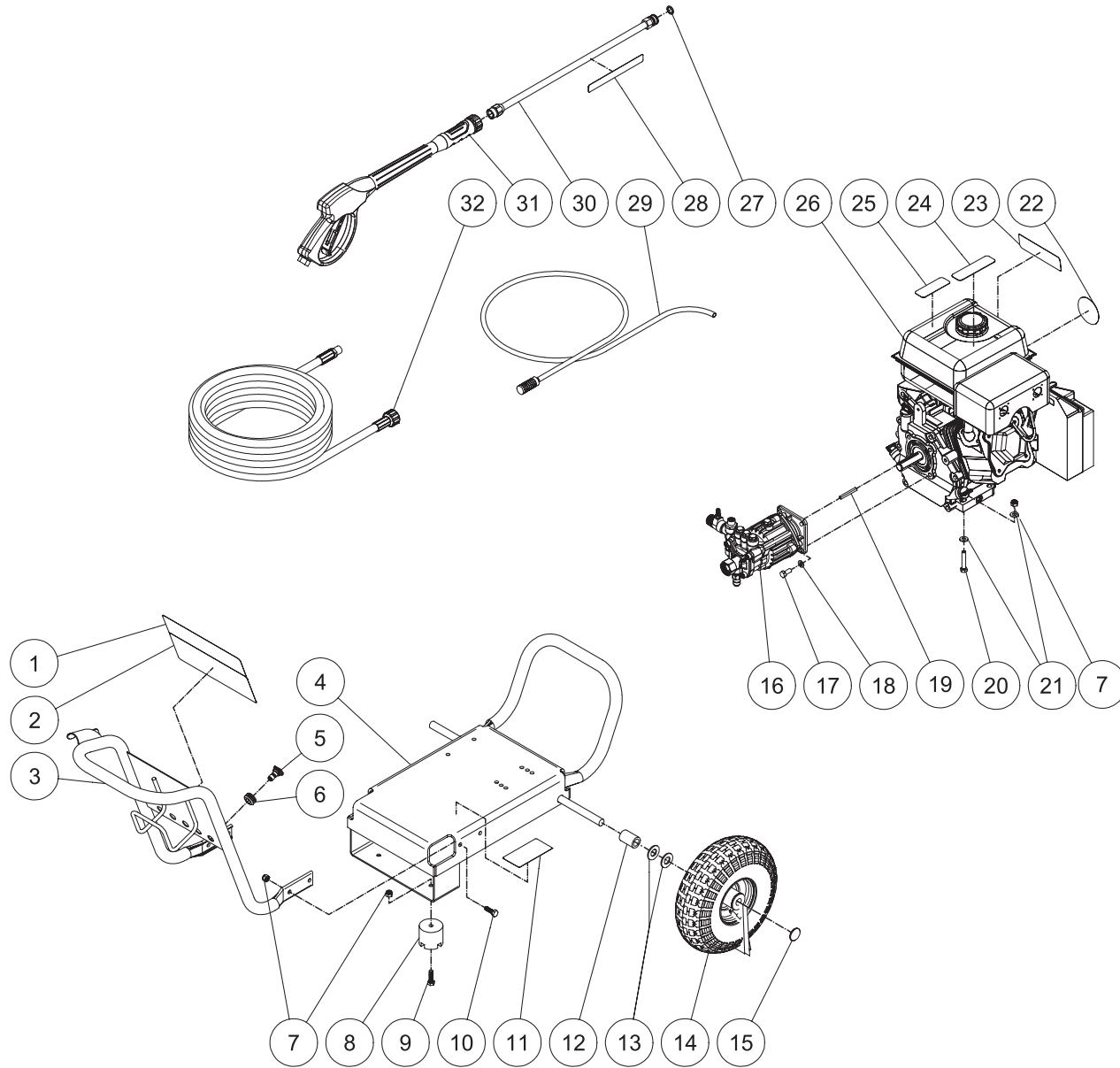
<b>SPECIFICATIONS.....</b>	<b>3</b>
<b>FRAME ASSEMBLY FOR CM-2600-0MLB.....</b>	<b>4</b>
<b>MOTOR / PUMP ASSEMBLY (3-0311).....</b>	<b>6</b>

## SPECIFICATIONS

CM-2600-0MLB

MODEL NUMBER	CM-2600-0MLB
<b>Operating Pressure (PSI/Bar):</b>	2600/179.5
<b>High Pressure Nozzle:</b>	3.0
<b>Water Volume (GPM/lpm):</b>	2.4/9.1
<b>Engine:</b>	LCT
Displacement (cc)	208
Engine Type	4 Stroke, Overhead Valve, Single Cylinder
Oil Type	SAE10W-30
Oil Capacity (oz./liters)	20/6
Fuel Type	Unleaded Gasoline 86 Octane Minimum
Fuel Capacity (gallon/ liters)	.95/3.6
Starting	Recoil
Maximum No Load RPM	3700 (+/- 100) RPM
<b>Pump:</b>	Axial Direct Driven, Oil Bath, Triplex Piston
Oil Type	Mi-T-M Pump Oil AW-4085-0016
Oil Capacity (oz./liters)	5.0/0.15
Plungers	Ceramic Coated
Manifold	Forged Brass
Valves	Stainless Steel
Unloader	Preset
Detergent Injector	Low pressure downstream from pump
<b>Unit Net Weight (lbs/Kg)</b>	75/34
<b>Unit Shipping Weight (lbs/Kg)</b>	100/45.3
<b>Unit Net Dimension (cm)</b>	37Lx21Wx24.5H/ 94Lx53.5Wx62.5H
<b>Unit Shipping Dimension (cm)</b>	30.5Lx21.5Wx28.5H/ 77.5Lx55Wx72.5H
	*Shipped without handle attached.

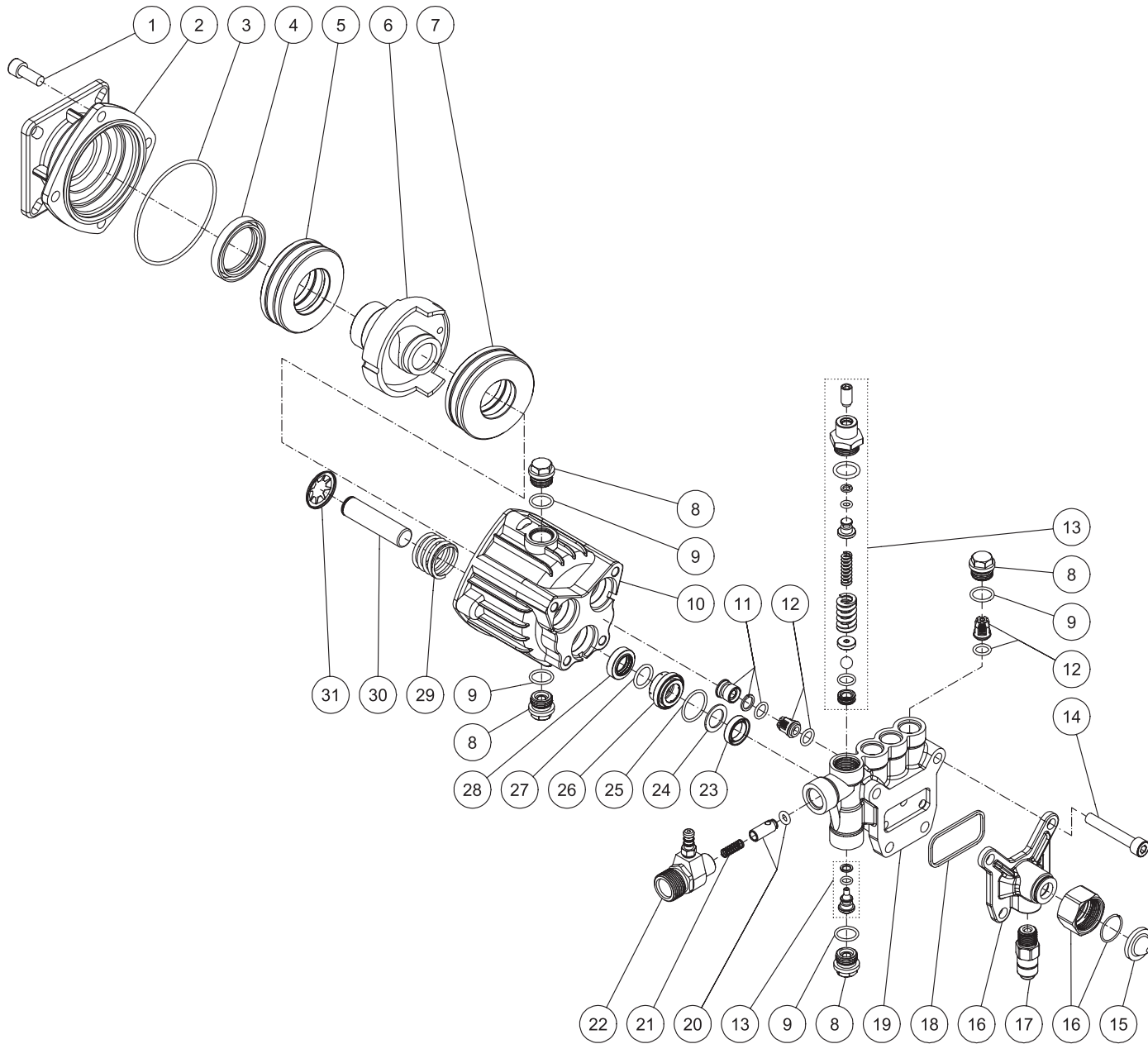
# FRAME ASSEMBLY FOR CM-2600-0MLB



CM-2600-0MLB-070708-CJB

FRAME ASSEMBLY FOR CM-2600-0MLB								
REF. #	DESCRIPTION	PART #	QTY.	REF. #	DESCRIPTION	PART #	QTY.	
1	Decal- Chore Master Placard	34-2150	1	17	Screw	27-0091	4	
2	Decal- Warning/Caution/Operation (See 34-9014)	N/A Sep.	1	18	Lockwasher	29-0007	4	
3	Front Handle Assembly	7-0194A01	1	19	Key	43-0073	1	
4	Frame- Small	5-0253A53	1	20	Bolt	27-0070	4	
5	Nozzle 1503	18-0150	1	21	Washer	28-0003	8	
-	Nozzle 2503	18-0303	1	22	Decal- Choremaster Units 2600, 3000	34-2153	1	
-	Nozzle 6540	18-0148	1	23	Decal- Choremaster Units 2600	34-2152	1	
6	Grommet	33-0001	5	24	Decal- Warning Risk of Burns (See 34-9014)	N/A Sep.	1	
7	Locknut	30-0157	10	25	Decal- Caution Risk of Fire (See 34-9014)	N/A Sep.	1	
8	Isolator	14-0008	2	26	Engine	1-0166	1	
9	Bolt	27-0068	2	27	O-Ring	25-0122	1	
10	Bolt	27-0067	4	28	Decal- Caution Risk of Injection (See 34-9014)	N/A Sep.	1	
11	Data Plate	N/A	1	29	Detergent Hose	19-0233	1	
12	Axle Spacer	62-0176	2	30	Lance Assembly	16-0366	1	
13	Washer	28-0008	4	31	Gun and Wand	16-0441	1	
14	Wheel	14-0113	2	32	Hose	15-0269	1	
15	Hub Cap	33-0018	2		Safety Decal Kit (Inc. 2, 24-25, 28)	34-9014		
16	Pump	3-0311	1					

# MOTOR / PUMP ASSEMBLY (3-0311)



3-0311-040308-JJT

## PUMP ASSEMBLY (3-0311)

REF. #	DESCRIPTION	PART #	QTY.	REF. #	DESCRIPTION	PART #	QTY.
1	Screw	27-8432	4	18	Inlet Body Seal	26-0327	1
2	Flange	46-1330	1	19	Pump Head	N/A	1
3	O-Ring	25-0605	1	20	Non Return Valve Kit	70-0511	1
4	Oil Seal	26-0320	1	21	Non Return Valve Spring	46-1332	1
5	Rear Bearing	N/A	1	22	Outlet Assy Kit	70-0510	1
6	Wobble Plate Assy	N/A	1	23	Water Seal	N/A	3
7	Front Bearing	N/A	1	24	Water Seal Washer	N/A	3
8	Plug	39-0233	6	25	O-Ring	26-0325	3
9	O-Ring	25-0606	6	26	Locating Ring	N/A	3
10	Pump Housing	N/A	1	27	O-Ring	46-1331	3
11	Inlet Plug Assy Kit	N/A	3	28	Oil Seal	N/A	3
12	Valve Assy	N/A	6	29	Plunger Spring	26-0325	3
13	Unloader Kit	70-0513	1	30	Piston	N/A	3
14	Bolt	27-9569	4	31	Spring Disk	N/A	3
15	Inlet Filter	19-0001	1		Inlet Plug Kit (Inc. 3 of 11)	70-0512	1
16	Inlet Assy Kit	70-0514	1		Packing Kit (Inc. 3 of 23, 24, 25, 27)	70-0515	1
17	Thermal Relief Valve	22-0408	1		Valves Kit (Inc. 6 of 12)	70-0516	1