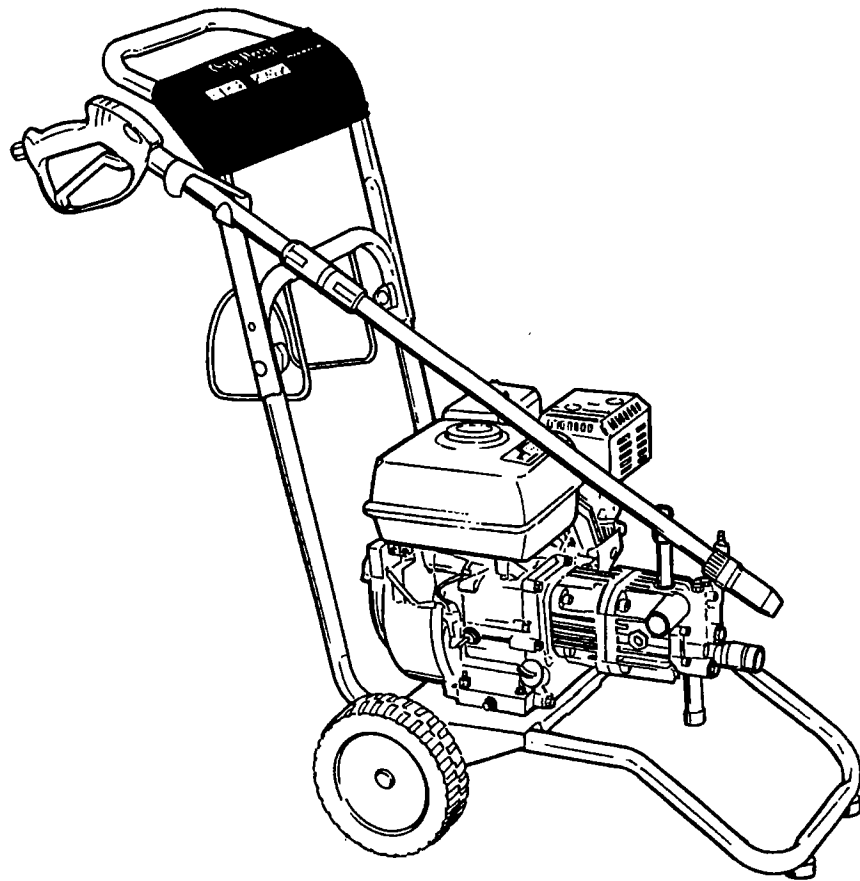
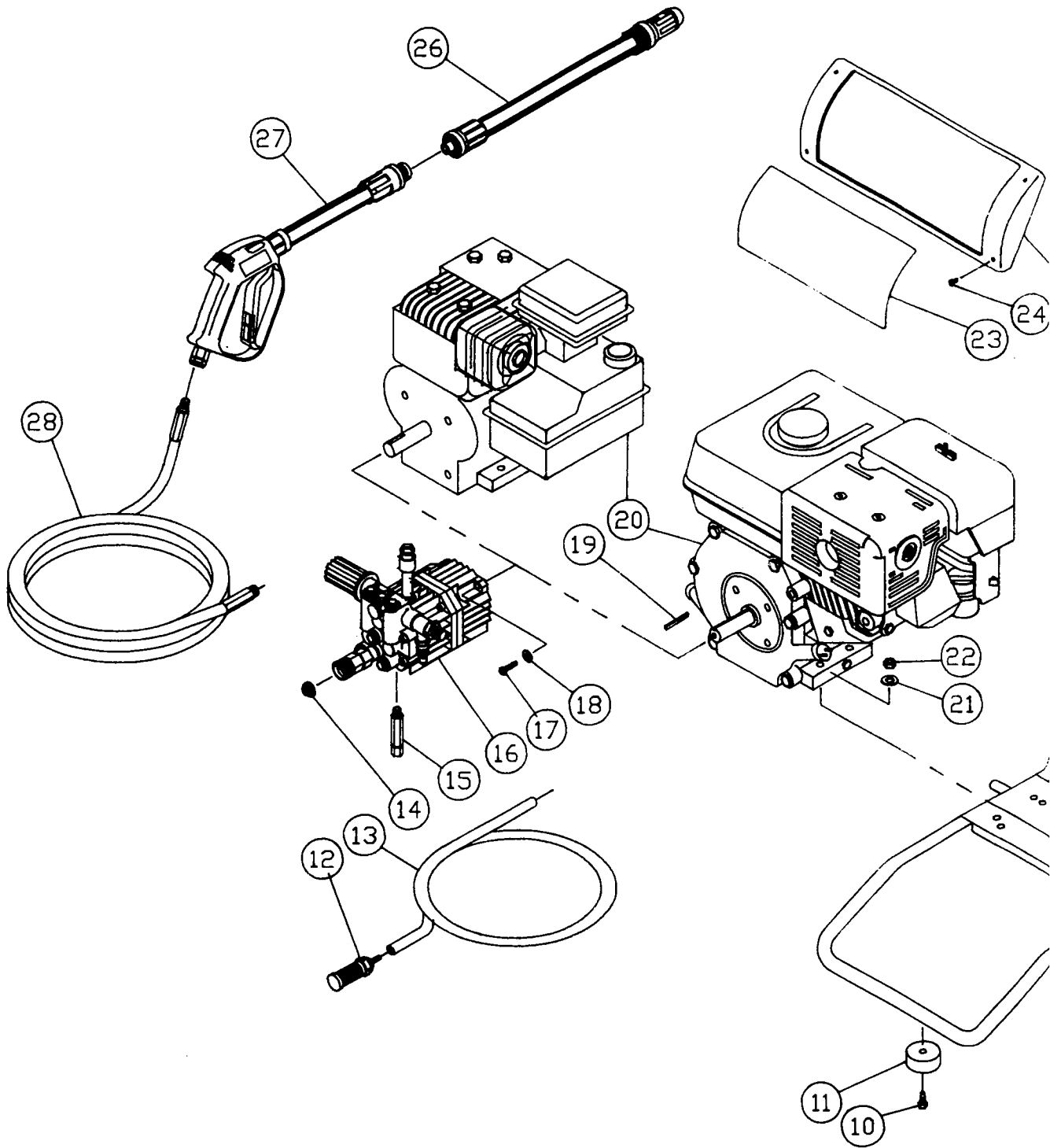


Mi-T-M[®] CORPORATION

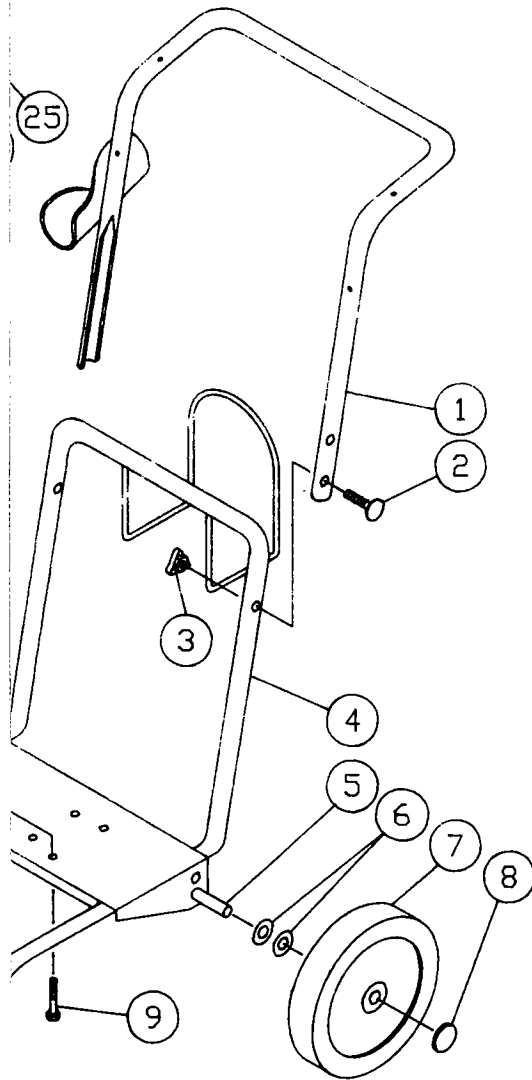
8650 Enterprise Drive, Peosta IA 52068
319-556-7484 / Fax 319-556-1235



CM-1503 / CM-2003 PARTS LISTING

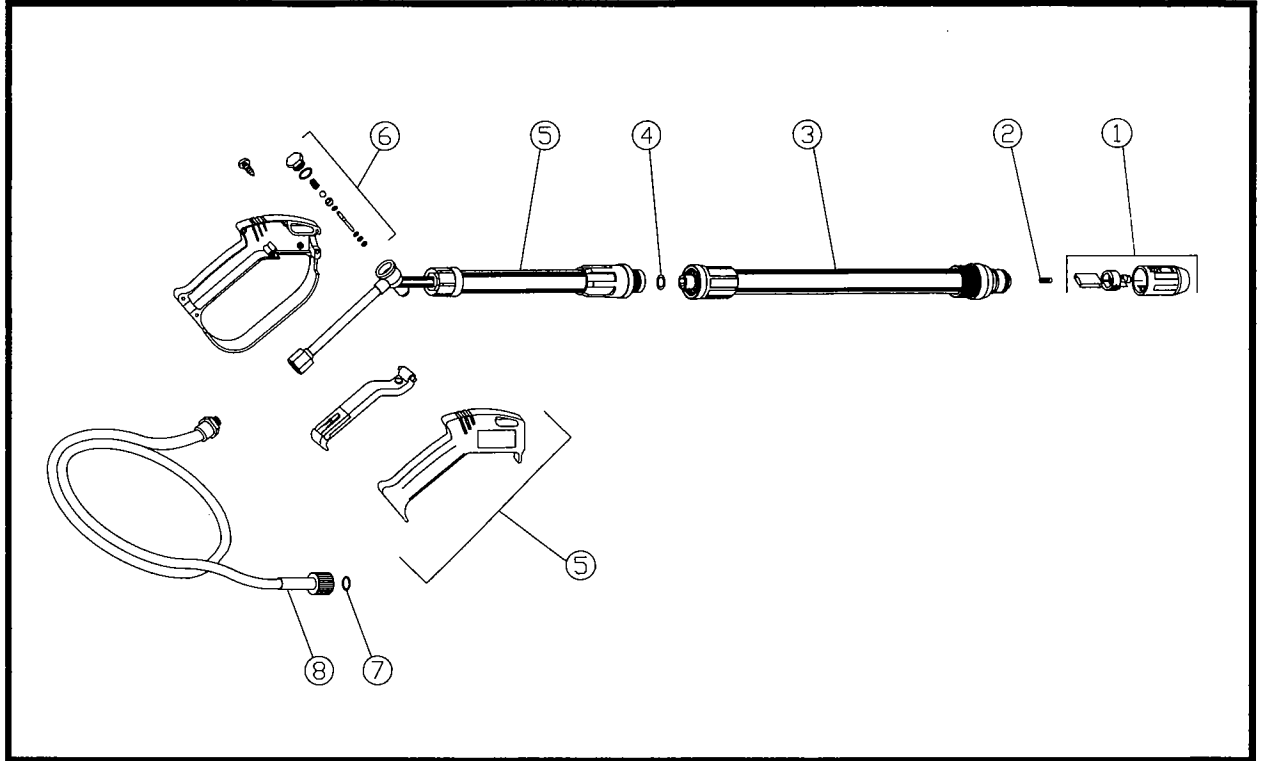


CM-1503 & CM-2003 ASSEMBLY PARTS LISTING



Ref. No.	Description	Part No.
1.	Handle.....	7-0106
2.	Carriage bolt-handle	31-0051
3.	Knob	7-0107
4.	Frame.....	5-0102
5.	Axle	20-0343
6.	Washer.....	28-0006
7.	Wheel.....	14-0052
8.	Hub cap.....	33-0055
9.	Bolt-engine.....	27-0070
10.	Bolt-isolator	27-3062
11.	Isolator-rubber foot	14-0007
12.	Strainer-detergent	19-0050
13.	Hose-detergent	15-0021
14.	Filter-water inlet.....	19-0001
15.	Heat dump valve (on CM-2003 only)	22-0148
16.	Pump:	
	For CM-1503.....	3-0101
	For CM-2003.....	3-0104
17.	Bolt-pump	27-0847
18.	Washer-pump	29-0007
19.	Key-engine shaft	43-0073
20.	Engine:	
	For CM-1503 (5 HP Briggs)	1-0059
	For CM-2003 (5.5 HP Honda).....	1-0013
21.	Washer-engine	28-0003
22.	Hex nut-engine.....	30-0157
23.	Decal-warning	34-0471
24.	Bolt-name plate.....	27-3049
25.	Name plate-plastic	62-0084
26.	Variable nozzle assembly:	
	For CM-1503.....	16-0192
	For CM-2003	16-0173
27.	Gun assembly complete	16-0167
28.	High pressure hose assembly.....	15-0133

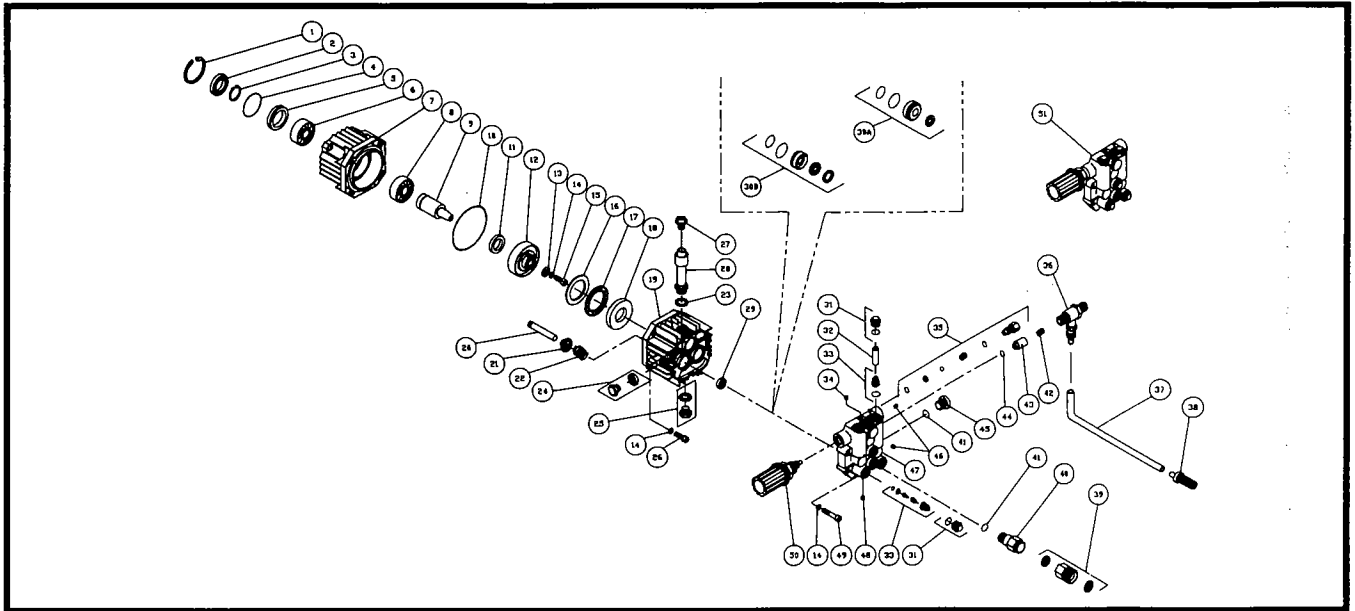
HOSE, GUN, WAND ASSEMBLY (CM-1503 & CM-2003) EXPLODED VIEW



HOSE, GUN, WAND ASSEMBLY (CM-1503 & CM-2003) PARTS LISTING

Ref. No.	Description	Part No.
1	Angle regulator kit	16-0203
2	Pressure nozzle (For CM-1503).....	18-0239
	(For CM-2003).....	18-0227
3	Lance with Variable nozzle assembly (Includes items 1, 2 and 4) (For CM-1503).....	16-0192
	(For CM-2003).....	16-0173
4	O-ring	25-0259
5	Gun assembly complete (Includes item 6)	16-0167
6	Gun repair kit	16-0198
7	O-ring	25-0258
8	Hose assembly complete (Includes item 7)	15-0133

PUMP ASSEMBLY (3-0101 & 3-0104) EXPLODED VIEW



PUMP ASSEMBLY (3-0101 & 3-0104) PARTS LISTING

Ref. No. Description	Part No.	Ref. No. Description	Part No.
1 C-clip.....	46-0405	30B Packing kit for 3-0104 (3 required).....	46-0579
2 Spacer.....	46-0407	31 Valve plug kit.....	46-0478
3 C clip.....	46-0406	32 Valve spacer.....	46-0359
4 O-ring.....	25-0227	33 Valve assembly kit for 3-0101 (Includes 6 valves).....	46-0408
5 Oil seal.....	46-0425	33 Valve assembly kit for 3-0104 (Includes 6 valves).....	46-0576
6 Bearing-rear.....	48-0036	34 Screw.....	27-8821
7 Engine flange.....	52-0028	35 Unloader check valve kit.....	46-0479
8 Bearing-front.....	48-0037	36 Detergent injector for 3-0101.....	46-0553
9 Shaft.....	46-0427	36 Detergent injector for 3-0104.....	46-0476
10 O-ring.....	25-0243	37 Detergent hose.....	15-0021
11 Washer.....	46-0468	38 Detergent strainer.....	19-0050
12 Cam disc for 3-0101.....	46-0555	39 Garden hose swivel.....	23-0186
12 Cam disc for 3-0104.....	46-0467	40 Inlet connector.....	23-0188
13 Washer.....	28-0133	41 O-ring.....	25-0273
14 Washer.....	29-0055	42 Spring.....	49-0086
15 Screw.....	27-8432	43 No return valve.....	46-0465
16 Bearing disc.....	48-0035	44 O-ring.....	25-0278
17 Needle bearing.....	48-0030	45 Manifold plug.....	39-0072
18 Bearing disc.....	48-0032	46 Screw.....	27-8822
19 Pump housing.....	46-0426	47 Manifold head for 3-0101.....	46-0424
20 Piston for 3-0101.....	46-0363	47 Manifold head for 3-0104.....	46-0577
20 Piston for 3-0104.....	46-0578	48 Screw.....	27-8198
21 Piston spring retainer.....	46-0362	49 Manifold bolt.....	27-8811
22 Piston spring.....	49-0081	50 Pressure regulator assembly.....	46-0474
23 Gasket.....	26-0168	51 Pump manifold kit for 3-0101 (Includes items 30A-34, 43-45, 47).....	46-0554
24 Oil sight glass.....	46-0419	51 Pump manifold for 3-0104 (Includes items 30B-34, 43-45, 47).....	46-0580
25 Oil drain assembly kit.....	46-0398	Pump assembly complete.....	3-0101, 3-0104
26 Screw.....	27-8194		
27 Oil port cap.....	39-0066		
28 Oil port extension.....	46-0351		
29 Oil seal.....	26-0163		
30A Packing kit for 3-0101 (3 required).....	46-0477		