

Mi-T-M[®] CORPORATION

8650 Enterprise Drive, Peosta IA 52068

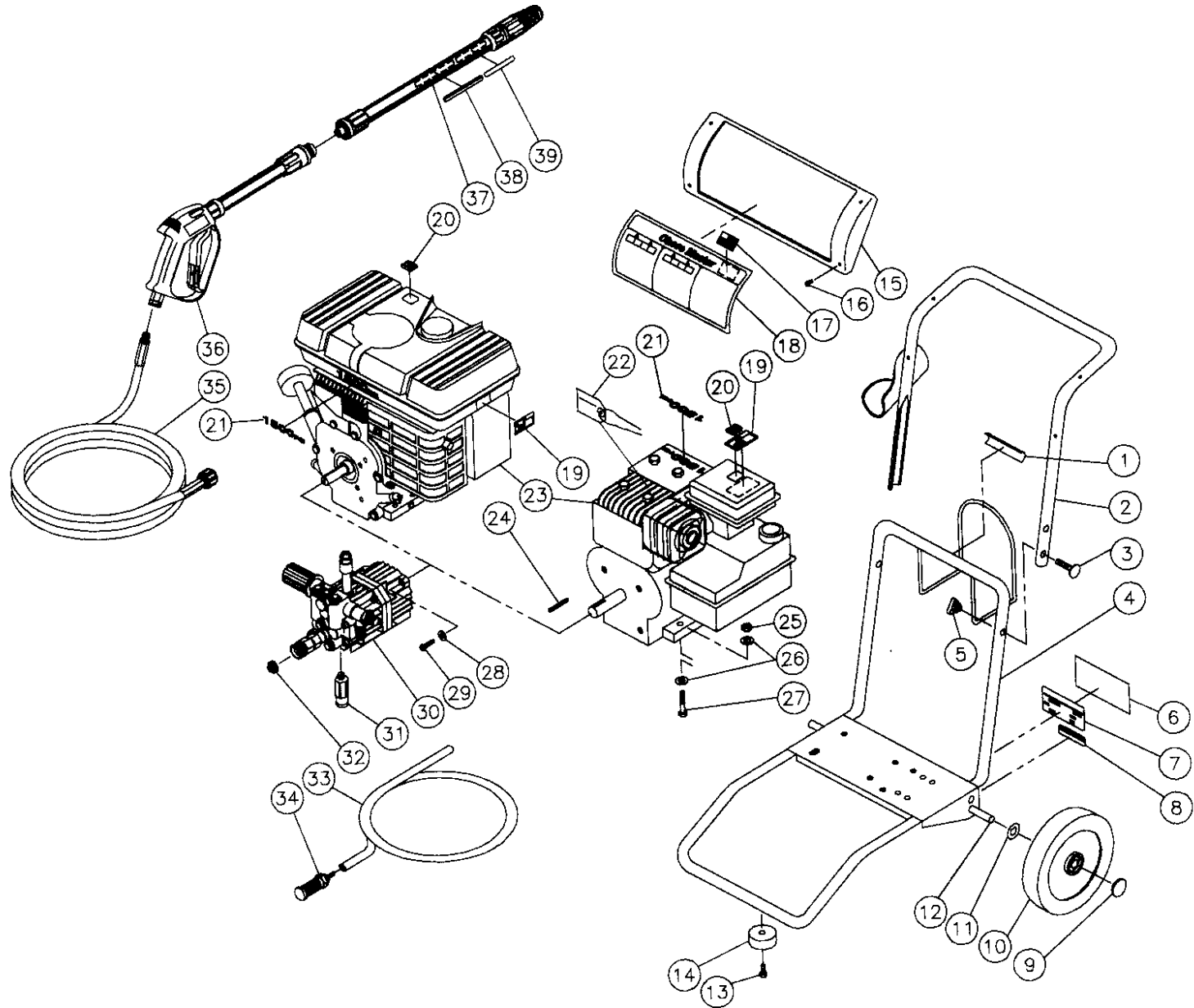
563-556-7484 / Fax 563-556-1235

www.mitm.com

PARTS LIST FOR CM-1500-0MBC CM-1503-1MBC (After Serial #210142)

Engine Oil Grade:	30W SE/SF/SG
Engine Oil Capacity:	20 oz.
Pump Oil Grade:	Mi-T-M Pump Oil AW-4085-0016
Pump Oil Capacity:	6.5 oz.
Nozzle Size:	1.45 mm

FRAME ASSEMBLY FOR CM-1500-0MBC & CM-1503-1MBC



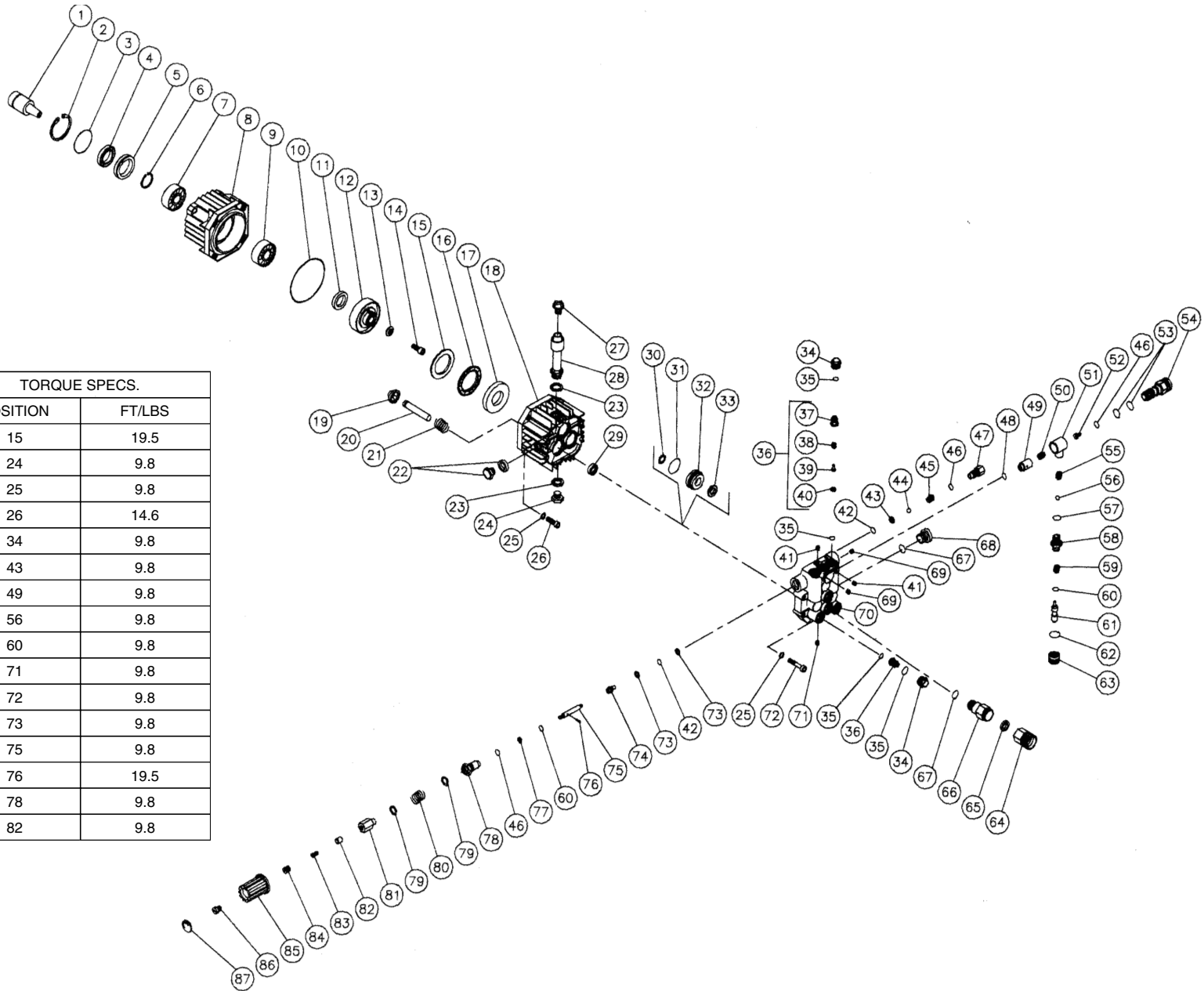
OMCH006-030796-JTR

CM-1500-OMBC & CM-1503-1MBC FRAME ASSEMBLY

Ref. #	Description	Part #	Qty.	Ref. #	Description	Part #	Qty.
1	Technical Service Number	34-0603	1	21	Decal-1500 PSI/Orange Die Cut	34-0552	1
2	Handle	7-0106	1	22	Tag-No Oil Warning	34-0306	1
3	Carriage Bolt	31-0051	2	23	Engine-5.0 HP Briggs & Stratton (CM-1500)	1-0059	1
4	Frame	5-0102	1		Engine-5.0 HP Briggs & Stratton I/P (CM-1503)	1-0003	1
5	Knob	7-0107	2	24	Key	43-0073	1
6	Decal-Clear Laminate	34-0210	1	25	Locknut	30-0157	4
7	Decal-Silver I.D. Sticker	34-0486	1	26	Washer	28-0003	8
8	Decal-Serial Number	N/A	1	27	Bolt	27-0070	4
9	Hub Cap	33-0055	2	28	Lockwasher	29-0007	4
10	Wheel	14-0052	2	29	Bolt	27-0847	4
11	Washer	28-0006	4	30	Pump-Axial Piston	3-0101	1
12	Axle	20-0343	1	31	Heat Dump Valve	22-0208	1
13	Screw	27-3064	2	32	Filter	19-0001	1
14	Isolator	14-0007	2	33	Detergent Hose *(4' required)	15-0021	1
15	Name Plate	62-0084	1	34	Detergent Strainer	19-0050	1
16	Screw	27-3049	4	35	High Pressure Hose	15-0133	1
17	Decal-American Flag	34-0521	1	36	Gun Assembly	16-0167	1
18	Decal-Warning: Pictorial	34-0471	1	37	Variable Nozzle Assembly 1.45mm	16-0192	1
19	Decal-Warning: Muffler Hot	34-0130	1	38	Decal-Warning: Risk of Injection	34-0572	1
20	Decal-Caution: Allow to Cool	34-0588	1	39	Decal-Adjustable Nozzle-High/Low	34-0457	1
*Must order in one foot lengths							

PUMP ASSEMBLY (3-0101)

TORQUE SPECS.	
POSITION	FT/LBS
15	19.5
24	9.8
25	9.8
26	14.6
34	9.8
43	9.8
49	9.8
56	9.8
60	9.8
71	9.8
72	9.8
73	9.8
75	9.8
76	19.5
78	9.8
82	9.8



OMPMP004-092696-JTR

PUMP ASSEMBLY (3-0101)											
REF.	DESCRIPTION	PART #	QTY.	REF.	DESCRIPTION	PART #	QTY.	REF.	DESCRIPTION	PART #	QTY.
1	Pump Shaft	46-0427	1	33	Pressure Seal	26-0164	3	65	Gasket	26-0166	1
2	Circle Clip	46-0405	1	34	Valve Plug	46-0628	6	66	Inlet Connector	23-0188	1
3	O-ring	25-0272	1	35	O-ring	25-0335	8	67	O-ring	25-0273	2
4	Oil Seal	46-0425	1	36	Valve Complete (See Kit 70-0112)	N/A Sep.	6	68	Manifold Plug	39-0072	1
5	Spacer	46-0407	1	37	Valve Cage (See Kit 70-0112)	N/A Sep.	6	69	Screw	27-8822	2
6	Circle Clip	46-0406	1	38	Valve Spring (See Kit 70-0112)	N/A Sep.	6	70	Manifold	46-0631	1
7	Bearing-Rear	48-0036	1	39	Valve Plate (See Kit 70-0112)	N/A Sep.	6	71	Screw	27-8198	1
8	Flange	52-0028	1	40	Valve Seat (See Kit 70-0112)	N/A Sep.	6	72	Bolt	27-8811	4
9	Bearing	48-0037	1	41	Screw	27-8821	2	73	Back-up Ring	25-0247	2
10	O-ring	25-0243	1	42	O-ring	25-0230	2	74	Piston By-Pass (See Kit 70-0004)	46-0423	1
11	Washer	46-0468	1	43	Valve Seat	46-0409	1	75	Pin (See Kit 70-0004)	N/A Sep.	1
12	Wobble Plate	46-0555	1	44	Ball	46-0394	1	76	Roll Pin	46-0421	1
13	Washer	28-0133	1	45	Valve Spring	46-0411	1	77	Back-up Ring	25-0246	1
14	Bolt	27-8432	1	46	O-ring	25-0255	2	78	Plug (See Kit 70-0004)	N/A Sep.	1
15	Bearing Disc-Rear	48-0035	1	47	Plug	46-0412	1	79	Washer	46-0463	2
16	Bearing	48-0030	1	48	O-ring	25-0334	1	80	Pressure Regulation Spring	49-0089	1
17	Bearing Disc-Front	48-0032	1	49	No Return Valve	46-0626	1	81	Pressure Regulation Screw	46-0420	1
18	Pump Housing	46-0426	1	50	Spring	49-0110	1	82	Screw Support	27-8853	1
19	Piston Spring Retainer	46-0362	3	51	Injector Body	46-0620	1	83	Bolt	27-8810	1
20	Piston	46-0363	3	52	Injector Nozzle	46-0415	1	84	Internal Screw	27-8852	1
21	Piston Spring	49-0081	3	53	O-ring	25-0263	3	85	Pressure Regulation Knob	7-0091	1
22	Kit-Oil Sight Glass	70-0175	1	54	Pressure Outlet	46-0627	1	86	Screw	27-8086	1
23	Gasket	26-0168	3	55	Spring (See Kit 852-0056)	N/A Sep.	1	87	Cap - Red	7-0088	1
24	Oil Drain Plug	39-0065	1	56	Ball (See Kit 852-0056)	N/A Sep.	1		Packing Kit (Includes 3 each 30-33)	70-0093	
25	Lockwasher	29-0154	8	57	O-ring (See Kit 852-0056)	N/A Sep.	1		Valve Kit (Includes 6 each 37 & 42)	70-0112	
26	Bolt	27-8194	4	58	Injector Nipple	47-0417	1		Unloader Seat (Includes 44-49)	70-0110	
27	Oil Cap	39-0066	1	59	Injector Spring	49-0088	1		Unloader Stem (Includes 44, 48, 62, 77-91)	70-0004	
28	Oil Tube Extension	46-0351	1	60	O-ring (See Kit 852-0056 & 70-0004)	N/A Sep.	2		Injector Repair Kit (Includes 57-59, 62)	852-0056	
29	Oil Seal (See Kit 70-0001)	N/A Sep.	3	61	Injector Piston	46-0418	1		Manifold Assembly (Includes 30-65, 72-75, 77-91)	70-0119	
30	O-ring (See Kit 70-0118)	N/A Sep.	3	62	Flexible Ring	25-0277	1		*Must order in one foot lengths		
31	O-ring (See Kit 70-0118)	N/A Sep.	3	63	Injector Regulation Knob	46-0469	1				
32	Packing Retainer	9-0052	3	64	Garden Hose Connection	23-0162	1				