



Performance Under Pressure

PARTS LIST FOR
CM-1400-0MEH

Motor Horsepower:	1.5 H.P.
Pump Oil Grade:	Mi-T-M Pump Oil #AW-4085-0016
Pump Oil Capacity:	11.2 oz.
Nozzle Size:	.95 mm

This Parts Listing has been compiled for your benefit. You can be assured your cold water pressure washer was constructed and designed with quality and performance in mind. Each component has been rigorously tested to insure the highest level of quality.

The contents of this Parts Listing are based on the latest product information available at the time of publication. The manufacturer reserves the right to make changes in price, color, materials, equipment, specifications or models at any time without notice.

WARNING

THIS IS A PROFESSIONAL HIGH PRESSURE, COLD WATER PRESSURE WASHER. CAUTION SHOULD BE OBSERVED WHEN USING OR REPAIRING THIS UNIT! READ AND FOLLOW THE SAFETY WARNINGS LISTED BELOW BEFORE ATTEMPTING ANY REPAIRS ON THIS PRESSURE WASHER!

SAFETY WARNINGS

1. NEVER alter or modify the equipment. Be sure any accessory items and system components being used will withstand the pressure developed. Use only genuine manufacturer parts for repair of your pressure washer. Failure to do so can cause hazardous operating conditions and will VOID warranty.
2. NEVER make adjustments on machinery while the unit is connected to the engine without first removing the ignition cable from the spark plug. Turning over the machinery by hand during adjustment or cleaning might start the engine and machinery with it, causing serious injury to the operator.
3. Know how to stop and bleed pressures quickly. Be thoroughly familiar with controls.
4. Before servicing the unit, turn unit off, relieve the water pressure and allow the unit to cool down. Do not make repairs while the unit is running. Service in a clean, dry, flat area. Block the wheels to prevent the unit from moving. Be especially careful to properly dispose of any flammable materials.
5. After testing the machine, DO NOT leave the pressurized unit unattended. Shut off the unit and release trapped pressure before leaving.

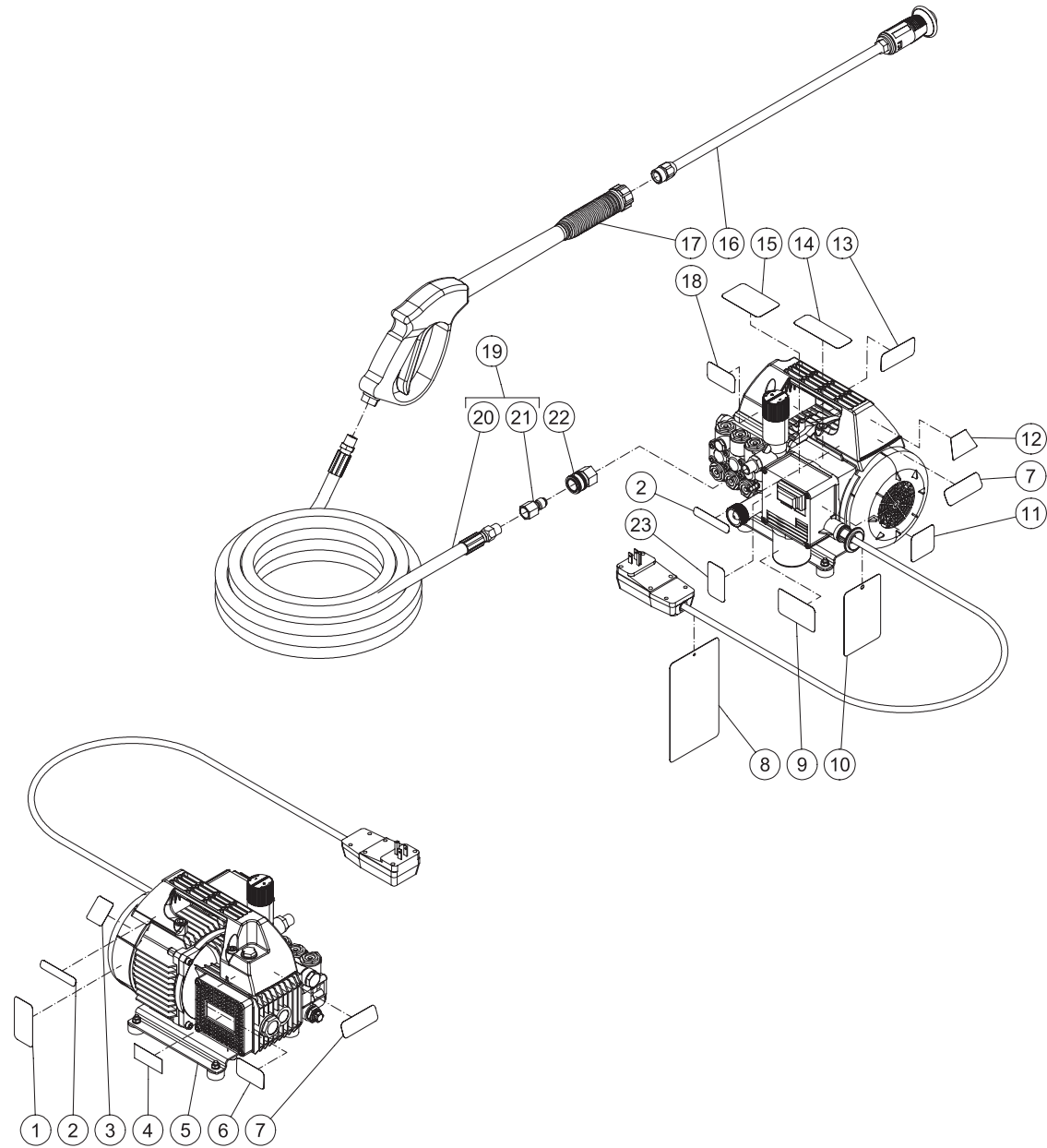
Table of Contents

SPECIFICATIONS.....	3
FRAME ASSEMBLY FOR CM-1400-0MEH.....	4
MOTOR / PUMP ASSEMBLY (3-0302).....	6
UNLOADER ASSEMBLY (8-0545).....	8

SPECIFICATIONS

MODEL NUMBER	CM-1400-0MEH
Operating Pressure (PSI/Bar):	1400/96.5
High Pressure Nozzle:	.95 mm
Water Volume (GPM/lpm):	1.5/5.6
Motor:	Totally enclosed fan cooled, circuit breaker thermal overload protection, 35ft. power supply cord with Ground Fault Circuit Interrupter (GFCI)
Horsepower	1.5
Voltage	120
Phase	Single
Amps	15.0
Pump:	Direct Driven, Oil Bath, Triplex Piston
Oil Type	Mi-T-M Pump Oil #AW-4085-0016
Oil Capacity (oz./liters)	11.2/0.33
Plungers	Ceramic
Manifold	Forged Brass
Valves	Stainless Steel
Unloader	Adjustable
Thermal Relief Valve	Relieves heated water during unloader bypass stage
Detergent Injector	Adjustable low pressure down stream from pump
Unit Net Weight (lbs/Kg)	45/20.4
Unit Shipping Weight (lbs/Kg)	52/23.5
Unit Net Dimension (in/cm)	12Lx9.5Wx9.75H/30.5Lx24Wx24.5H
Unit Shipping Dimension (in/cm)	23.5Lx14.25Wx14H/59.5Lx36Wx35.5H

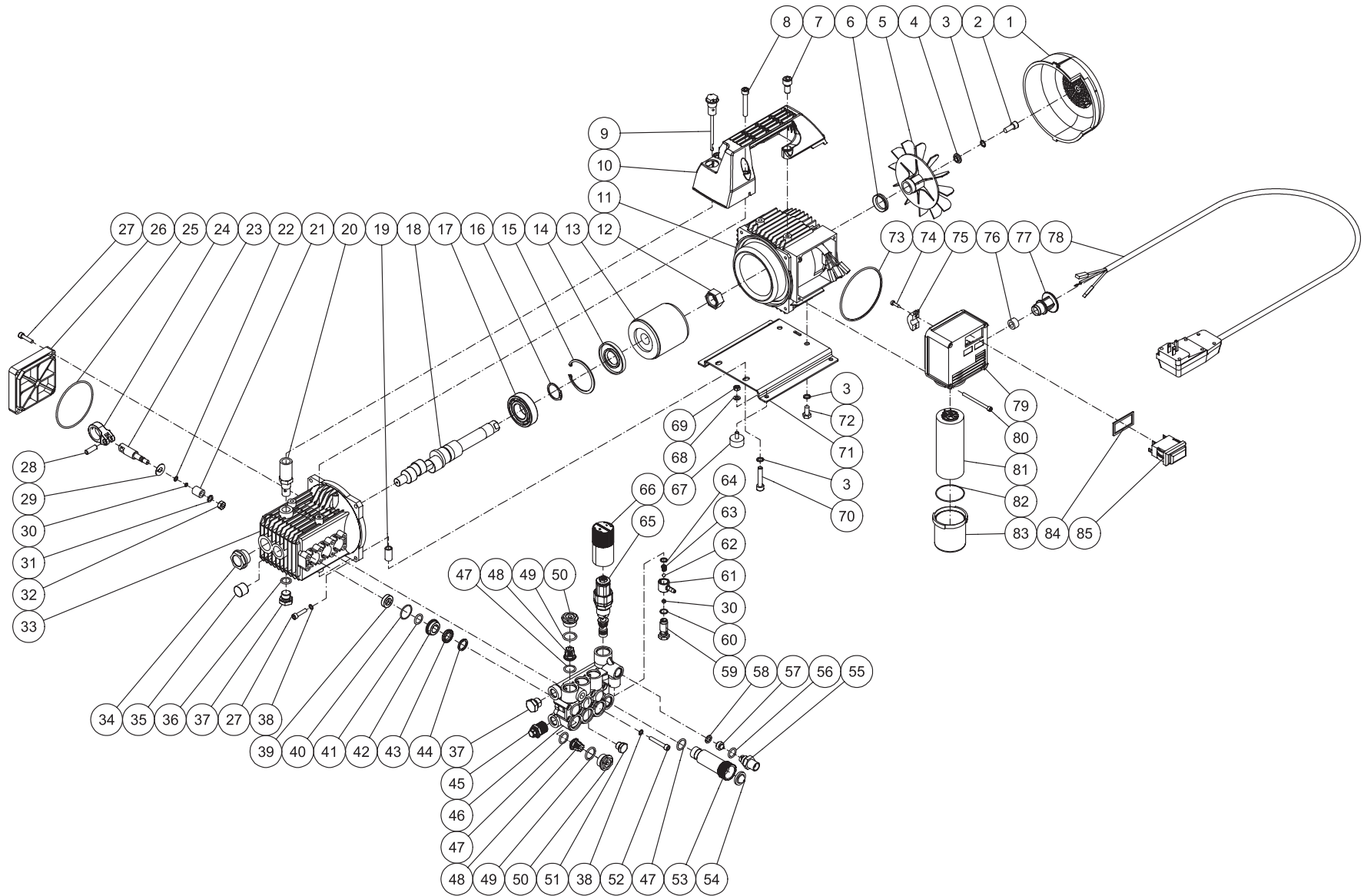
FRAME ASSEMBLY FOR CM-1400-0MEH



CM-1400-0MEH-033108-JJT

FRAME ASSEMBLY FOR CM-1400-0MEH			
REF. #	DESCRIPTION	PART #	QTY.
1	Decal- Caution: Risk of Injection (Spanish Only) (See 34-9004)	N/A Sep.	1
2	Decal- PSI/GPM	34-1919	2
3	Decal- Connection (Spanish Only) (See 34-9004)	N/A Sep.	1
4	Decal- 800#	34-1664	1
5	Motor/Pump Assembly	3-0302	1
6	Decal- Warning (Spanish Only) (See 34-9004)	N/A Sep.	1
7	Decal- Mi-T-M Logo	34-1435	2
8	Hang Tag- Warning: Risk of Electrocution (E/F/S)	34-1035	1
9	Decal- Warning: Risk of Electrocution (Spanish Only) (See 34-9004)	N/A Sep.	1
10	Hang Tag- Warnings (French Only)	34-1432	1
11	Decal- Connection (English Only) (See 34-9004)	N/A Sep.	1
12	Decal- Caution: Hot Surfaces (E/S) (See 34-9004)	N/A Sep.	1
13	Decal- Data Plate	34-1433	1
14	Decal- Warning: Risk of Injection (E/S) (See 34-9004)	N/A Sep.	1
15	Decal- Warning: Risk of Electrocution (English Only) (See 34-9004)	N/A Sep.	1
16	Lance w/Variable Nozzle	16-0444	1
17	Gun/Wand Assembly	16-0445	1
18	Decal- Warning Water Do Not Spray (See 34-9004)	N/A Sep.	1
19	Hose Assembly (Inc. 20-21)	851-0359	1
20	Pressure Hose	15-0138	1
21	Quick Connect Plug	17-0006	1
22	Quick Connect Socket	17-0004	1
23	Decal- Caution Risk of Injection (English Only) (See 34-9004)	N/A Sep.	1
	Safety Decal Kit (Inc. 1, 3, 6, 9, 11-12, 14-15, 18, 23)	34-9004	

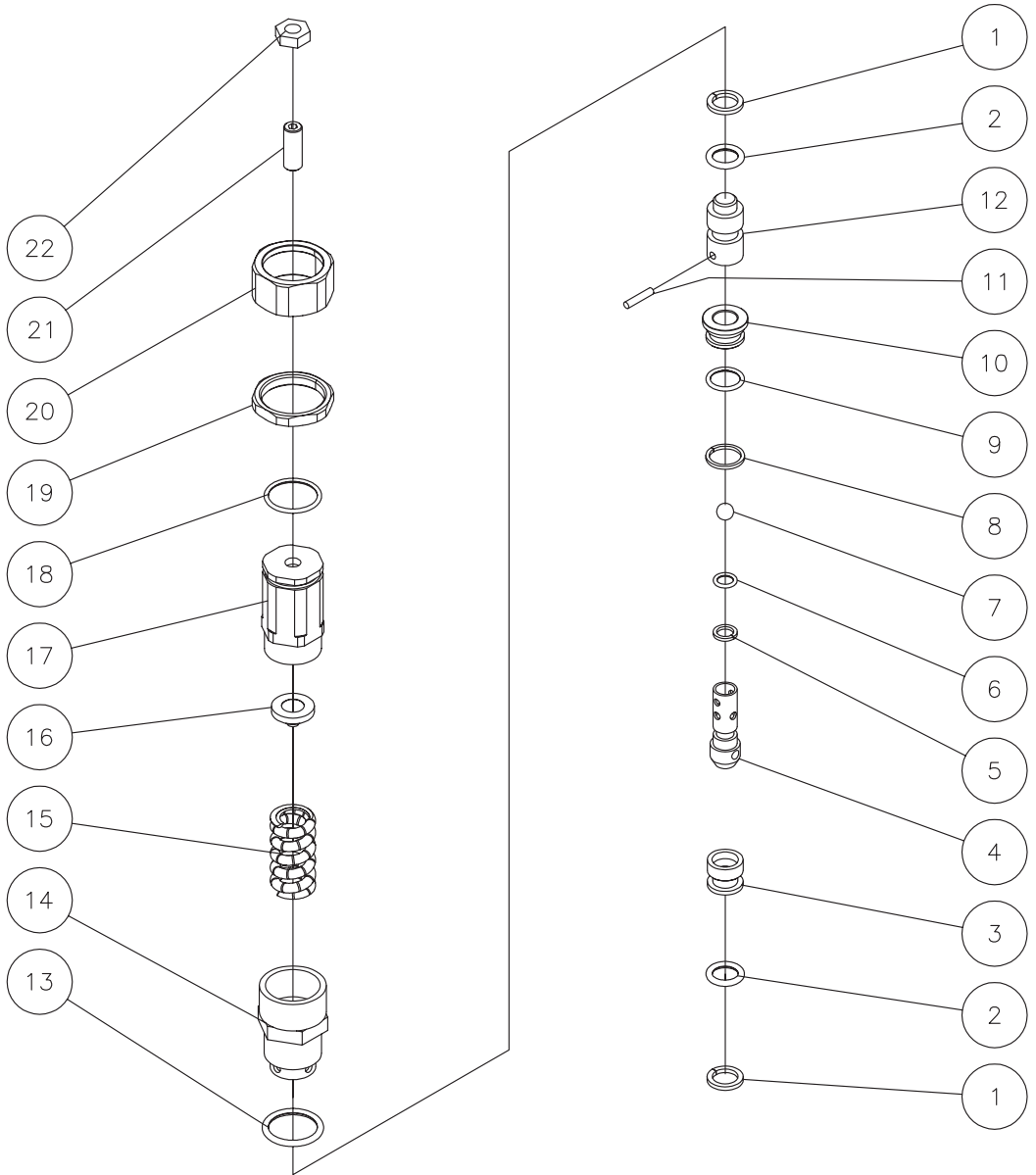
MOTOR / PUMP ASSEMBLY (3-0302)



3-0302-053107-JJT

MOTOR / PUMP ASSEMBLY (3-0302)											
REF #	DESCRIPTION	PART #	QTY	REF #	DESCRIPTION	PART #	QTY	REF #	DESCRIPTION	PART #	QTY
1	Fan Cover	62-0168	1	31	Washer	46-0166	3	61	Pump	46-0789	1
2	Screw	27-8432	1	32	Nut	46-0168	3	62	Ball	50-0012	1
3	Lockwasher	29-0154	5	33	Crankcase	46-1112	1	63	Spring	49-0020	1
4	Fan Bushing	9-0079	1	34	Indicator	46-0114	1	64	O-Ring	25-0120	1
5	Motor Fan	52-0060	1	35	Bearing	48-0019	1	65	Unloader	8-0545	1
6	Ring Seal Fan	26-0281	1	36	O-Ring	25-0052	1	66	Knob	7-0071	1
7	Bolt	27-8471	2	37	Plug	39-0018	2	67	Rubber Isolator Foot	14-0094	4
8	Bolt	27-9569	2	38	Lockwasher	29-0153	12	68	Washer	28-0200	4
9	Oil Dipstick	46-0155	1	39	Oil Seal	26-0111	3	69	Hex Nut	30-3024	4
10	Handle	62-0169	1	40	O-Ring	25-0141	3	70	Bolt	27-9590	2
11	Stator	N/A	1	41	O-Ring	25-0128	3	71	Baseplate	5-0193	1
12	Nut	N/A	1	42	Packing Retainer	46-0158	3	72	Bolt	27-8042	2
13	Rotor	N/A	1	43	Packing	46-0157	3	73	O-Ring	25-0554	1
14	Seal	26-0280	1	44	High Pressure Ring	46-0156	3	74	Screw	27-5029	2
15	Ring Snap	46-0106	1	45	Valve-Thermal Relief	22-0370	1	75	Wire Clamp	62-0167	1
16	Snap Ring	46-0245	1	46	Manifold	46-0279	1	76	Gasket	26-0282	1
17	Ball Bearing	48-0024	1	47	O-ring	25-0053	7	77	Strain Relief	32-0795	1
18	Crankshaft	N/A	1	48	Valve Assembly	70-0009	6	78	Cord	32-0796	1
19	Baseplate Spacer	33-0420	2	49	O-Ring	25-0012	6	79	Electrical Box	62-0166	1
20	Spacer	46-0154	1	50	Valve Plug	39-0035	6	80	Screw	27-8395	4
21	Plunger	46-0148	3	51	Plug	39-0017	1	81	Capacitor	32-0185	1
22	Ring	25-0143	3	52	Screw	27-8406	8	82	O-Ring	25-0140	1
23	Piston Guide	46-0149	3	53	Inlet Fitting	23-0433	1	83	Capacitor Cover	62-0165	1
24	Connecting Rod	46-0152	3	54	Inlet Filter	19-0001	1	84	Power Switch Gasket	26-0283	1
25	O-Ring	25-0332	1	55	Nipple	8-0130	1	85	Power Switch	32-0797	1
26	Crankcase Cover	46-1110	1	56	O-Ring	25-0051	1		Valve Kit (Inc. 6 each of 47, 48)	70-0009	
27	Screw	27-8869	8	57	Nozzle Unloader	62-170	1		V-Packing Kit (Inc. 3 each of 40, 41, 43, 44)	70-0378	
28	Pin	43-0044	3	58	O-Ring	25-0050	1		V-Packing Assembly (Inc. 1 each of 40, 41, 42, 43, 44)	70-0379	
29	Slinger Washer	46-0167	3	59	Valve Seat-Injector	8-0174	1				
30	O-ring	25-0045	4	60	O-Ring	25-0014	1				

UNLOADER ASSEMBLY (8-0545)



8-0545 051804-DLG

UNLOADER ASSEMBLY (8-0545)

REF. #	DESCRIPTION	PART #	QTY.	REF. #	DESCRIPTION	PART #	QTY.
1	Anti Extrusion Ring	8-0284	2	13	O-ring	25-0012	1
2	O-ring	25-0050	2	14	Unloader Guide	8-0290	1
3	Valve Seat	8-0234	1	15	Compression Spring	49-0050	1
4	Piston Valve	8-0230	1	16	Spring Plate	39-0043	1
5	Anti Extrusion Ring	8-0287	1	17	Unloader	8-0292	1
6	O-ring	25-0167	1	18	O-ring	25-0129	1
7	Ball	8-0233	1	19	Locknut	30-9523	1
8	Anti Extrusion Ring	8-0286	1	20	Lock Sleeve	30-9522	1
9	O-ring	25-0169	1	21	Set Screw	27-9570	1
10	Valve Guide	8-0231	1	22	Nut	8-0293	1
11	Pln	43-0052	1		Unloader Kit (Inc. 1-22)	8-0545	
12	Control Piston	8-0232	1				