

®

Mi-T-M[®] CORPORATION

8650 Enterprise Drive, Peosta IA 52068

563-556-7484 / Fax 563-556-1235

www.mitm.com

PARTS LIST FOR

CD-2003-2MHC/VC

(AFTER SERIAL #10166027)

ENGINE OIL GRADE:

HONDA:

VANGUARD:

SAE10W-30

BEFORE 40°F = SAE30

BELOW 40°F = SAE10W-30

ENGINE OIL CAPACITY:

HONDA:

VANGUARD:

20 oz.

24 oz.

PUMP OIL GRADE:

PUMP OIL CAPACITY:

NOZZLE SIZE:

Mi-T-M PUMP OIL #AW-4085-0016

11 oz.

3.5

This Parts Listing has been compiled for your benefit. You can be assured your Mi-T-M Cold Water Pressure Washer was constructed and designed with quality and performance in mind using over 25 years experience in the pressure washer business. Each component has been rigorously tested to insure the highest level of acceptance.

The contents of this Parts Listing are based on the latest product information available at the time of publication. Mi-T-M reserves the right to make changes in price, color, materials, equipment, specifications or models at any time without notice.

WARNING

THIS IS A PROFESSIONAL HIGH PRESSURE, COLD WATER PRESSURE WASHER. CAUTION SHOULD BE OBSERVED WHEN USING OR REPAIRING THIS UNIT! READ AND FOLLOW THE SAFETY WARNINGS LISTED BELOW BEFORE ATTEMPTING ANY REPAIRS ON THIS PRESSURE WASHER!

SAFETY WARNINGS

1. NEVER alter or modify the equipment. Be sure any accessory items and system components being used will withstand the pressure developed. Use only genuine Mi-T-M parts for repair of your pressure washer. Failure to do so can cause hazardous operating conditions and will VOID warranty.
2. NEVER make adjustments on machinery while the unit is connected to the engine without first removing the ignition cable from the spark plug. Turning over the machinery by hand during adjustment or cleaning might start the engine and machinery with it, causing serious injury to the operator.
3. Know how to stop and bleed pressures quickly. Be thoroughly familiar with controls.
4. Before servicing the unit, turn unit off, relieve the water pressure and allow the unit to cool down. Do not make repairs while the unit is running. Service in a clean, dry, flat area. Block the wheels to prevent the unit from moving. Be especially careful to properly dispose of any flammable materials.
5. After testing the machine, DO NOT leave the pressurized unit unattended. Shut off the unit and release trapped pressure before leaving.

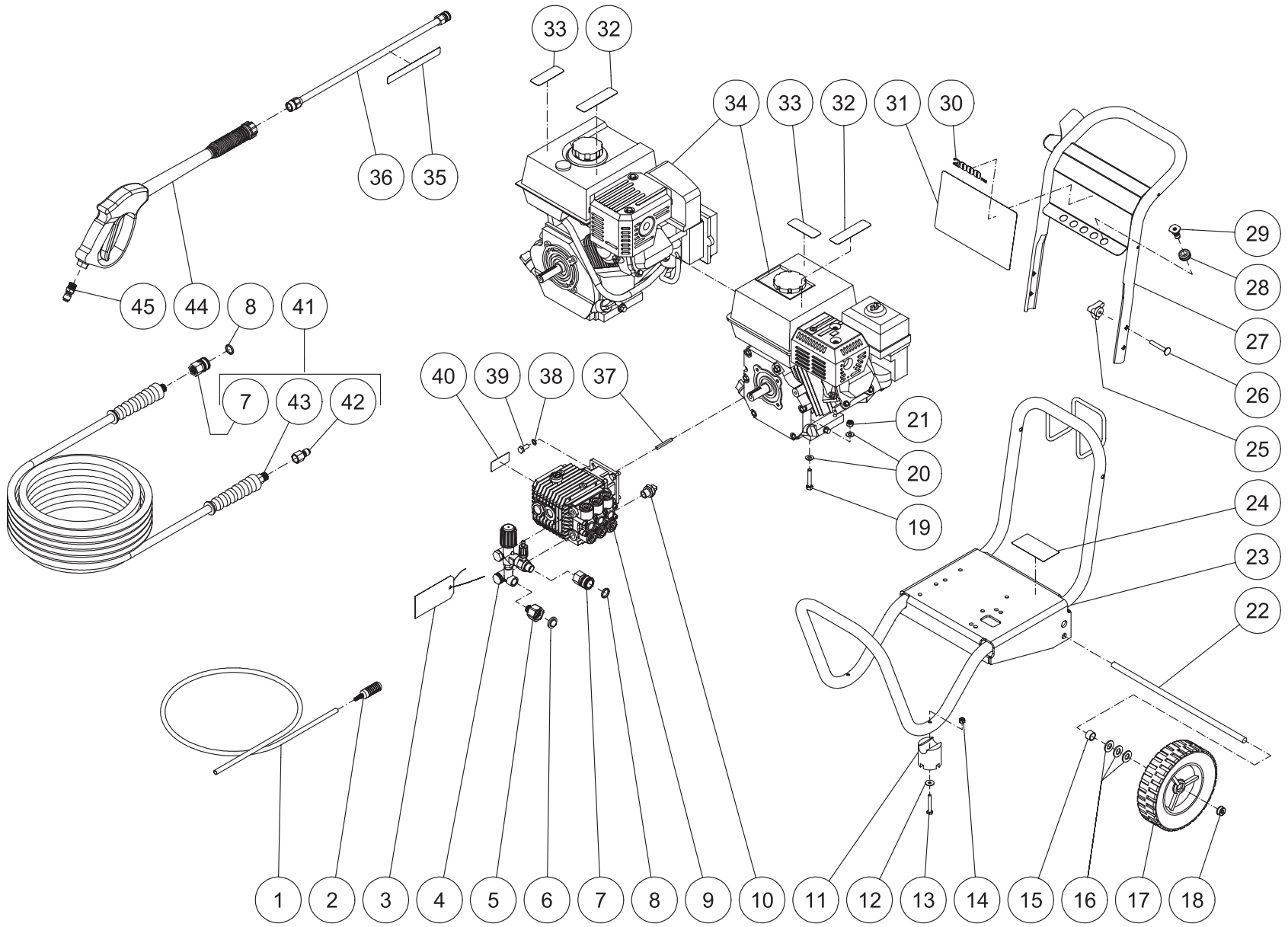
Table of Contents

SPECIFICATIONS.....3
FRAME ASSEMBLY FOR CD-2003-2MHC/2MVC (AFTER SERIAL #10166027)4
PUMP ASSEMBLY (3-0090)6
UNLOADER (8-0494) & DETERGENT INJECTOR (46-0590) ASSEMBLY.....8
LANCE ASSEMBLY (16-0366)10

SPECIFICATIONS

MODEL NUMBER	CD-2003-2MHC	CD-2003-2MVC
Operating Pressure (PSI/Bar):	2000/138	
High Pressure Nozzle:	3.5	
Water Volume (GPM/lpm):	2.8/10.6	
Engine:	Honda	Vanguard
Horsepower	5.5	6.0
Engine Type	4 Stroke, Overhead Valve, Single Cylinder	
Oil Type	SAE10W-30	Above 40°F = SAE30/Below 40°F = SAE10W-30
Oil Capacity (oz./liters)	20/.6	24/.7
Low Oil Protection	Oil Alert™	Oil Guard™
Fuel Type	Unleaded Gasoline 86 Octane Minimum	
Fuel Capacity (gallon/ liters)	.95/3.6	1.1/4.0
Starting	Recoil	
Maximum No Load RPM	3600 (+/- 100) RPM	
Pump:	Direct Driven, Oil Bath, Triplex Piston	
Oil Type	Mi-T-M Pump Oil #AW-4085-0016	
Oil Capacity (oz./liters)	11/.3	
Plungers	Ceramic	
Manifold	Forged Brass	
Valves	Stainless Steel	
Heat Dump Valve	Relieves heated water during unloader bypass stage	
Unloader:	Adjustable	
Detergent Injector:	Adjustable low pressure down stream from pump	
Unit Net Weight (lbs/Kg)	100/50	
Unit Shipping Weight (lbs/Kg)	115/52	
Unit Net Dimension (in/cm)	32Lx18Wx22.5H/81Lx45.5Wx57H	
Unit Shipping Dimension (in/cm)	33Lx21Wx24H/84Lx53Wx61H	

FRAME ASSEMBLY FOR CD-2003-2MHC/2MVC (AFTER SERIAL #10166027)

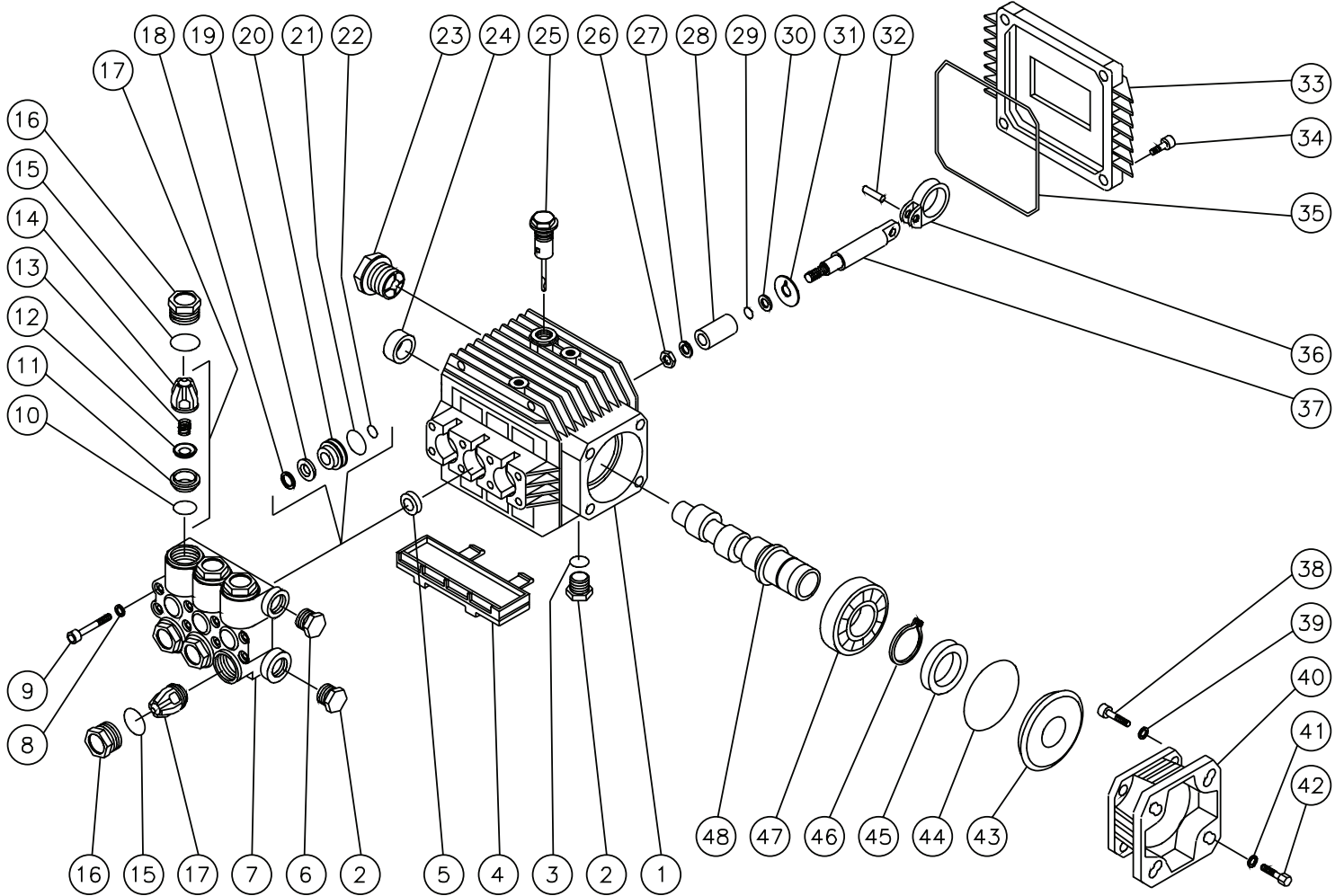


CD-2003-2MHC/2MVC-033108-JJT

FRAME ASSEMBLY FOR CD-2003-2MHC/2MVC (AFTER SERIAL #10166027)							
REF. #	DESCRIPTION	PART #	QTY.	REF. #	DESCRIPTION	PART #	QTY.
1	Detergent Hose *(Four Feet Required)	15-0021	1	26	Carriage Bolt	31-0051	2
2	Detergent Strainer	19-0050	1	27	Handle Assembly	7-0158A01	1
3	Tag- Water Inlet Supply	34-0097	1	28	Grommet	33-0001	5
4	Unloader	8-0494	1	29	Spray Nozzle- 0003.5	18-0257	1
5	Garden Hose Fitting	23-0096	1	-	Spray Nozzle- 1503.5	18-0258	1
6	Filter	19-0001	1	-	Spray Nozzle- 2503.5	18-0259	1
7	Quick Connect Socket	17-0004	2	-	Spray Nozzle- 6540	18-0148	1
8	O-ring (Replacement Only)	25-0123	-	30	Decal- Die Cut	34-0771	1
9	Pump	3-0090	1	31	Decal- Warning/Caution/Operation (See 34-9014)	N/A Sep.	1
10	Thermal Relief Valve	22-0114	1	32	Decal- Warning: Risk of Burns (See 34-9014)	N/A Sep.	1
11	Isolator	14-0066	2	33	Decal- Caution: Risk of Fire (See 34-9014)	N/A Sep.	1
12	Washer	28-0021	2	34	Engine- 5.5 H.P. Honda (CD-2003-2MHC)	1-0013	1
13	Bolt	27-0019	2	-	Engine- 6.0 H.P. Vanguard (CD-2003-2MVC)	1-0069	1
14	Locknut	30-0155	2	35	Decal- Warning: Risk of Injection (See 34-9014)	N/A Sep.	1
15	Axle Spacer	20-0406A01	2	36	Lance Assembly w/Quick Connect	16-0366	1
16	Washer	28-0006	5	37	Key	43-0073	1
17	Wheel	14-0052	2	38	Lockwasher	29-0155	4
18	Hub Cap	33-0055	2	39	Bolt w/Pump	27-0846	4
19	Bolt	27-0070	4	40	Decal- Important: Pump Instructions (See 34-9014)	N/A Sep.	1
20	Washer	28-0003	8	41	Pressure Hose Assembly (Inc. 8, 42-43)	851-0007	1
21	Locknut	30-0157	4	42	Quick Connect Plug	17-0006	1
22	Axle	20-0517	1	43	Pressure Hose	15-0003	1
23	Frame Assembly	5-0148A01	1	44	Gun	16-0445	1
24	Decal- Data Plate	N/A	1	45	Quick Connect Plug	17-0005	1
25	Knob	7-0107	2		Safety Decal Kit (Inc. 31-33, 35, 40)	34-9014	

*Must Order in One Foot Lengths

PUMP ASSEMBLY (3-0090)



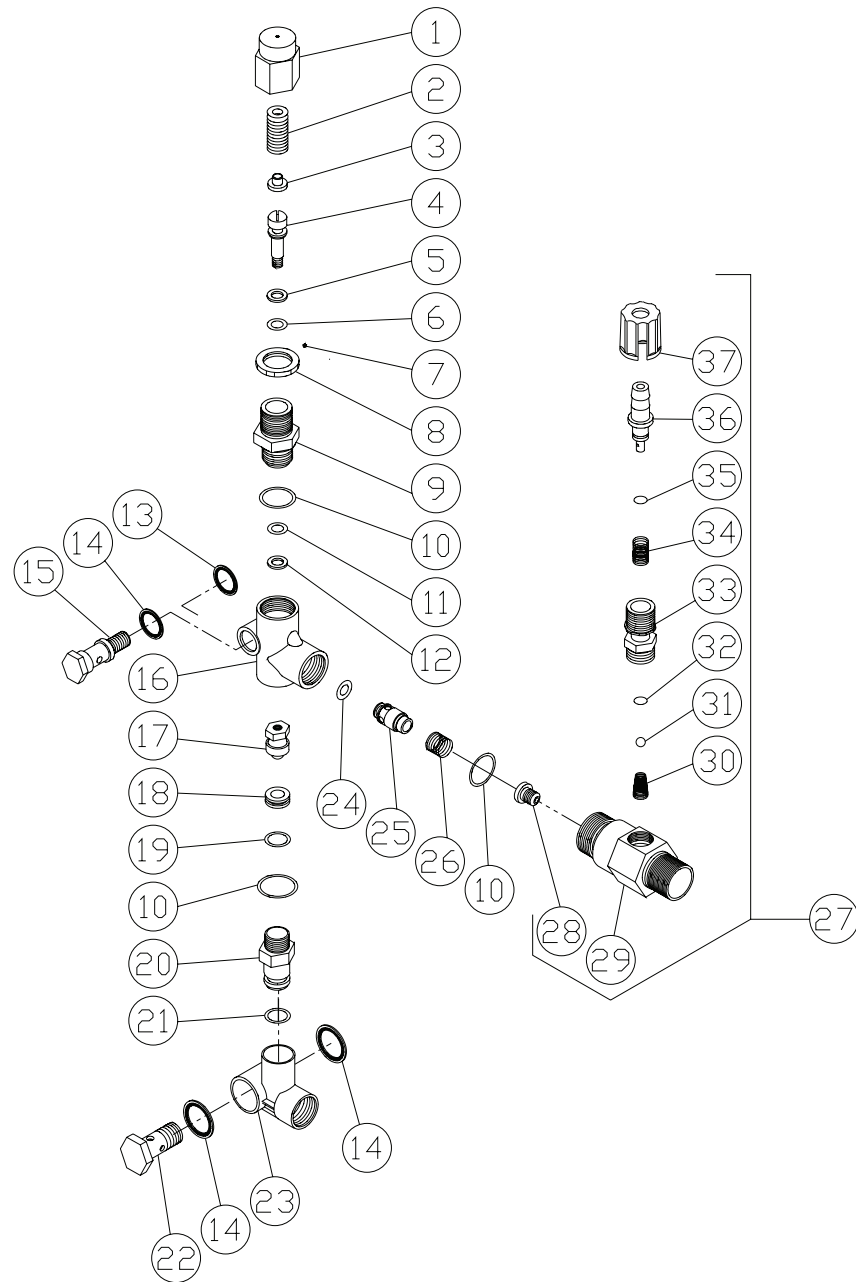
TORQUE SPECS.	
POSITION	FT-LBS
2	29.4
6	14.7
9	8.8
16	33.1
23	13.2
26	11.0
34	7.3
38	14.7
42	7.3

3-0090-051100-RD

PUMP ASSEMBLY (3-0090)

REF. #	DESCRIPTION	PART #	QTY.	REF. #	DESCRIPTION	PART #	QTY.	REF. #	DESCRIPTION	PART #	QTY.
1	Crankcase	46-0221	1	18	Head Ring (See 70-0024)	N/A Sep.	3	35	O-ring Cover	25-0332	1
2	Plug	39-0018	2	19	V-Packing (See 70-0024)	N/A Sep.	3	36	Connecting Rod	46-0152	3
3	O-ring	25-0052	1	20	V-Packing Retainer	46-0158	3	37	Piston Guide	46-0149	3
4	Drip Pan	46-0229	1	21	O-ring	25-0141	3	38	Bolt	27-0846	4
5	Oil Seal	26-0111	3	22	O-ring	25-0128	3	39	Lockwasher	29-0154	4
6	Plug	39-0017	1	23	Oil Level Indicator	46-0114	1	40	Flange	38-0021	1
7	Manifold	46-0163	1	24	Bearing	48-0019	1	41	Lockwasher	29-0153	4
8	Lockwasher	29-0153	12	25	Oil Dip Stick	46-0143	1	42	Bolt	27-8409	4
9	Head Bolt	27-8406	8	26	Nut	46-0168	3	43	Spacer	46-0087	1
10	O-ring (See 70-0009)	N/A Sep.	6	27	Washer	46-0166	3	44	O-ring	25-0060	1
11	Valve Seat (See 70-0009)	N/A Sep.	6	28	Plunger	46-0148	3	45	Oil Seal	26-0126	1
12	Valve Plate (See 70-0009)	N/A Sep.	6	29	O-ring	25-0045	3	46	Snap Ring	46-0245	1
13	Valve Spring (See 70-0009)	N/A Sep.	6	30	Back-up Ring	25-0143	3	47	Bearing	48-0024	1
14	Valve Cage (See 70-0009)	N/A Sep.	6	31	Washer	46-0167	3	48	Crankshaft	46-0233	1
15	O-ring	25-0012	6	32	Connecting Rod	43-0044	3		Valve Kit (Includes 10-14, 17)	70-0009	
16	Valve Cap	39-0035	6	33	Crankcase Cover	46-0151	1		V-Packing Kit (Includes 18-19, 21-22)	70-0024	
17	Valve Assembly (Includes 10-14) (See 70-0009)	N/A Sep.	6	34	Bolt	27-8409	4		V-Packing Assembly (18-22)	70-0023	

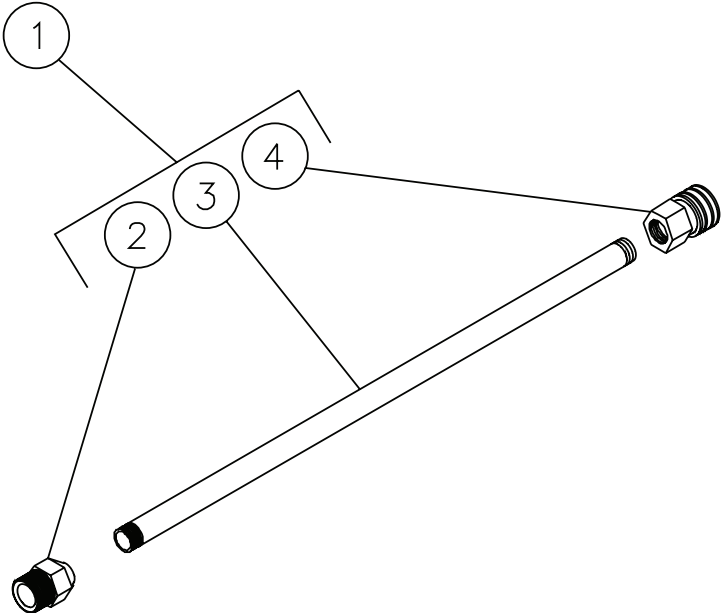
UNLOADER (8-0494) & DETERGENT INJECTOR (46-0590) ASSEMBLY



8-0493-494-102600-RD

UNLOADER (8-0494) & DETERGENT INJECTOR (46-0590) ASSEMBLY							
REF. #	DESCRIPTION	PART #	QTY.	REF. #	DESCRIPTION	PART #	QTY.
1	Adjusting Cap	39-0092	1	21	O-ring	25-0376	1
2	Spring	49-0120	1	22	Connector	23-0285	1
3	Spring Retainer	8-0421	1	23	Bypass Fitting	N/A	1
4	Piston Stem	46-0324	1	24	O-ring	25-0375	1
5	Back-up Ring	25-0206	1	25	Flow Balancer	8-0426	1
6	O-ring (See 70-0168)	N/A Sep.	1	26	Spring	49-0121	1
7	Set Screw	8-0479	1	27	Detergent Injector- 2.1mm	46-0590	1
8	Locknut	46-0651	1	28	Orifice- 1.80mm	50-0146	1
9	Piston Retainer	8-0424	1	29	Injector Body	N/A	1
10	O-ring (See 70-0168)	N/A Sep.	3	30	Spring (See 852-0056)	N/A Sep.	1
11	O-ring (See 70-0168)	N/A Sep.	1	31	Ball (See 852-0056)	N/A Sep.	1
12	Back-up Ring	25-0203	1	32	O-ring (See 852-0056)	N/A Sep.	1
13	Washer	8-0433	1	33	Piston Retainer	N/A	1
14	Washer	8-0427	3	34	Spring	49-0056	1
15	Connector	23-0286	1	35	O-ring (See 852-0056)	N/A Sep.	1
16	Body	N/A	1	36	Barb	50-0157	1
17	Valve and Ball Assembly	46-0320	1	37	Adjustable Knob	50-0158	1
18	Bypass Seat	8-0430	1		Unloader Repair Kit (Inc. 4-6, 10-12, 17-19, 21)	70-0168	
19	O-ring	25-0202	1		Injector Repair Kit (Inc. 30-32, 35)	852-0056	
20	Bypass Fitting	N/A	1				

LANCE ASSEMBLY (16-0366)



16-0366-102700-RD

LANCE ASSEMBLY (16-0366)			
REF. #	DESCRIPTION	PART #	QTY.
1	Complete Lance (Inc. 2-4)	16-0366	1
2	Coupling	16-0378	1
3	Pipe	16-0379	1
4	Quick Connect	17-0001	1