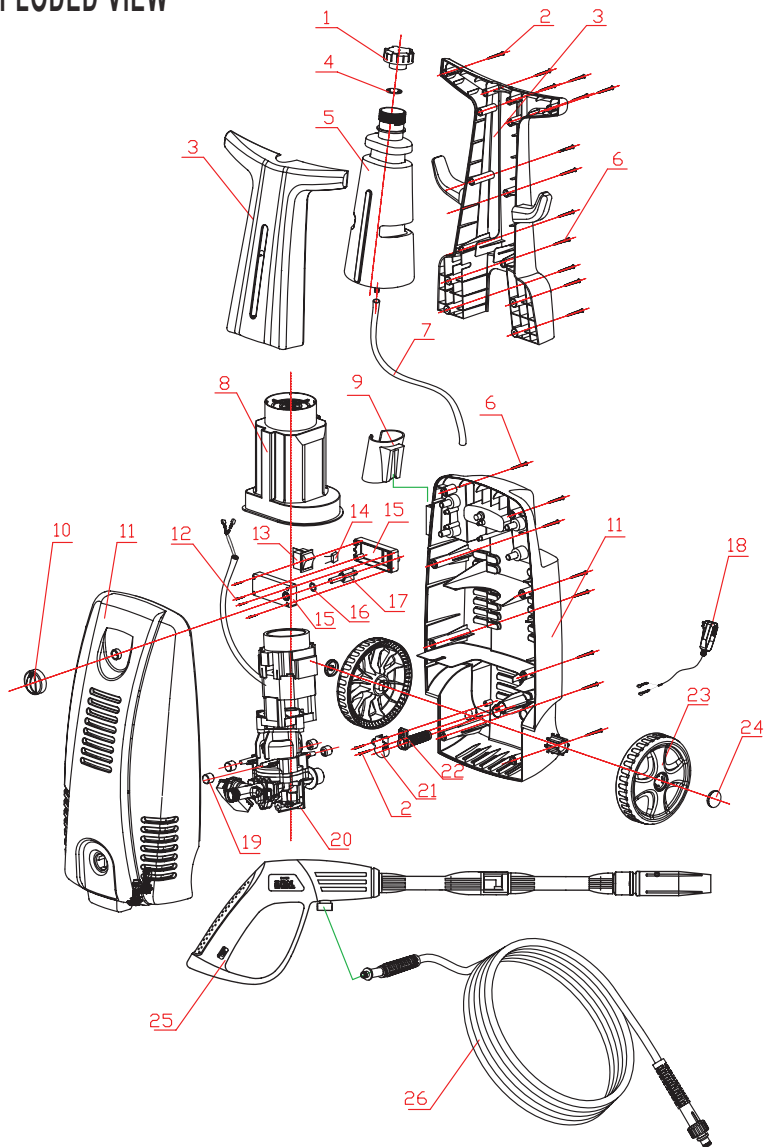


1800PSI PRESSURE WASHER

EXPLODED VIEW



1800PSI PRESSURE WASHER

PARTS LISTING

| APA Part No. | Description | Part No. |
|---------------------|---|-----------------|
| APW5004-01-MT | Capsule | 1 |
| APW5004-02-MT | Screw(ST3.9x12) | 2 |
| APW5004-03-MT | Handle | 3 |
| APW5004-04-MT | Cushion | 4 |
| APW5004-05-MT | Bottle | 5 |
| APW5004-06-MT | Screw(ST3.9x25) | 6 |
| APW5004-07-MT | Tube | 7 |
| APW5004-08-MT | Motor Cover | 8 |
| APW5004-09-MT | Shelves | 9 |
| APW5004-10-MT | Switch Knob | 10 |
| APW5004-11-MT | Case | 11 |
| APW5004-12-MT | Screw(ST2.9x20) | 12 |
| APW5004-13-MT | Switch | 13 |
| APW5004-14-MT | Capacitor | 14 |
| APW5004-15-MT | Switch Case | 15 |
| APW5004-16-MT | O-Ring(\varnothing 7x \varnothing 1.3) | 16 |
| APW5004-17-MT | Staff | 17 |
| APW5004-18-MT | Circuitry Protector and Power Cable | 18 |
| APW5004-19-MT | Rubber Band | 19 |
| APW5004-20-MT | Motor and Pump | 20 |
| APW5004-21-MT | Clip Cover | 21 |
| APW5004-22-MT | Jacket | 22 |
| APW5004-23-MT | Wheel | 23 |
| APW5004-24-MT | Wheel Cap | 24 |
| APW5004-25-MT | Gun | 25 |
| APW5004-26-MT | Hose | 26 |