

# Snap-on®

MODEL 870591  
ITM./ART. 870591

## 2700 PSI PORTABLE PRESSURE WASHER INSTRUCTION MANUAL



**FOR CUSTOMER SERVICE  
PARA EL SERVICIO  
PARA EL CONSUMIDOR  
1-888-278-8092**

Printed in China  
Impreso en China

### Snap-on®

SNAP-ON® IS A TRADEMARK LICENSED BY SNAP-ON® CORP., U.S.A., WHICH DOES NOT MANUFACTURE OR DISTRIBUTE THIS PRODUCT. CONSUMER INQUIRES SHOULD BE DIRECTED TO:

©COPYRIGHT 2012 ALLTRADE TOOLS, LLC.  
1431 VIA PLATA  
LONG BEACH, CA 90810-1462 USA

870591 – 2700 PSI Portable Pressure Washer\_Rev 2012

THIS MANUAL CONTAINS IMPORTANT INFORMATION REGARDING SAFETY, OPERATION, MAINTENANCE AND STORAGE OF THIS PRODUCT. BEFORE USE, READ CAREFULLY AND UNDERSTAND ALL CAUTIONS, WARNINGS, INSTRUCTIONS AND PRODUCT LABELS. FAILURE TO DO SO COULD RESULT IN SERIOUS PERSONAL INJURY AND/OR PROPERTY DAMAGE.

IF YOU SHOULD HAVE ANY QUESTIONS OR EXPERIENCE A PROBLEM WITH YOUR SNAP-ON PRODUCT, DO NOT RETURN THIS PRODUCT TO THE STORE. PLEASE CALL OUR CUSTOMER SERVICE DEPARTMENT AT **1-888-278-8092**. BEFORE YOU CALL, HAVE THE FOLLOWING INFORMATION AVAILABLE: MODEL No., DATE PURCHASED AND STORE LOCATION. AN ALLTRADE REPRESENTATIVE CAN RESOLVE YOUR PROBLEM OVER THE PHONE.

## TABLE OF CONTENTS

<b>CONGRATULATIONS!</b>	2
<b>INTRODUCTION</b>	2
GENERAL SAFETY	2-4
RECOGNIZE SAFETY SYMBOLS, WORDS AND LABELS	2-4
IMPORTANT INFORMATION ABOUT THIS MANUAL	4
UNPACKING & INSPECTION	5
SAFETY WARNINGS	5-7
GENERAL SAFETY RULES	5-7
SAFETY RULES FOR GASOLINE ENGINES	7-11
SYMPTOMS OF CARBON MONOXIDE POISONING	8
ADDING OR DRAINING FUEL TO OR FROM THE ENGINE	8
STARTING THE ENGINE	8-9
MAKING ADJUSTMENTS OR REPAIRS TO THE ENGINE	10
TESTING SPARK PLUG FOR SPARK	10
TRANSPORTING OR REPAIRING EQUIPMENT	10
STORING FUEL OR EQUIPMENT WITH FUEL IN FUEL TANK	11
SAFETY RULES FOR PRESSURE WASHERS	11-13
FUNCTIONAL DESCRIPTION	14
PRESSURE WASHER TERMINOLOGY	15
ASSEMBLY / ATTACHMENTS	15-18
PRESSURE WASHER	15-16
PRESSURE HOSE TO PRESSURE PUMP	16
PRESSURE HOSE TO SPRAY GUN	16
SPRAY WAND TO SPRAY GUN	16
SELECTING THE RIGHT NOZZLE FOR THE JOB	17
NOZZLES TO SPRAY WAND	17-18
PRESSURE PUMP TO WATER SUPPLY	18
PREPARING THE PRESSURE WASHER	18-20
PRESSURE PUMP	18
ADDING ENGINE OIL	18
LOW OIL SENSOR	19
ADDING FUEL	19-20
STARTING	20-21
OPERATING	21-25
USING THE SPRAY GUN	22
WASHING / CLEANING	22-23
PRESSURE ADJUSTMENT	23
USING CHEMICALS AND CLEANING SOLVENTS	23-24
SHUTTING DOWN	24-25
MAINTENANCE	25-26

STORAGE	27-29
ENGINE	27
PRESSURE PUMP	28
PRESSURE WASHER	28-29
PREPARING FOR USE AFTER STORAGE	29
TROUBLESHOOTING GUIDE	30-34
SPECIFICATIONS	34
1 YEAR LIMITED WARRANTY	35-41

## CONGRATULATIONS!

Thank you for choosing this pressure washer. Our aim is to provide you with quality professional products, and we want you to be totally satisfied with your product and our Customer Service. If any help or advice is needed, please contact us at 1-888-278-8092. When properly cared for, this product will give you many years of satisfaction.

## INTRODUCTION

This instruction manual is intended for your benefit. Please read and follow the safety, installation, maintenance and troubleshooting steps described within to ensure your safety and satisfaction. The contents of this instruction manual are based upon the latest product information available at the time of publication. The manufacturer reserves the right to make product changes at any time without notice.

## GENERAL SAFETY

### **WARNING**

### **READ AND FOLLOW ALL INSTRUCTIONS.**

Failure to follow all instructions in this manual may result in severe personal injury or death. Keep this manual and refer to it for Safety Instructions, Operating Procedures, and Warranty.



## SAVE THESE INSTRUCTIONS FOR FUTURE REFERENCE.

### RECOGNIZE SAFETY SYMBOLS, WORDS AND LABELS

The safety instructions provided in this manual are not intended to cover all possible conditions and practices that may occur when operating, maintaining and cleaning power tools.

Always use common sense and pay particular attention to all the **DANGER**, **WARNING**, **CAUTION** and **NOTE** statements in this manual.



This is the safety alert symbol. It is used to alert you to potential personal injury hazards. Obey all safety messages that follow this symbol to avoid possible injury or death.

**⚠ DANGER**

**DANGER** indicates an imminently hazardous situation which, if not avoided, will result in death or serious injury.

**⚠ WARNING**

**WARNING** indicates a potentially hazardous situation which, if not avoided, could result in death or serious injury.

**⚠ CAUTION**

**CAUTION** indicates a potentially hazardous situation which, if not avoided, may result in minor or moderate injury.

**CAUTION**

**CAUTION** used without the safety alert symbol indicates a potentially hazardous situation which, if not avoided, may result in property damage.

**NOTE**

**NOTE** provides additional information that is useful for proper use and maintenance of this tool. If a **NOTE** is indicated, make sure it is fully understood.

In addition to **SAFETY ALERTS** listed above, there could also be numerous symbols alerting the operator that specific safety measures are required to safely operate this tool. Learn these **SAFETY SYMBOLS** as well as the **SAFETY ALERTS** to prevent injury to the operator and to bystanders.



**READ OPERATING INSTRUCTIONS:** Read and understand tool labels, safety warnings and precautions in this manual before operating the tool. Failure to follow **WARNINGS** could result in serious injury or even death to the operator or bystanders.



**FIRE HAZARD:** Heat from engine exhaust can ignite combustible materials, building structures or gas tanks resulting in a fire. Place the tool on a flat surface a safe distance from buildings or other combustible material. Ensure exhaust is directed away from tool.



**ELECTRICAL SHOCK:** This tool produces hazardous electrical voltage. Read and become familiar with this manual's **WARNINGS** and **CAUTIONS** so that it is installed and used properly.



**WEAR APPROVED EYE PROTECTION:** This tool has rotating and moving parts that could become airborne if damaged. Always wear approved eye protection when operating equipment with moving parts. Safety glasses must conform to the requirements of American National Standards Institute (ANSI) Z87.1 and provide protection against flying particles from both front and side.



**POISONOUS FUMES:** This tool uses a gasoline powered engine that produces poisonous fumes from its exhaust. Always make sure there is adequate ventilation when operating this equipment.



**EXPLOSION HAZARD:** Fuel and its vapors are extremely flammable and explosive. Fire or explosion from these vapors can cause severe burns or even death.



**ROTATING PARTS:** Starter and other rotating parts on this tool can entangle loose clothing, long hair and accessories resulting in moderate to severe injury.



**HOT SURFACES:** Engine muffler and other engine parts can become very hot. Coming in contact with hot engine components can cause serious burns. Hot exhaust gases from the engine can cause clothing to ignite if in contact for any length of time.



**KICKBACK:** Starter cord can kickback (recoil) very rapidly. Kickback will recoil starter cord quicker than you can let go. This action can result in broken bones, bruises, sprains or fractures.



**UNIT IS HEAVY:** Take care when lifting or moving unit.



**INJECTION HAZARD:** Pressure washers can produce fluid streams severe enough to penetrate animal and human flesh.



**SLIPPING and FALLING:** Pressure washers produce puddles of slippery liquid that can result in falls. Kickback from spray wand can result in falls when using unstable platforms.

## IMPORTANT INFORMATION ABOUT THIS MANUAL

**⚠ WARNING**

**Improper and unsafe use of this pressure washer can result in death, fire and/or bodily injury. This instruction manual contains important information about product safety. Keep the instruction manual available for others to read before they use the pressure washer.**

Improper maintenance and operation are responsible for the majority of accidents involving gas pressure washers. The largest portion of these could be prevented by recognizing the basic safety rules and precautions. Most accidents can be avoided if the operator recognizes a potentially hazardous situation before it happens and by observing appropriate safety rules and procedures as outlined in this manual.

Basic safety precautions are outlined in the **SAFETY** portion of this manual and throughout the text in this manual where a potential hazard might occur.

Hazards that **MUST** be avoided to prevent serious injury follow headers marked **DANGER or WARNING**. These same precautions are placed as labels on the tool itself.

**NEVER** use this pressure washer for applications that are **NOT** specified in this manual.

## UNPACKING & INSPECTION

After opening the carton, unpack your new pressure washer and related parts & accessories. Please inspect it carefully for any damage that may have occurred during transit. If any parts are missing, please contact our Consumer Helpline: Phone: 1-888-278-8092

**⚠ WARNING** Do not operate this pressure washer if damaged during shipment, handling or misuse. Damage may result in bursting, which can cause serious injury or property damage. All damaged parts must be repaired or replaced as needed prior to operating this pressure washer.

Check to see that all nuts, bolts and fittings are secure before putting this pressure washer into service. If you have any questions, or require assistance with damaged or missing parts, please contact our Consumer Helpline: Phone: 1-888-278-8092

Please have the serial number, model number, date of purchase, and parts list (with missing parts identified) available for reference when calling.

MODEL NUMBER: \_\_\_\_\_

SERIAL NUMBER: \_\_\_\_\_

DATE OF PURCHASE: \_\_\_\_\_

## SAFETY WARNINGS

# READ ALL SAFETY WARNINGS BEFORE USING PRESSURE WASHER.

## GENERAL SAFETY RULES

### ⚠ WARNING

People with electronic devices, such as pacemakers, should consult their physician(s) before using this product. Operation of electrical equipment or the electromagnetic wave created by the engine spark plug in close proximity to a heart pacemaker could cause interference or failure of the pacemaker.

**WARNING:** This product contains chemicals known to the State of California to cause cancer and birth defects or other reproductive harm.

**WARNING:** The Engine Exhaust from this product contains chemicals known to the State of California to cause cancer, birth defects or other reproductive harm.

### ⚠ WARNING

**Keep work area clean and well lit.** Messy areas and cluttered workbenches invite personal injury and/or property damage. Clear all work areas of unnecessary tools, debris, furniture, etc.

**Make sure the work area is well ventilated.** Never operate in an enclosed area.

**Do not place objects on top or against the tool.**

**Handle correctly.** Always operate according to the instructions provided. Never allow the tool to be operated by children, individuals unfamiliar with its operation or unauthorized personnel.

**Keep children and visitors away.** All children should be kept away from the work area. **DO NOT** let children handle the tool. Maintain a safe distance for any person near the work area.

**Childproof the workshop.** The use of master switches and padlocks is highly recommended. Remove starter keys where applicable.

**Stay alert, watch what you are doing, and use common sense. Do not stand on tool. Do not use tool while tired or under the influence of drugs, alcohol or medication.** A moment of inattention while operating the tool may result in serious personal injury.

**Operating any tools or equipment under the influence of drugs, alcohol, or medication can cause personal injury to yourself and others.**

**Use the right tool. Use tools properly and for their intended task.** Do not force a small tool to do the job of a heavy-duty tool. Using the right tool to do the right job will make doing the job safer.

**Always make sure the tool is in the OFF position when making adjustments, changing parts, or performing any maintenance.**

**Service must be performed only by qualified repair personnel.** Service or maintenance by unqualified personnel may result in a risk of injury.

**Do not use the tool if the power switch does not turn it "ON" or "OFF".** A tool that cannot be controlled with the switch is dangerous and must be repaired.

**Store all maintenance tools away from the immediate area before turning ON the tool.**

**Do not overreach.** Proper footing and balance is a must at all times while using tools. Unstable support may lead to personal injury. Do not stand on the tool. Serious injury could result if the tool tips over or you accidentally contact tool.

**When using accessories, consult the owner's manual provided by the manufacturer.** The use of improper accessories may cause risk of injury to yourself and others.

**⚠ WARNING**

**Keep protective guards in place and in proper working condition.**

**Maintain tools and equipment with care.** They will function better and more safely when kept clean and in good working condition. Keeping the tool clean, dry, and free of grime will add to its life and performance.

**Do not use the tool for applications other than specified.**

**SAFETY RULES FOR GASOLINE ENGINES**

**⚠ WARNING**

Carbon monoxide is a product of incomplete combustion, such as exhaust from the engine. Carbon monoxide is colorless, odorless and tasteless and can kill in a matter of minutes.



Gas particulate filters and respirators will not protect someone from carbon monoxide poisoning. If symptoms of carbon monoxide poisoning appear, take the affected person outdoors immediately and away from all structures and equipment that could produce the gas. Call for emergency medical treatment and make them aware of the situation.

Operate pressure washer only outdoors. Do not allow exhaust gas fumes from entering confined areas through windows, open doors, ventilation ducts and other openings.

Do not start or run engine indoors or an enclosed area, such as a garage (even if windows and doors are open). This also applies to the engine compartment of a recreational vehicle (RV).

The engine exhaust from this product contains chemicals known to the State of California to cause cancer, birth defects or other reproductive harm.

**NOTE**

Install a battery powered Carbon Monoxide (CO) detector near all bedrooms to alert occupants of dangerous levels of carbon monoxide. Carbon monoxide is a colorless, odorless, very poisonous gas.

The Emission Control System for engine is warranted for standards set forth by the EPA/Environmental Protection Agency and CARB/California Air Resources Board.

**SYMPTOMS OF CARBON MONOXIDE POISONING**

Carbon monoxide (CO) is a colorless, odorless, tasteless, extremely toxic gas that can **KILL** in a matter of minutes. Breathing air containing carbon monoxide produces symptoms of headache, dizziness, loss of muscular control, a sleepy feeling and finally coma. Moderate or severe brain damage can result from inhaling air containing carbon monoxide. Carbon monoxide is a product of incomplete combustion of fuels and occurs in exhaust fumes of fuel-burning heaters and all internal combustion engines. Carbon Monoxide collects in spaces where there is no constant air flow or ventilation. **If you start to feel sick, dizzy or weak due to exposure to CO while using gasoline engine, GET TO FRESH AIR IMMEDIATELY.**

**ADDING OR DRAINING FUEL TO OR FROM THE ENGINE**

**⚠ WARNING**



Fuel and fuel vapors are extremely flammable and explosive. Fire and explosion can result in severe burns and even death.

- Turn engine to the **OFF** position and let cool at least two minutes before removing fuel cap. Loosen cap slowly to relieve pressure in fuel tank.
- **DO NOT** fill or drain fuel tank inside enclosed structures. Accidental sparks can result in fires or explosions leading to severe burns and even death.
- **DO NOT** overfill fuel tank. Leave ample space for expansion of fuel.
- **DO NOT** start engine in area of fuel spillage. Fire and explosion can occur.
- Keep fuel away from sparks, open flames, pilot lights, heat and other ignition sources. **DO NOT** smoke while operating the engine.
- **DO NOT** tip engine or equipment at angle that could result in fuel spilling from fuel tank.

**STARTING THE ENGINE**

**⚠ WARNING**

Starter cord kickback (rapid retraction) can pull your hand and arm toward the engine faster than it can be let go of. Failure to be aware of this function can result in broken bones, fractures, bruises and sprains can result.



- When starting the engine, pull cord slowly until resistance is felt, then pull rapidly to avoid kickback.

**⚠ WARNING**

Unintentional sparking can result in fire or electric shock. Failure to observe this warning can result in property damage, severe burns and/or death.



- Ensure spark plug is in place before attempting to start engine.
- Ensure muffler is secured to engine before starting.
- Ensure fuel cap is on fuel tank and tightened securely.
- Ensure air cleaner is clean and properly attached to engine.



A dirty air cleaner element changes the air to fuel ratio and promotes incomplete combustion of fuel increasing the output of carbon monoxide. Always make sure air cleaner element is clean before every operation of the engine.

- **DO NOT** crank engine with spark plug wire removed. The resulting spark could ignite spilled fuel.

**⚠ WARNING**

Do not contact muffler area with engine running. Muffler gets extremely hot and can cause severe burns. Exhaust gases can ignite combustible items such as clothing or structures in close proximity. Gases leaking from worn muffler can heat up and damage fuel tank resulting in fire or explosion.



- **DO NOT** touch hot parts of engine or muffler.
- **AVOID** hot exhaust gases.
- Keep a minimum of 5 ft. (1.5M) clearance on all sides of the engine including top.

**⚠ WARNING**

Starter and other rotating parts of engine can entangle hair, hands, clothing and accessories.



- **NEVER** operate with protective housing or covers removed.
- **DO NOT** use while wearing loose clothing or jewelry that may get caught up in starter or other rotating parts. Tie up long hair or wear hair net or cap.

**MAKING ADJUSTMENTS OR REPAIRS TO THE ENGINE**

**⚠ WARNING**

Excessively high operating speeds increase risk of injury and damage to engine. Excessively low speeds produce heavy load on engine.

- **DO NOT** attempt to alter pre-set governed speed. Engine governor is factory set to supply optimum output horse power (HP) when running at governed speed.
- **DO NOT** modify engine in any way.

**TESTING SPARK PLUG FOR SPARK**

**⚠ WARNING**

- **DO NOT** check spark plug for spark by removing from head cylinder.
- Disconnect spark plug wire from spark plug and cover tip with non-conducting material such as electrical tape to prevent it from coming in contact with spark plug, fuel tank or other parts of the engine where damage can result from sparking.
- Replace a defective spark plug only with authorized parts.
- Use approved spark plug tester.

**TRANSPORTING OR REPAIRING EQUIPMENT**

**⚠ WARNING**

**RISK OF PROPERTY DAMAGE WHEN TRANSPORTING PRESSURE WASHER**

Turn off the pressure washer before transport. Use caution when moving the pressure washer. Oil can leak or spill and could result in fire or breathing hazard, serious injury or death. Oil leaks will damage carpet, paint, or other surfaces in vehicles or trailers. Be sure to use the handle to lift or carry the pressure washer.

**⚠ CAUTION**

- The wheel kit is not designed for over-the-road use. Pressure Washer must be transported in a vehicle or on a trailer.
- **Unit is heavy.** Take care when lifting or moving unit.
- Transport or repair with fuel tank **EMPTY** to prevent an unintentional spark igniting fuel vapors resulting in a fire or an explosion.
- Transport or repair with spark plug wire **DISCONNECTED.**



## STORING FUEL OR EQUIPMENT WITH FUEL IN FUEL TANK

**⚠ WARNING** Store away from furnaces, stoves, water heaters, clothes dryers, and all other appliances with pilot lights or other ignition sources. These appliances can heat fuel tanks and ignition sources can ignite fuel vapors.

## SAFETY RULES FOR PRESSURE WASHERS

### ⚠ DANGER

#### RISK OF FIRE OR EXPLOSION



Always store fuel away from the pressure washer and in an approved container.

Fuel and fuel vapors are extremely flammable and explosive.

Fire and explosion can result in severe burns and even death.

Make sure all ventilation openings are clear and free from restrictions. Restricted ventilation openings can cause overheating and/or fire.

### ⚠ WARNING



**Do not operate the pressure washer in explosive areas, such as in the presence of flammable liquids, gases or dust.** Pressure washers can create sparks which may ignite the dust or fumes.

**Wear proper apparel.** Remove your jewelry before using pressure washer. Do not wear loose clothing, necklaces, rings, bracelets, or other jewelry, which may get caught in moving parts. Nonskid footwear and electrically non-conductive gloves are highly suggested while working. Wear protective hair covering to contain long hair.

**Be responsible for your hearing.** Wear hearing protection during extended periods of operation.

**Do not use the pressure washer if excessive noise or vibration is present.** Have it repaired immediately.

**Store the pressure washer indoors, in a dry, secured area away from other equipment.** Never store the pressure washer near an open flame or flammable materials.



Keep pressure washer a minimum of 5 feet (1.5 m) of clearance on all sides including overhead.

## SPECIAL REQUIREMENTS

There may be Federal or State Occupational Safety and Health Administration (OSHA) regulations, local codes or ordinances that apply to intended usage of internal combustion engines. Consult a local agency responsible of usage of this type of equipment.

### ⚠ WARNING

#### RISK OF INJURY



**Pressure washer produces fluid pressures and velocities high enough to penetrate human and animal flesh which could result in serious injury or amputation.**

Ensure all connections are tightened securely. Inspect all hoses to ensure they are not damaged or kinked. Loose connections or damaged hoses can result in injection injuries.

Ensure all fittings are properly connected. Pull on connection to ensure fittings are secure. Improperly connected fittings can unexpectedly separate resulting in injury.

**NEVER** place hands in front of nozzle.

**NEVER** attempt to attach or remove spray wand or hose fittings while pressure washer system is pressurized.

**DO NOT** treat fluid injection injuries as a simple cut. See immediate medical attention.

**DO NOT** allow pressure hose to come in contact with engine muffler.

**HIGH VELOCITY fluid spray can cause objects to break, propelling particles at high speeds.**

**ALWAYS** wear approved safety glasses when using or doing maintenance on pressure washers.

**NEVER** substitute safety glasses for **GOGGLES**. Injury to eyes could occur.



**ALWAYS** wear protective clothing to prevent accidental spraying.

**DO NOT** permanently secure spray wand trigger in open position.

**DO NOT** use spray wand that does not have a trigger lock or trigger guard in place and in proper working order.

## ⚠ WARNING

**DO NOT** use acids, toxic or corrosive chemicals, poisons, insecticides, flammable solvents or bleach with pressure washer. Use of these chemicals can result in damage to equipment or serious injury or death.



**DO NOT** direct spray toward electrical outlets, switches or products connected to electrical service. Failure to observe this warning can result in electrocution resulting in severe electrical shock or burns and possibly resulting in death.

**NEVER** run the pressure pump without the water supply connected and turned on. Non-repairable damage to the pump will occur.

## RISK OF FALLING

**Pressure washer can create puddles of slippery solutions that can become hazardous.**



Ensure you stand on a stable surface while operating pressure washer. Initial kickback from engaging spray wand can you to lose your balance and fall resulting in minor to severe injuries.

Use extreme caution if you must operate pressure washer from a ladder or scaffolding. Kickback from spray wand can result to loss of balance and result in a fall that could cause serious injuries.

When cleaning pressure washer, ensure there are adequate slopes for drainage so solutions don't create puddles around unit that could result in slipping and falling.

Firmly hold spray wand with both hands when using high pressure spray avoiding injury should spray wand kick back.

## ⚠ CAUTION

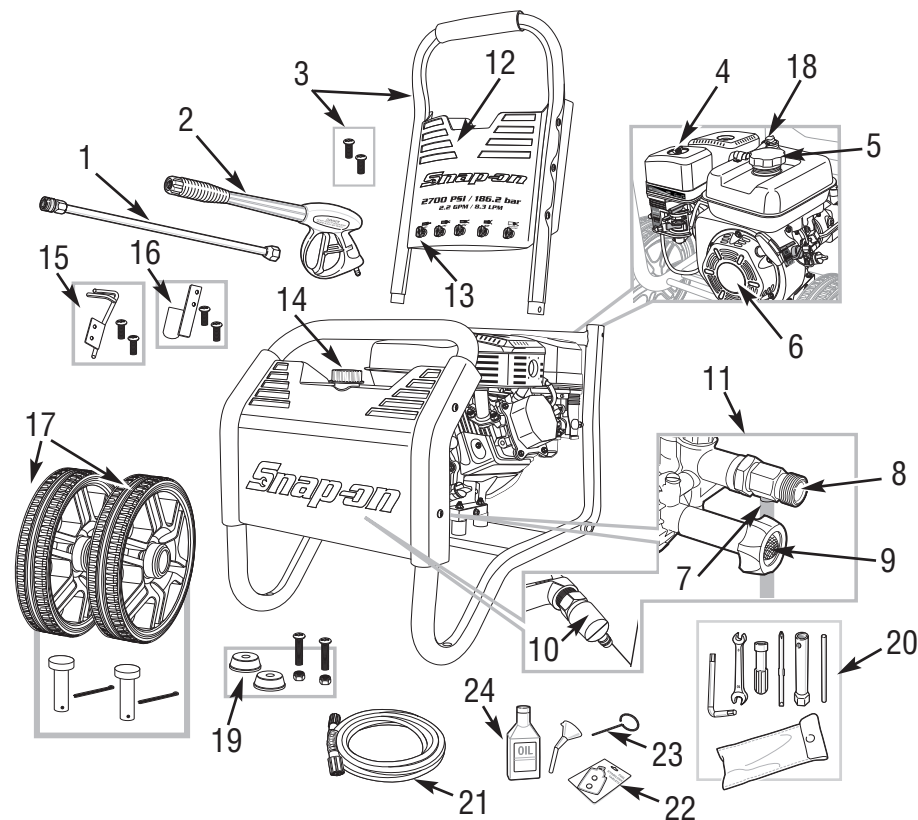
The pressure washer must be run with the rubber feet resting on a flat and stable horizontal surface.

The pressure washer must be used in a clean and well-ventilated area. Keep pressure washer a minimum of 5 feet (1.5 m) of clearance on all sides including overhead.

**DO NOT** place pressure washer in an area:

- Where there is evidence of oil or gas leaks.
- Where flammable gas vapors or materials may be present.
- Where extremely dirty air or water could be drawn into the pressure washer.

## FUNCTIONAL DESCRIPTION



## PRESSURE WASHER FEATURES:

1. Spray Wand
2. Spray Gun
3. Handle Kit
4. Carburetor Air Filter
5. Fuel Tank Cap
6. Gasoline Engine
7. Detergent Inlet Fitting
8. High Pressure Outlet
9. Water Hose/Filter Inlet
10. Thermal Relief Valve
11. Pressure Pump
12. Pressure Hose Housing
13. Pressure Nozzles (5)
14. Detergent tank Cap
15. Gun Holder kit (Top)
16. Gun Holder kit (Bottom)
17. Wheel Kit
18. Carb Fume Removal Tube
19. Leg Kit
20. Tool Kit
21. High Pressure Hose
22. Fuel Stabilizer Tablets(2)
23. Cleaning Needle
24. Engine Oil and Funnel



## PRESSURE WASHER TERMINOLOGY

Following are common terms associated with the use of pressure washers:

**PSI:** Pounds per square inch – common unit measure used for water pressure, air pressure, hydraulic pressure and pounds of force.

**GPM:** Gallons per minute (liters per minute [metric]) – common unit measure used for flow rate of water.

**Bypass Mode:** In bypass mode, high pressure pump recirculates water because spray gun trigger is not squeezed.

**Thermal Relief Valve:** When in Bypass Mode, this valve releases a jet of water to prevent water temperatures from reaching harmful levels that damage the pump. Once the water has cooled, the thermal relief valve will reset itself. Do not allow pump to run without spraying (in Bypass Mode) for more than 5 minutes.

## ASSEMBLY / ATTACHMENTS

This pressure washer requires some assembly (tools provided) and will be ready for use after servicing with manufacturer approved oil and fuel. If you have any problems with the assembly of your pressure washer, please call the pressure washer helpline at **1-888-278-8092**. If calling for assistance, please have the model, revision, and serial number from the data tag available.

### PRESSURE WASHER

#### ⚠ WARNING

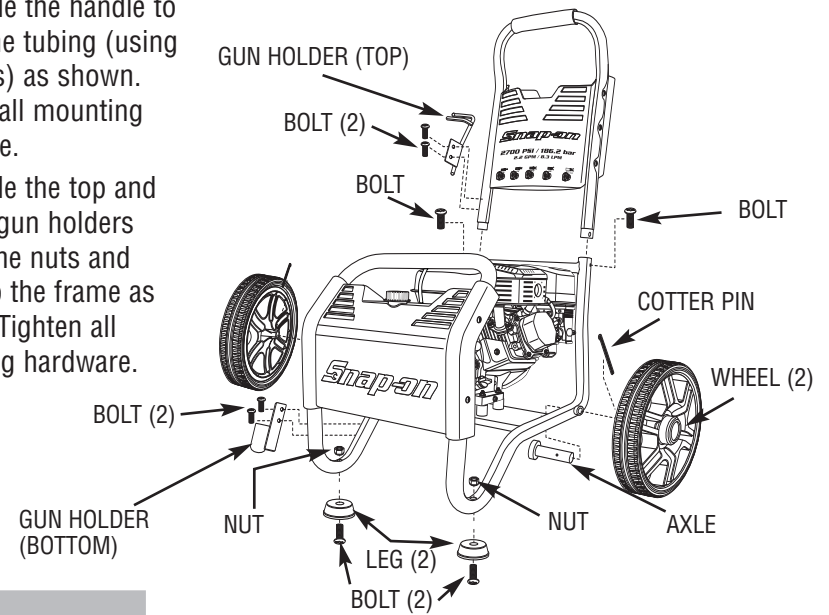
**Unit is heavy.** Do not attempt to lift and remove the pressure washer unit from the carton.



- Using a box cutter, open carton completely by cutting the four corners allowing the sides to lay flat. Leave pressure washer on the carton.
- Remove all items except the pressure washer from the box and inspect for completeness (See Functional Description).
- Carefully tip the pressure washer forward and place on its front side and proceed to assemble the unit using the provided tools.
- Insert the axles through the holes in the bottom frame from inside tubing as shown. Assemble the wheels to the axle from outside (using the cotter pins). To secure the Wheels to the axles, insert the Cotter Pins inside the small holes in the axles and bend back the end of the Cotter Pins using a pair of pliers (not provided).
- Assemble the Legs to the bottom frame tubing (using the nuts and bolts) as shown. Tighten all mounting hardware.
- After completion of wheel/leg assembly, carefully place the pressure washer on its wheels and legs.

- Assemble the handle to the frame tubing (using the bolts) as shown. Tighten all mounting hardware.

- Assemble the top and bottom gun holders (using the nuts and bolts) to the frame as shown. Tighten all mounting hardware.



### PRESSURE HOSE TO PRESSURE PUMP

Connect the hose to the pressure pump outlet and **FIRMLY** tighten the nut by hand.

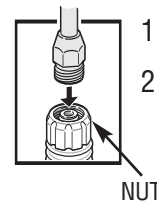


### PRESSURE HOSE TO SPRAY GUN

Connect the hose to the spray gun and **FIRMLY** tighten the nut by hand.



### SPRAY WAND TO SPRAY GUN



- Remove the protective plastic cap at the inlet of the wand.
- Connect the spray wand to the spray gun and **FIRMLY** tighten the nut by hand.

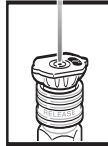
## SELECTING THE RIGHT NOZZLE FOR THE JOB

### NOTE

To prevent damage to your surface and to select an appropriate nozzle size for your application, always start with lowest pressure nozzle size (White) and continue changing to the higher nozzle size until the best work result is achieved.

The Pressure Washer comes furnished with five spray nozzles. Each nozzle is color coded and delivers a specific spray pattern and pressure for a particular cleaning job. The size of the nozzle determines the size of the fan spray and the pressure out of the nozzle.

**0° Nozzle – Red:** This nozzle delivers a pinpoint stream of pressurized water and is extremely powerful. It covers only a small area of cleaning. This nozzle should only be directed at surfaces that can withstand high pressure such as metal or concrete. Do not use this nozzle to clean wood.



**15° Nozzle – Yellow:** This nozzle delivers a powerful 15 degree spray pattern for intense cleaning of small areas. This nozzle should only be used on areas and materials that can withstand high pressure.

**25° Nozzle – Green:** This nozzle delivers a 25 degree spray pattern for intense cleaning of larger areas. This nozzle should only be used on areas that can withstand pressure from this nozzle.



**40° Nozzle – White:** This nozzle delivers a 40 degree spray pattern and a less powerful stream of water. This nozzle can cover a wide area and should be used for most general cleaning jobs.



**Chemical Nozzle – Black:** This nozzle is used to apply special chemicals and cleaning solutions. This nozzle produces the weakest pressure stream of the five nozzles.

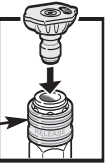
The Pressure Washer nozzles are stored in receptacles on a panel mounted to the handle of the washer. Colors on the panel identify nozzle location and spray panel.

## NOZZLES TO SPRAY WAND

### ⚠ WARNING

**Never place hands in front of nozzle. Never grasp hose or fittings during Pressure Washer operation.** Never attempt to attach or remove spray wand or hose fittings while Pressure Washer system is pressurized.  
**Turn off Pressure Washer and lock the Gun Trigger** before attempting to change pressure nozzles.

1. To attach, insert nozzle into female quick-disconnect spray wand and press to snap in the nozzle.
2. To detach, slide down slip ring on female quick-disconnect to eject the nozzle.



SLIP RING

## PRESSURE PUMP TO WATER SUPPLY

1. Connect the garden hose to the water supply and turn water supply on to fill the hose with water and also remove any debris in the hose. Turn OFF water supply.
2. Make sure that the filter inside Pressure Washer water inlet is clean and undamaged. Thread the garden hose fitting into water hose inlet. **FIRMLY** hand tighten the inlet nut.
3. Turn on water supply.



### NOTE

The Pressure Washer requires a minimum of 20 PSI and a flow rate of 5 GPM.

## PREPARING THE PRESSURE WASHER

### ⚠ WARNING

**Improper treatment of Pressure Washer can damage internal components and shorten the life of unit.** Failure to follow this warning will void warranty.

## PRESSURE PUMP

The pressure pump requires no preparation. If you notice any sign of oil leakage in and around the pump, **DO NOT** operate the pressure washer. Please call the pressure washer helpline at 1-888-278-8092.

## ADDING ENGINE OIL

1. Move the Pressure Washer **OUTSIDE** and place on a flat and level surface.
2. Remove the engine oil dip stick and place funnel in the oil reservoir.
3. Pour the supplied engine oil (30 weight)) until oil level reaches the threads inside the oil reservoir.
4. Hand tighten oil dip stick and wipe off any spilled oil.



DIP STICK

## LOW OIL SENSOR

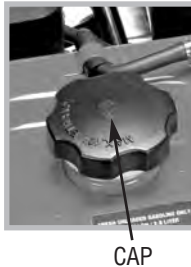
To prevent the engine damage caused by an insufficient amount of oil in the crankcase, engine is equipped with a low oil sensor. If the oil is below the safe amount, the sensor will activate and will prevent engine start-up or will stop the running engine.

If Pressure Washer shuts off and the oil level is within specifications, check to see if Pressure Washer is sitting at an angle that forces oil to shift.

Place on an even surface to correct this. If engine fails to start, the oil level may not be sufficient to deactivate low oil level sensor. Add oil as described above.

## ADDING FUEL

1. Move the Pressure Washer **OUTSIDE** and place on a flat and level surface.
2. Remove the gas tank cap. Carefully add 87 Octane (or higher) grade **unleaded** gasoline to the tank. **DO NOT OVERFILL.** Leave room for the gasoline to expand.
3. Replace and hand tighten gas cap and wipe off any spilled fuel.



### **⚠ WARNING**

**Fuel and fuel vapor are extremely flammable and explosive. Fire or explosion from misuse of fuel can cause severe burns and even death.**

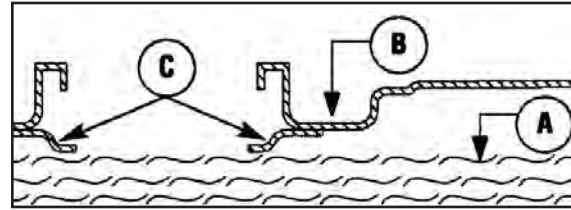


**Failure to use fuel as recommended in this manual will void the warranty.**

### **WHEN ADDING FUEL TO PRESSURE WASHER, OBSERVE THE FOLLOWING:**

- **DO NOT** use unapproved gasoline such as E85 (85% ethanol/15% gasoline).
- **DO NOT** mix oil with gasoline.
- **DO NOT** modify engine to run on alternate fuels.
- Turn Pressure Washer **OFF** and let it cool for at least two minutes before removing fuel cap. Loosen fuel cap slowly to release pressure.
- Keep fuel away from sparks, open flames, pilot lights, heat and other ignition sources.
- **DO NOT** light a cigarette or smoke near open fuel tank or container.
- Clean area around fuel fill cap and slowly remove cap to allow any pressure to escape.
- Install fuel cap and allow any spilled fuel to evaporate before starting engine.

- **DO NOT** overfill fuel tank. Slowly add unleaded gasoline **(A)** to fuel tank **(B)**. Use extreme caution not to fill fuel above baffle **(C)**. This allow appropriate space for fuel expansion.



## STARTING

### **PRIOR TO STARTING THE PRESSURE WASHER, MAKE SURE THAT YOU HAVE:**

1. Selected a proper size nozzle for the job at hand (see "SELECTING THE RIGHT NOZZLE")
2. Attached the Pressure Washer to the water source and turned on the source (see "ATTACHING THE PUMP TO WATER SUPPLY").

### **⚠ WARNING**

**DO NOT** run the pump without the water supply connected and turned on. Damage to the Pressure Washer resulting from failure to follow this instruction **WILL** void the warranty.

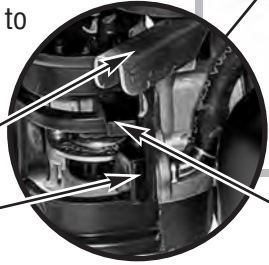
3. For your protection, wear protective safety glasses (provided).
4. Move the Pressure Washer **OUTSIDE** in a fully **VENTILATED** area.
5. Place the Pressure Washer on a **FLAT** and level surface and close to the working surface. Keep a minimum of **5 ft. (1.5 meters) CLEARANCE** on all sides of the engine including top. Face the engine exhaust outlet **AWAY** from dwellings.
6. Make sure the Throttle lever is set to the "**FAST**" position (left).
7. Slide the Fuel Valve lever to "**ON**" position (right) to allow the fuel to flow to the engine.
8. Slide the Choke Lever to "**START**" position (left).
9. Turn the Engine **ON/OFF** switch clockwise to **ON** position.
10. Point nozzle to a safe direction and squeeze the Spray Gun trigger to allow for easier engine start.

11. To start the engine, pull Starter cord slowly until resistance is felt, then pull rapidly to avoid kick back. Repeat until engine starts to run. Release the trigger.

12. Slide Choke Lever to "RUN" position (right).

SPEED CONTROL

FUEL VALVE



CHOKE

STARTER CORD



ON/OFF SWITCH

## OPERATING

### ⚠ WARNING

Do not leave Pressure Washer in bypass mode for more than two minutes at a time. Water temperature inside the pressure pump will rise to a dangerous level resulting in damage to the internal components of the pump. Failure to follow this warning will void warranty.

**DO NOT** run the pressure pump without the water supply connected and turned on. Damage to the Pressure Washer resulting from failure to follow this instruction **WILL** void the warranty.

**ALWAYS** wear approved safety glasses when operating Pressure Washers. Spray can splash back or propel objects, including incorrectly attached accessories.



### ⚠ WARNING

The high pressure stream of water that this equipment produces can cut through skin and its underlying tissues, leading to possible amputation.



Spray gun traps high water pressure, even when the motor is stopped and water is disconnected, which can cause injury.

Kickback from spray gun can cause you to fall.



## USING THE SPRAY GUN

**⚠ WARNING** To prevent accidental discharge of high pressure water, the trigger lock on the trigger should be engaged whenever the pressure washer is not in use.

To disengage the Trigger Lock, push the lock down and into its original position.

### TO OPERATE THE TRIGGER:

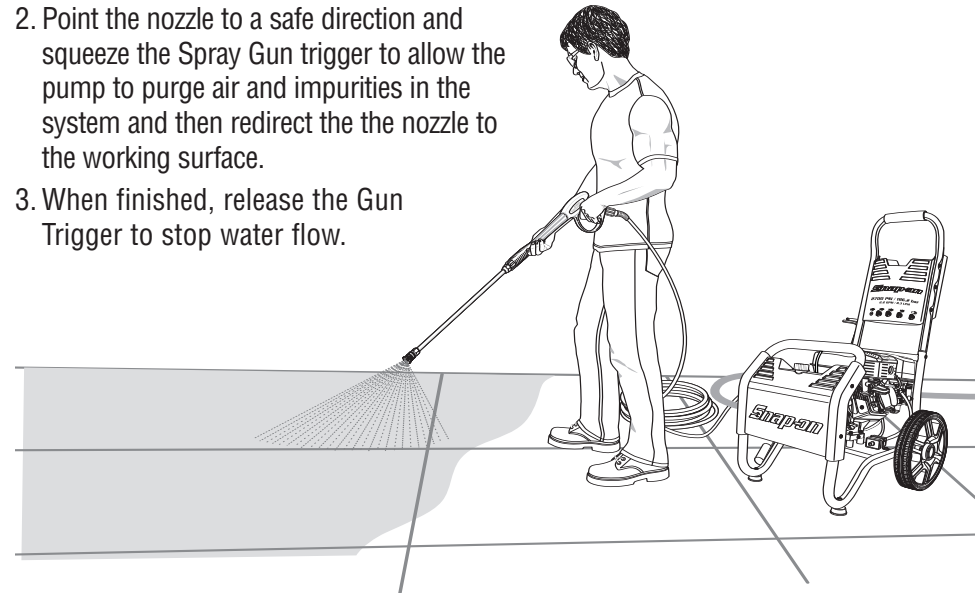
1. Squeeze the trigger to start water flow through the nozzle.
2. Release the trigger to stop water flow.



## WASHING / CLEANING

**⚠ WARNING** **SOME ENGINE PARTS CAN BECOME EXTREMELY HOT.** Do not allow the pressure hose come in contact with engine exhaust system which can cause damage to the hose. Damaged hoses can burst and can cause injection injuries.

1. Firmly grip Spray Gun with both hands.
2. Point the nozzle to a safe direction and squeeze the Spray Gun trigger to allow the pump to purge air and impurities in the system and then redirect the the nozzle to the working surface.
3. When finished, release the Gun Trigger to stop water flow.



### USAGE TIPS:

- For most effective cleaning, keep spray nozzle from 8 to 24 inches away from cleaning surface.
- If you get spray nozzle too close, you may damage surface being cleaned.
- **DO NOT** get closer than 6 inches when cleaning tires.

### PRESSURE ADJUSTMENT

**Increase distance:** To vary the pressure on the surface being cleaned, vary the distance between spray wand and the surface being cleaned.

**Change pressure wand nozzle:** Completely shut down Pressure Washer and stop gasoline engine. Change spray nozzle for desired pressure (see "SELECTING THE RIGHT NOZZLE"). Restart engine.

### USING CHEMICALS AND CLEANING SOLVENTS

#### NOTE

Use only soaps and chemicals designed for use with Pressure Washers. **DO NOT USE CHLORINE BLEACH.**

Chemicals, soaps and cleaning solvents will not siphon when a high pressure nozzle is used. Use the Chemical Nozzle (Black).

### TO APPLY DETERGENT:

1. Prepare detergent solution as recommended by the manufacturer.
2. Remove the detergent tank lid located in front of the Pressure Washer.
3. Fill tank with prepared detergent solution. A small funnel may help with this task. Replace the detergent tank lid.
5. Lock the trigger and attach the Detergent Nozzle (Black) to the Wand.
6. Unlock the trigger and squeeze spray gun trigger and apply detergent to a dry surface, starting at lower portion of area to be washed and work upward, using long, even, overlapping strokes.

#### NOTE

Wetting the surface first is not recommended, as it dilutes the detergent and reduces its cleaning ability.

7. Allow detergent to "soak in" for 3-5 minutes before washing and rinsing. Reapply as needed to prevent surface from drying. Do **Not** allow detergent to dry on surface (prevents streaking).

### TO RINSE:

1. Replace the nozzle with an appropriate high pressure nozzle (see "SELECTING THE RIGHT NOZZLE"). Squeeze the trigger and wait for the detergent to clear.
2. Keep the spray gun a safe distance from the area you plan to spray.
3. Apply a high pressure spray to a small area, and then check the surface for damage. If no damage is found, it is okay to continue cleaning.
4. Start at the top of the area to be rinsed, working down with same overlapping strokes as you used for washing and applying detergent.

### TO FLUSH SYSTEM

When you have completed the use of detergent injection system:

1. Turn off the engine and fill the detergent tank with clean water.
2. Remove the nozzle and then turn engine back on.
3. Point the wand toward a safe direction and squeeze the trigger to flush clean water through the detergent tank and the system until it is thoroughly clean.
4. **Close the Detergent Tank Valve.**

#### ⚠ WARNING

**Leaving chemicals and cleaning solutions inside the pressure pump could damage it.** Damages created by leaving soaps, chemicals and cleaning solutions inside the pump can void the warranty.

### CLEANING TIPS:

- Never use the Pressure Washer water inlet to siphon detergent or wax.
- If you have the nozzle too far away from the surface being washed, the cleaning will not be as effective.

**IMPORTANT: DO NOT** get closer than 6 inches when cleaning.

### SHUTTING DOWN

#### ⚠ WARNING

**SOME ENGINE PARTS CAN BECOME EXTREMELY HOT.** If you intend to disconnect the high pressure hose after completing a wash, avoid touching the engine exhaust system while disconnecting the high pressure hose from the pump.

1. To stop the engine, set the engine switch on the side of the engine to OFF position.
2. Slide Fuel Valve lever to the left to stop fuel flow to the engine.
3. Turn off the water supply and disconnect garden hose from the Pressure Washer.
4. Squeeze the Gun trigger to release any remaining water in the system.
5. Store Spray Gun on the side and hoses inside the hose housing inside the handle.

**⚠ CAUTION**

Never turn off water supply with engine running. This will cause the pressure pump to overheat resulting in internal damage.

Pressure Washer **MUST** be properly stored. Refer to next pages for proper storage instructions.

**MAINTENANCE**

Regular maintenance will improve performance and extend life of Pressure Washer. Pressure Washer's warranty does not cover items that have been subjected to operator abuse or negligence. Only by maintaining Pressure Washer in accordance with instructions in this manual will the full value of the warranty be honored.

Some adjustments will need to be made periodically to properly maintain the Pressure Washer. All service and adjustments should be made at least one time each season. It is important that the maintenance chart below be followed.

**ENGINE MAINTENANCE SCHEDULE**

Frequency	Items	Each time	Every month or 20 Hrs	Every 3 months or 50 Hrs	Every 6 months or 100 Hrs	Every year or 300 Hrs	
Engine oil	Check oil level	✓					
	Replace				✓ *		
Air cleaner (Filter)	Check	✓					
	Clean			✓	✓ *		
	Replace					✓ *	
Deposit cup	Clean				✓		
Spark plug	Clean, adjust				✓ ***		
	Replace					✓ *	
Spark Arrester	Clean				✓		
Idling	Check-adjust					✓ **	
Valve clearance	Check-adjust					✓ **	
Fuel tank	Clean					✓ **	
Emission & Evaporation System						✓ **	
Fuel supply line	Check	Every two years (Replace if necessary**)					

\* Recommended to be performed more often than in the schedule if operated in dusty environments.

\*\* Recommended to be performed by authorized dealers

\*\*\* Adjust air gap to 0.6mm - 0.7mm

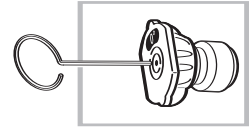
**CHECKING PRESSURE PUMP OIL:**

The pressure pump is maintenance free. If you notice any sign of oil leakage in and around the pump, DO NOT operate the pressure washer. Please call the pressure washer helpline at 1-888-278-8092.

**CLEANING NOZZLE:**

Occasionally, the spray wand can become clogged with foreign materials such as dirt. When this happens, excessive pressure can develop. Whenever the pressure nozzle becomes partially clogged, the pump pressure will pulsate. It should be immediately cleaned.

1. Make sure Pressure Washer is shut off and spray gun trigger is locked.
2. Remove high pressure spray nozzle from the spray wand. Using the nozzle cleaning needle (provided), remove any obstructions by inserting and carefully moving the pin back-and-forth through nozzle hole under clean running water.

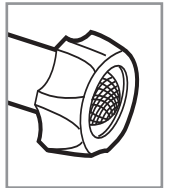


3. After cleaning, remove the needle from nozzle and store for future use.
4. Reassemble pressure nozzle to spray wand.

**CLEANING WATER INLET SCREEN FILTER:**

The water inlet screen filter should be checked periodically and cleaned if necessary.

1. Disconnect inlet water hose.
2. Remove filter by grasping end and pull straight back. See
3. Clean screen filter by flushing both sides with water.
4. Insert screen filter back inside water inlet port.



**⚠ WARNING**

**Do not operate Pressure Washer without screen filter in place. Impurities entering pressure pump can cause internal damage.**

**CLEANING PRESSURE WASHER:**

Daily or before use inspections should include areas around and underneath Pressure Washer looking for signs of fuel or oil leaks. Preventative maintenance should be taken if leaks are found. Clean accumulated debris from outside and inside Pressure Washer. Ensure all linkages, springs and other engine controls are kept clean. Inspect cooling air slots and openings on Pressure Washer. Openings must be kept clean and unobstructed for peak performance of Pressure Washer.

Engine components should be kept clean reducing risk of overheating and ignition of accumulated debris.

- Use a damp cloth to wipe exterior surfaces clean.
- Use a soft bristle brush to loosen caked on dirt or oil.
- Use a shop-vacuum to pick up any loose dirt and debris.

## STORAGE

### **⚠ WARNING**

Fuel and fuel vapor are extremely flammable and explosive. Fire or explosion from misuse of fuel can cause severe burns and even death.



## ENGINE

Gasoline fuel can become stale when stored over 30 days. Stale fuel causes acid and gum deposits to form in the fuel system or crucial carburetor parts. To keep fuel fresh, add the provided fuel stabilizer tablets to the fuel tank (read instructions in the back of stabilizer packaging for directions).

Draining gasoline is unnecessary if the fuel stabilizer is used according to the instructions that come with it. Run Pressure Washer engine for a minimum of two minutes, after stabilizer is added to fuel, to allow it to circulate throughout the engine. The engine and fuel can be stored up to 24 months.

### **NOTE**

**DO NOT** store gasoline from one season to another unless it's been treated with fuel stabilizer.

Replace fuel container, if metal, and if it begins to rust. Rust and dirt and debris can contaminate fuel supply and components resulting in poor performance and/or internal damage to engine. Fuel should be stored in newer approved plastic storage containers.

### **TO PROTECT AGAINST RUST FORMATION DURING STORAGE, OIL THE CYLINDER BORE:**

- Remove spark plug and pour approximately 1/2 oz (15 ml) of clean engine oil into the cylinder.
- Install spark plug and pull starter cord slowly to distribute oil.
- Make sure engine **ON/OFF** switch is **OFF**. Slowly pull the starter cord 2 to 3 times to distribute and coat the cylinder bore with oil. **DO NOT** start engine at this time.

### **⚠ WARNING**

Unintentional sparking can cause fire or electrical shock. Failure to observe this warning can cause severe property damage, severe burns and even death.



Disconnect spark plug wire from spark plug and cover tip of spark plug wire with insulating tape and place wire where it cannot come in contact with spark plug or Pressure Washer frame.

## PRESSURE PUMP

1. Drain all water from pressure hose, coil and store it in cradle of pressure washer handle.
2. Drain all water from spray gun and spray wand by holding spray gun in vertical position with nozzle pointed downward. Squeeze trigger to remove fluids from spray gun and spray wand. Store in spray gun/hose holder.
3. Store chemical hose, high pressure hose and spray wand so they are protected from damage, such as being run over.

It is **RECOMMENDED** that you follow these steps to protect the internal seals of Pressure Washer when storing unit for more than 30 days and/or when freezing temperatures are expected.

1. Obtain a funnel, six ounces of RV antifreeze and approximately 36 inches of garden hose with a male hose connector on one end.

### **⚠ CAUTION**

**Use only RV antifreeze.** Any other type of antifreeze is corrosive and can damage pressure pump.

2. Connect 36 inch length of garden hose to water inlet of pressure pump.
3. Add RV antifreeze using the funnel.
4. Make sure engine **ON/OFF** switch is **OFF**. Slowly pull engine starter cord several times until antifreeze comes out of pressure hose connection of pressure pump. **DO NOT** start engine at this time.
5. Remove hose from water inlet of pressure pump.

## PRESSURE WASHER

1. Cover Pressure Washer with a suitable cover that does not retain moisture such as a plastic or plastic coated tarp.
2. Store Pressure Washer in a clean, dry area.

### **⚠ WARNING**

**Certain storage covers can be flammable or can melt in higher temperatures.** Do not place storage cover over Pressure Washer unit until it has completely cooled.



## PREPARING FOR USE AFTER STORAGE

1. Slowly pull the Starter cord a few times to clean oil from the cylinder or to eject any antifreeze from the pump which were added prior to storage.
2. Remove the spark plug from the cylinder. Wipe oil from the spark plug and return it to the cylinder and retighten.
3. Reconnect the spark plug wire.

## TROUBLESHOOTING GUIDE

Problem	Probable Cause	Solution
Engine shuts down when running.	<ol style="list-style-type: none"> <li>1. Out of fuel.</li> <li>2. Low Engine Oil</li> </ol>	<ol style="list-style-type: none"> <li>1. Fill fuel tank.</li> <li>2. Add oil.</li> </ol>
Engine will not start; or starts and runs rough.	<ol style="list-style-type: none"> <li>1. Engine On/Off set to "OFF" position.</li> <li>2. Fuel valve is in "OFF" position.</li> <li>3. Dirty air cleaner.</li> <li>4. Out of fuel.</li> <li>5. Stale fuel.</li> <li>6. Spark plug wire not connected to spark plug.</li> <li>7. Bad spark plug.</li> <li>8. Water in fuel.</li> <li>9. Flooded.</li> <li>10. Excessively rich fuel/air mixture.</li> <li>11. Intake valve stuck open or closed.</li> <li>12. Engine has lost compression.</li> <li>13. Low engine oil.</li> <li>14. Wrong Fuel.</li> <li>15. Engine is too hot</li> <li>16. Chock is in wrong position</li> <li>17. Pressure builds up after 2 pulls on starter coil or after initial use.</li> </ol>	<ol style="list-style-type: none"> <li>1. Set switch to "ON" position.</li> <li>2. Turn fuel valve to "ON" position.</li> <li>3. Clean or replace air cleaner.</li> <li>4. Fill fuel tank.</li> <li>5. Drain fuel tank and carburetor; fill with fresh fuel.</li> <li>6. Connect wire to spark plug.</li> <li>7. Replace spark plug.</li> <li>8. Drain fuel tank and carburetor; fill with fresh fuel.</li> <li>9. Wait 5 minutes and re-crank engine.</li> <li>10. Call Customer Service: 1-888-278-8092.</li> <li>11. Call Customer Service: 1-888-278-8092.</li> <li>12. Call Customer Service: 1-888-278-8092.</li> <li>13. Add oil.</li> <li>14. Use recommended fuel.</li> <li>15. Allow engine to cool</li> <li>16. Change chock position</li> <li>17. Squeeze gun trigger to relieve pressure.</li> </ol>



<b>Problem</b>	<b>Probable Cause</b>	<b>Solution</b>
Engine "hunts" or falters.	1. Carburetor is running too rich or too lean.	1. Call Customer Service: 1-888-278-8092.
Engine lacks power.	1. Cylinder pressure is low. 2. Dirty air cleaner.	1. Call Customer Service: 1-888-278-8092. 2. Replace air filter.
No pressure or Low pressure.	1. Spray wand not set to high pressure. 2. Inadequate water supply. 3. Hose fitting leaks during high pressure. 4. Nozzle obstructed. 5. Water filter screen obstructed. 6. Defective pump 7. Air in hose. 8. Choke lever in choke position. 9. Throttle control lever is hot in fast position.	1. See "SELECTING THE RIGHT NOZZLE" section. 2. Water supply must be 5 GPM @ 20 psi. 3. Tighten hose fitting. Use thread sealant tape if necessary. 4. Clean Nozzle (See Maintenance) 5. Remove and clean filter. 6. Call Customer Service: 1-888-278-8092 7. Squeeze trigger to remove air. 8. Move choke to "RUN" position. 9. Move throttle control lever from fast position.
Water leaking at pump.	1. Loose connections. 2. Worn or broken O-rings. 3. Pump head or tubes damaged from freezing.	1. Tighten connections. 2. Call Customer Service: 1-888-278-8092. 3. Call Customer Service: 1-888-278-8092.

<b>Problem</b>	<b>Probable Cause</b>	<b>Solution</b>
Pump will not draw chemicals.	1. Wrong size spray nozzle. 2. Chemical hose/filter clogged. 3. Chemical screen not in chemical. 4. Chemical solution too thick. 5. Chemical build-up in chemical injector.	1. See "SELECTING THE RIGHT NOZZLE" section. 2. Clean hose/filter. 3. Ensure end of chemical hose is fully submerged into chemicals. 4. Dilute chemical. Chemical solutions should have same consistency as water. 5. Clean or replace. Call Customer Service: 1-888-278-8092.
No or low pressure (after period of normal use).	1. Worn seal or packing. 2. Worn or obstructed valves. 3. Worn unloader piston.	Clean or replace. Call Customer Service: 1-888-278-8092.
Water leaking at spray gun/spray wand connection.	1. Worn or broken O-ring. 2. Loose hose connection.	1. Worn or broken O-ring. 2. Tighten hose connection.
Oil leaking at pump	1. Oil seals worn.	1. Call Customer Service: 1-888-278-8092.
Pump pulsates	1. Nozzle obstructed. 2. Air in the system	1. Clean Nozzle (See Maintenance) 2. Squeeze trigger to remove air.

**GENERAL INFO:**

Gas	<ul style="list-style-type: none"> <li>• Use fresh high quality unleaded gasoline (minimum 87 octane)</li> <li>• Add stabilizer to fuel tank and run engine for 5 minutes before storage.</li> </ul>
Oil	<ul style="list-style-type: none"> <li>• Pump oil: Use only 30-weight non-detergent oil.</li> <li>• Engine oil: Use only 30-weight non-detergent oil.</li> </ul>
Water	<ul style="list-style-type: none"> <li>• Use only cold water.</li> <li>• Do not operate pressure washer with clogged or missing water filter screen.</li> <li>• Do not operate pressure washer without adequate water supply to pressure pump. Adequate water supply is a minimum of 20 PSI @ 5 GPM.</li> </ul>
Pressure Adjustment	<ul style="list-style-type: none"> <li>• Pressure setting is preset at factory.</li> <li>• For lowering pressure, refer to PRESSURE ADJUSTMENT section in this manual.</li> </ul>
Pump	<ul style="list-style-type: none"> <li>• Squeeze spray gun trigger every 2 minutes while engine is running.</li> <li>• Do not allow water to freeze in pump.</li> </ul>
By-Pass Mode	<ul style="list-style-type: none"> <li>• Never leave unit running for more than 2 minutes without squeezing spray gun trigger. Doing so could damage pump and void warranty.</li> </ul>
Thermal Relief Valve	<ul style="list-style-type: none"> <li>• Pump is equipped with a thermal relief valve. If water overheats, this valve opens releasing gush of water. Afterwards, the valve closes returning pump to normal operation.</li> </ul>

Hose	<ul style="list-style-type: none"> <li>• Do not allow hoses to come in contact with engine muffler during or immediately after use.</li> <li>• DO NOT pull unit by pressure hose.</li> </ul>
Engine	<ul style="list-style-type: none"> <li>• Do not adjust or attempt maintenance without consulting supplied engine manual or having adjustments made at an authorized service center.</li> <li>• Add stabilizer to fuel tank and let engine run for 5 minutes before storage.</li> <li>• Always turn on water before starting engine.</li> </ul>
Soap/Chemicals	<ul style="list-style-type: none"> <li>• Use only soaps and chemical detergents designed for pressure washer use.</li> <li>• Use Chemical nozzle (Black) with Soap/Chemicals.</li> </ul>
Nozzle	<ul style="list-style-type: none"> <li>• Always keep nozzles unclogged.</li> <li>• Use ONLY chemical nozzle when using chemical and cleaning solvents.</li> </ul>
Storage or Winterizing	<ul style="list-style-type: none"> <li>• Run clean water through chemical inlet.</li> <li>• Add stabilizer to any remaining fuel in fuel tank.</li> <li>• Do not allow water to freeze in pressure pump, spray gun, spray wand or hoses.</li> </ul>

**SPECIFICATIONS**

Max Pressure	2700 PSI
Max Water Flow	2.2 GPM
Pump Type	Axial
Engine/Type	Snap On XT210/OHV
HP/RPM	7/3600
Displacement	207CC
Fuel/Detergent Tank Capacity	0.95/1GAL
Pressure Hose	30 FT.
Low Oil Sensor	YES
Thermal Relief Valve	YES

## 1 YEAR LIMITED WARRANTY

### Express and Exclusive Limited Warranty to Original Retail Buyer

Alltrade Tools LLC (hereinafter "Alltrade") expressly warrants to the original retail purchaser of the accompanying SNAP-ON™ Pressure Washer and no one else all parts of the product (except those parts referred to below which are specifically excluded from such warranty (see Exclusions) to be free from defects in materials and workmanship for a period of one year from the original date of purchase.

**SPECIAL WARRANTY NOTE FOR COMMERCIAL OR RENTAL USE:** The above warranty for this SNAP-ON™ Pressure Washer shall be effective for only 90 days from the original date of purchase if this tool is used for any **COMMERCIAL OR RENTAL PURPOSE**.

The date of purchase shall be the date of shipment to the original purchaser, or the date the original purchaser took possession, custody, or control of the product, whichever occurred first. This warranty shall be null and void if the product or any component thereof is modified or altered. This warranty does not apply to any other product and/or component thereof manufactured or distributed by Alltrade, and does not apply to products and/or components thereof designed, manufactured and/or assembled by others, for which Alltrade makes no warranties whatsoever. **THERE ARE NO WARRANTIES, WHICH EXTEND BEYOND THE DESCRIPTION ON THE FACE HEREOF.**

### WARRANTY PERFORMANCE

By purchasing this product, purchaser expressly acknowledges and agrees that their sole and exclusive remedy under this warranty shall be strictly limited to the repair or replacement of any covered nonconforming items or parts thereof provided that any such nonconforming item and/or part is promptly returned to an authorized Service Center within the applicable warranty period, with a written request by purchaser to repair and/or replace the nonconforming item and/or part. We recommend that you keep the original product packaging in the event you need to ship the unit. We suggest the package be insured against loss or in transit damage. When sending your product, include your name, address, phone number, e-mail address, dated proof of purchase (or copy) and a statement about the nature of the problem. Warranty coverage is conditioned upon purchaser furnishing Alltrade with adequate written proof that they are the original purchaser and of the original purchase date. Parts returned, freight prepaid and insured, will be inspected and, at Alltrade's option, repaired and/or replaced free of charge if it is found to be defective and subject to warranty. Alltrade retains the sole discretion to determine whether any item or part is nonconforming and, if so, whether the item and/or part will be repaired and/or replaced. If the unit is repaired, new or reconditioned replacement parts may be used. If Alltrade chooses to replace the product, it may replace it with a new or reconditioned of the same or comparable design. The repaired or replaced unit will be warranted under the terms of the remainder of the one year warranty period; cov-

ered defective parts not subject to normal wear and tear or other exclusions will be repaired or replaced, at Alltrade's option. During the warranty period, Alltrade will be responsible for the return shipping charges. Alltrade's repair and/or replacement of any nonconforming item and/or part thereof shall constitute fulfillment of all obligations to the purchaser. Alltrade shall not be responsible or liable for any expense, including freight charges, or repairs made outside Alltrade's facility or an Alltrade designated service, unless expressly agreed to by Alltrade in writing. Under no circumstances shall Alltrade bear any responsibility for loss of the unit, loss of time or rental, inconvenience, commercial loss, or consequential damages.

For the location of an Authorized Service Center nearest you, please call customer service at 1-888-278-8092.

This warranty does not cover parts damaged due to normal wear, abnormal conditions, misapplication, misuse, abuse, accidents, operation, improper storage, or freight damage. Parts damaged or worn by operation in dusty environments are not warranted. Failure to follow recommended operating and maintenance procedures also voids warranty.

DAMAGE TO THE PRODUCT RESULTING FROM TAMPERING, ACCIDENT, ABUSE, NEGLIGENCE, FAILURE TO FOLLOW INSTRUCTIONS, UNAUTHORIZED REPAIRS OR ALTERATIONS, DAMAGE WHILE IN TRANSIT TO OUR SERVICE FACILITY, USE OF UNAPPROVED OR IMPROPER ATTACHMENTS OR ACCESSORIES, OR OTHER CAUSES UNRELATED TO PROBLEMS WITH MATERIAL OR WORKMANSHIP ARE NOT COVERED BY THIS WARRANTY.

Alltrade will not be liable for the following: labor charges, loss or damage resulting from improper operation, maintenance or repairs made by other persons; pre-delivery services such as assembly, oil and lubricants, and adjustment; maintenance services that are normally required to maintain the product.

The use of other than genuine Snap-On™ Repair Parts will VOID the warranty.

### WARRANTY DISCLAIMERS

EXCLUSION AND DISCLAIMER OF ALL OTHER EXPRESS WARRANTIES, GUARANTIES AND/OR REPRESENTATIONS, EXCEPT FOR THE LIMITED WARRANTY PROVIDED HEREIN, ALL OTHER EXPRESS WARRANTIES, GUARANTIES, AND/OR REPRESENTATIONS BY ALLTRADE AND OR ITS REPRESENTATIVE(S) REGARDING THE DESIGN, MANUFACTURE, PURCHASE, USE AND/OR OPERATION OF THE PRODUCT OR ANY COMPONENT THEREOF SOLD HEREUNDER, REGARDLESS OF WHETHER ANY SUCH WARRANTY, GUARANTY AND/OR REPRESENTATION, WRITTEN OR ORAL, ARISES BY OPERATION OF LAW AND/OR EQUITY AND/OR BY ANY ACT OR OMISSION OF ALLTRADE AND/OR ITS REPRESENTATIVE(S), OR THE BUYER, ARE HEREBY EXPRESSLY EXCLUDED AND DISCLAIMED BY ALLTRADE AND/OR ITS REPRESENTATIVES. PURCHASER KNOWINGLY AND WILLINGLY WAIVES ANY AND ALL SUCH WARRANTIES AND RIGHTS, CLAIMS AND/OR CAUSE OF ACTION ARISING THEREFROM OR BASED THEREON. PURCHASER'S

SOLE AND EXCLUSIVE REMEDY IS AS STATED ABOVE.

EXCLUSION AND DISCLAIMER OF ALL IMPLIED WARRANTIES, INCLUDING THE IMPLIED WARRANTIES OF MERCHANTABILITY AND FITNESS FOR A PARTICULAR PURPOSE. NO WARRANTY, ORAL OR WRITTEN, OTHER THAN THE WARRANTY LISTED HEREIN IS MADE WITH REGARD TO THIS PRODUCT. ALL WARRANTIES AND/OR IMPLIED WARRANTIES, GUARANTIES AND/OR REPRESENTATIONS BY ALLTRADE AND/OR ITS REPRESENTATIVE(S) REGARDING THE DESIGN, MANUFACTURE, PURCHASE, USE AND/OR OPERATION OF THE PRODUCT OR ANY COMPONENT THEREOF SOLD HEREUNDER, REGARDLESS OF WHETHER ANY SUCH WARRANTY, GUARANTY AND/OR REPRESENTATION, WRITTEN OR ORAL, ARISES BY OPERATION OF LAW AND/OR EQUITY AND/OR BY ANY ACT OR OMISSION OF ALLTRADE AND/OR ITS REPRESENTATIVES. PURCHASER KNOWINGLY AND WILLINGLY WAIVES ANY AND ALL SUCH WARRANTIES AND RIGHTS, CLAIMS AND/OR CAUSES OF ACTION ARISING THEREFROM OR BASED THEREON.

PURCHASER'S SOLE AND EXCLUSIVE REMEDY IS AS STATED ON PRECEDING PAGES.

#### **LIMITATIONS OF LIABILITY**

IN NO EVENT SHALL ALLTRADE AND/OR ITS REPRESENTATIVE(S) BE LIABLE FOR INDIRECT, INCIDENTAL, SPECIAL AND/OR CONSEQUENTIAL DAMAGES OF ANY KIND ARISING OUT OF OR RELATED TO, DIRECTLY OR INDIRECTLY, ANY BREACH OR PROVISION OF ANY AGREEMENT BETWEEN ALLTRADE AND/OR ITS REPRESENTATIVE(S) AND PURCHASER, AND WARRANTY HEREUNDER, AND/OR THE EXISTENCE, DESIGN, MANUFACTURE, PURCHASE, USE AND/OR OPERATION OF ANY ITEM(S) SOLD HEREUNDER EVEN IF ALLTRADE AND/OR ITS REPRESENTATIVE(S) HAS BEEN ADVISED OF THE POSSIBILITY OF ANY SUCH DAMAGES. IN NO EVENT, WHETHER BECAUSE OF A BREACH OF CONTRACT, WARRANTY, TORT (INCLUDING NEGLIGENCE) OR OTHERWISE, SHALL ALLTRADE'S AND/OR ITS REPRESENTATIVE (S) LIABILITY EXCEED THE PRICE OF THE PRODUCT. ALL LIABILITY CONNECTED WITH THE USE OF THIS PRODUCT SHALL TERMINATE UPON THE EXPIRATION OF THE WARRANTY PERIODS SPECIFIED ABOVE.

#### **LIMITATIONS ON WARRANTY DISCLAIMERS**

Some states do not allow limitations on how long an implied warranty lasts and some states do not allow the exclusion or limitation of the incidental or consequential damages, so part or all of the above limitations or exclusions may not apply to you. This warranty gives you specific legal rights, and you may also have other rights, which vary from state to state.

If your product is not covered by this warranty, please call our Customer Service Department at 1-888-278-8092 for general repair information, and charges and the location of your nearest authorized service facility.

#### **FEDERAL EMISSION CONTROL WARRANTY STATEMENT OWNER'S RIGHTS AND RESPONSIBILITIES**

The United States Environmental Protection Agency (EPA) and Alltrade Tools are pleased to explain the Emission Control System warranty on your new 2008 or later equipment. New equipment that uses small spark-ignited engines must be designed, built, and equipped to meet the stringent anti-smog standards established by the federal government. Alltrade will warrant the emission control system of your small spark-ignited engine for the period of time listed below provided there has been no abuse, neglect, unapproved modification or improper maintenance of your equipment.

Your emission control system may include parts such as the carburetor, fuel system, ignition system, catalytic converter, and other associated emission-related components (if equipped on your specific engine).

#### **MANUFACTURER'S WARRANTY COVERAGE FOR EMISSION CONTROL SYSTEMS:**

The emission control system for your small spark-ignited engine is warranted for two years from the date of purchase or delivery. If, during this warranty period, any emission-related part on your equipment is found to be defective in materials or workmanship, an authorized Alltrade service provider will repair or replace the covered part at no additional cost.

#### **OWNER WARRANTY RESPONSIBILITIES**

As the owner of this small spark-ignited engine, you are responsible for the completion of all required maintenance as listed in your factory supplied Owner's Manual. Alltrade recommends that you retain all your receipts covering maintenance on your engine, but Alltrade cannot deny warranty solely due to lack of receipts.

As the owner of this small spark-ignited engine, you should be aware that Alltrade may deny any and/or all warranty coverage or responsibility if your small spark-ignited engine, or a part/component thereof, has failed due to abuse, neglect, improper maintenance, unapproved modifications or use of unauthorized or counterfeit parts.

You are responsible for presenting your small spark-ignited engine to an authorized Alltrade Service Center as soon as a problem occurs. The warranty repairs should be completed in a reasonable amount of time, not to exceed 30 days.

If you have any questions regarding your warranty, rights or responsibilities, please contact Alltrade Customer Service at 1-888-278-8092.

## **EMISSION CONTROL SYSTEM WARRANTY**

Emission Control System Warranty (ECS warranty) for equipment using small spark-ignited engines:

1. **Applicability:** This warranty shall apply to equipment that uses small spark-ignited engines. The ECS Warranty period shall begin on the date the new equipment is purchased by/delivered to its original, end-use purchaser/owner and shall continue for 24 consecutive months thereafter.
2. **General Emissions Warranty Coverage:** Alltrade warrants to the original, end-use purchaser/owner of the new engine or equipment and to each subsequent purchaser/owner that the ECS when installed was designed, built and equipped so as to conform with all applicable regulations and was free from defects in materials and workmanship which could cause the failure of a warranted part at any time during the ECS Warranty Period.
  - A. Any warranted part that is not scheduled for replacement as required maintenance in the Owner's Manual shall be warranted for the ECS Warranty Period. If any such part fails during the ECS Warranty Period, it shall be repaired or replaced by Alltrade according to subsection (D) below. Any such part repaired or replaced under the ECS Warranty shall be warranted for the remainder of the ECS Warranty Period.
  - B. Any warranted part that is scheduled only for regular inspection as specified in the Owner's Manual shall be warranted for the ECS Warranty Period. A statement in the Owner's Manual to the effect of "repair or replace as necessary" shall not reduce the ECS Warranty Period. Any such part repaired or replaced under the ECS Warranty shall be warranted for the remainder of the ECS Warranty Period.
  - C. Any warranted part that is scheduled for replacement as required maintenance in the Owner's Manual shall be warranted for the period of time prior to the first scheduled replacement point for that part. If the part fails prior to the first scheduled replacement, the part shall be repaired or replaced by Alltrade according to subsection (D) below. Any such emissions-related part repaired or replaced under ECS warranty shall be warranted for the remainder of the period prior to the first scheduled replacement of that part.
  - D. Repair or replacement of any warranted emissions-related part under this ECS Warranty shall be performed at no charge to the owner at an Alltrade Authorized Warranty Repair Service Center.
  - E. Notwithstanding the provisions of subsection (D) above, warranty services or repairs must be provided at Alltrade Authorized Service Center.
  - F. When the engine is inspected by an Alltrade Authorized Service Center, the purchaser/owner shall not be held responsible for diagnostic costs if the repair is deemed warrantable.

- G. Throughout the ECS Warranty Period, Alltrade shall maintain a supply of warranted emission-related parts sufficient to meet the expected demand for such parts.
- H. Any Alltrade authorized and approved emission-related replacement parts may be used in the performance of any ECS warranty maintenance or repairs and will be provided without charge to the purchaser/owner. Such use shall not reduce Alltrade ECS Warranty obligations.
- I. Unapproved, add-on, modified and/or counterfeit parts may not be used to modify or repair an Alltrade engine. Such use voids this ECS Warranty and shall be sufficient grounds for disallowing an ECS Warranty claim. Alltrade shall not be held liable hereunder for failures of any warranted parts of Alltrade equipment caused by the use of such an unapproved, add-on, modified and/or counterfeit part.

### **EMISSION RELATED PARTS MAY INCLUDE THE FOLLOWING (IF INCLUDED ON THIS ENGINE):**

1. Fuel Metering System
  - a. Carburetor and internal parts
  - b. Fuel Regulator
2. Air Induction System
  - a. Intake manifold
  - b. Air filter
3. Ignition System
  - a. Spark plugs
  - b. Magneto ignition system
4. Air Injection System
  - a. Air cleaner
5. Exhaust System
  - a. Catalyst
  - b. Exhaust Manifold
6. Miscellaneous Items
  - a. Fittings, tubing, connectors and assemblies.

### **TO OBTAIN WARRANTY SERVICE:**

If you have any questions regarding this warranty or if your equipment requires a covered repair, please contact us at the address below.

### **ALLTRADE TOOLS, LLC.**

**1431 VIA PLATA**

**LONG BEACH, CA 90810-1462 USA**