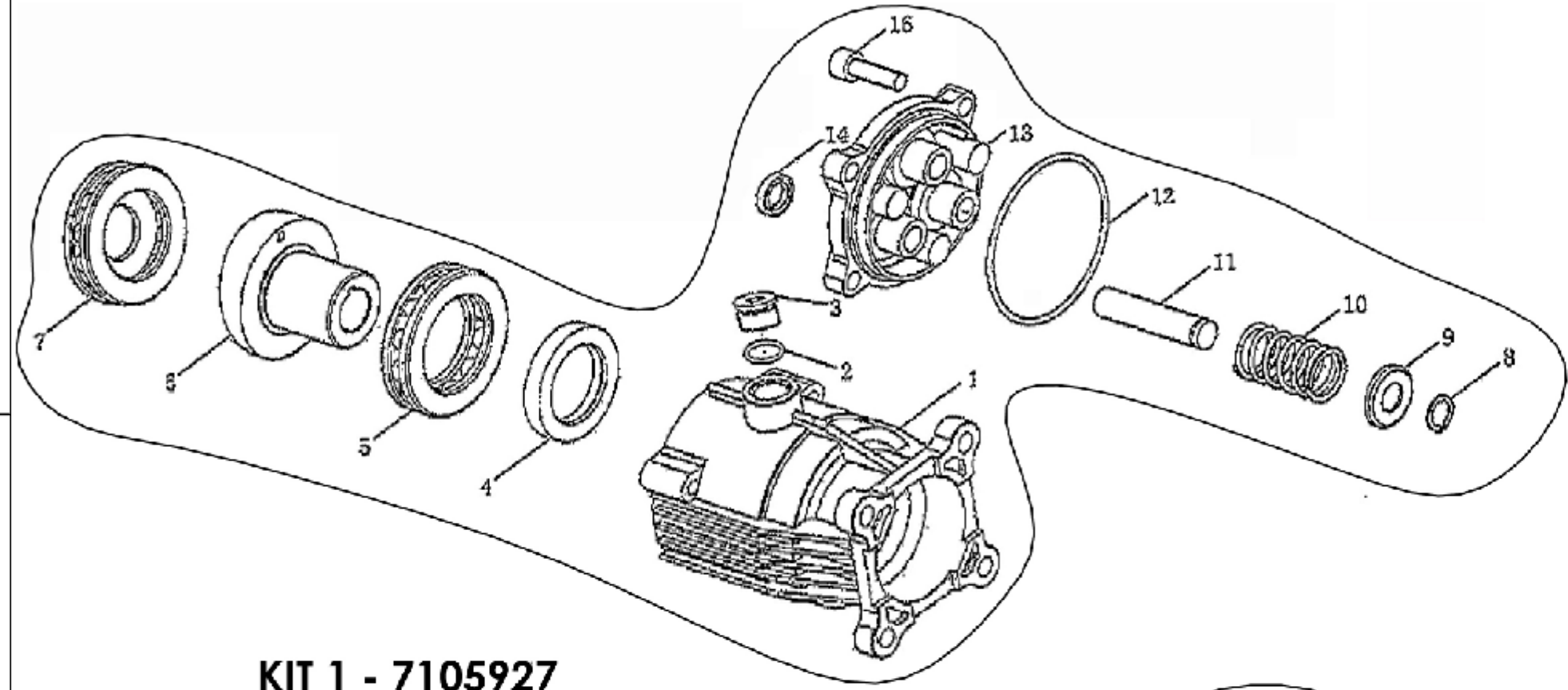


KIT NO.	FNA KIT NO.	DESCRIPTION	INCLUDED IN KIT
KIT 1	7105927	PUMP, CRANKCASE ASSEMBLY KIT	1-14, 16
KIT 2	7101359	THERMAL RELIEF VALVE KIT	37
KIT 3	7104222	PACKING KIT	17-21
KIT 4	7104223	VALVE KIT	22-27
KIT 5	7105928	WATER INLET KIT	28-31
KIT 6	7105929	PUMP HEAD KIT	26, 32, 33, 35
KIT 7	7104226	UNLOADER KIT	36, 38-50
KIT 8	7104227	BY-PASS VALVE KIT	49-53
KIT 9	7104228	SOAP INJECTOR KIT	58-62
KIT 10	7104229	MANIFOLD KIT	27, 36-67, 69-75
KIT 11	7105930	OUTLET EXTENSION KIT	31, 68

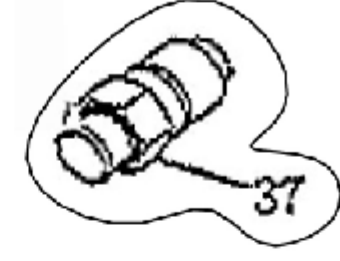
PUMP # 7104979

THIRD ANGLE PROJECTION UNLESS OTHERWISE SPECIFIED: DIMENSIONS ARE IN INCHES (MM) TOLERANCES: X ±.1 XX ±.03 XXX ±.010 FRACTIONAL ±.002 ANGULAR ±1° BEND ±1° ALL MACHINED SURFACES: √125		NAME: MAW DATE: 7/28/2012 DRAWN: MAW CHECKED: ENG. APPR.: MFG. APPR.: Q.A. APPR.:	FNA-GROUP 1265 INDUSTRIAL STREET, DECATUR, AR 72722 TITLE: SERVICE KITS
NEXT ASSY: USED ON: APPLICATION:	FUTURE GEOMETRIC TOLERANCING PER ASMEY 4.5M-1994 DO NOT SCALE DRAWING	PROPRIETARY AND CONFIDENTIAL THE INFORMATION CONTAINED IN THIS DRAWING IS THE SOLE PROPERTY OF FNA-GROUP. ANY REPRODUCTION IN PART OR AS A WHOLE WITHOUT THE WRITTEN PERMISSION OF FNA-GROUP IS PROHIBITED.	SIZE: C DWG. NO.: 7104979 ECN# DC12-0086
		REV: A SCALE: 1:1 SHEET 1 OF 2	



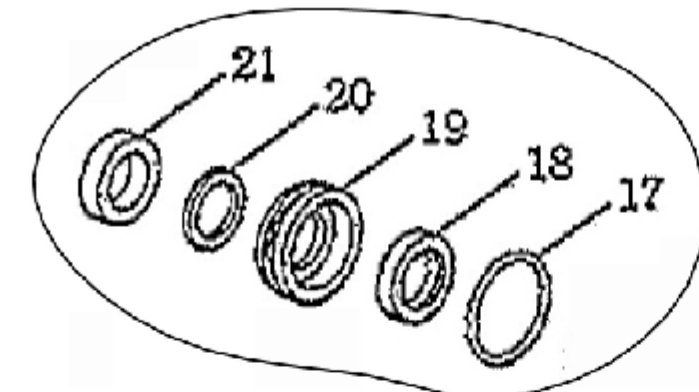
KIT 1 - 7105927

KIT 1 - 7105927 - PUMP, CRANKCASE ASSEMBLY KIT		
ITEM	DESCRIPTION	QTY
1	HOUSING	1
2	O-RING	1
3	PLUG	1
4	OIL SEAL	1
5	THRUST BEARING	1
6	WOBBLE PLATE	1
7	THRUST BEARING	1
8	RETAINER RING	1
9	SPRING CLIP	1
10	SPRING	1
11	PLUNGER	1
12	O-RING	1
13	PLUNGER GUIDE	1
14	OIL SEAL	1
16	SCREW	1



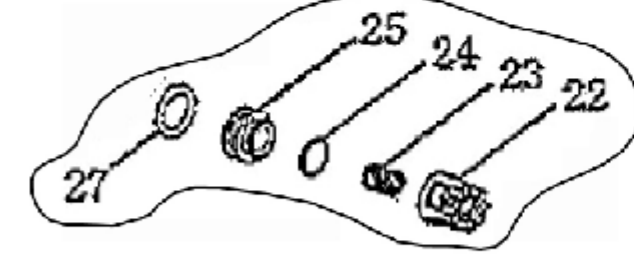
KIT 2 - 7101359

KIT - THERMAL RELIEF VALVE KIT		
ITEM	DESCRIPTION	QTY
37	THERMAL RELIEF VALVE	1



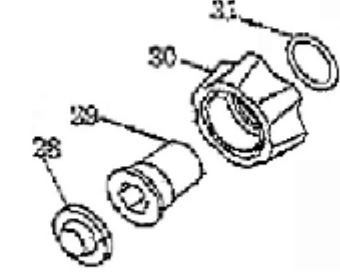
KIT 3 - 7104222

KIT 3 - 7104222 - PACKING KIT		
ITEM	DESCRIPTION	QTY
17	O-RING	3
18	LOW PRESSURE SEAL	3
19	SUBSIDIARY SEAL SEAT	3
20	WATER WEAL WASHER	3
21	HIGH PRESSURE SEAL	3



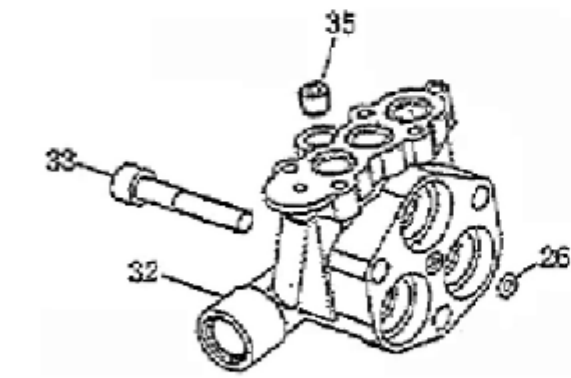
KIT 4 - 7104223

KIT 4 - 7104223 - VALVE KIT		
ITEM	DESCRIPTION	QTY
22	VALVE CAGE	6
23	VALVE SPRING	6
24	VALVE PLATE	6
25	VALVE SEAT	6
27	O-RING	6



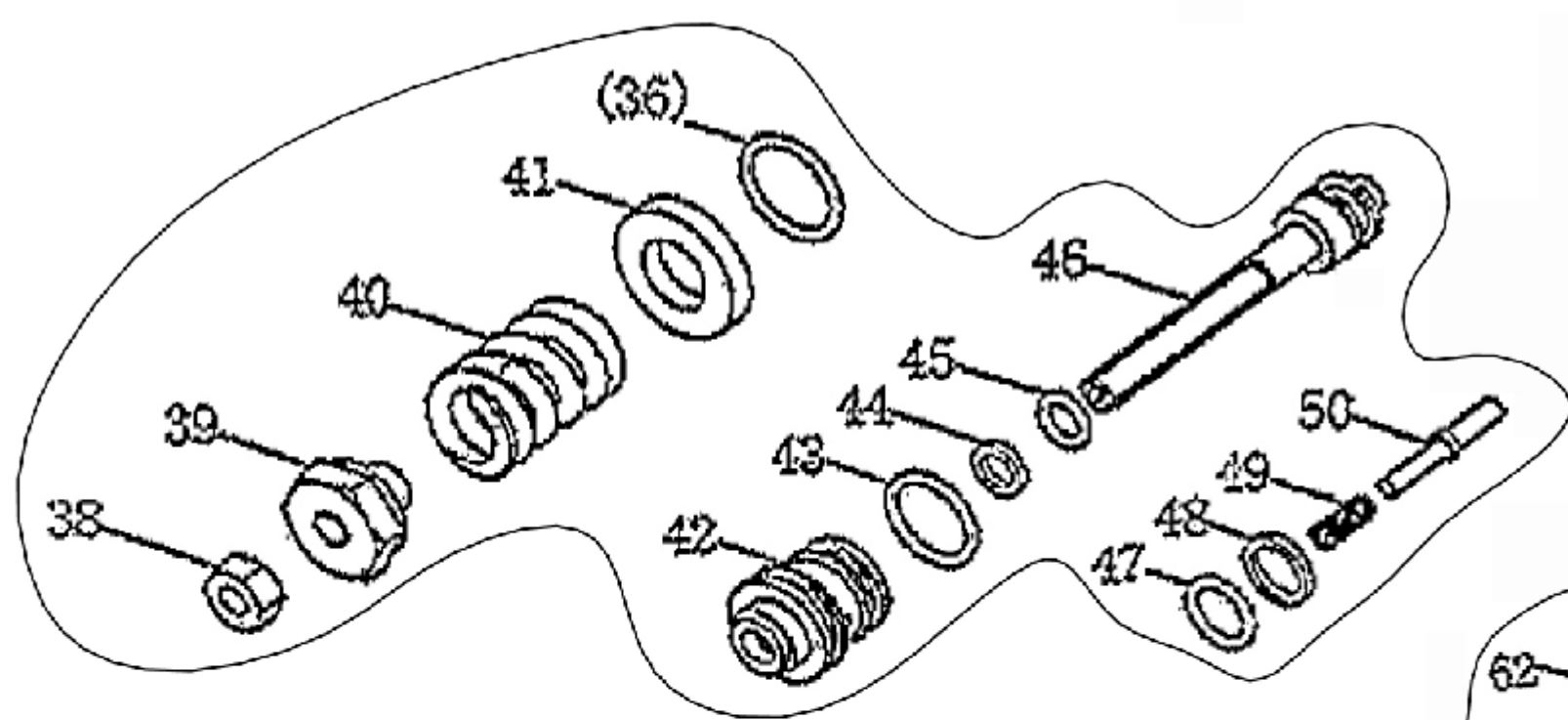
KIT 5 - 7105928

KIT 5 - 7105928 - WATER INLET KIT		
ITEM	DESCRIPTION	QTY
28	WATER INLET FILTER	1
29	WATER INLET	1
30	HANDTIGHT NUT	1
31	O-RING	1



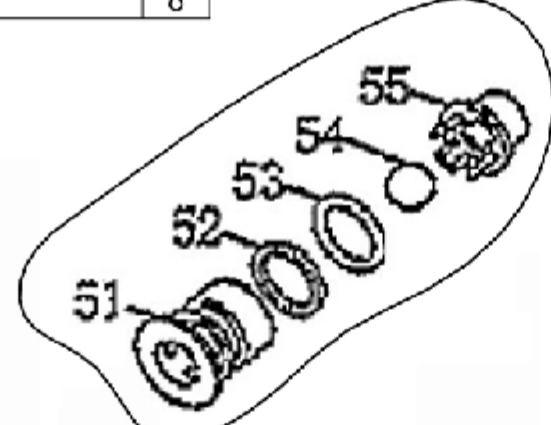
KIT 6 - 7105929

KIT 6 - 7105929 - PUMP HEAD KIT		
ITEM	DESCRIPTION	QTY
26	O-RING	1
32	MANIFOLD, BRASS	1
33	SCREW	3
35	PLUG	1



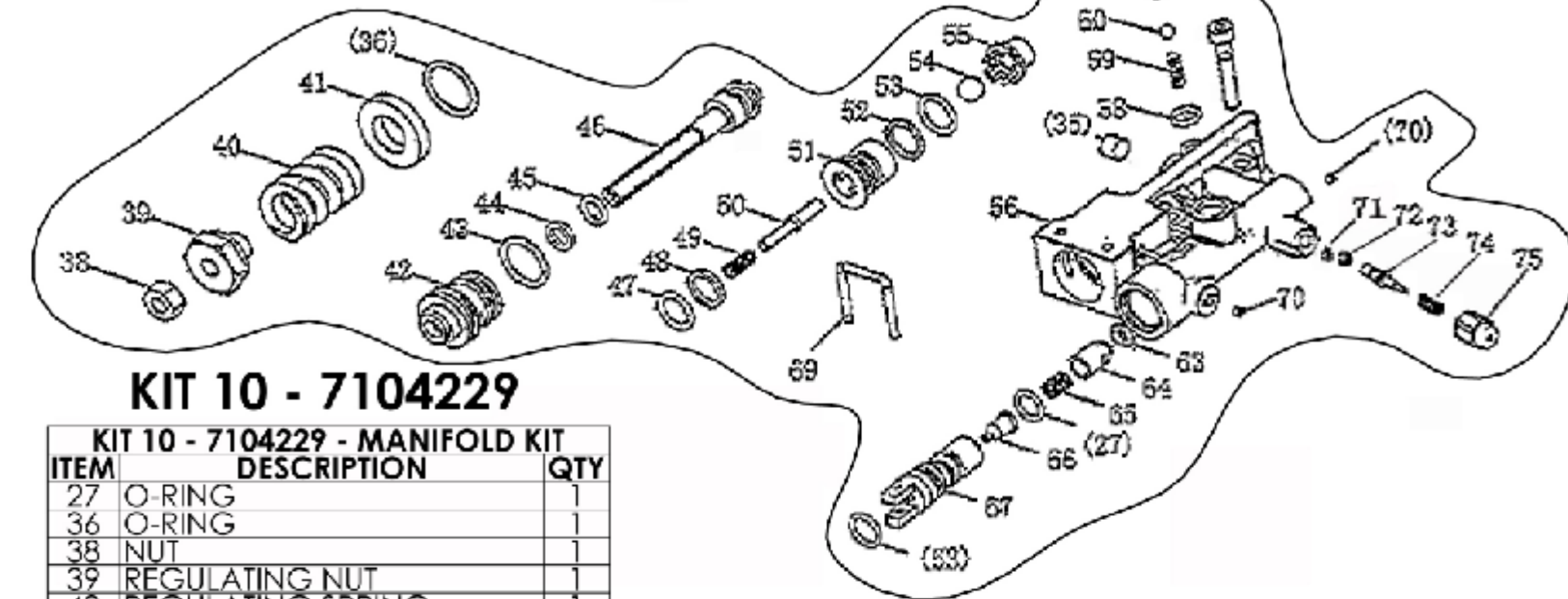
KIT 7 - 7104226

KIT 7 - 7104226 - UNLOADER KIT		
ITEM	DESCRIPTION	QTY
36	O-RING	1
38	NUT	1
39	REGULATING NUT	1
40	REGULATING SPRING	1
41	FASTNESS WASHER	1
42	VALVE SHEATH	1
43	O-RING	1
44	CLOSE RETAINING RING	1
45	O-RING	1
46	VALVE ROD	1
47	O-RING	1
48	UNCORK RETAINER RING	1
49	PEAK PIN SPRING	1
50	PEAK PIN	1



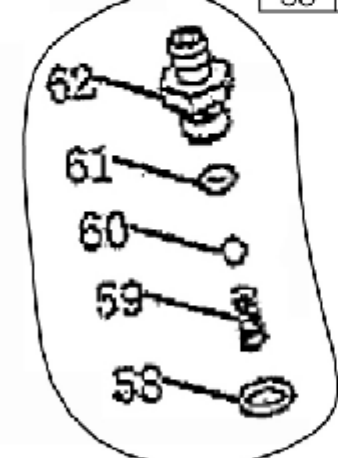
KIT 8 - 7104227

KIT 8 - 7104227 - BY-PASS KIT		
ITEM	DESCRIPTION	QTY
49	UPPER SEAT	1
50	UNCORK RETAINING RING	1
51	O-RING	1
52	STEEL BALL	1
53	LOWER SEAT	1



KIT 10 - 7104229

KIT 10 - 7104229 - MANIFOLD KIT		
ITEM	DESCRIPTION	QTY
27	O-RING	1
36	O-RING	1
38	NUT	1
39	REGULATING NUT	1
40	REGULATING SPRING	1
41	WASHER	1
42	VALVE SHEATH	1
43	O-RING	1
44	CLOSE RETAINING RING	1
45	O-RING	1
46	VALVE ROD	1
47	O-RING	1
48	UNCORK RETAINING RING	1
49	PEAK PIN SPRING	1
50	PEAK PIN	1
51	UPPER SEAT	1
52	UNCORK RETAINING RING	1
53	O-RING	2
54	STEEL BALL	1
55	LOWER SEAT	1
56	OUTLET VALVE BODY	1
57	SCREW	5
58	O-RING	1
59	INJECTOR SPRING	1
60	STEEL BALL	1
61	O-RING	1
62	INJECTOR	1
63	O-RING	1
64	UNILATERAL VALVE CORE	1
65	UNILATERAL VALVE SPRING	1
66	NOZZLE	1
67	VENTURITUBE	1
69	U-PIN	1
70	SCREW	2
71	O-RING	1
72	WASHER	1
73	VALVE ROD	1
74	SPRING	1
75	POWER BOOSTER	1



KIT 9 - 7104228

KIT 9 - 7104228 - SOAP INJECTOR KIT		
ITEM	DESCRIPTION	QTY
58	O-RING	1
59	INJECTOR SPRING	1
60	STEEL BALL	1
61	O-RING	1
62	INJECTOR	1



KIT 11 - 7105930

KIT 11 - 7105930 - OUTLET EXTENSION KIT		
ITEM	DESCRIPTION	QTY
31	O-RING	1
68	OUTLET VALVE	1