



# Parts Manual

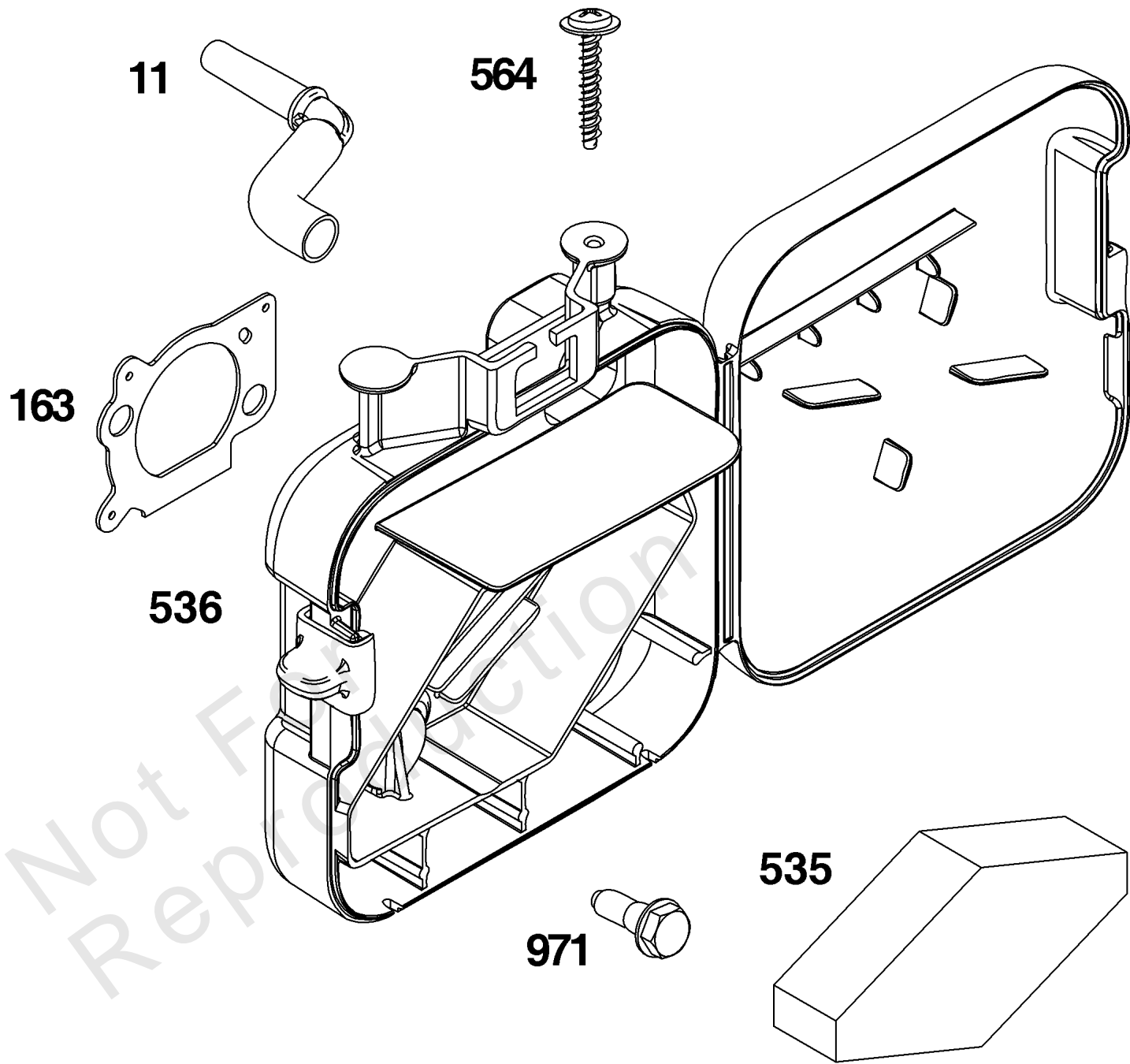
Mfg. No: 122S02-0156-H1



---

<b>Model Components</b>	<b>Page</b>
Air Cleaner Group.....	4
Blower Housing.....	6
Carburetor Group.....	8
Controls Group.....	10
Crankshaft Group.....	12
Cylinder Group.....	14
Cylinder Head Group.....	16
Exhaust Group.....	18
Flywheel, Ignition, and Starter Group.....	20
Fuel Supply Group.....	22
Service Parts and Tools Group.....	24
Sump Group.....	26

Not For  
Reproduction

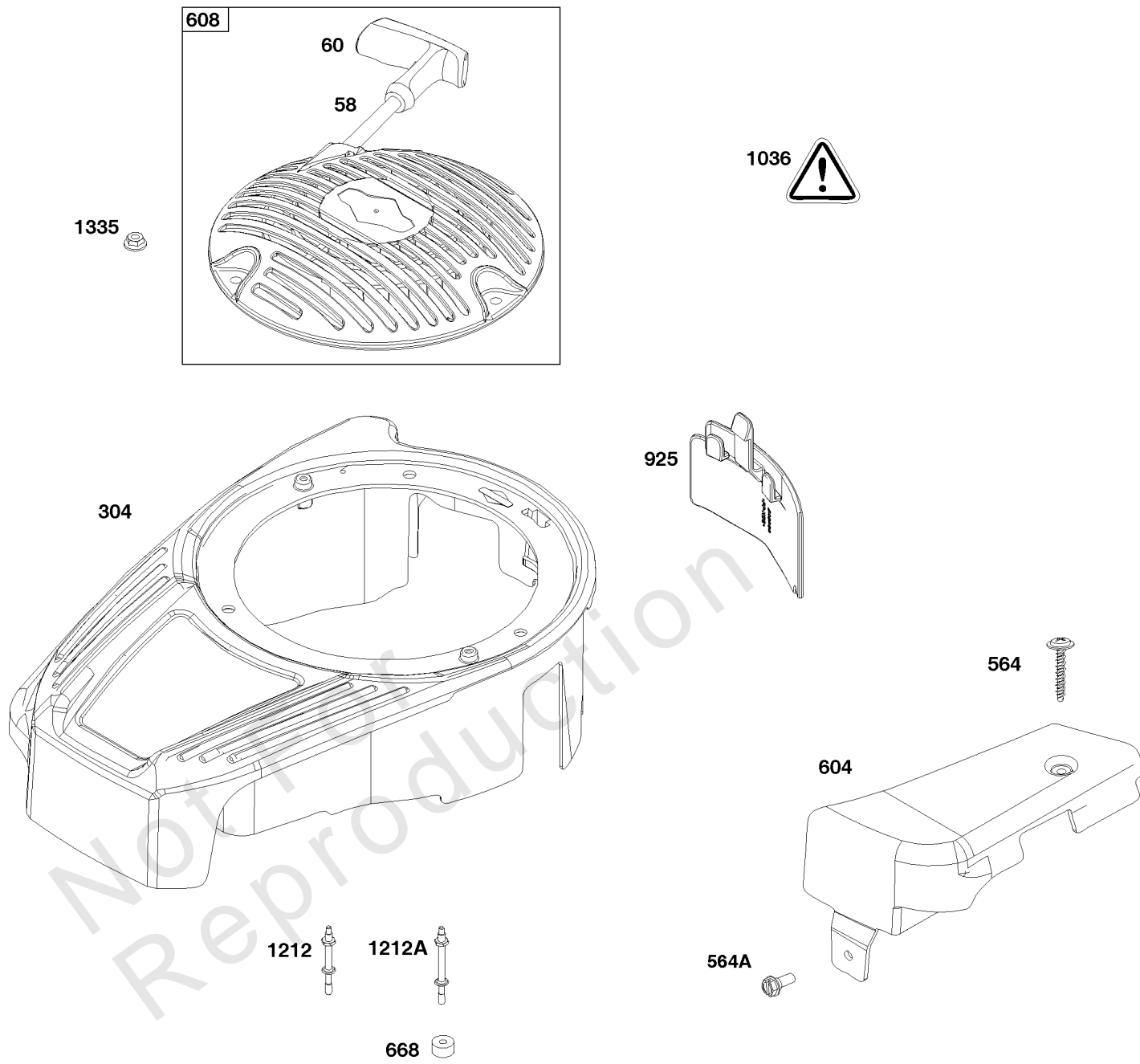


## *Air Cleaner Group*

---

REF NO	PART NO	QTY	DESCRIPTION
11	796478	1	Tube-Breather
163	691894	1	Gasket-Air Cleaner
535	797301	1	Filter-Air Cleaner Foam
536	799025	1	Cleaner-Air
564	690351		SCREW
971	798294	2	Screw -(Air Cleaner Base to Carburetor/Throttle Body)

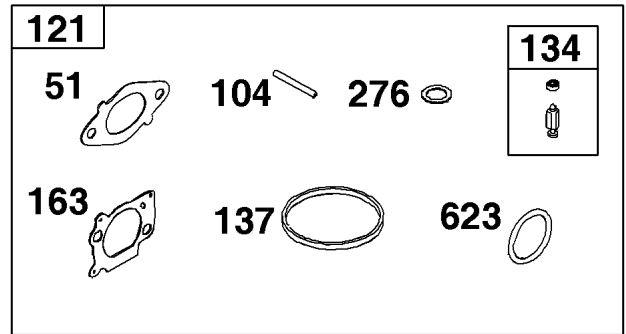
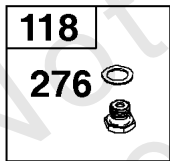
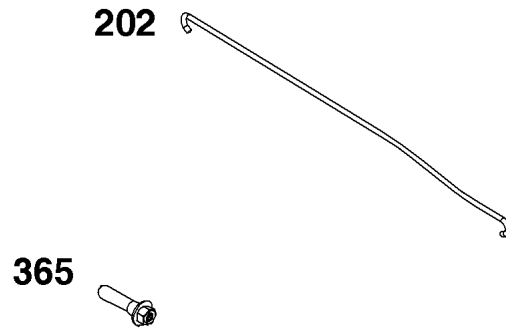
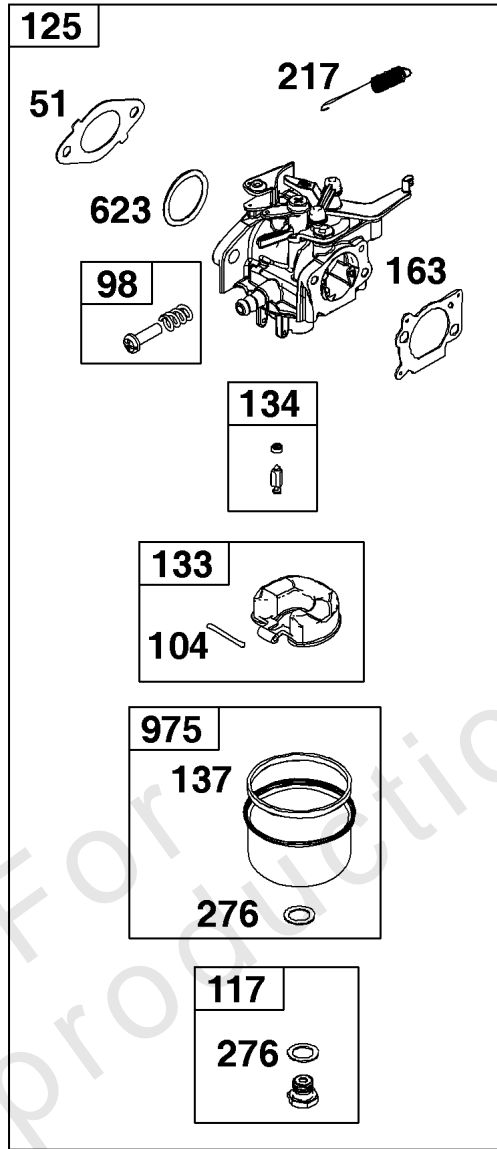
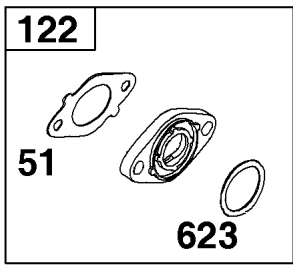
Not For  
Reproduction



## Blower Housing

REF NO	PART NO	QTY	DESCRIPTION
58	JUMPTO58	1	ROPE, Starter
60	JUMPTO60	1	GRIP, Starter Rope
304	796692	1	Housing-Blower
564	690351	1	SCREW -(Control Cover)
564A	799026	1	Screw -(Control Cover)
604	799024	1	Cover-Control
608		1	STARTER, Rewind
925	796531		Cover-Linkage
1036			LABEL, Emissions -(Available from a Briggs & Stratton Authorized Dealer)
1212	796537	1	Stud -(Blower Housing)
1212A	793479	2	Stud -(Blower Housing)
1335	793481	3	Nut -(Blower Housing)

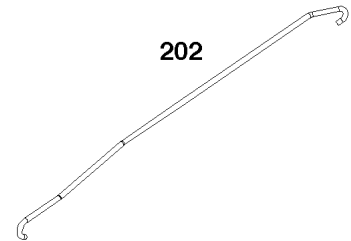
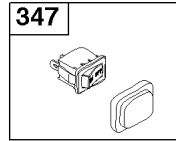
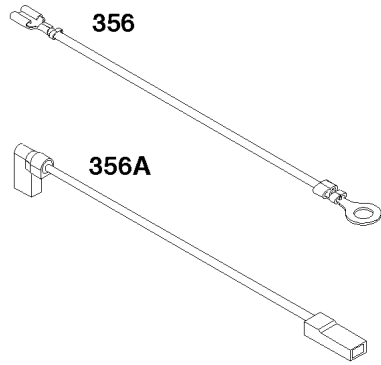
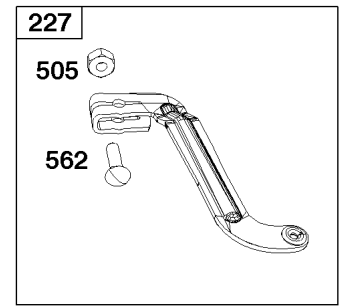
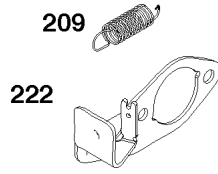
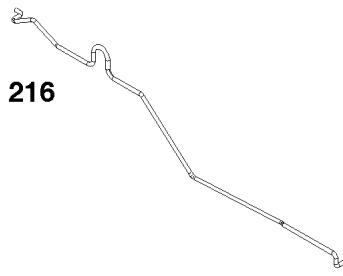
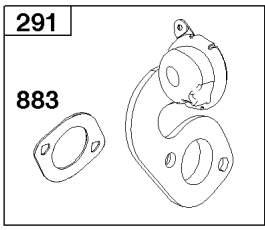
Not For  
Reproduction





## Carburetor Group

REF NO	PART NO	QTY	DESCRIPTION
51	796596	1	Gasket-Intake -(Part information located in Cylinder Head Group.)
98	797156	1	Kit-Idle Speed
104	797622	1	Pin-Float Hinge
117	799227	1	Jet-Main -(Standard)
118	799606	1	Jet-Main -(High Altitude)
121	592172		Kit-Carburetor Overhaul
122	796595	1	Spacer-Carburetor
125	799226	1	Carburetor
133	797626	1	Float-Carburetor
134	799177	1	Kit-Needle/Seat
137	797625	1	Gasket-Float Bowl
163	691894	1	Gasket-Air Cleaner
202	JUMPTO202	1	LINK, Mechanical Governor -(Part information located in Controls Group.)
217	799179	1	Spring-Choke Return
276	797632	1	Washer-Sealing
365	793458	2	Screw -(Carburetor/Throttle Body)
623	793628	1	Seal-O Ring -(Carburetor Spacer)
975	797631	1	Bowl-Float

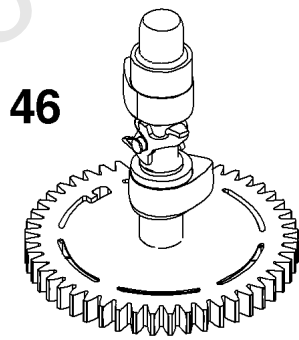
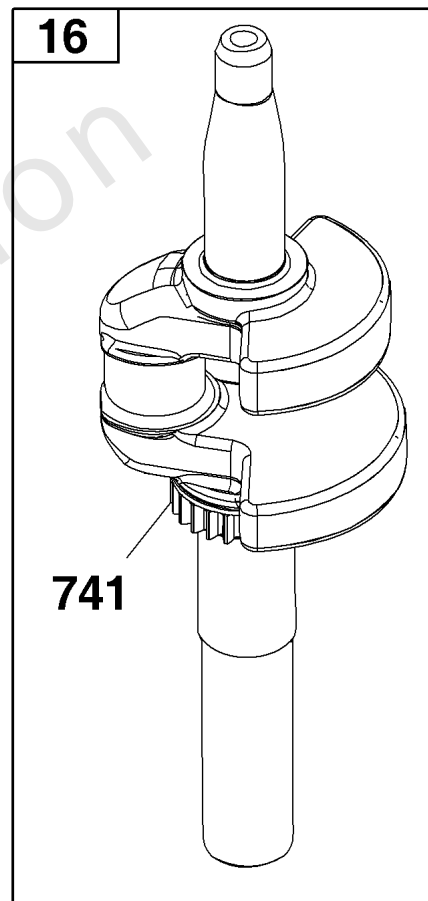
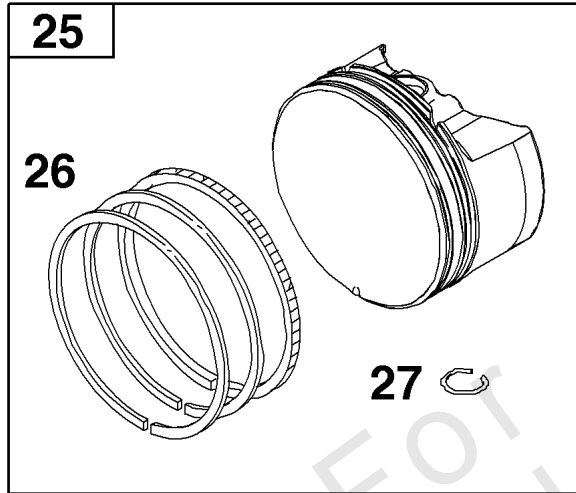
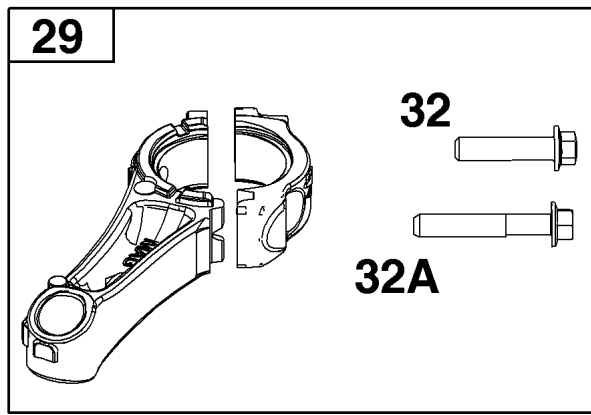
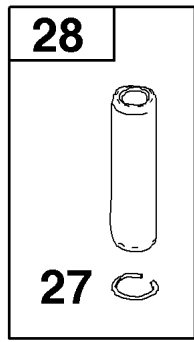


Not For  
Reproduction

## Controls Group

REF NO	PART NO	QTY	DESCRIPTION
188	793480	1	SCREW -(Control Bracket)
202	796657	1	Link-Mechanical Governor
209	793604	1	Spring-Governor
216	798944	1	Link-Choke
222	796482	1	Bracket-Control
227	796487	1	Lever-Governor Control
291	798938	1	Thermostat
347	592694	1	Switch-Rocker
356	798942	1	Wire-Stop
356A	798943	1	Wire-Stop
505	793515	1	NUT -(Governor Control Lever)
562	793514	1	Bolt -(Governor Control Lever)
883		2	GASKET, Exhaust -(Part information located in Exhaust Group.)

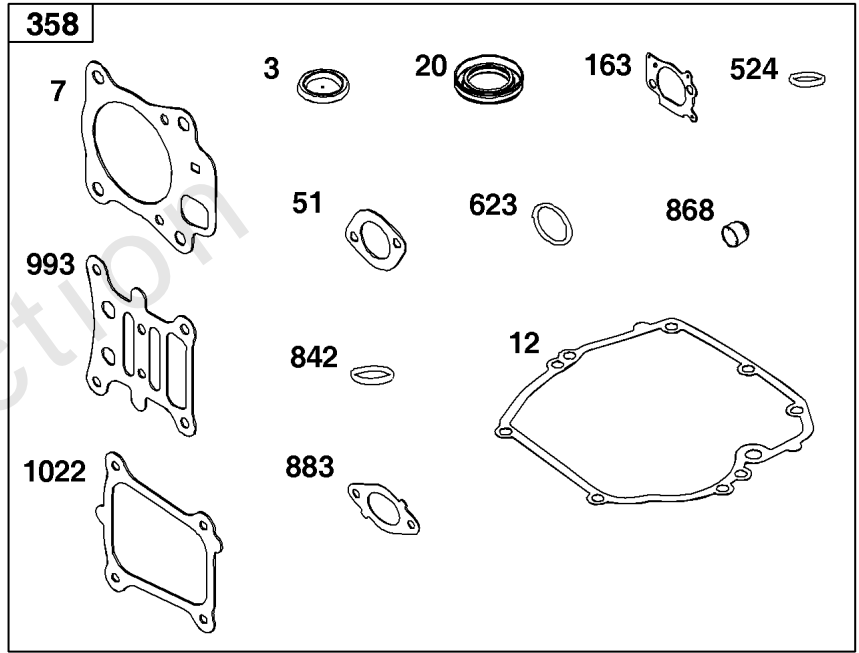
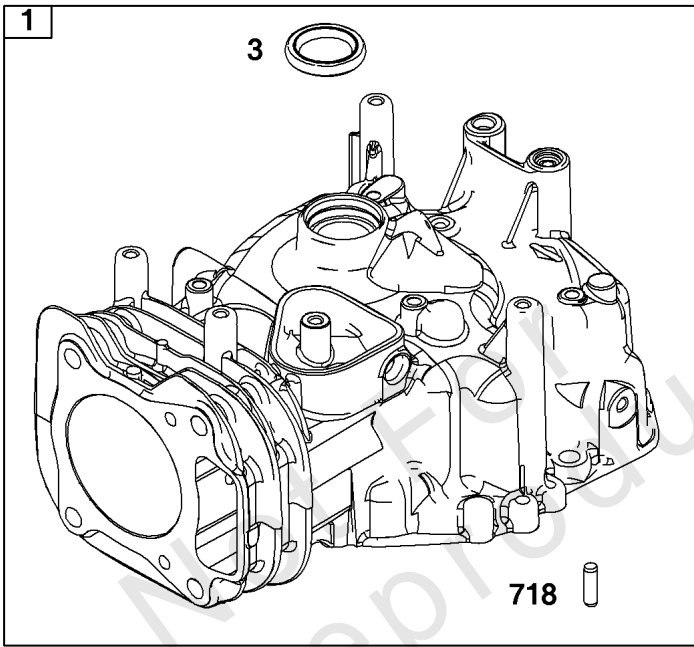
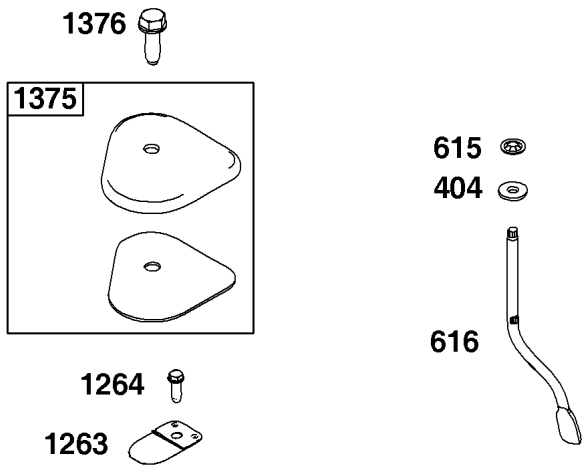
Not For  
Reproduction



## Crankshaft Group

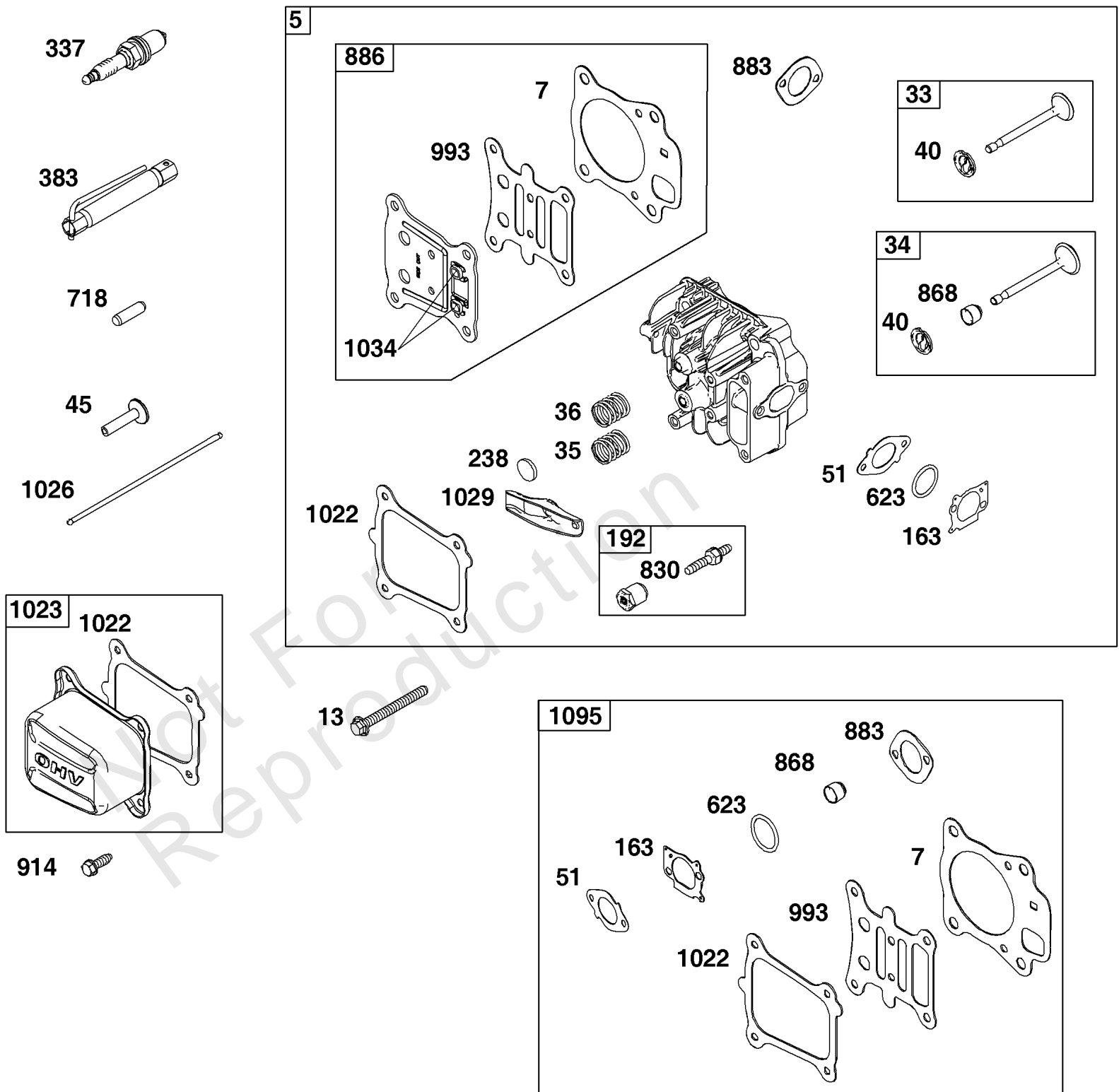
REF NO	PART NO	QTY	DESCRIPTION
16	799337	1	Crankshaft
24	222698S	1	KEY, Flywheel
25	590404	1	Piston Assembly
25	590405	1	Piston Assembly -(.020 Over Size)
26	590402	1	Ring Set
26	590403	1	Ring Set -(.020 Over Size)
27	691588	1	Lock-Piston Pin
28	298909	1	Pin-Piston
29	796470	1	Rod-Connecting
32	691664	1	Screw -(Connecting Rod)
32A	695759	1	Screw (Connecting Rod) -(Connecting Rod)
46	694039		Camshaft
598	592587	1	Shims-End Play Kit -(Crankshaft or Camshaft Bearing)
741	797521	1	Gear-Timing

Not For  
Reproduction



## Cylinder Group

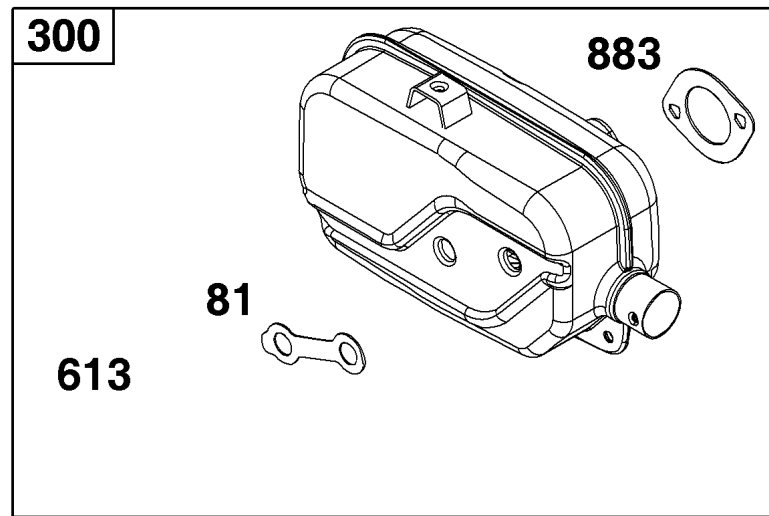
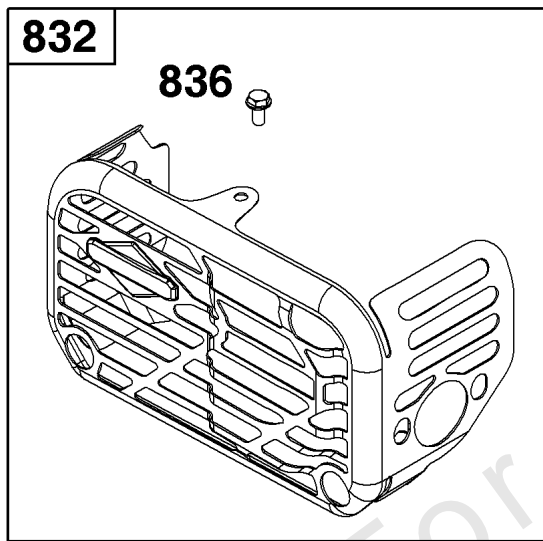
REF NO	PART NO	QTY	DESCRIPTION
1	798947	1	Cylinder Assembly
3	299819S	1	SEAL, Oil -(Magneto Side)
7			GASKET SET, Engine -(Part information located in Cylinder Head Group.)
12			GASKET, Crankcase -(Part information located in Sump Group.)
20			SEAL, Oil -(Part information located in Sump Group.)
51			GASKET, Intake -(Part information located in Carburetor Group.)
163			GASKET, Air Cleaner -(Part information located in Air Cleaner Group.)
358	592173		Gasket Set-Engine -(Service Kits may include extra parts not specific to this engine.)
404	690272	1	WASHER -(Governor Crank)
524		1	SEAL, O-Ring -(Part information located in Sump Group.)
615	690340	1	RETAINER, Governor Shaft
616	798327	1	Crank-Governor
623		1	SEAL, O-Ring -(Part information located in Carburetor Group.)
718	690959	1	PIN, Locating
842		1	SEAL, O-Ring -(Part information located in Sump Group.)
868		1	SEAL, Valve -(Part information located in Cylinder Head Group.)
883		1	GASKET, Exhaust -(Part information located in Exhaust Group.)
993	796473	1	Gasket-Cylinder Head Plate -(Part information located in Cylinder Head Group.)
1022		1	GASKET, Rocker Cover -(Part information located in Cylinder Head Group.)
1263	697124	1	REED, Breather
1264	793453	1	SCREW -(Breather Reed)
1319	278911GS	1	LABEL, Warning Decal -(REQUIRED When Replacing Parts With Warning Labels Affixed)
1375	796476	1	Cover-Breather Reed
1376	794451	1	Screw -(Breather Reed Cover)





## Cylinder Head Group

REF NO	PART NO	QTY	DESCRIPTION
5	796471	1	Head-Cylinder
7	796475	1	Gasket-Cylinder Head
13	793451	4	Screw -(Cylinder Head)
33	499642	1	Valve-Exhaust
34	795443	1	Valve-Intake
35	691304	2	Spring-Valve -(Intake)
36	691304		Spring-Valve -(Exhaust)
40	692194	2	Retainer-Valve
45	690977	2	TAPPET, Valve
51	796596	1	Gasket-Intake
163		1	GASKET, Air Cleaner -(Part information located in Carburetor Group.)
192	796631	2	Adjuster-Rocker Arm
238	691300	2	Cap-Valve
337	692720	1	PLUG, Spark
383			WRENCH, Spark Plug -(Part information located in Service Parts Group.)
623	793628	1	Seal-O Ring -(Part information located in Carburetor Group.)
718		1	PIN, Locating -(Part information located in Cylinder Group.)
830	796472	2	Stud-Rocker Arm
868	795440	1	Seal-Valve
883		1	GASKET, Exhaust -(Part information located in Exhaust Group.)
886	799492	1	Gasket Kit-Cylinder Head/Plate
914	793454	1	Screw -(Rocker Cover)
993	796473	1	Gasket-Cylinder Head Plate
1022	796480	1	Gasket-Rocker Cover
1023	796479	1	Cover-Rocker
1026	796481	1	Rod-Push
1029	691230	2	Arm-Rocker
1034	691343	2	Guide-Push Rod
1095			GASKET SET, Valve -(Part information located in Service Parts Group.)

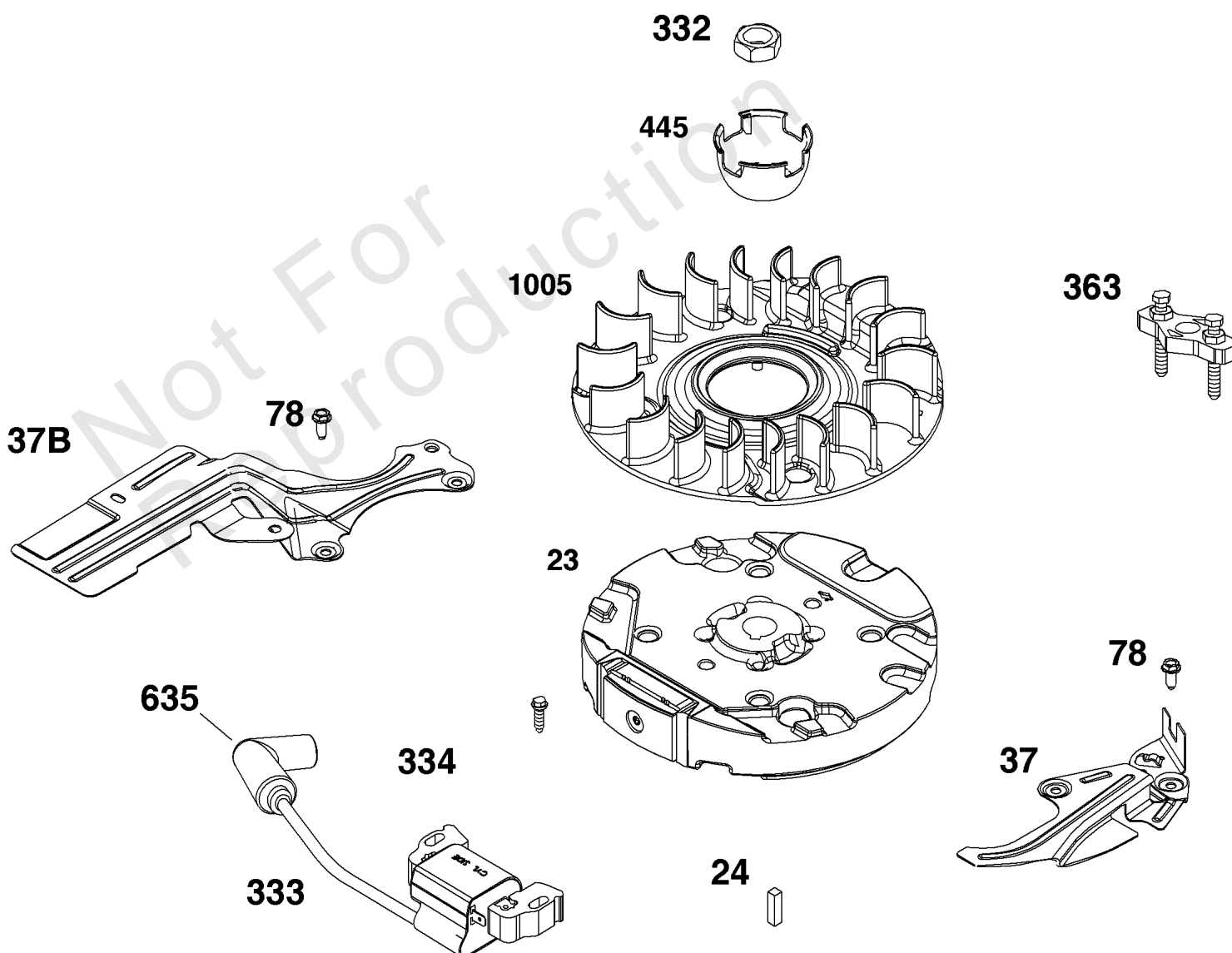
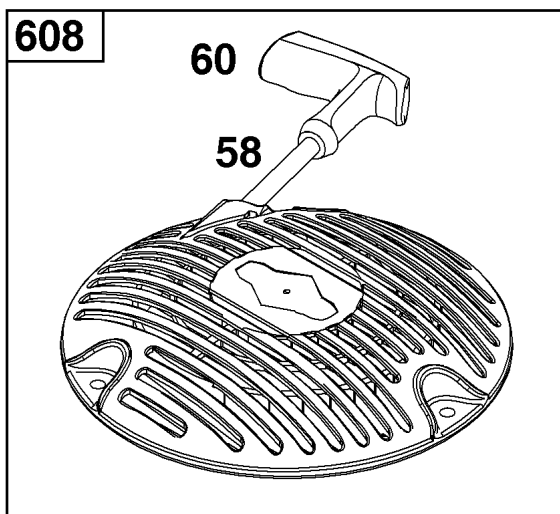


Not For  
Reproduction

## *Exhaust Group*

REF NO	PART NO	QTY	DESCRIPTION
81	691740	1	Lock-Muffler Screw
300	798940	1	Muffler
613	796496	2	Screw -(Muffler)
676	799187	1	Deflector-Muffler
832	593411	1	Guard-Muffler
836	793500	3	Screw -(Muffler Guard)
883	793497	2	Gasket-Exhaust

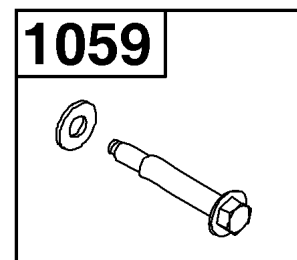
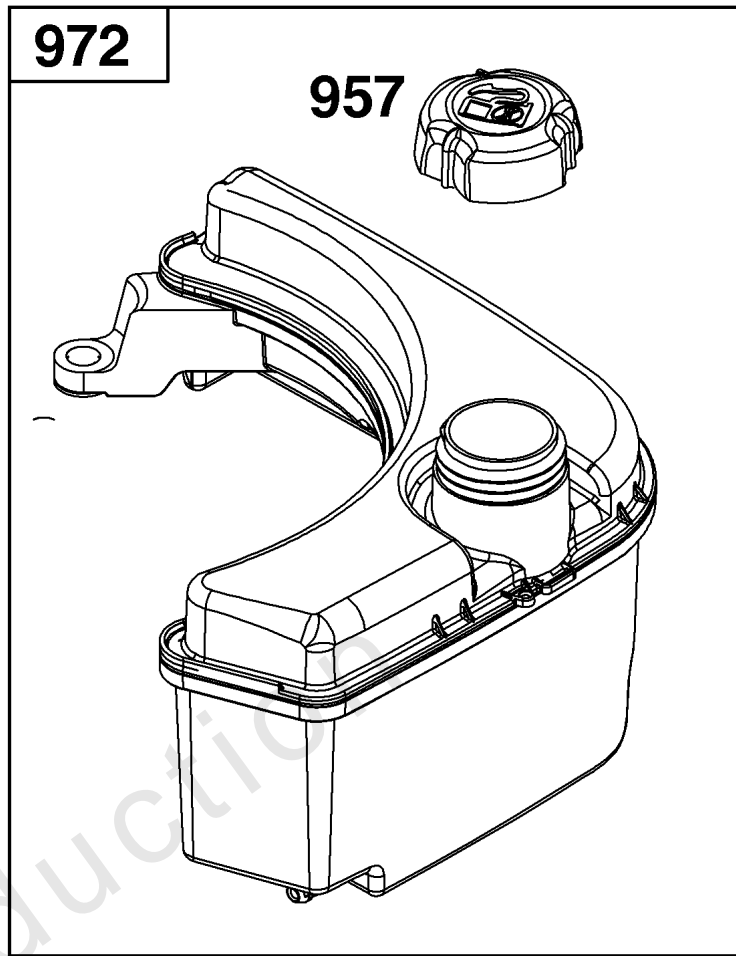
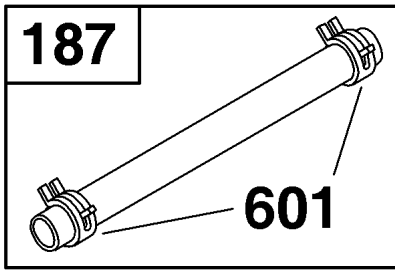
Not For  
Reproduction



## ***Flywheel, Ignition, and Starter Group***

REF NO	PART NO	QTY	DESCRIPTION
23	595288	1	Flywheel
24	222698S	1	KEY, Flywheel
37	590921	1	Guard-Flywheel
37B	799155	1	Guard-Flywheel
58	697316	1	Rope-Starter -#REF!
60	281434	1	Grip-Starter Rope
78	793480		SCREW -(Flywheel Guard)
332	690662	1	Nut -(Flywheel)
333	595291	1	Armature-Magneto
334	793454	1	Screw -(Magneto Armature)
363	19069	1	Puller-Flywheel (Optional Accessory) -(Part information located in Service Parts and Tools Group.)
445	796615	1	CUP, Flywheel
608	796497	1	Starter-Rewind
635	692076	1	BOOT, Spark Plug
1005	796614	1	Fan-Flywheel

Not For  
Reproduction



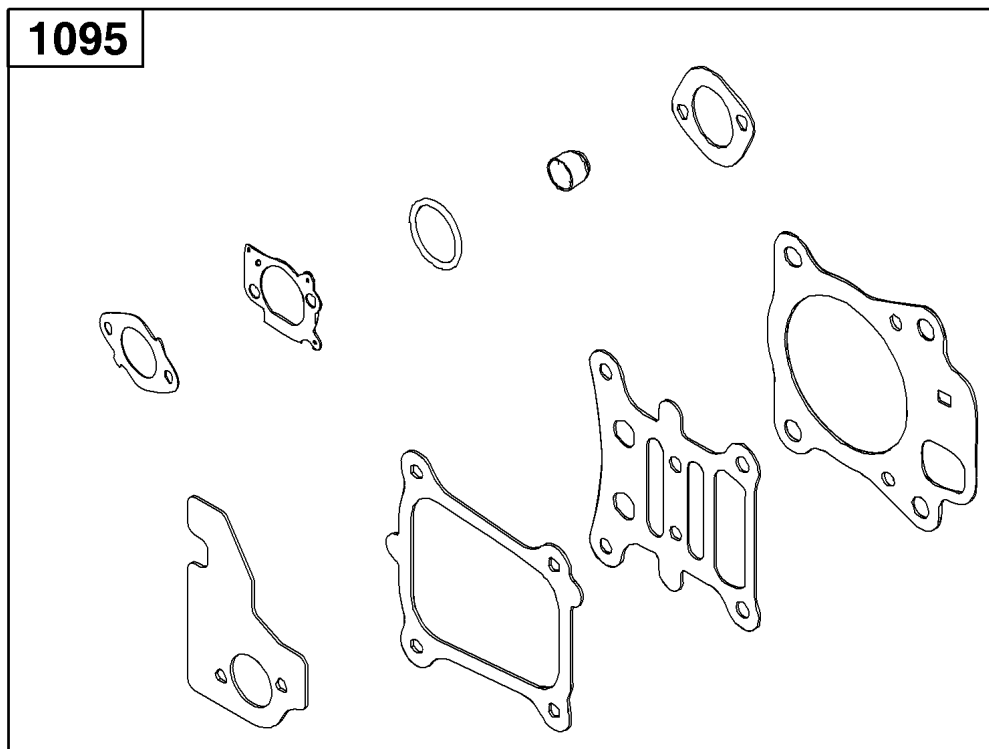
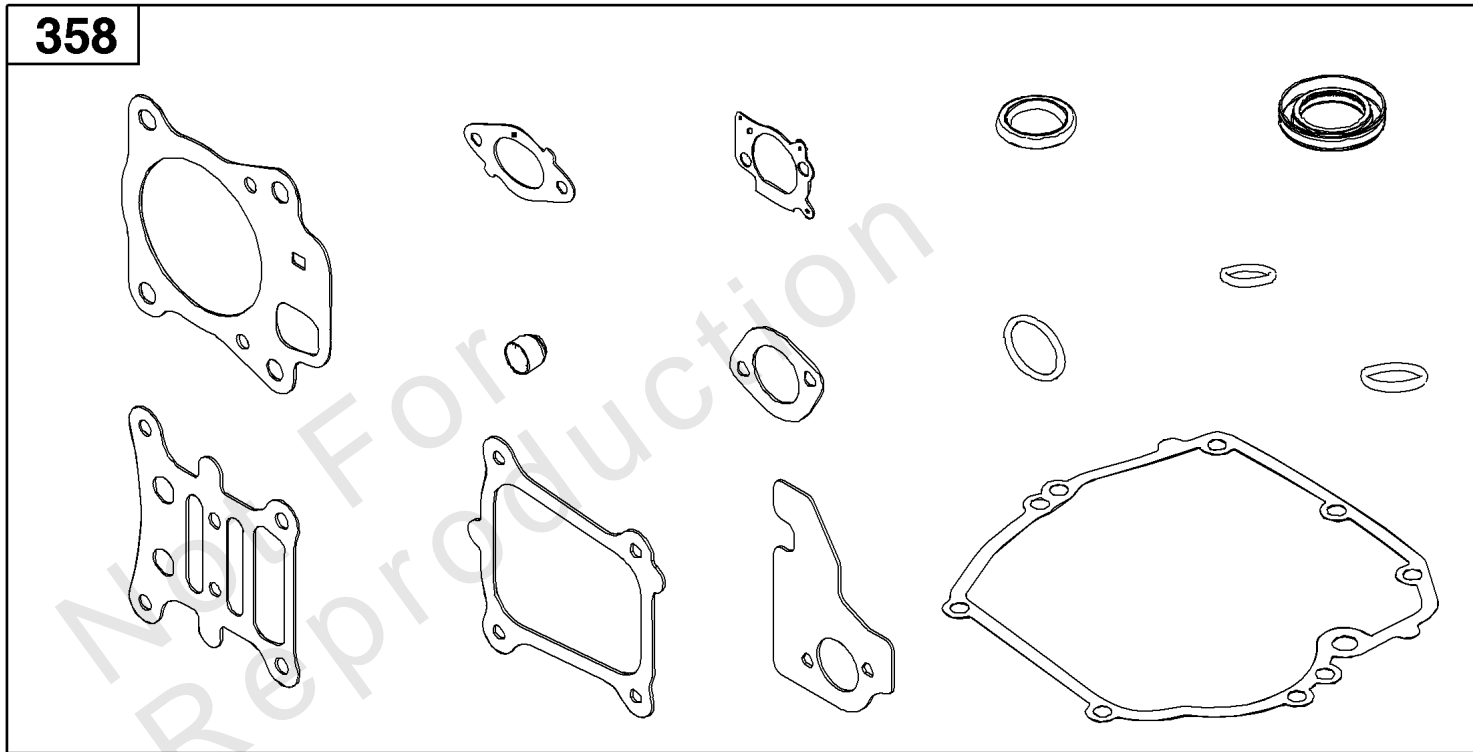
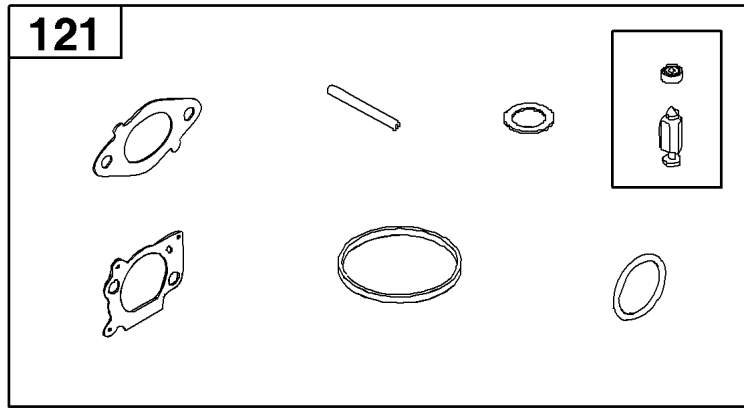
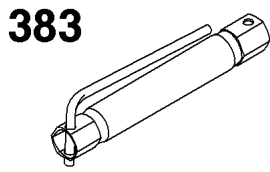
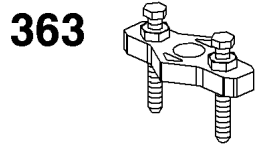
Not For  
Reproduction

## *Fuel Supply Group*

---

REF NO	PART NO	QTY	DESCRIPTION
187	791766	1	LINE, Fuel -(Cut To Required Length)
601	791850	2	CLAMP, Hose
670	793485	1	Spacer-Fuel Tank
957	692046	1	Cap-Fuel Tank
972	590477	1	Tank-Fuel
1059	793471	1	Kit-Screw/Washer

Not For  
Reproduction




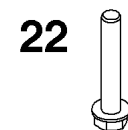
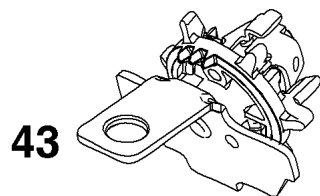
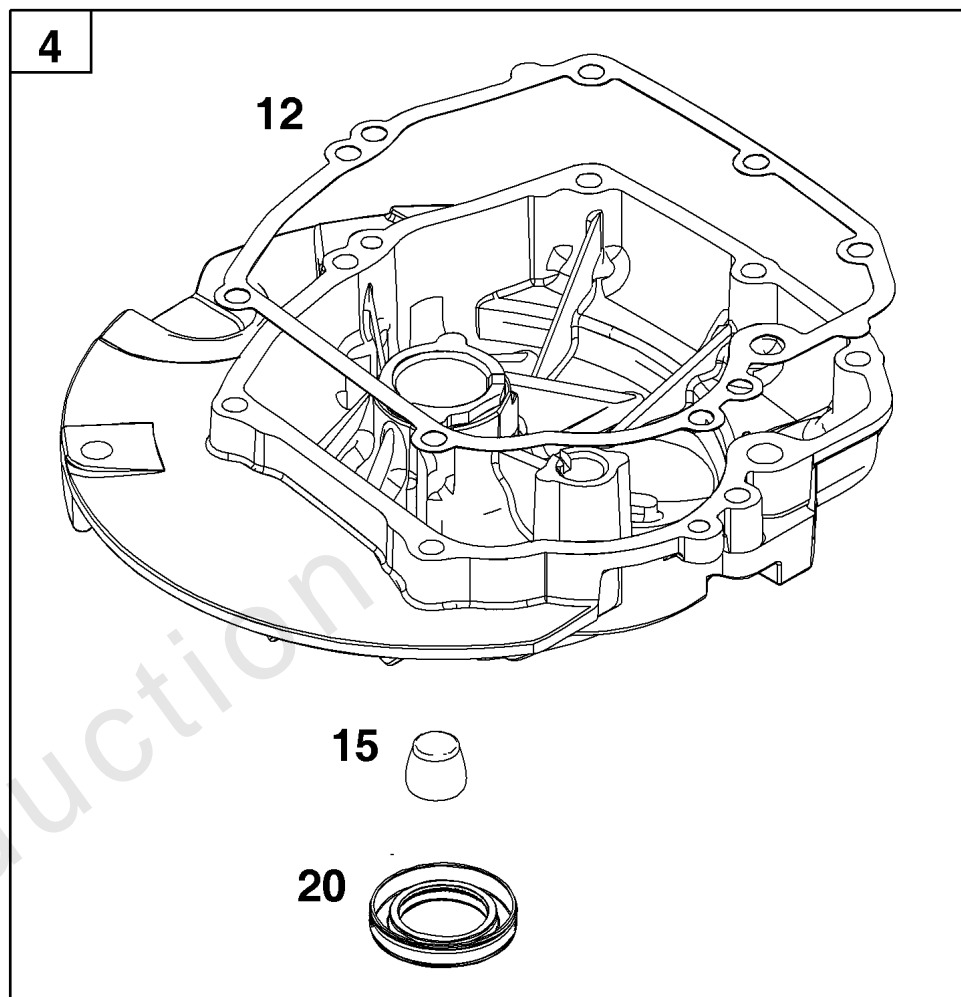
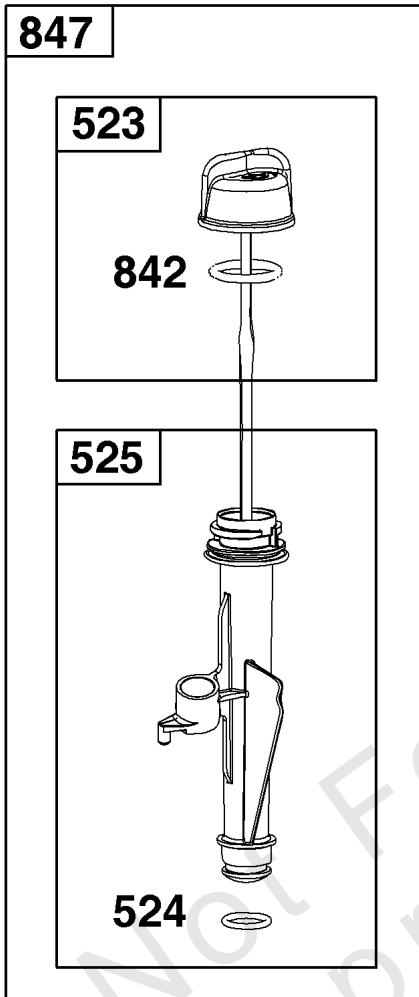


## ***Service Parts and Tools Group***

<b>REF NO</b>	<b>PART NO</b>	<b>QTY</b>	<b>DESCRIPTION</b>
121	592172		Kit-Carburetor Overhaul -(Service Kits may include extra parts not specific to this engine.)
358	592173		Gasket Set-Engine -(Service Kits may include extra parts not specific to this engine.)
363	19069		Puller-Flywheel (Optional Accessory)
383	19576S		WRENCH, Spark Plug
1095	592174		Gasket Set-Valve -(Service Kits may include extra parts not specific to this engine.)

Not For  
Reproduction

718 



## Sump Group

REF NO	PART NO	QTY	DESCRIPTION
4	493279	1	Sump, Engine
12	692232	1	Gasket-Crankcase
15	691680		Plug-Oil Drain (Hex Head)
20	399781S	1	Seal-Oil -(PTO Side)
22	691092	1	Screw (Crankcase Cover Sump) -(Crankcase Cover/Sump)
43	593913	1	SLINGER, Governor/Oil
523	796503	1	DIPSTICK
524	692296	1	Seal-Dipstick Tube -(Dipstick Tube)
525	796502	1	Tube-Dipstick
718		2	PIN, Locating -(Part information located in Cylinder Group.)
842	691031	1	SEAL, O-Ring -(Dipstick Cap)
847	796501	1	Dipstick/Tube Assembly

Not For  
Reproduction

