



# Illustrated Parts List

## Model Series

# 09S500

TYPE NUMBERS  
0520 through 3707.

### TABLE OF CONTENTS

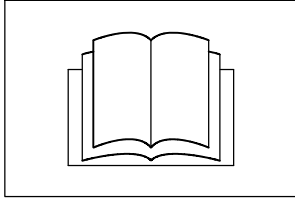
|                                   |   |
|-----------------------------------|---|
| Air Cleaner .....                 | 5 |
| Blower Housing/Shrouds .....      | 6 |
| Brake .....                       | 5 |
| Camshaft .....                    | 3 |
| Carburetor .....                  | 4 |
| Controls .....                    | 5 |
| Crankcase Cover/Sump .....        | 3 |
| Crankshaft .....                  | 3 |
| Cylinder .....                    | 2 |
| Cylinder Head .....               | 2 |
| Exhaust System .....              | 5 |
| Flywheel .....                    | 6 |
| Fuel Supply .....                 | 4 |
| Gasket Set - Engine .....         | 2 |
| Gasket Set - Valve .....          | 2 |
| Governor Spring .....             | 5 |
| Ignition .....                    | 5 |
| Lubrication .....                 | 2 |
| Operator's Manual .....           | 2 |
| Piston/Rings/Connecting Rod ..... | 3 |
| Rewind Starter .....              | 6 |
| Warning Label .....               | 2 |



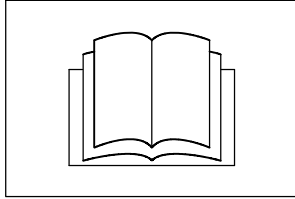
PRINTED IN U.S.A.

COPYRIGHT by BRIGGS & STRATTON CORPORATION  
All rights reserved. No part of this material may be reproduced or transmitted, in any form or by any means, electronic or mechanical, including photocopying, recording or by any information storage and retrieval system, without permission in writing from Briggs & Stratton Corporation.

1058 OPERATOR'S MANUAL



1330 REPAIR MANUAL

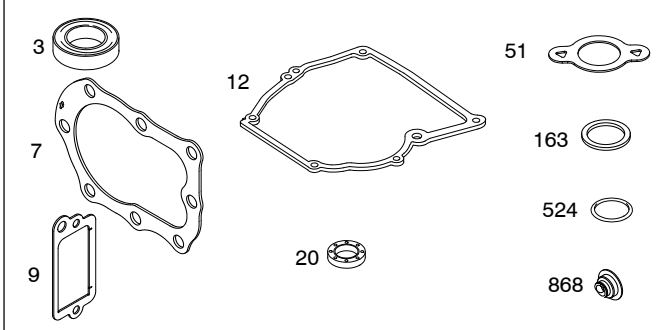


1319 WARNING LABEL

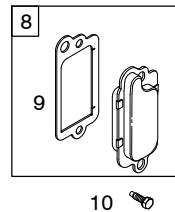
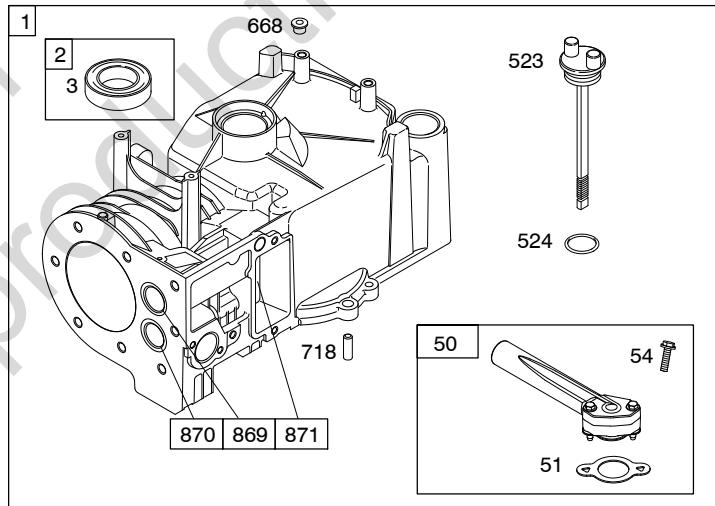
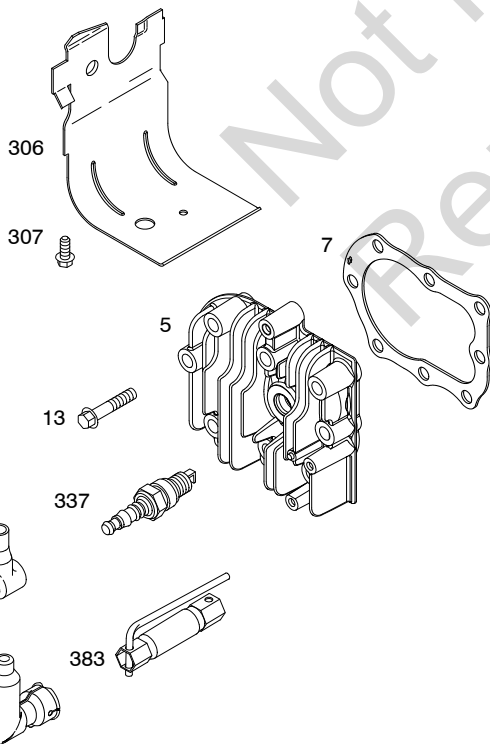
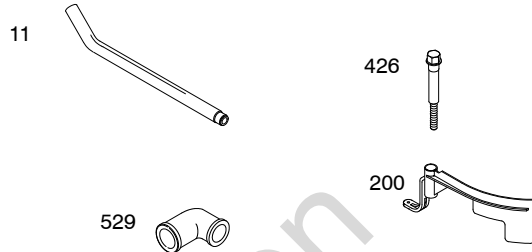
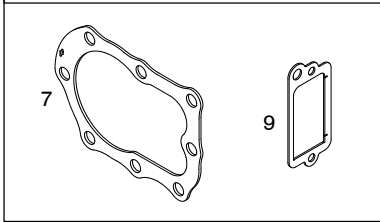
|                |  |
|----------------|--|
| <b>WARNING</b> |  |
|                | Read and follow Operating Instructions before running engine.                    |
|                | Gasoline is flammable. Allow engine to cool at least 2 minutes before refueling. |
|                | Engines emit carbon monoxide, DO NOT run in enclosed area.                       |
|                | Muffler area temperature may exceed 150°F. Do not touch hot parts.               |

**REQUIRED** when replacing parts with warning labels affixed.

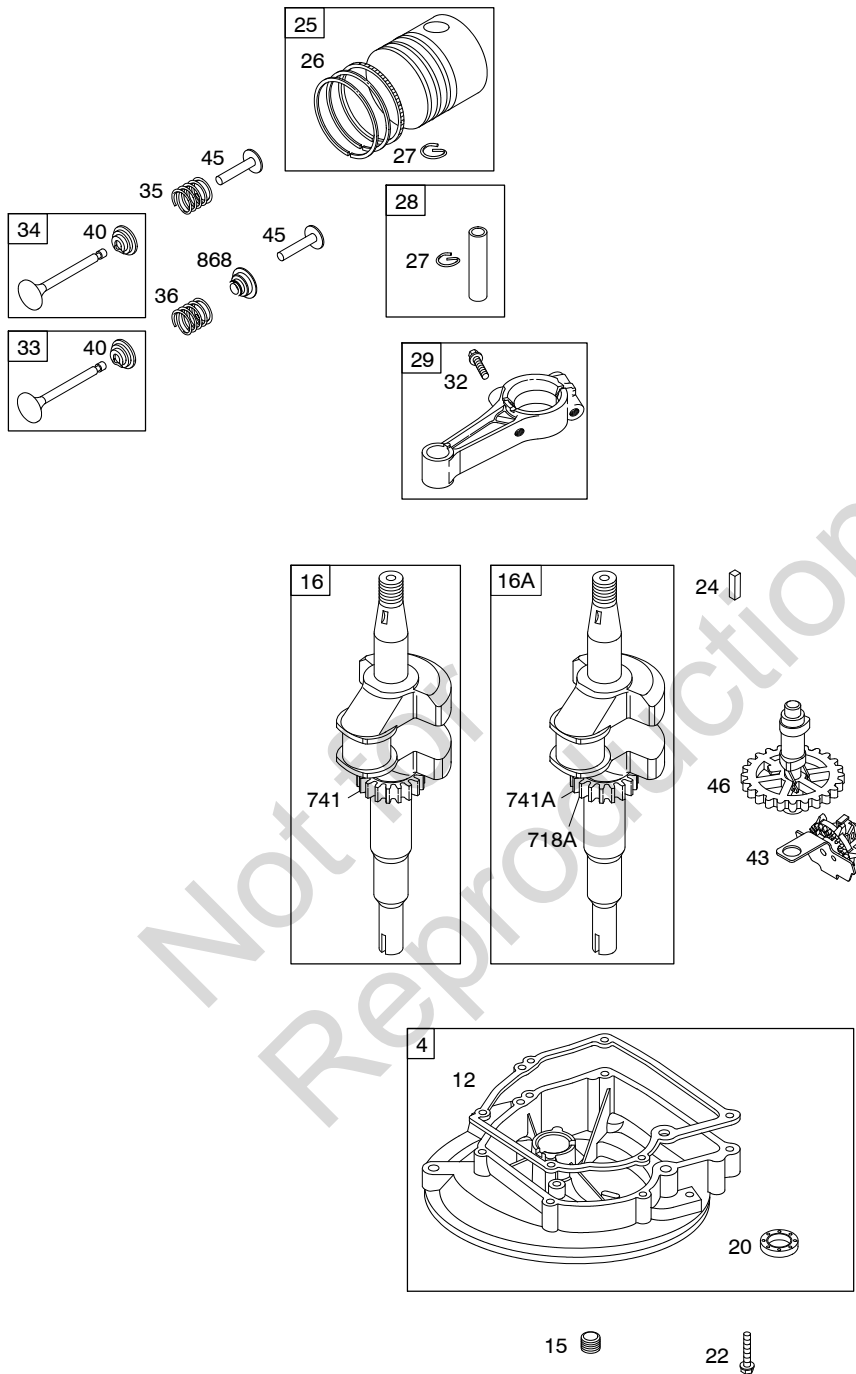
358 ENGINE GASKET SET



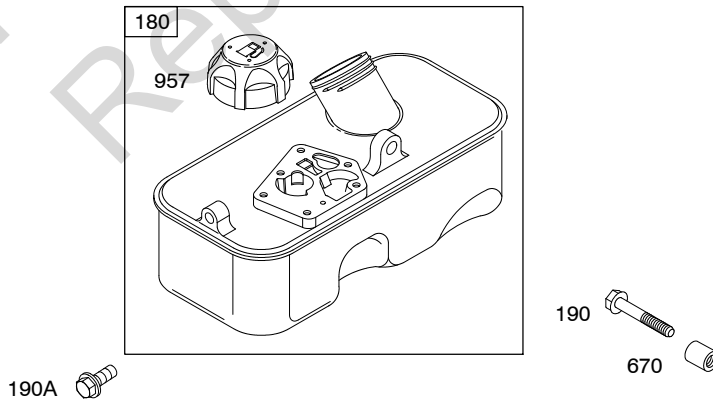
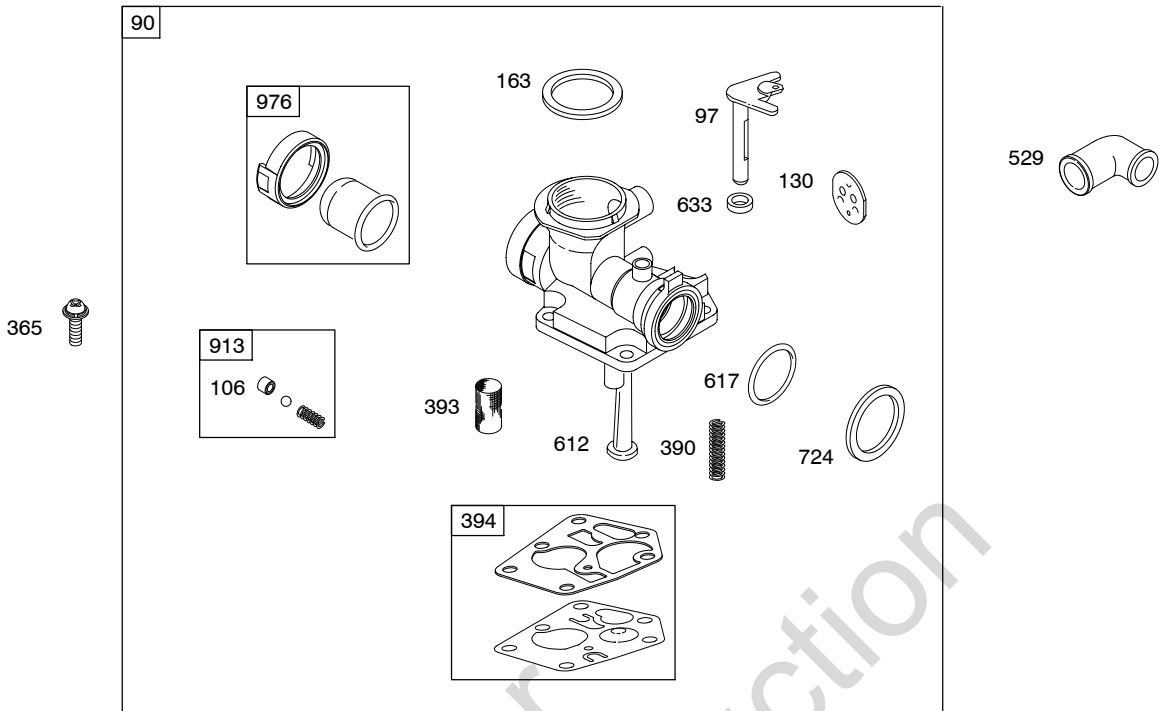
1095 VALVE GASKET SET



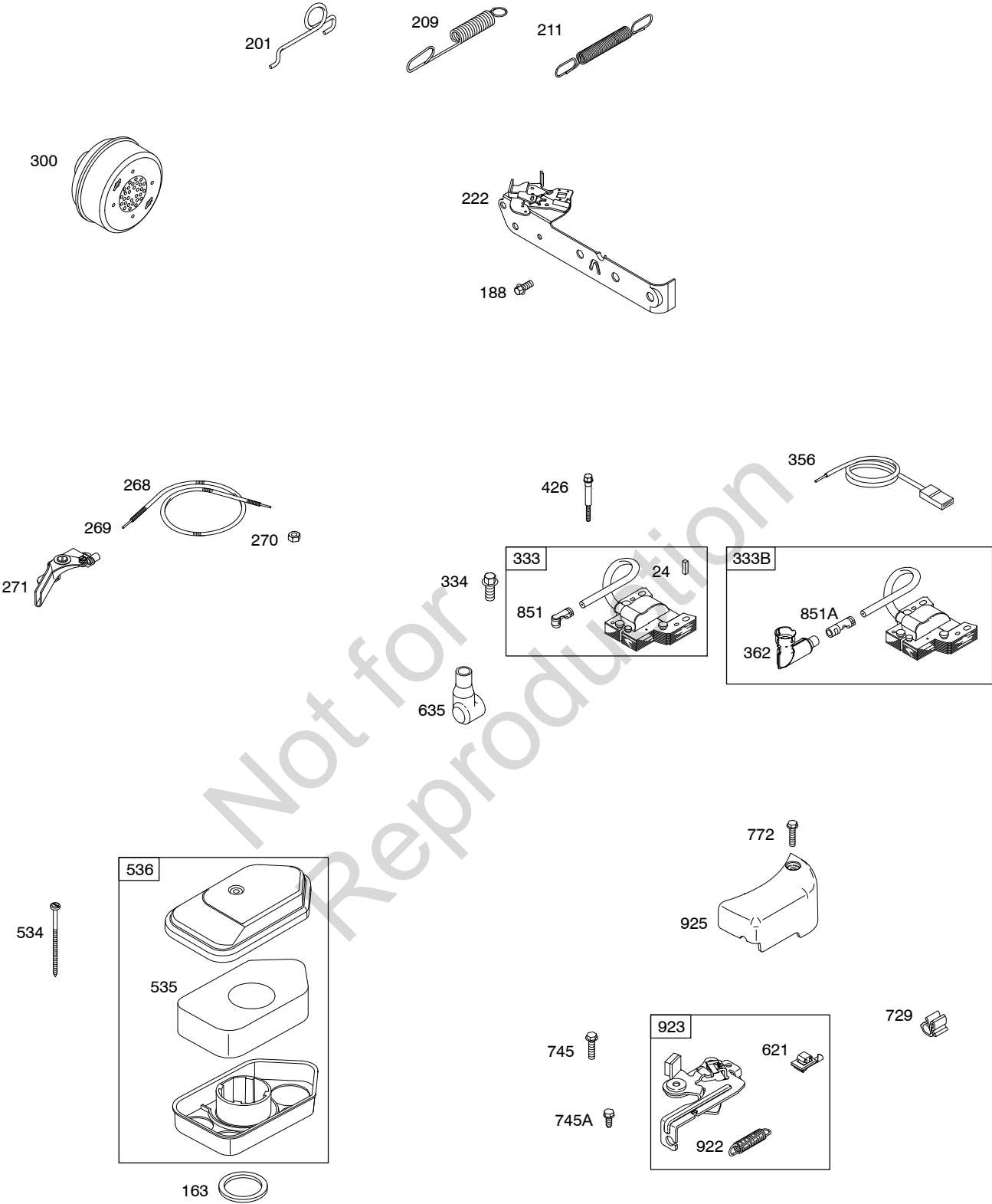
Illustrations cover a range of engines. Parts shown without corresponding text may not be used on your specific engine.  
 3727-2 Assemblies include all parts shown in frames. 09/30/2010



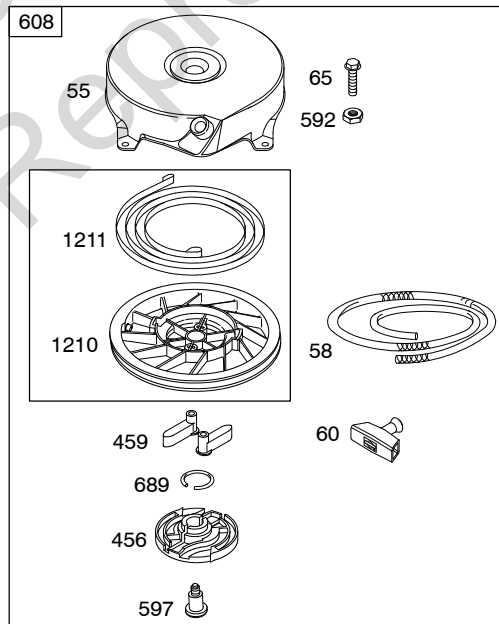
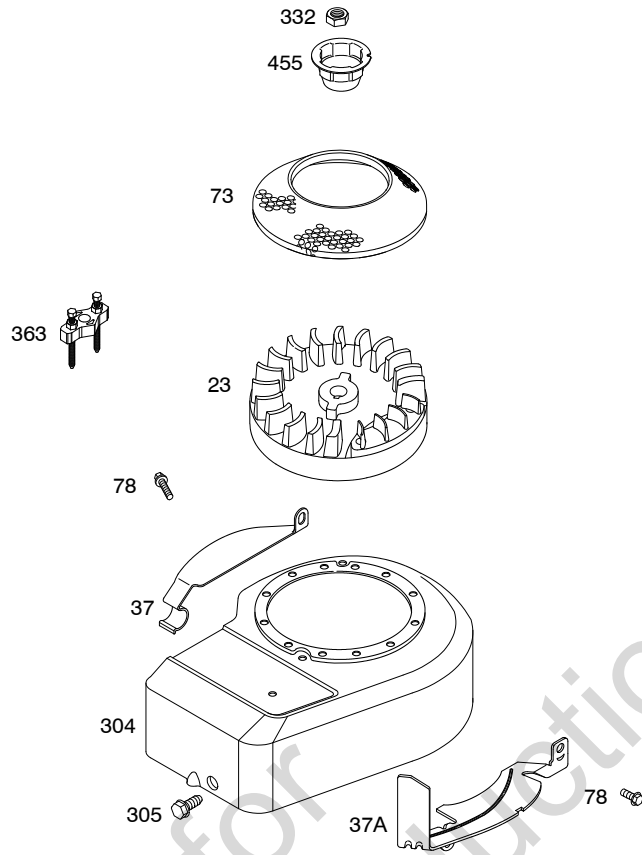
Illustrations cover a range of engines. Parts shown without corresponding text may not be used on your specific engine.  
 3727-3 Assemblies include all parts shown in frames. 09/30/2010



Illustrations cover a range of engines. Parts shown without corresponding text may not be used on your specific engine.  
3727-4 Assemblies include all parts shown in frames. 09/30/2010



*Illustrations cover a range of engines. Parts shown without corresponding text may not be used on your specific engine.*  
**3727-5 Assemblies include all parts shown in frames. 09/30/2010**



Illustrations cover a range of engines. Parts shown without corresponding text may not be used on your specific engine.  
3727-6 Assemblies include all parts shown in frames. 09/30/2010

| REF. NO.   | PART NO. | DESCRIPTION  | REF. NO.         | PART NO. | DESCRIPTION  | REF. NO.   | PART NO. | DESCRIPTION  |
|--|----------|--|------------------|----------|--|--|----------|--|
| 1  | 699653   | Cylinder Assembly  | 22               | 692551   | Screw<br>(Crankcase<br>Cover/Sump)   | 58   | 697316   | Rope-Starter<br>(88 5/8" Long)<br>Used on Type No(s).<br>0520, 0705, 0707,<br>1019, 1020, 1042,<br>1051, 1109, 3707. |
| 2  | 796961   | Kit-Bushing/Seal<br>(Magneto Side)   | 23               | 795549   | Flywheel<br>Used on Type No(s).<br>0520, 0705, 0707,<br>1019, 1020, 1041,<br>1051, 1109, 3707. | 60   | 691915   | Grip-Starter Rope  |
| 3  | 299819S  | Seal-Oil<br>(Magneto Side)   | 24               | 222698S  | Key-Flywheel   | 65   | 690837   | Screw<br>(Rewind Starter)  |
| 4  | 798264   | Sump-Engine  | 25               | 795691   | Piston Assembly<br>(Standard)  | 73   | 699850   | Screen-Rotating<br>Used on Type No(s).<br>0520, 0705, 0707,<br>1019, 1020, 1042,<br>1051, 1109, 3707.                |
| 5  | 790169   | Head-Cylinder  | ----- Note ----- |          |  | 78   | 692198   | Screw<br>(Flywheel Guard)  |
| 7  | 698717   | Gasket-Cylinder Head   | 26               | 795690   | Ring Set<br>(Standard)   | 90   | 795477   | Carburetor   |
| 8  | 791781   | Breather Assembly  | ----- Note ----- |          |  | 97   | 691931   | Shaft-Throttle   |
| 9  | 695890   | Gasket-Breather  | 27               | 691588   | Lock-Piston Pin  | 106  | 691901   | Seat-Inlet   |
| 10   | 691666   | Screw<br>(Breather Assembly)   | 28               | 699659   | Pin-Piston   | 130  | 691190   | Valve-Throttle   |
| 11   | 691245   | Tube-Breather  | 29               | 699655   | Rod-Connecting<br>(Standard)   | 163  | 271139S  | Gasket-Air Cleaner   |
| 12   | 692218   | Gasket-Crankcase<br>(.015" Thick)<br>(Standard)                                      | 32               | 691664   | Screw<br>(Connecting Rod)  | 180  | 494406   | Tank-Fuel  |
| ----- Note -----   |          |  | 33               | 296676   | Valve-Exhaust  | 188  | 692198   | Screw<br>(Control Bracket)   |
| 270895 Gasket-Crankcase<br>(.005" Thick)   |          |  | 34               | 296677   | Valve-Intake   | 190  | 691640   | Screw<br>(Fuel Tank)<br>(1 3/4" Long)  |
| 270896 Gasket-Crankcase<br>(.009" Thick)   |          |  | 35               | 690520   | Spring-Valve<br>(Intake)   | 190A   | 691108   | Screw<br>(Fuel Tank)<br>(9/16" Long)   |
| 13   | 691640   | Screw<br>(Cylinder Head)   | 36               | 690520   | Spring-Valve<br>(Exhaust)  | 200  | 691912   | Blade-Governor   |
| 15   | 691680   | Plug-Oil Drain   | 37               | 690482   | Guard-Flywheel<br>(Carburetor Side)  | 201  | 690347   | Link-Air Vane  |
| 16   | 796211   | Crankshaft<br>Used on Type No(s).<br>0707, 1019, 1020,<br>1042, 1051, 1109,<br>3707. | 37A              | 691209   | Guard-Flywheel<br>(Muffler Side)   | 209  | 690251   | Spring-Governor<br>Used on Type No(s).<br>0707, 1019, 1020,<br>1042, 1051, 1109,<br>3707.                            |
| ----- Note -----   |          |  | 40               | 692194   | Retainer-Valve   | ----- Note -----   |          |  |
| 796212 Crankshaft<br>Used on Type No(s).<br>0705.  |          |  | 43               | 698690   | Slinger-Governor/Oil   | 691297 Spring-Governor<br>Used on Type No(s).<br>0520, 0705. |          |  |
| 796213 Crankshaft<br>(Used After Code Date<br>08071300).<br>Used on Type No(s).<br>0520. |          |  | 45               | 691762   | Tappet-Valve   | 211  | 691859   | Spring-Governed Idle   |
| 16A  | 692991   | Crankshaft<br>(Used Before Code<br>Date 08071400).<br>Used on Type No(s).<br>0520.   | 46               | 691998   | Camshaft   | 222  | 691446   | Bracket-Control  |
| 20   | 391483S  | Seal-Oil<br>(PTO Side)   | 50               | 699644   | Manifold-Intake  | 268  | 691025   | Casing-Control Wire<br>(Cut to Required<br>Length)   |
|  |          |  | 51               | 699649   | Gasket-Intake  |  |          |  |
|  |          |  | 54               | 691111   | Screw<br>(Intake Manifold)   |  |          |  |
|  |          |  | 55               | 692144   | Housing-Rewind<br>Starter  |  |          |  |

Illustrations cover a range of engines. Parts shown without corresponding text may not be used on your specific engine.  
3727-7 Assemblies include all parts shown in frames. 09/30/2010

# 09S500

| REF. NO. | PART NO. | DESCRIPTION  | REF. NO. | PART NO. | DESCRIPTION  | REF. NO. | PART NO. | DESCRIPTION   |
|----------|----------|--|----------|----------|--|----------|----------|---|
| 269      | 691026   | Wire-Control<br>(Cut to Required Length)   | 455      | 691236   | Cup-Flywheel   | 724      | 697478   | Retainer-Seal   |
| 270      | 691027   | Nut<br>(Control Wire Casing)   | 456      | 692299   | Plate-Pawl Friction  | 729      | 690586   | Clip-Wire   |
| 271      | 691028   | Lever-Control  | 459      | 281505S  | Pawl-Ratchet   | 741      | 796210   | Gear-Timing<br>(Used After Code Date 08071300).   |
| 300      | 394569S  | Muffler<br>(Round Lo Tone)<br>Used on Type No(s).<br>0520, 0705, 0707,<br>1019, 1020, 1042,<br>1051, 1109, 3707.             | 523      | 691913   | Dipstick<br>Used on Type No(s).<br>0520, 0705, 0707,<br>1019, 1020, 1042,<br>1051, 1109, 3707.                         | 741A     | 691805   | Gear-Timing<br>(Used Before Code Date 08071400).  |
| 304      | 691484   | Housing-Blower<br>(Compliance Engines)<br>Used on Type No(s).<br>0520, 0705, 0707,<br>1019, 1020, 1042,<br>1051, 1109, 3707. | 524      | 691876   | Seal-Dipstick Tube<br>Used on Type No(s).<br>0520, 0705, 0707,<br>1019, 1020, 1042,<br>1051, 1109, 3707.               | 745      | 691146   | Screw<br>(Brake)<br>(7/8" Long)   |
| 305      | 692198   | Screw<br>(Blower Housing)  | 529      | 692189   | Grommet  | 745A     | 690859   | Screw<br>(Brake)<br>(1/2" Long)   |
| 306      | 690400   | Shield-Cylinder  | 534      | 691417   | Screw<br>(Air Cleaner)   | 772      | 691111   | Screw<br>(Linkage Cover)  |
| 307      | 690345   | Screw<br>(Cylinder Shield)   | 535      | 698369   | Filter-Air Cleaner<br>Foam   | 851      | 493880S  | Terminal-Spark Plug   |
| 332      | 690662   | Nut<br>(Flywheel)  | 536      | 698472   | Cleaner-Air  | 851A     | 692424   | Terminal-Spark Plug   |
| 333      | 793281   | Armature-Magneto   | 592      | 690800   | Nut<br>(Rewind Starter)  | 868      | 697338   | Seal-Valve  |
| 333B     | 793352   | Armature-Magneto<br>(Snap In Spark Plug Boot)<br>Used on Type No(s).<br>1042, 1109.  | 597      | 691696   | Screw<br>(Pawl Friction Plate)   | 869      | 699641   | Seat-Valve<br>(Intake)  |
| 334      | 691061   | Screw<br>(Magneto Armature)  | 608      | 499706   | Starter-Rewind<br>(88 5/8" Rope)<br>Used on Type No(s).<br>0520, 0705, 0707,<br>1019, 1020, 1042,<br>1051, 1109, 3707. | 870      | 699642   | Seat-Valve<br>(Exhaust)   |
| 337      | 796112S  | Plug-Spark<br>Used on Type No(s).<br>0520, 0705, 0707,<br>1019, 1020, 1042,<br>1051, 1109, 3707.                             | 612      | 496046S  | Tube-Pick Up   | 871      | 699643   | Bushing-Valve Guide<br>(Exhaust Valve)<br>----- Note -----<br>63709 Bushing-Valve Guide<br>(Intake Valve) |
| 356      | 692390   | Wire-Stop  | 617      | 270344S  | Seal-O Ring<br>(Intake Manifold)   | 913      | 494409   | Seat-Check Valve  |
| 358      | 794209   | Gasket Set-Engine  | 621      | 692310   | Switch-Stop<br>Used on Type No(s).<br>0520, 0705, 0707,<br>1019, 1020, 1042,<br>1051, 1109, 3707.                      | 922      | 692135   | Spring-Brake  |
| 362      | 793351   | Shield-Spark Plug<br>Used on Type No(s).<br>1042, 1109.  | 633      | 691321   | Seal-Choke/Throttle<br>Shaft<br>(Throttle)   | 923      | 691487   | Brake<br>Used on Type No(s).<br>0520, 0705, 0707,<br>1019, 1020, 1042,<br>1051, 1109, 3707.               |
| 363      | 19069    | Puller-Flywheel  | 635      | 66538S   | Boot-Spark Plug  | 925      | 691349   | Cover-Linkage   |
| 365      | 790029   | Screw<br>(Carburetor)  | 668      | 692889   | Spacer<br>(Cylinder)   | 957      | 497929S  | Cap-Fuel Tank   |
| 383      | 89838S   | Wrench-Spark Plug  | 670      | 691633   | Spacer-Fuel Tank   | 976      | 694394   | Primer-Carburetor<br>Label-Emissions<br>(Available From A Briggs & Stratton Authorized Dealer)            |
| 390      | 691839   | Spring-Choke<br>Diaphragm  | 689      | 691855   | Spring-Friction  | 1036     |          |   |
| 393      | 691837   | Screen-Carburetor  | 718      | 690959   | Pin-Locating<br>(Cylinder)   | 1058     | 277038   | Operator's Manual   |
| 394      | 795083   | Diaphragm-Carburetor   | 718A     | 499047   | Pin-Locating<br>(Crankshaft)<br>(Used Before Code Date 08071400).  | 1095     | 498526   | Gasket Set-Valve  |
| 426      | 691107   | Screw<br>(Governor Blade)  |          |          |  | 1210     | 499901   | Pulley/Spring<br>Assembly<br>(Pulley)   |
|          |          |  |          |          |  | 1211     | 499901   | Pulley/Spring<br>Assembly<br>(Spring)   |
|          |          |  |          |          |  | 1319     | 794467   | Label-Warning   |
|          |          |  |          |          |  | 1330     | 270962   | Repair Manual   |

Illustrations cover a range of engines. Parts shown without corresponding text may not be used on your specific engine.



Not for  
Reproduction

Not for  
Reproduction

Not for  
Reproduction

Not for  
Reproduction

