



Illustrated Parts List

Model Series

09L700

TYPE NUMBERS
0587, 1018.

TABLE OF CONTENTS

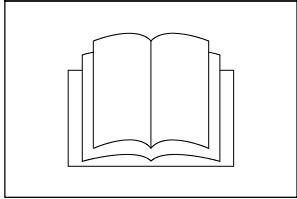
Air Cleaner	5
Blower Housing/Shrouds	6
Brake	5
Camshaft	3
Carburetor	4
Controls	5
Crankcase Cover/Sump	3
Crankshaft	3
Cylinder	2
Cylinder Head	2
Exhaust System	4
Flywheel	6
Fuel Supply	4
Gasket Set - Engine	3
Gasket Set - Valve	3
Governor Spring	5
Ignition	5
Lubrication	2
Operator's Manual	2
Piston/Rings/Connecting Rod	3
Rewind Starter	6
Warning Label	2

PRINTED IN U.S.A.

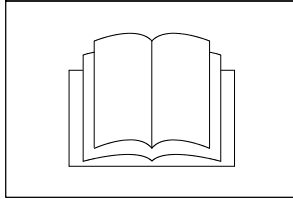


COPYRIGHT by BRIGGS & STRATTON CORPORATION
All rights reserved. No part of this material may be reproduced or transmitted, in any form or by any means, electronic or mechanical, including photocopying, recording or by any information storage and retrieval system, without permission in writing from Briggs & Stratton Corporation.

1058 OPERATOR'S MANUAL

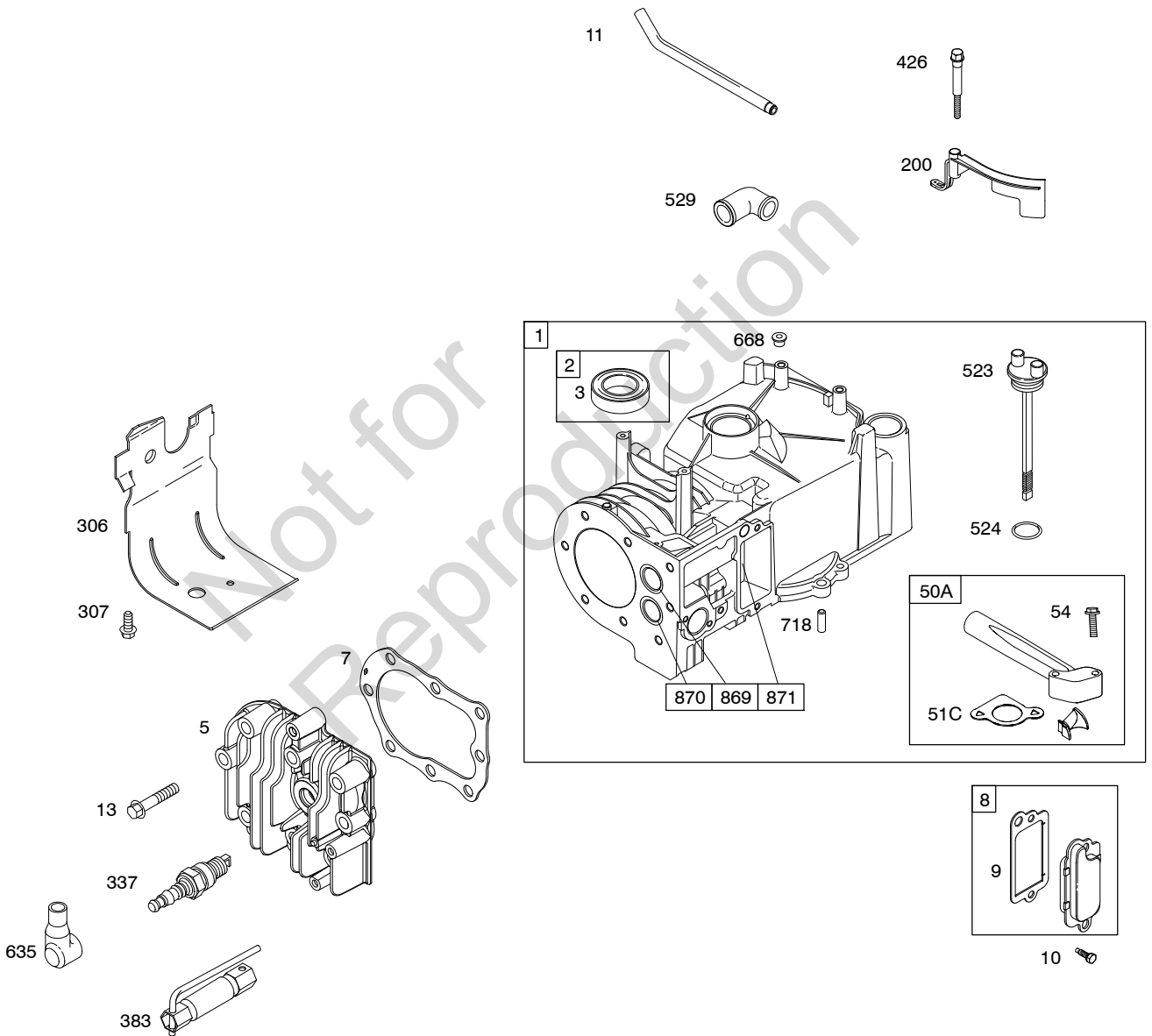


1330 REPAIR MANUAL

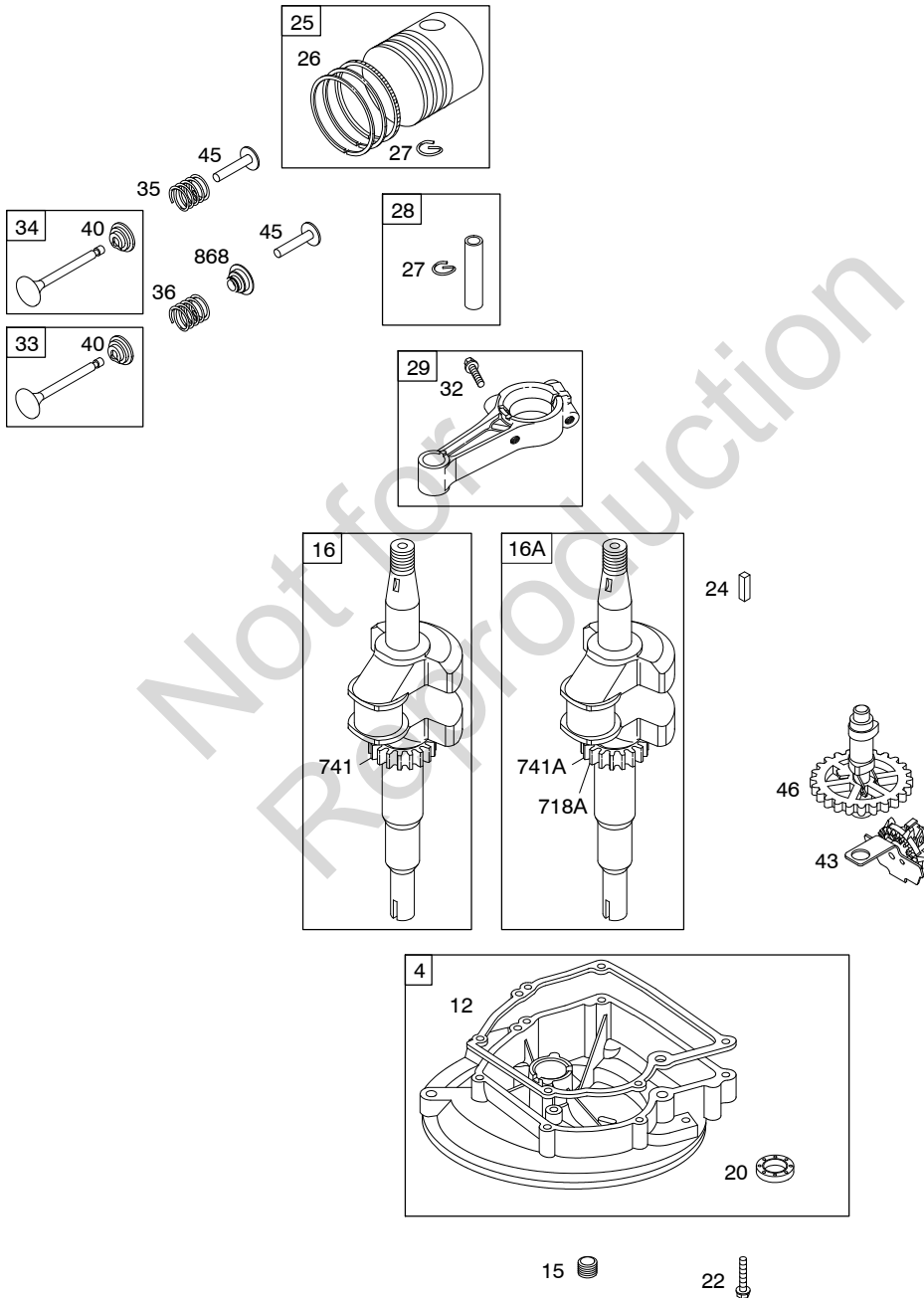
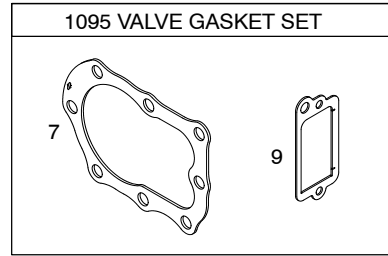
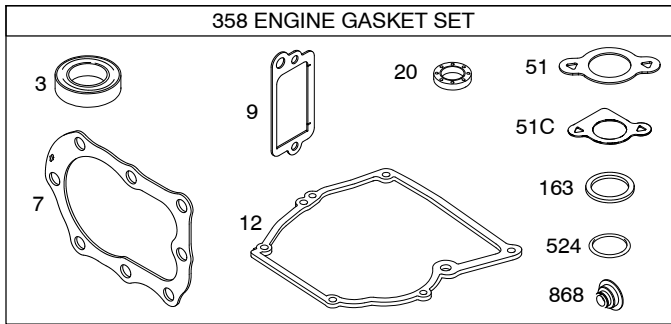


1319 WARNING LABEL

WARNING	
	Read and follow Operating Instructions before running engine.
	Gasoline is flammable. Allow engine to cool at least 2 minutes before refueling.
	Engines emit carbon monoxide, DO NOT run in enclosed area.
	Muffler area temperature may exceed 150°F. Do not touch hot parts.
REQUIRED when replacing parts with warning labels affixed.	

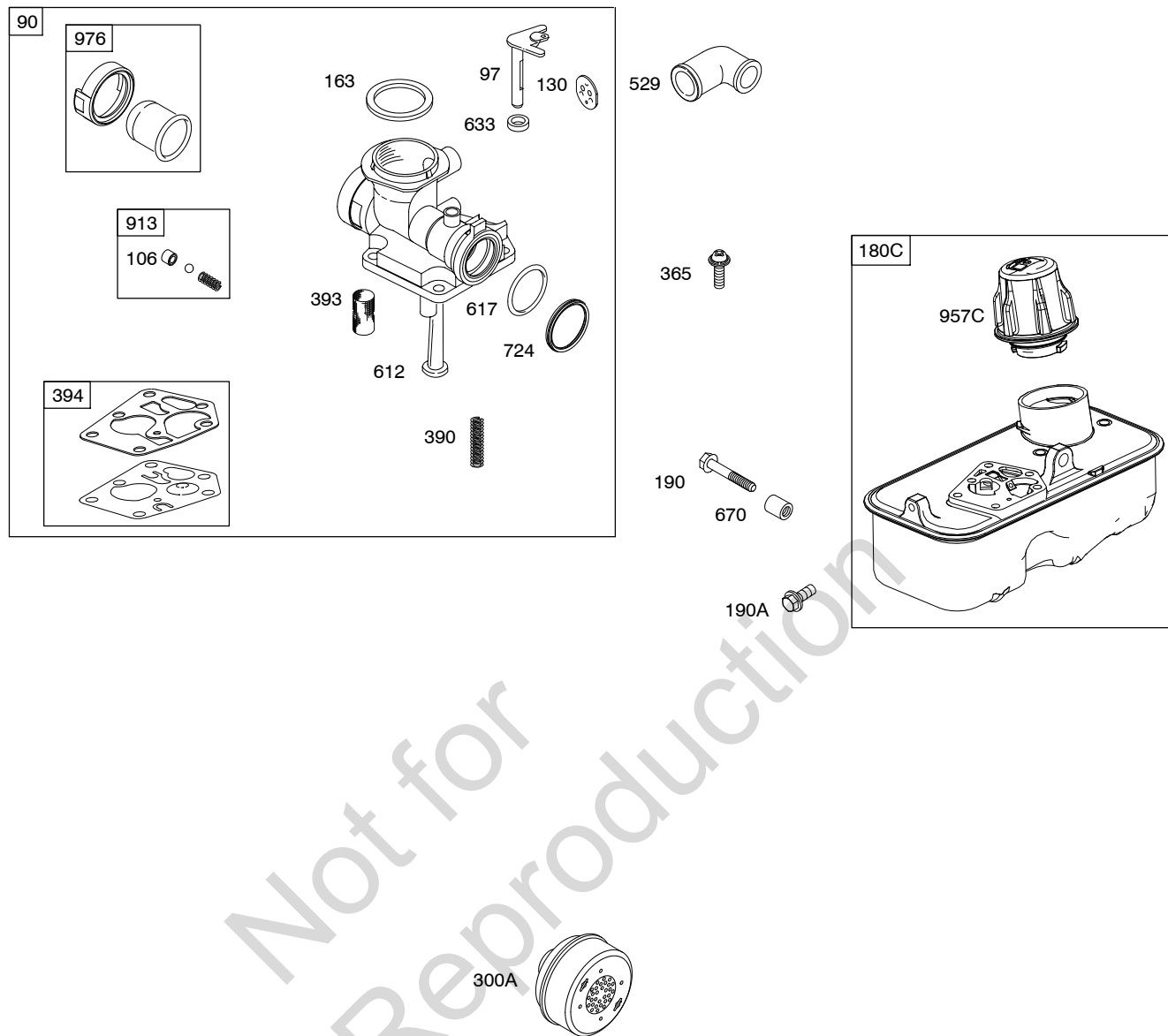


Illustrations cover a range of engines. Parts shown without corresponding text may not be used on your specific engine.
 3557-2 Assemblies include all parts shown in frames. 02/25/2009

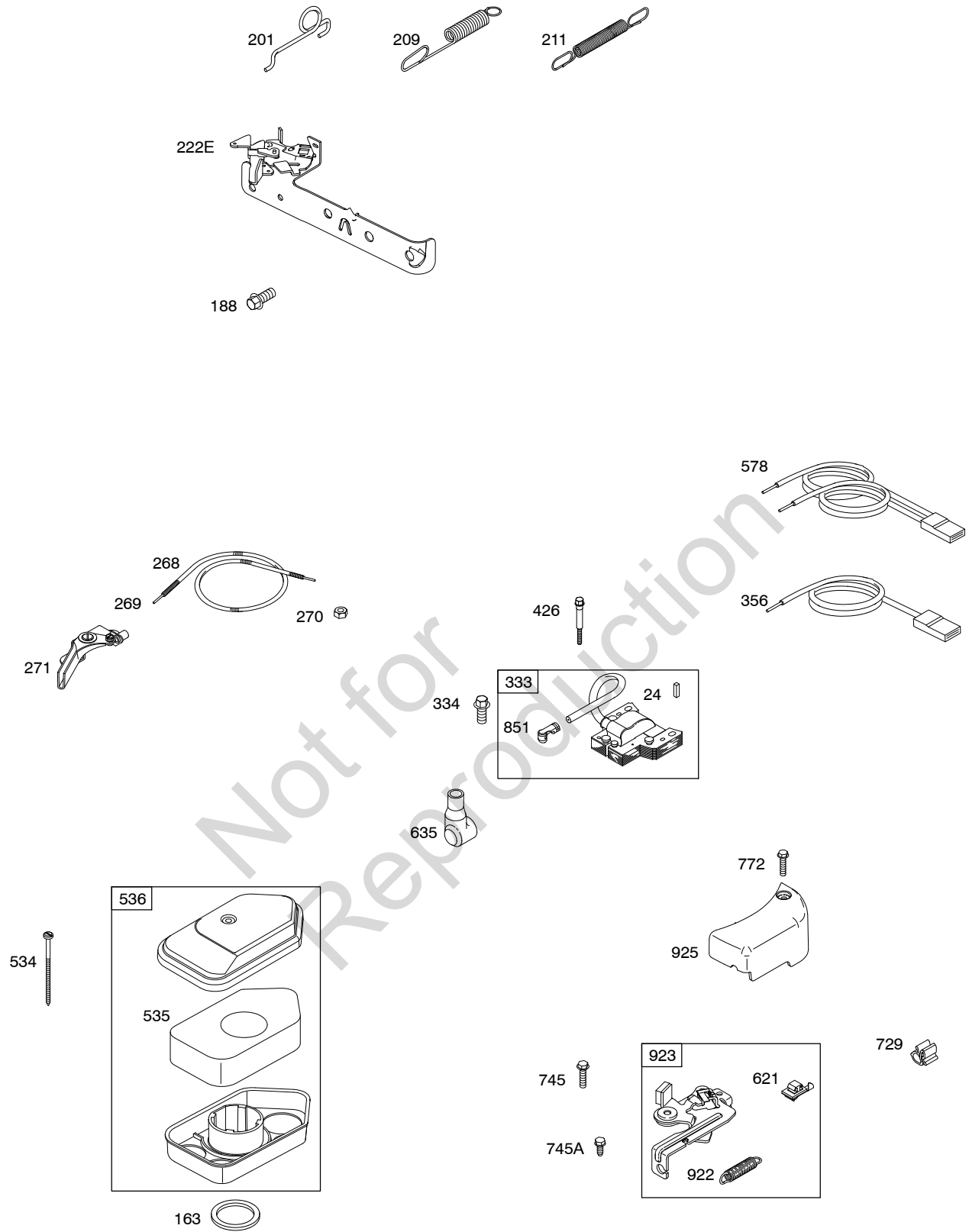


Illustrations cover a range of engines. Parts shown without corresponding text may not be used on your specific engine.
 3557-3 Assemblies include all parts shown in frames. 02/25/2009

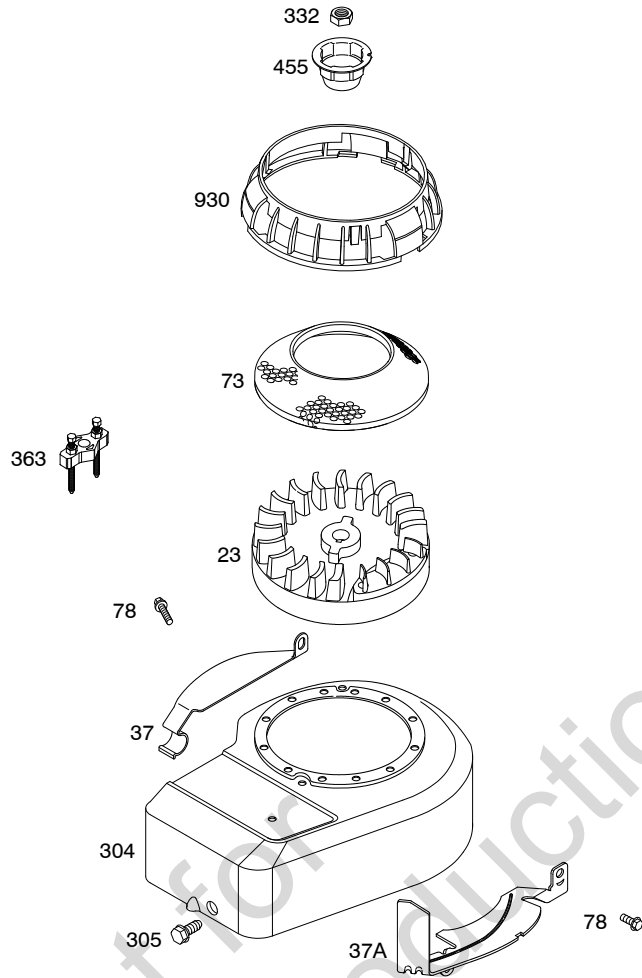
09L700



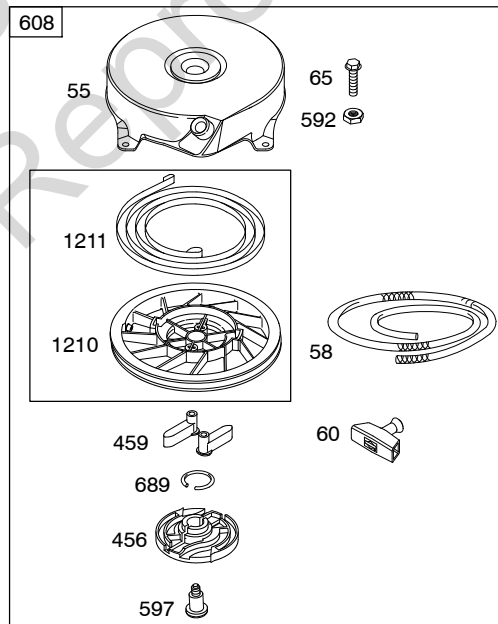
Not for
Reproduction



Illustrations cover a range of engines. Parts shown without corresponding text may not be used on your specific engine.
3557-5 Assemblies include all parts shown in frames. 02/25/2009



1036 EMISSIONS LABEL



Illustrations cover a range of engines. Parts shown without corresponding text may not be used on your specific engine.
3557-6 Assemblies include all parts shown in frames. 02/25/2009

REF. NO.	PART NO.	DESCRIPTION	REF. NO.	PART NO.	DESCRIPTION	REF. NO.	PART NO.	DESCRIPTION
1	699653	Cylinder Assembly	20	391483S	Seal-Oil (PTO Side)	60	691915	Grip-Starter Rope
2	399269	Kit-Bushing/Seal (Magneto Side)	22	692551	Screw (Crankcase Cover/Sump)	65	690837	Screw (Rewind Starter)
3	299819S	Seal-Oil (Magneto Side)	23	795549	Flywheel	73	699850	Screen-Rotating
4	698691	Sump-Engine	24	222698S	Key-Flywheel	78	692198	Screw (Flywheel Guard)
5	790169	Head-Cylinder	25	790908	Piston Assembly (Standard)	90	795474	Carburetor
7	698717	Gasket-Cylinder Head			----- Note -----	97	691931	Shaft-Throttle
8	791781	Breather Assembly			792532 Piston Assembly (.020" Oversize)	106	691901	Seat-Inlet
9	695890	Gasket-Breather				130	794060	Valve-Throttle
10	691666	Screw (Breather Assembly)				163	271139S	Gasket-Air Cleaner
11	691245	Tube-Breather	26	795132	Ring Set (Standard)	180C	795473	Tank-Fuel
12	692218	Gasket-Crankcase (.015" Thick) (Standard)			----- Note -----	188	692198	Screw (Control Bracket)
		----- Note -----			795134 Ring Set (.020" Oversize)	190	691640	Screw (Fuel Tank) (1 3/4" Long)
		270895 Gasket- Crankcase (.005" Thick)	27	691588	Lock-Piston Pin	190A	691108	Screw (Fuel Tank) (9/16" Long)
		270896 Gasket- Crankcase (.009" Thick)	28	699659	Pin-Piston	200	691912	Blade-Governor
13	691640	Screw (Cylinder Head)	29	699655	Rod-Connecting (Standard)	201	690347	Link-Air Vane
15	691680	Plug-Oil Drain	32	691664	Screw (Connecting Rod)	209	690251	Spring-Governor (Yellow) Used on Type No(s). 1018.
16	793062	Crankshaft (Used After Code Date 08071300). Used on Type No(s). 1018.	33	296676	Valve-Exhaust			----- Note -----
		----- Note -----	34	296677	Valve-Intake			691297 Spring- Governor (White) Used on Type No(s). 0587.
		692990 Crankshaft (Used After Code Date 08071300). Used on Type No(s). 0587.	35	690520	Spring-Valve (Intake)	211	691859	Spring-Governed Idle
		----- Note -----	36	690520	Spring-Valve (Exhaust)	222E	691446	Bracket-Control
		692990 Crankshaft (Used Before Code Date 08071400). Used on Type No(s). 1018.	37	690482	Guard-Flywheel (Carburetor Side)	268	691025	Casing-Control Wire (Cut to Required Length)
16A	793062	Crankshaft (Used Before Code Date 08071400). Used on Type No(s). 1018.	37A	691209	Guard-Flywheel (Muffler Side)	269	691026	Wire-Control (Cut to Required Length)
		----- Note -----	40	692194	Retainer-Valve	270	691027	Nut (Control Wire Casing)
		692990 Crankshaft (Used Before Code Date 08071400). Used on Type No(s). 0587.	43	698690	Slinger-Governor/Oil	271	691028	Lever-Control
		----- Note -----	45	691762	Tappet-Valve	300A	394569S	Muffler (Round Lo Tone)
		692990 Crankshaft (Used Before Code Date 08071400). Used on Type No(s). 0587.	46	691998	Camshaft	304	691484	Housing-Blower (Compliance Engines)
		----- Note -----	50A	792388	Manifold-Intake	305	692198	Screw (Blower Housing)
		692990 Crankshaft (Used Before Code Date 08071400). Used on Type No(s). 0587.	51	699649	Gasket-Intake			
		----- Note -----	51C	792389	Gasket-Intake			
		692990 Crankshaft (Used Before Code Date 08071400). Used on Type No(s). 0587.	54	691111	Screw (Intake Manifold)			
		----- Note -----	55	692144	Housing-Rewind Starter			
		692990 Crankshaft (Used Before Code Date 08071400). Used on Type No(s). 0587.	58	697316	Rope-Starter (88 5/8" Long)			

Illustrations cover a range of engines. Parts shown without corresponding text may not be used on your specific engine.

09L700

REF. NO.	PART NO.	DESCRIPTION	REF. NO.	PART NO.	DESCRIPTION	REF. NO.	PART NO.	DESCRIPTION
306	690400	Shield-Cylinder	597	691696	Screw (Pawl Friction Plate)	772	691111	Screw (Linkage Cover)
307	690345	Screw (Cylinder Shield)	608	499706	Starter-Rewind (88 5/8" Rope)	851	493880S	Terminal-Spark Plug
332	690662	Nut (Flywheel)	612	496046S	Tube-Pick Up	868	697338	Seat-Valve
333	793281	Armature-Magneto (Slide On Spark Plug Boot)	617	270344S	Seal-O Ring (Intake Manifold)	869	699641	Seat-Valve (Intake)
334	691061	Screw (Magneto Armature)	621	692310	Switch-Stop	870	699642	Seat-Valve (Exhaust)
337	802592S	Plug-Spark	633	691321	Seal-Choke/Throttle Shaft (Throttle)	871	699643	Bushing-Valve Guide (Exhaust Valve)
356	692390	Wire-Stop	635	66538S	Boot-Spark Plug (Slip On Style)	----- Note -----		
358	794209	Gasket Set-Engine	668	692889	Spacer (Cylinder)	63709		Bushing-Valve Guide (Intake Valve)
363	19069	Puller-Flywheel	670	691633	Spacer-Fuel Tank	913	494409	Seat-Check Valve
365	790029	Screw (Carburetor)	689	691855	Spring-Friction	922	692135	Spring-Brake
383	89838S	Wrench-Spark Plug	718	690959	Pin-Locating (Cylinder)	923	691487	Brake
390	691839	Spring-Choke Diaphragm	718A	499047	Pin-Locating (Crankshaft) (Used Before Code Date 08071400).	925	691349	Cover-Linkage
393	691837	Screen-Carburetor				930	691348	Guard-Rewind Used on Type No(s). 0587.
394	795478	Diaphragm-Carburetor	724	697478	Retainer-Seal	957C	795472	Cap-Fuel Tank
426	691107	Screw (Governor Blade)	729	690586	Clip-Wire	976	694394	Primer-Carburetor
455	691236	Cup-Flywheel	741	796210	Gear-Timing (Used After Code Date 08071300).	1036		Label-Emissions (Available From A Briggs & Stratton Authorized Dealer)
456	692299	Plate-Pawl Friction	741A	691805	Gear-Timing (Used Before Code Date 08071400).	1058	277038	Manual-Operator's
459	281505S	Pawl-Ratchet				1095	498526	Gasket Set-Valve
523	691913	Dipstick	745	691146	Screw (Brake) (7/8" Long)	1210	499901	Pulley/Spring Assembly (Pulley)
524	691876	Seal-Dipstick Tube	745A	690859	Screw (Brake) (1/2" Long)	1211	499901	Pulley/Spring Assembly (Spring)
529	692189	Grommet				1319	794467	Label-Warning
534	691417	Screw (Air Cleaner)				1330	270962	Repair Manual
535	698369	Filter-Air Cleaner Foam						
536	698472	Cleaner-Air						
578	398153	Wire Assembly						
592	690800	Nut (Rewind Starter)						

Illustrations cover a range of engines. Parts shown without corresponding text may not be used on your specific engine.
 3557-8 Assemblies include all parts shown in frames. 02/25/2009

Not for
Reproduction

Not for
Reproduction

Not for
Reproduction

Not for
Reproduction

