



Illustrated Parts List

Model Series

09K900

TYPE NUMBERS
0100, 0323.

TABLE OF CONTENTS

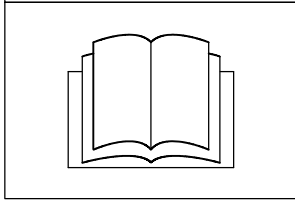
Air Cleaner	5
Blower Housing/Shrouds	6
Brake	5
Camshaft	3
Carburetor	4
Controls	5
Crankcase Cover/Sump	3
Crankshaft	3
Cylinder	2
Cylinder Head	2
Exhaust System	5
Flywheel	6
Fuel Supply	4
Gasket Set - Engine	2
Gasket Set - Valve	2
Governor Spring	5
Ignition	5
Lubrication	2
Operator's Manual	2
Piston/Rings/Connecting Rod	3
Rewind Starter	6
Warning Label	2



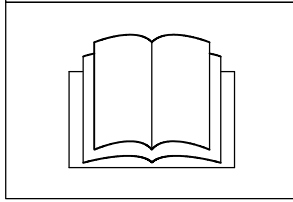
PRINTED IN U.S.A.

COPYRIGHT by BRIGGS & STRATTON CORPORATION
All rights reserved. No part of this material may be reproduced or transmitted, in any form or by any means, electronic or mechanical, including photocopying, recording or by any information storage and retrieval system, without permission in writing from Briggs & Stratton Corporation.

1058 OPERATOR'S MANUAL



1330 REPAIR MANUAL

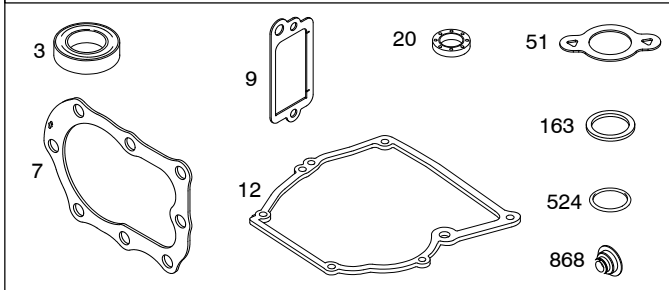


1319 WARNING LABEL

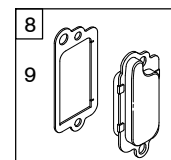
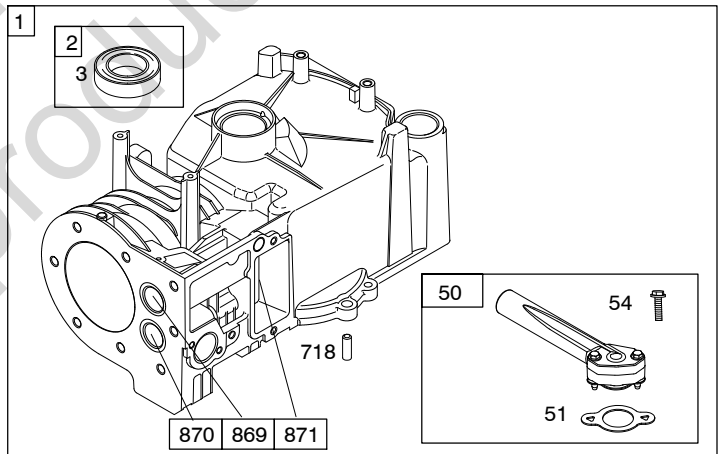
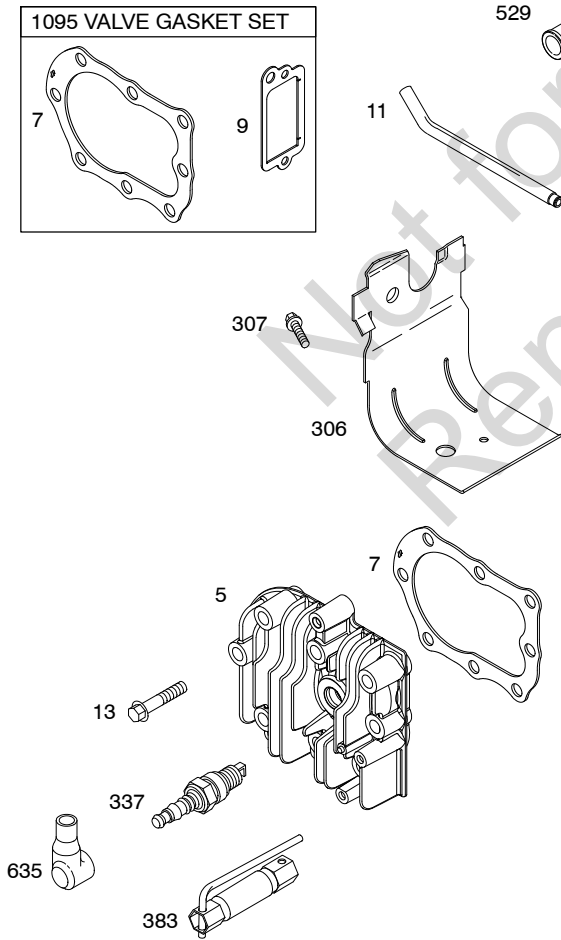
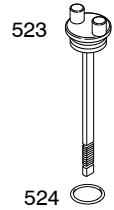
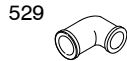
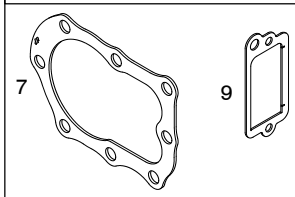
WARNING	
	Read and follow Operating Instructions before running engine.
	Gasoline is flammable. Allow engine to cool at least 2 minutes before refueling.
	Engines emit carbon monoxide, DO NOT run in enclosed area.
	Muffler area temperature may exceed 150°F. Do not touch hot parts.

REQUIRED when replacing parts with warning labels affixed.

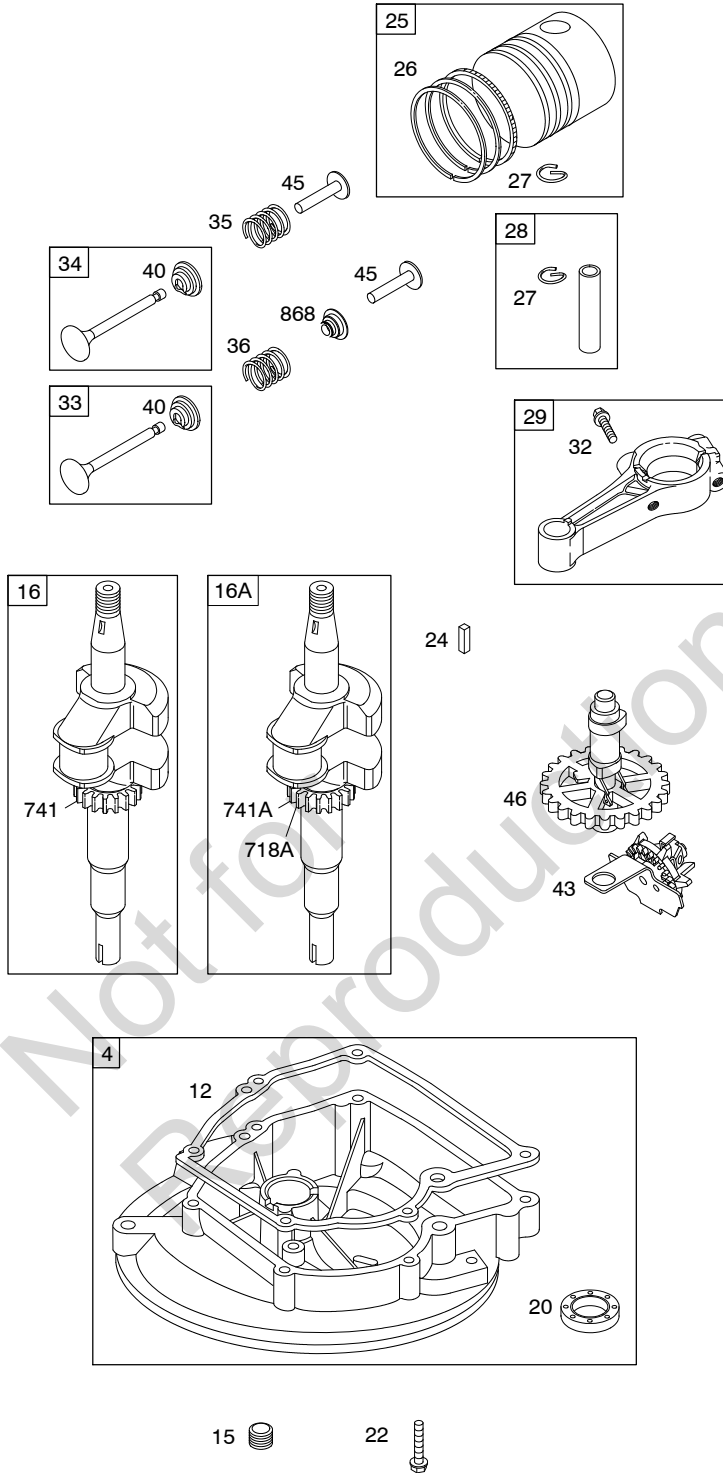
358 ENGINE GASKET SET



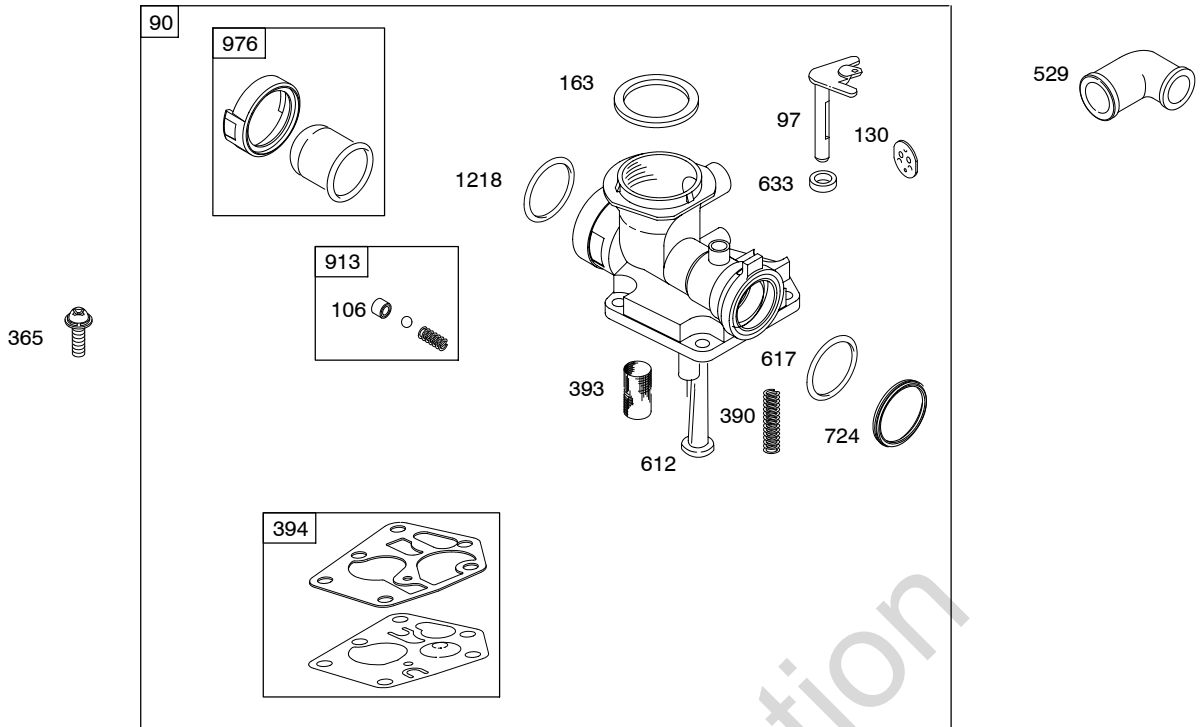
1095 VALVE GASKET SET



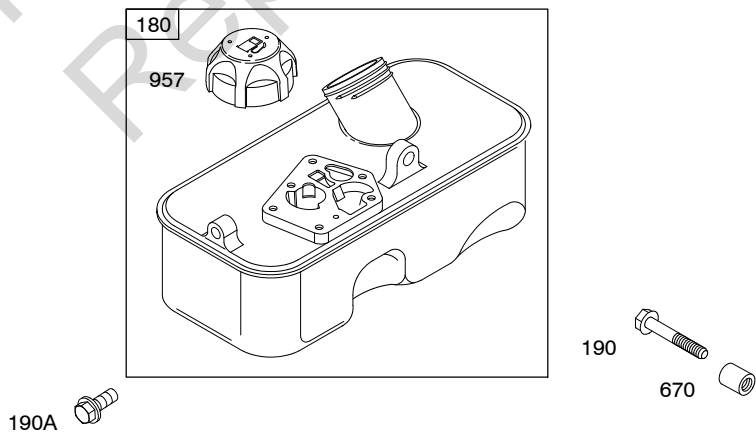
Illustrations cover a range of engines. Parts shown without corresponding text may not be used on your specific engine.

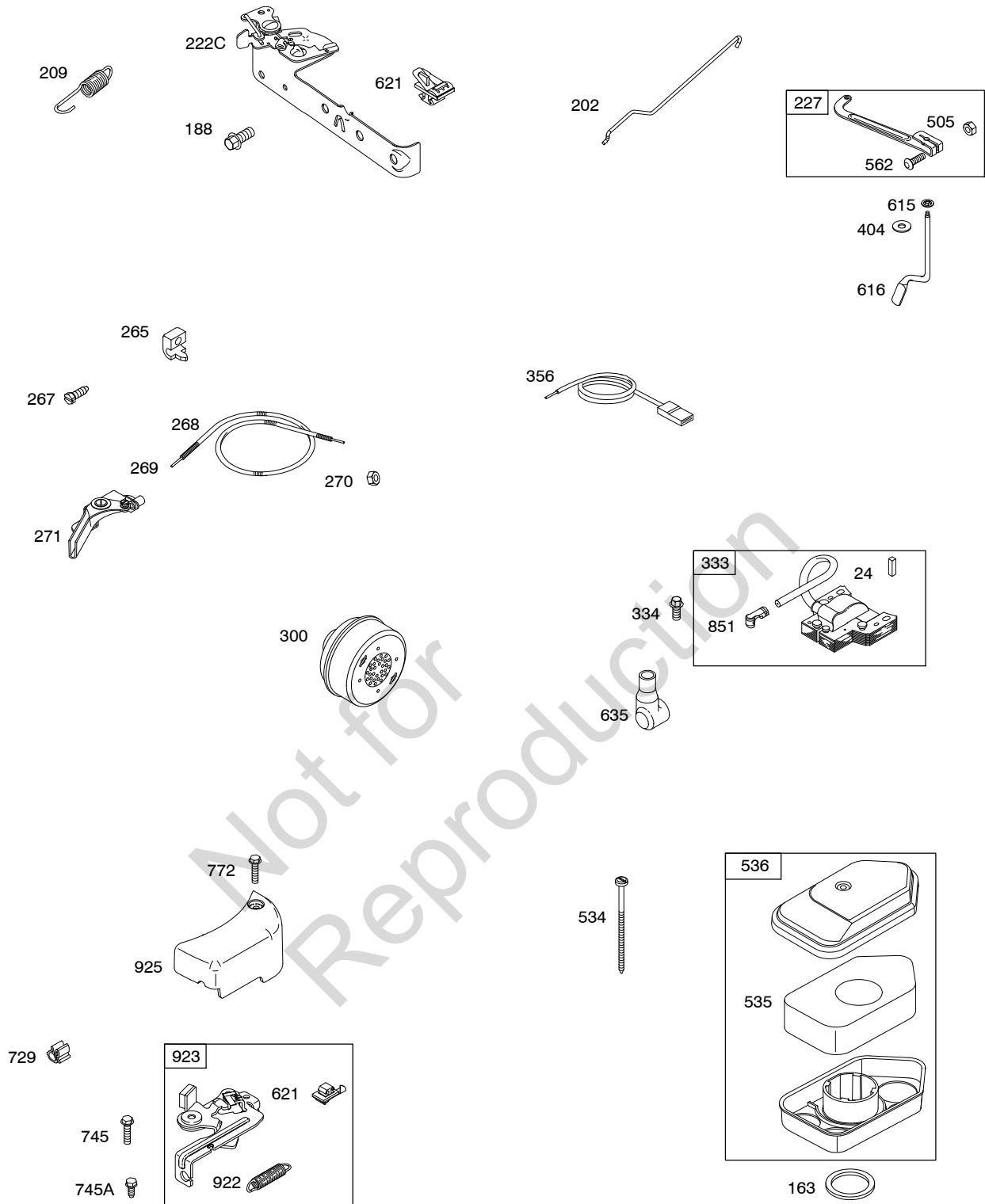


Illustrations cover a range of engines. Parts shown without corresponding text may not be used on your specific engine.
5806-3 **Assemblies include all parts shown in frames.** 02/26/2009

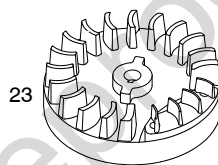
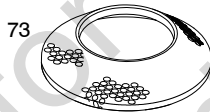
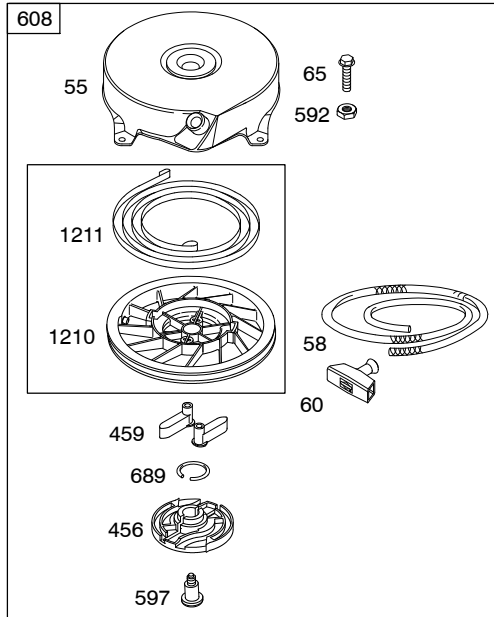


Not for Reproduction

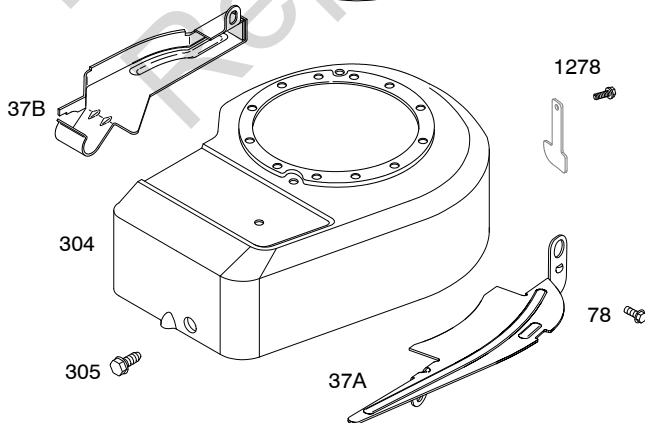




Illustrations cover a range of engines. Parts shown without corresponding text may not be used on your specific engine.
 5806-5 Assemblies include all parts shown in frames. 02/26/2009



1036 EMISSIONS LABEL



09K900

REF. NO.	PART NO.	DESCRIPTION	REF. NO.	PART NO.	DESCRIPTION	REF. NO.	PART NO.	DESCRIPTION
1	699650	Cylinder Assembly	23	795549	Flywheel	27	691588	Lock-Piston Pin
2	399269	Kit-Bushing/Seal (Magneto Side)	24	222698S	Key-Flywheel	28	699659	Pin-Piston
3	299819S	Seal-Oil (Magneto Side)	25	790908	Piston Assembly (Standard) (Used After Code Date 04111400).	29	699655	Rod-Connecting (Used After Code Date 03093000).
4	698691	Sump-Engine	----- Note -----			----- Note -----		
5	790169	Head-Cylinder	699657 Piston			699654 Rod-Connecting		
7	698717	Gasket-Cylinder Head	Assembly (Standard) (Used After Code Date 03072700 and Before Code Date 04111500).			(Standard) (Used After Code Date 03072700 and Before Code Date 03100100).		
8	791781	Breather Assembly	699656 Piston			Screw (Connecting Rod)		
9	695890	Gasket-Breather	Assembly (Standard) (Used Before Code Date 03072800).			33 296676 Valve-Exhaust		
10	691666	Screw (Breather Assembly)	792532 Piston			34 296677 Valve-Intake		
11	691245	Tube-Breather	Assembly (.020" Oversize) (Used After Code Date 04111400).			35 690520 Spring-Valve (Intake)		
12	692218	Gasket-Crankcase (.015" Thick) (Standard) ----- Note ----- 270895 Gasket-Crankcase (.005" Thick) 270896 Gasket-Crankcase (.009" Thick)	26 795132 Ring Set (Standard) (Used After Code Date 04111400).			36 690520 Spring-Valve (Exhaust)		
13	691640	Screw (Cylinder Head)	----- Note ----- 699658 Ring Set (Standard) (Used After Code Date 03072700 and Before Code Date 04111500).			37A 793748 Guard-Flywheel (Muffler Side)		
15	691680	Plug-Oil Drain	498680 Ring Set (Used Before Code Date 03072800).			37B 697403 Guard-Flywheel (Carburetor Side)		
16	796212	Crankshaft (Used After Code Date 08071300). Used on Type No(s). 0100.	795134 Ring Set (.020" Oversize) (Used After Code Date 04111400).			40 692194 Retainer-Valve		
16A	793062	Crankshaft Used on Type No(s). 0323. ----- Note ----- 692990 Crankshaft (Used Before Code Date 08071400). Used on Type No(s). 0100.	498682 Ring Set (.020" Oversize) (Used Before Code Date 03072800).			43 697799 Slinger-Governor/Oil		
20	391483S	Seal-Oil (PTO Side)	795134 Ring Set (.020" Oversize) (Used After Code Date 04111400).			45 691762 Tappet-Valve		
22	692551	Screw (Crankcase Cover/Sump)	795134 Ring Set (.020" Oversize) (Used Before Code Date 03072800).			46 691998 Camshaft		
			795134 Ring Set (.020" Oversize) (Used Before Code Date 03072800).			50 699644 Manifold-Intake		
			795134 Ring Set (.020" Oversize) (Used Before Code Date 03072800).			51 699649 Gasket-Intake		
			795134 Ring Set (.020" Oversize) (Used Before Code Date 03072800).			54 691111 Screw (Intake Manifold)		
			795134 Ring Set (.020" Oversize) (Used Before Code Date 03072800).			55 692144 Housing-Rewind Starter		
			795134 Ring Set (.020" Oversize) (Used Before Code Date 03072800).			58 697316 Rope-Starter (88 5/8" Long) Used on Type No(s). 0100, 0323.		
			795134 Ring Set (.020" Oversize) (Used Before Code Date 03072800).			60 691915 Grip-Starter Rope		
			795134 Ring Set (.020" Oversize) (Used Before Code Date 03072800).			65 690837 Screw (Rewind Starter)		
			795134 Ring Set (.020" Oversize) (Used Before Code Date 03072800).			73 699850 Screen-Rotating		
			795134 Ring Set (.020" Oversize) (Used Before Code Date 03072800).			78 692198 Screw (Flywheel Guard)		

Illustrations cover a range of engines. Parts shown without corresponding text may not be used on your specific engine.
 5806-7 Assemblies include all parts shown in frames. 02/26/2009

09K900

REF. NO.	PART NO.	DESCRIPTION	REF. NO.	PART NO.	DESCRIPTION	REF. NO.	PART NO.	DESCRIPTION
90	790206	Carburetor	300	394569S	Muffler (Round Lo Tone)	536	698472	Cleaner-Air
97	697414	Shaft-Throttle			Used on Type No(s). 0100, 0323.	562	92613	Bolt (Governor Control Lever)
106	691901	Seat-Inlet	304	698046	Housing-Blower	592	690800	Nut (Rewind Starter)
130	691190	Valve-Throttle	305	692198	Screw (Blower Housing)	597	691696	Screw (Pawl Friction Plate)
163	271139S	Gasket-Air Cleaner	306	690400	Shield-Cylinder (Used Before Code Date 06101100).	608	499706	Starter-Rewind Used on Type No(s). 0100, 0323.
180	494406	Tank-Fuel	307	690345	Screw (Cylinder Shield) (Used Before Code Date 06101100).	612	496046S	Tube-Pick Up
188	692198	Screw (Control Bracket)	332	690662	Nut (Flywheel)	615	690340	Retainer-Governor Shaft
190	691640	Screw (Fuel Tank) (To Cylinder)	333	793281	Armature-Magneto	616	697405	Crank-Governor
190A	691108	Screw (Fuel Tank) (9/16" Long)	334	691061	Screw (Magneto Armature)	617	270344S	Seal-O Ring (Intake Manifold)
202	698835	Link-Mechanical Governor	337	802592S	Plug-Spark Used on Type No(s). 0100, 0323.	621	692310	Switch-Stop
209	698726	Spring-Governor (Pink) Used on Type No(s). 0323.	356	692390	Wire-Stop	633	691321	Seal-Choke/Throttle Shaft (Throttle)
		----- Note ----- 698719 Spring- Governor (Light Blue) Used on Type No(s). 0100.	358	794209	Gasket Set-Engine	635	66538S	Boot-Spark Plug Used on Type No(s). 0100, 0323.
222C	697410	Bracket-Control Used on Type No(s). 0100, 0323.	363	19069	Puller-Flywheel	670	691633	Spacer-Fuel Tank
227	697402	Lever-Governor Control	365	790029	Screw (Carburetor)	689	691855	Spring-Friction
265	690798	Clamp-Casing Used on Type No(s). 0100.	383	89838S	Wrench-Spark Plug	718	690959	Pin-Locating (Cylinder)
267	691044	Screw (Casing Clamp) Used on Type No(s). 0100.	390	691839	Spring-Choke Diaphragm	718A	499047	Pin-Locating (Crankshaft) (Used Before Code Date 08071400).
268	691025	Casing-Control Wire (Cut To Required Length)	393	691837	Screen-Carburetor	724	697478	Retainer-Seal
269	691026	Wire-Control (Cut To Required Length)	394	795083	Diaphragm-Carburetor	729	690586	Clip-Wire
270	691027	Nut (Control Wire Casing)	404	690272	Washer (Governor Crank)	741	796210	Gear-Timing (Used After Code Date 08071300).
271	691028	Lever-Control	455	691236	Cup-Flywheel	741A	691805	Gear-Timing (Used Before Code Date 08071400).
			456	692299	Plate-Pawl Friction	745	691146	Screw (Brake) (7/8" Long)
			459	281505S	Pawl-Ratchet	745A	690859	Screw (Brake) (1/2" Long)
			505	691251	Nut (Governor Control Lever)			
			523	691913	Dipstick			
			524	691876	Seal-Dipstick Tube			
			529	692189	Grommet			
			534	691417	Screw (Air Cleaner)			
			535	698369	Filter-Air Cleaner Foam			

Illustrations cover a range of engines. Parts shown without corresponding text may not be used on your specific engine.

09K900

REF. NO.	PART NO.	DESCRIPTION	REF. NO.	PART NO.	DESCRIPTION	REF. NO.	PART NO.	DESCRIPTION
772	691111	Screw (Linkage Cover)	913	494409	Seat-Check Valve	1210	499901	Pulley/Spring Assembly
851	493880S	Terminal-Spark Plug	922	692135	Spring-Brake			(Pulley)
868	697338	Seal-Valve	923	691487	Brake	1211	499901	Pulley/Spring Assembly
869	699641	Seal-Valve (Intake)	925	691349	Cover-Linkage Used on Type No(s). 0100, 0323.			(Spring)
870	699642	Seal-Valve (Exhaust)	957	497929S	Cap-Fuel Tank	1218	695866	Seal-O Ring (Carburetor)
871	699643	Bushing-Valve Guide (Exhaust Valve)	976	694394	Primer-Carburetor	1278	691002	Screw (Governor Guard Nut)
		----- Note -----	1036		Label-Emissions (Available From A Briggs & Stratton Authorized Dealer)			(Used Before Code Date 05121300).
		63709 Bushing-Valve Guide (Intake Valve)	1058	277038	Operator's Manual	1319	794467	Label-Warning
			1095	498526	Gasket Set-Valve	1330	270962	Repair Manual

Not for
Reproduction

Not for
Reproduction

Not for
Reproduction

Not for
Reproduction

